

US00D409610S

United States Patent [19]
Zeitman

[11] **Patent Number: Des. 409,610**

[45] **Date of Patent: ** May 11, 1999**

[54] **CASSETTE PLAYER**

[75] Inventor: **Josh Zeitman**, Brooklyn, N.Y.

[73] Assignee: **Lenox Electronics Corp.**

[**] Term: **14 Years**

[21] Appl. No.: **29/053,496**

[22] Filed: **Apr. 24, 1996**

[51] **LOC (6) Cl.** **14-01**

[52] **U.S. Cl.** **D14/165; D14/168**

[58] **Field of Search** D14/160-168,
D14/188, 260; D21/111-113; 455/344,
350, 351

[56] **References Cited**

U.S. PATENT DOCUMENTS

D. 290,843	7/1987	Murphy	D14/196 X
D. 304,832	11/1989	Murphy	D14/165
D. 320,016	9/1991	Pang	D14/163
D. 350,132	8/1994	Klitsner et al.	D14/168 X

D. 363,484 10/1995 Klitsner et al. D14/198 X

Primary Examiner—Sandra L. Morris

Assistant Examiner—Nanda Bondade

Attorney, Agent, or Firm—Burns, Doane, Swecker & Mathis, L.L.P.

[57] **CLAIM**

The ornamental design for a “cassette player”, as shown and described.

DESCRIPTION

FIG. 1 is a perspective view of a “cassette player” showing my new design;

FIG. 2 is a front view thereof;

FIG. 3 is a rear view thereof;

FIG. 4 is a left side elevational view thereof;

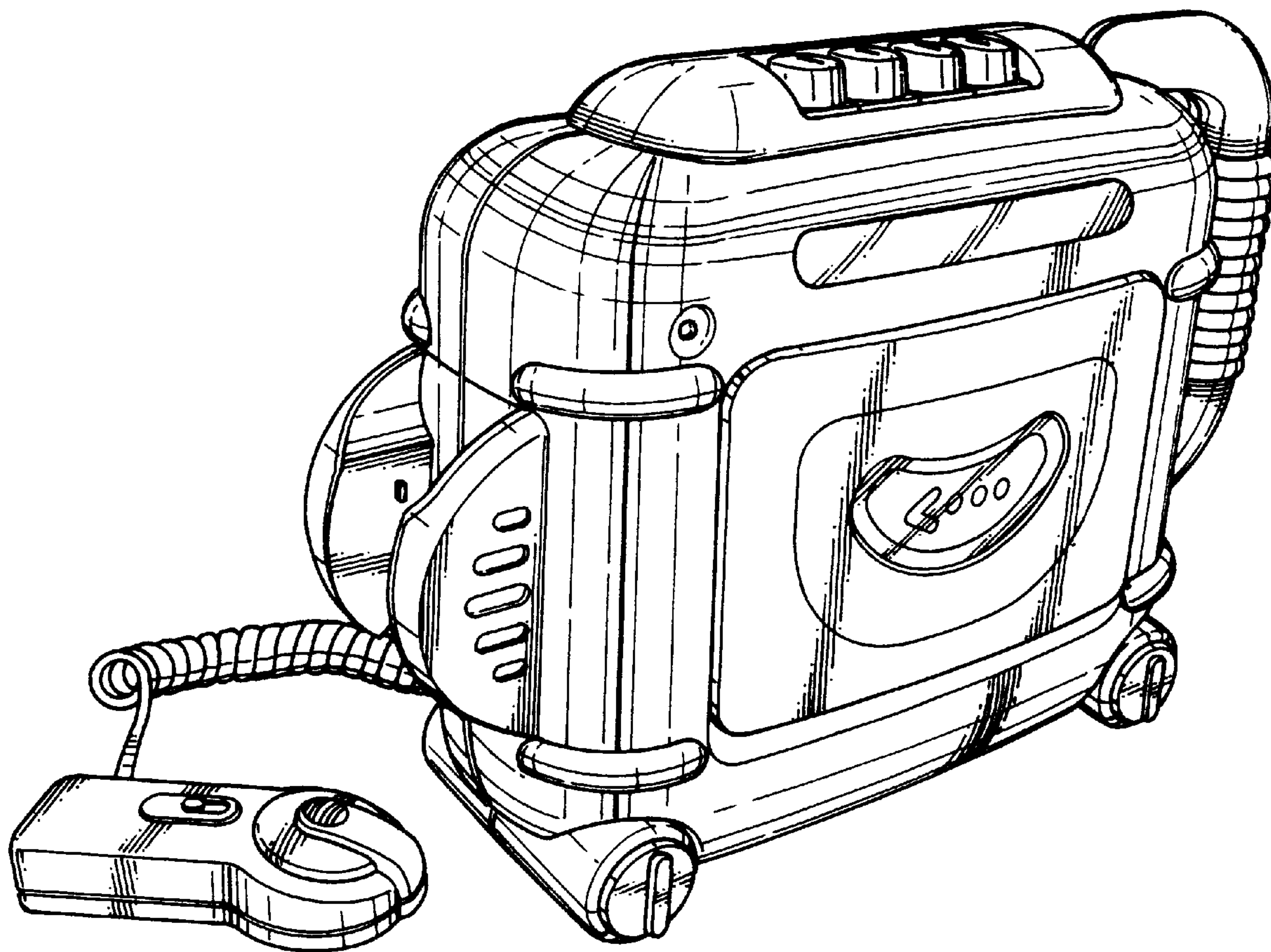
FIG. 5 is a right side elevational view thereof;

FIG. 6 is a top plan view thereof; and,

FIG. 7 is a bottom plan view thereof.

FIG. 1 shows the microphone in an alternate position for clarity of illustration.

1 Claim, 4 Drawing Sheets



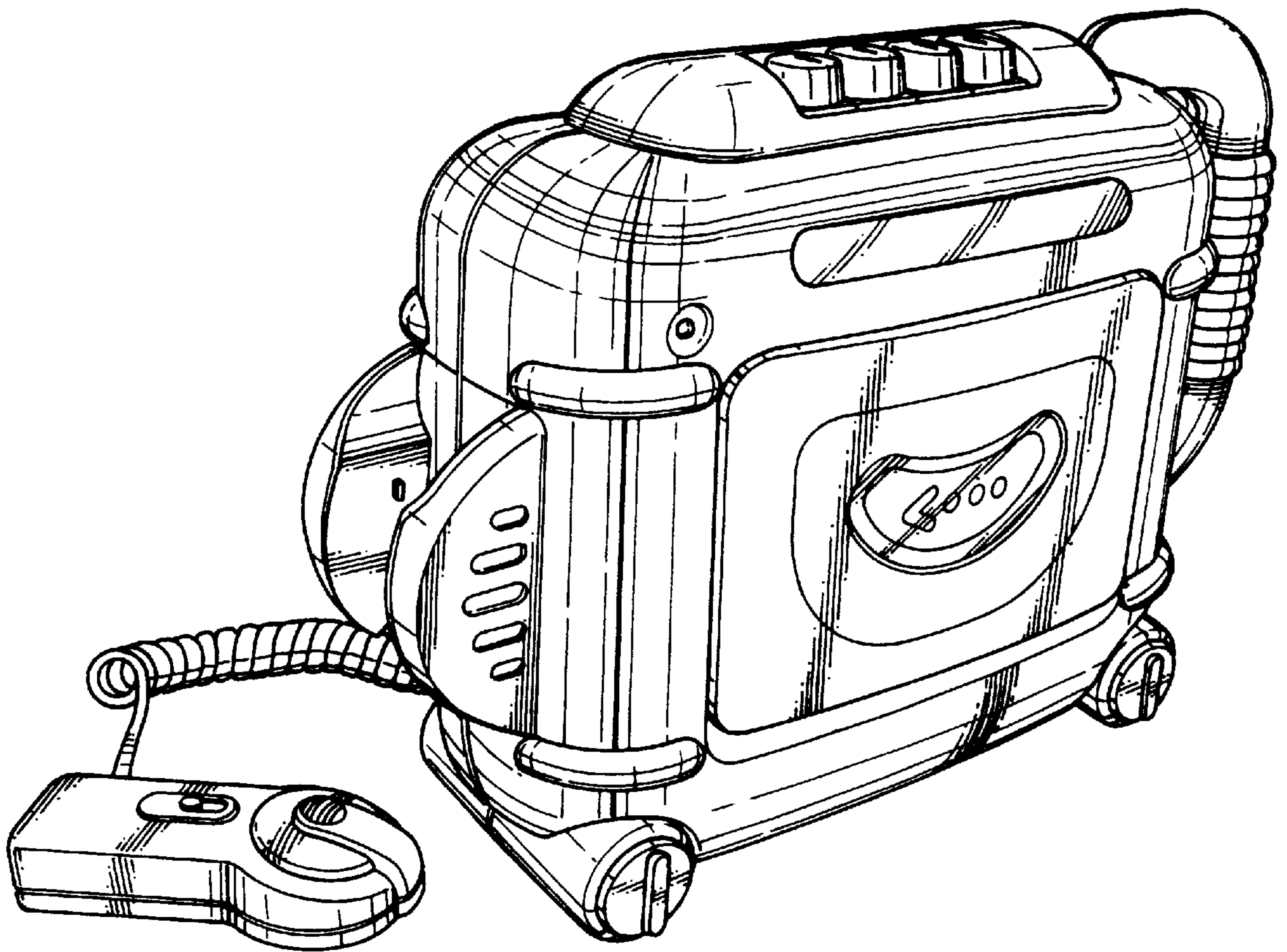


FIG. 1

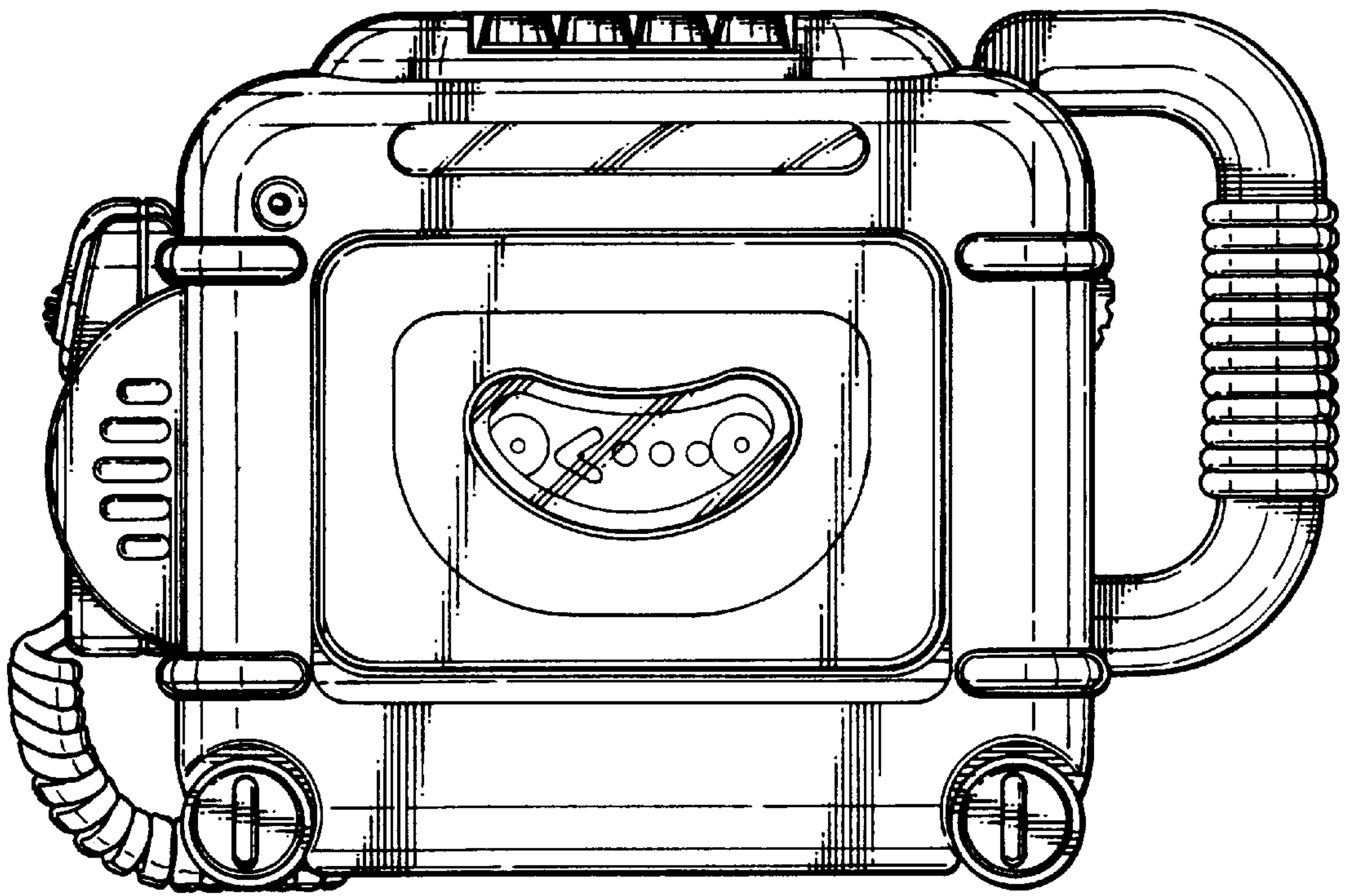


FIG. 2

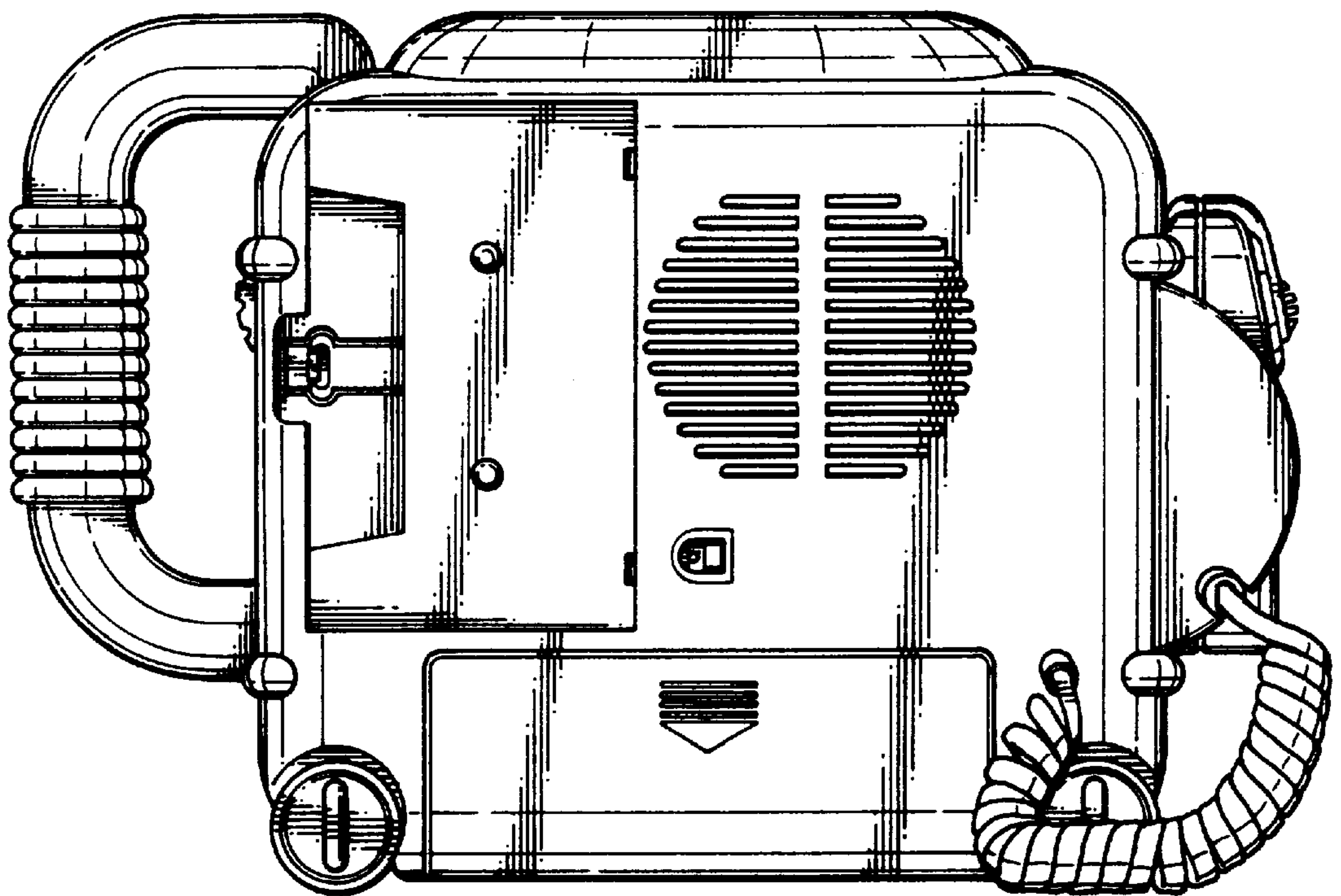


FIG. 3

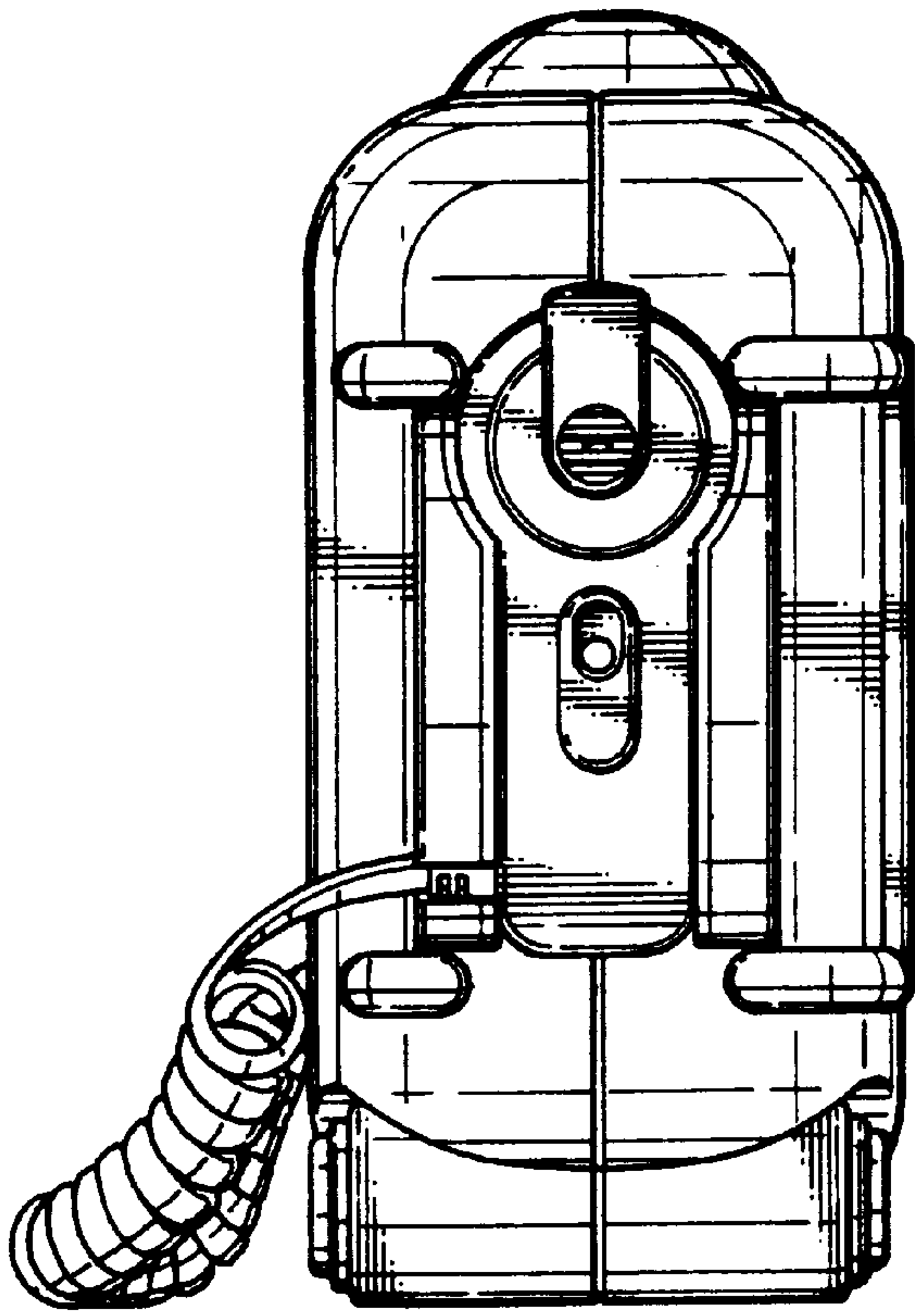


FIG. 4

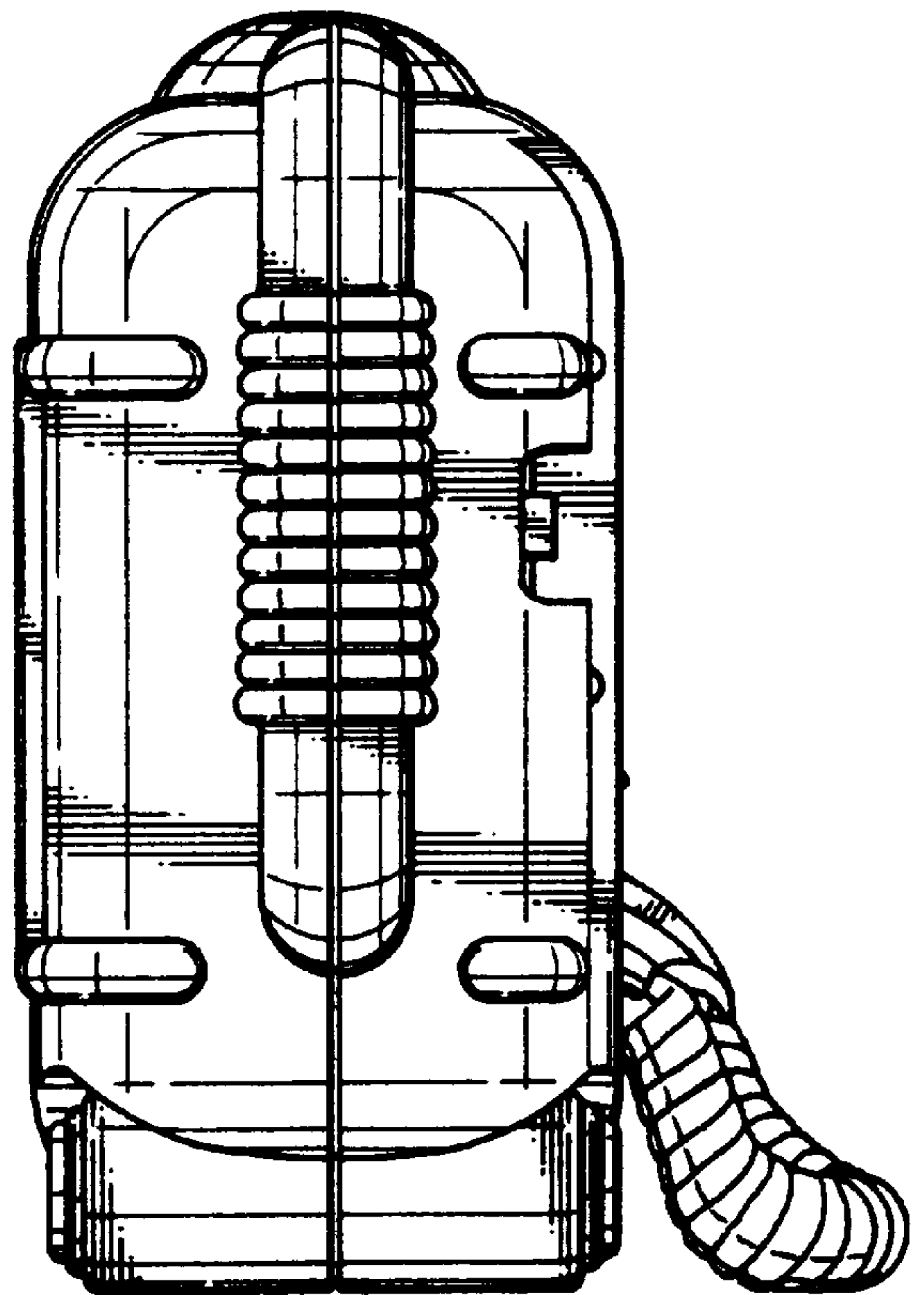


FIG. 5

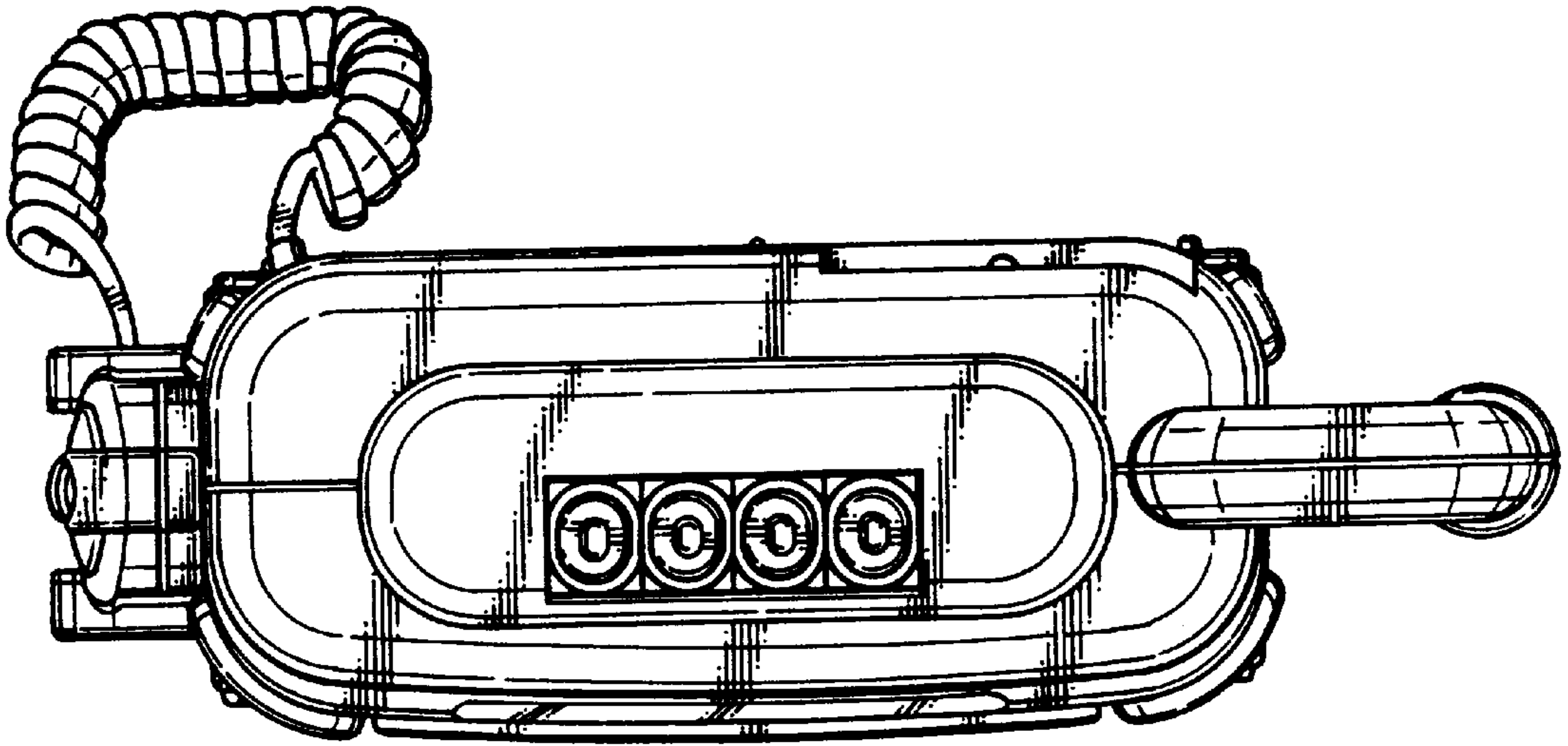


FIG. 6

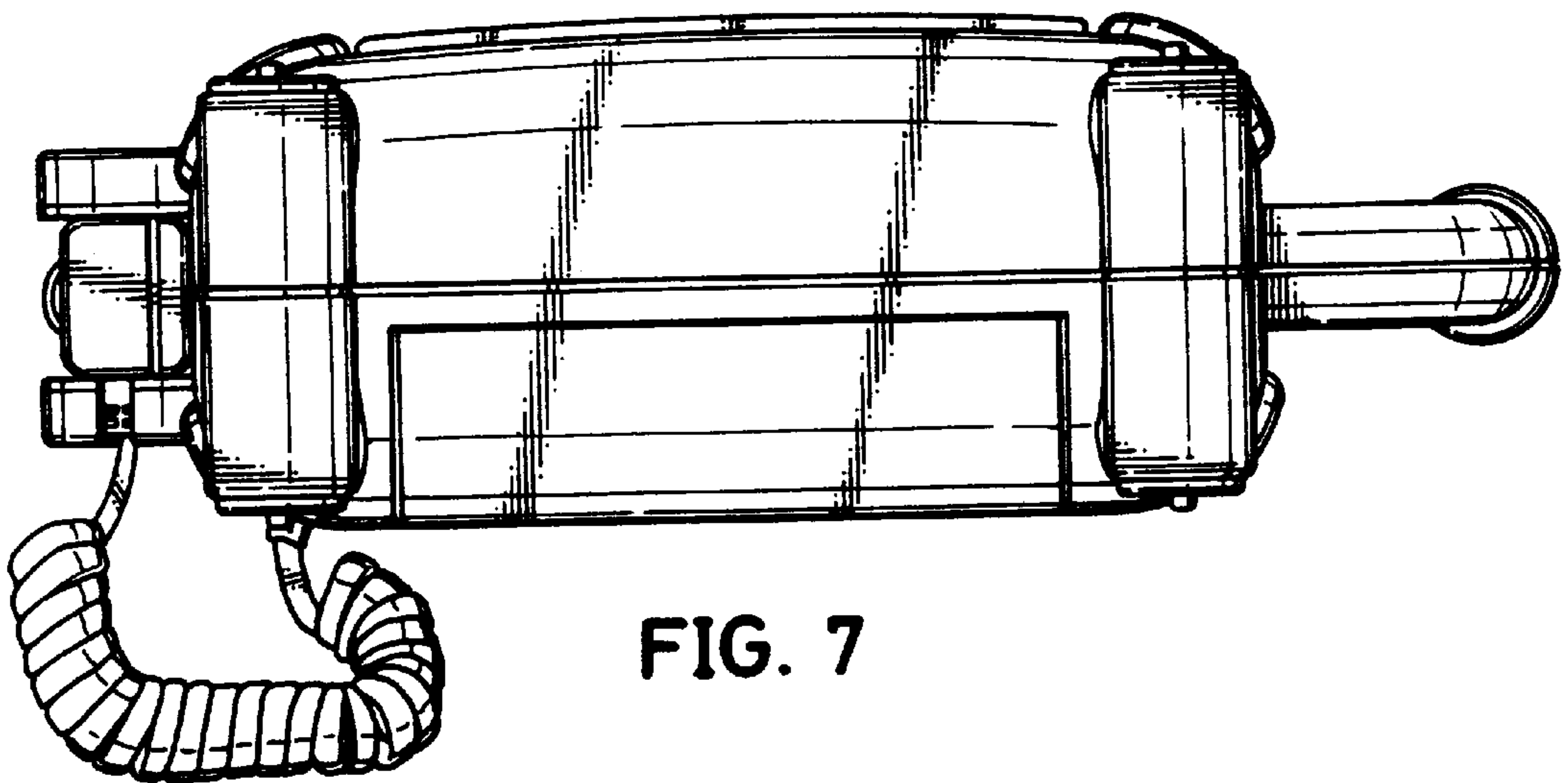


FIG. 7