



US00D409609S

United States Patent [19] Goto

[11] **Patent Number: Des. 409,609**

[45] **Date of Patent: ** May 11, 1999**

[54] **DISC PLAYER**

[75] Inventor: **Teiyu Goto**, Tokyo, Japan

[73] Assignee: **Sony Corporation**, Tokyo, Japan

[**] Term: **14 Years**

[21] Appl. No.: **29/086,451**

[22] Filed: **Apr. 14, 1998**

[30] **Foreign Application Priority Data**

Oct. 14, 1997 [JP] Japan 9-71378

[51] **LOC (6) Cl.** **14-01**

[52] **U.S. Cl.** **D14/156**

[58] **Field of Search** D14/135, 136,
D14/156, 157, 160, 257, 258; 369/75.1,
75.2, 77.1, 77.2

[56] **References Cited**

U.S. PATENT DOCUMENTS

D. 350,957	9/1994	Sakata et al.	D14/156
D. 368,908	4/1996	Ikenaga	D14/156
D. 371,357	7/1996	Nakamura	D14/136
D. 371,362	7/1996	Deguchi	D14/156
D. 377,648	1/1997	Young	D14/136

OTHER PUBLICATIONS

Sony Style Fall/Winter, 1996 pp. 230-231.
Sony catalog 83, pp. 116a and 192 (1996).

Primary Examiner—Ted Shooman
Assistant Examiner—Nanda Bondade
Attorney, Agent, or Firm—Foley & Lardner

[57] **CLAIM**

The ornamental design for a disc player, as shown and described.

DESCRIPTION

FIG. 1 is a perspective view of a disc player showing my new design;
FIG. 2 is a top plan view thereof;
FIG. 3 is a left side elevational view thereof, a right side elevational view being a mirror image;
FIG. 4 is a front elevational view thereof;
FIG. 5 is a bottom plan view thereof;
FIG. 6 is a rear elevational view thereof; and,
FIG. 7 is a perspective view thereof, wherein the lid portion is in the open position.
The broken lines showing the insides of the disc player are for illustrative purposes only and forms no part of the claimed invention.

1 Claim, 3 Drawing Sheets

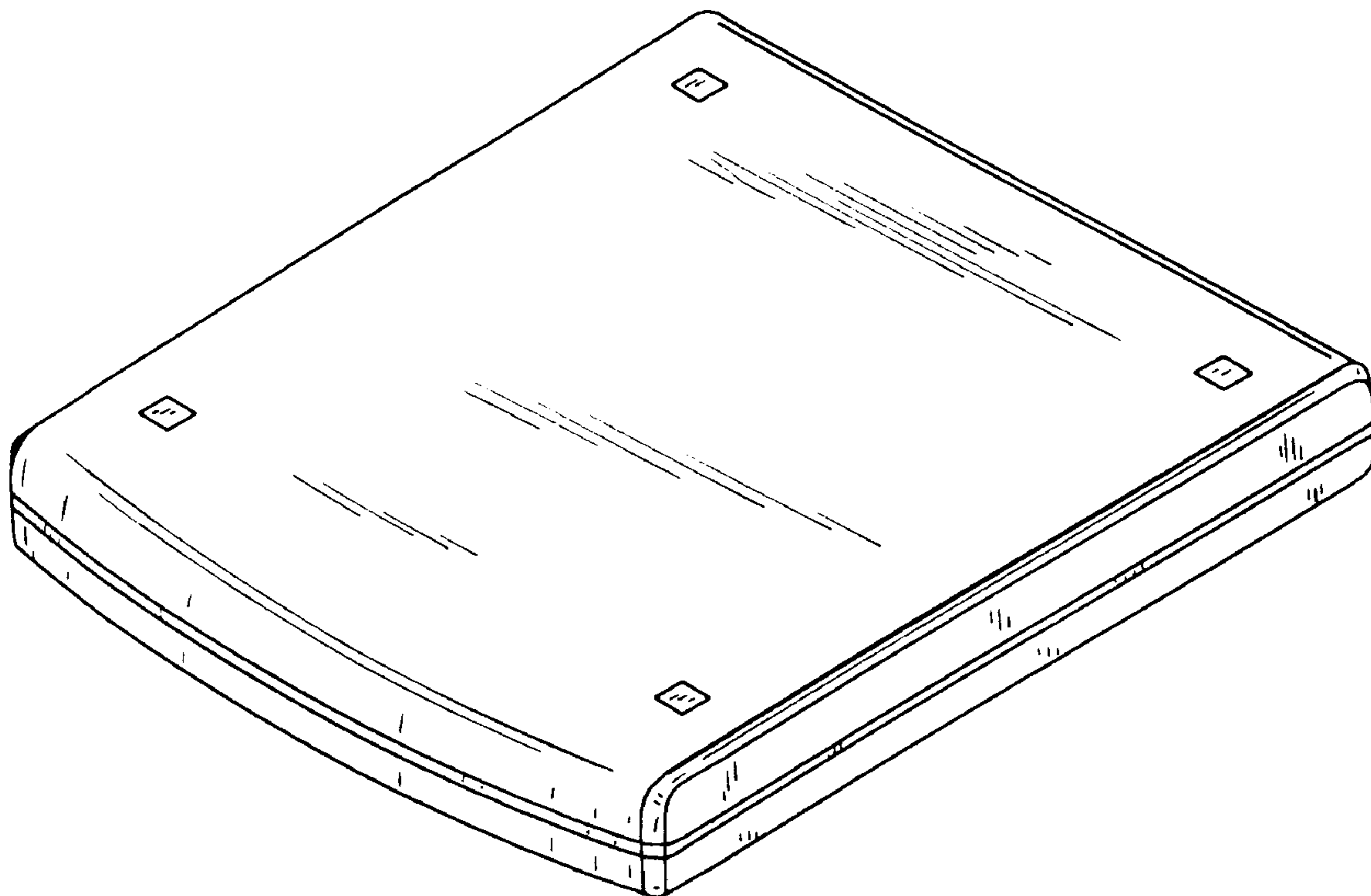


FIG. 7

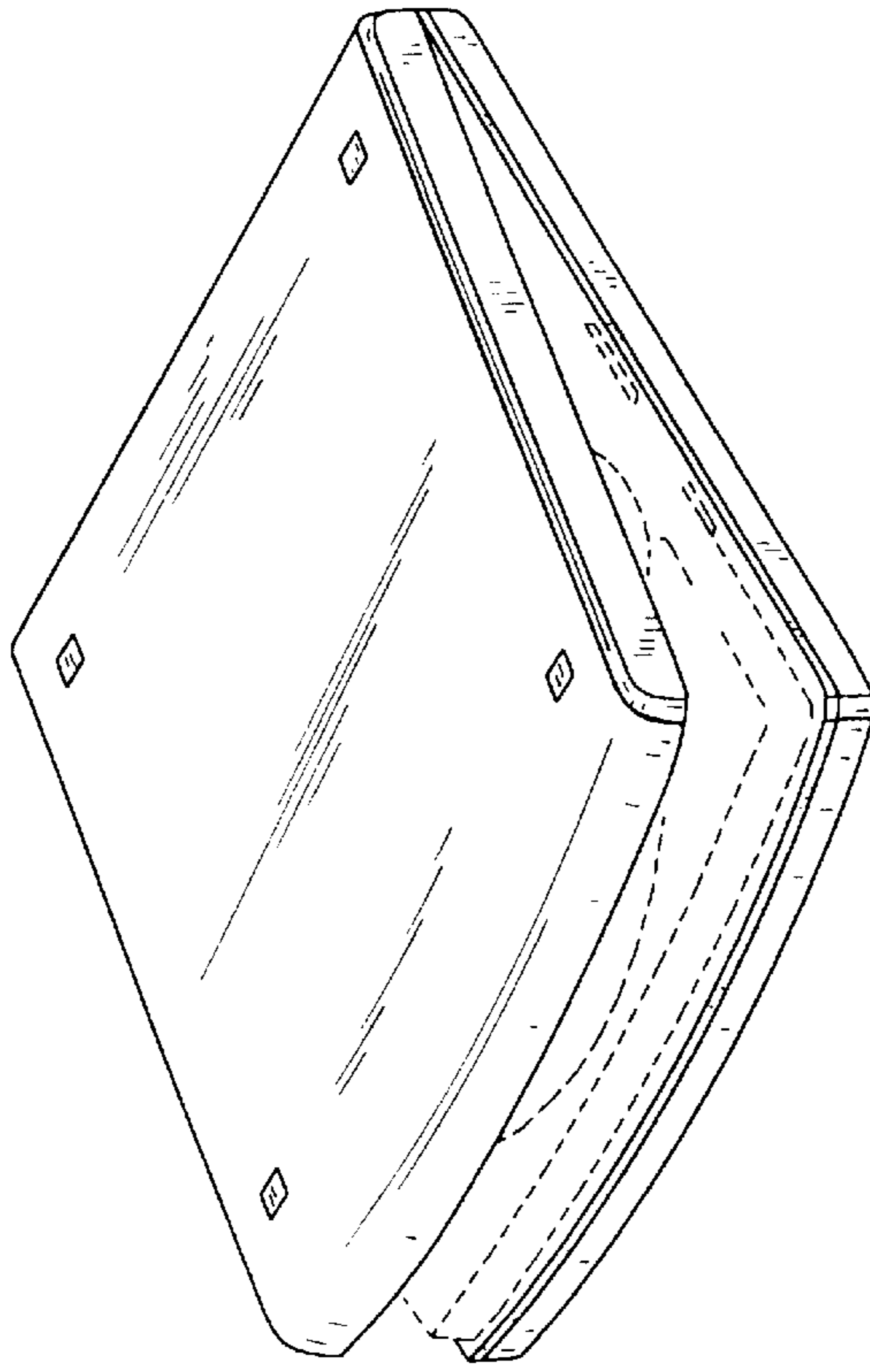


FIG. 1

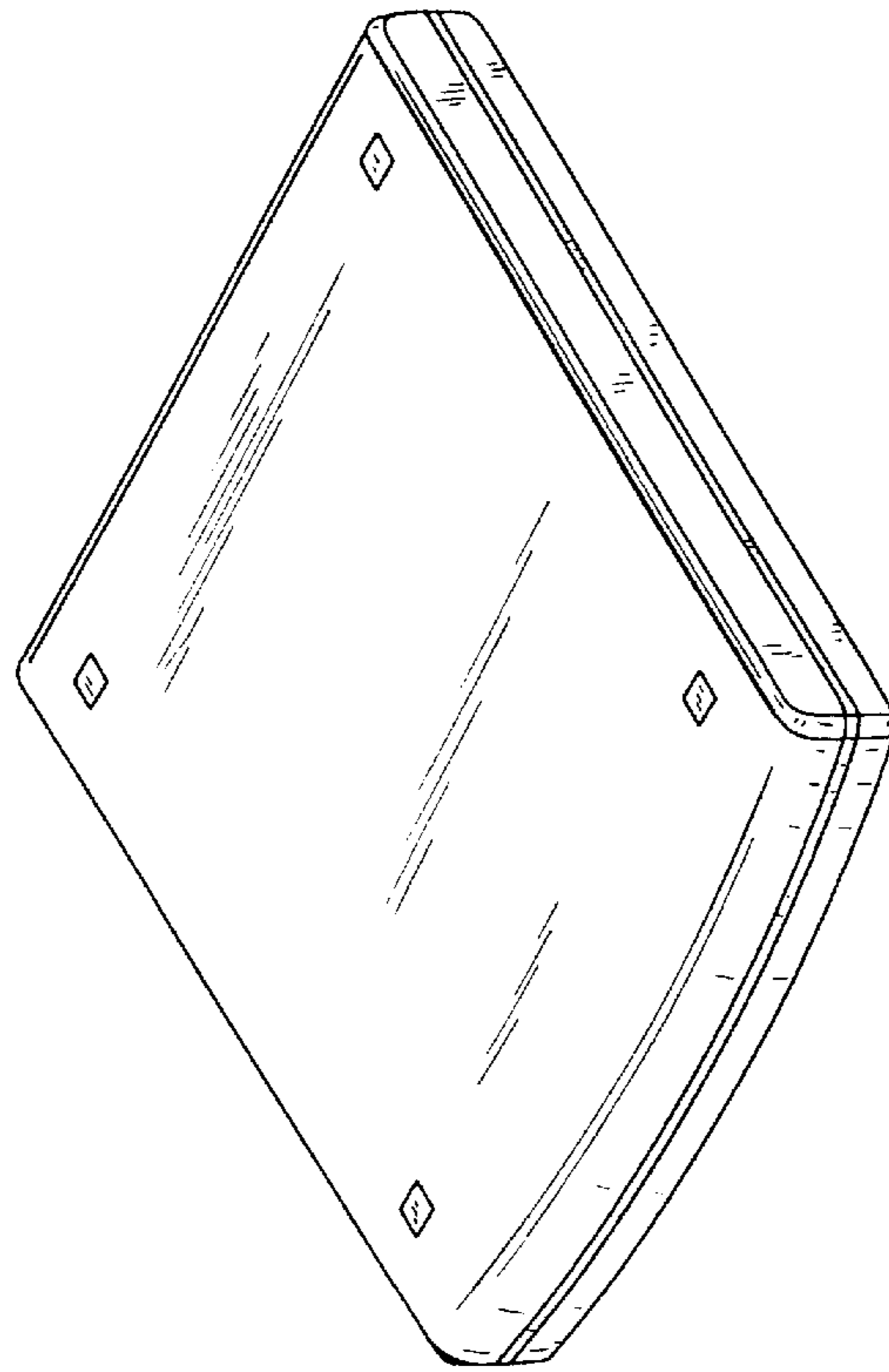


FIG. 2

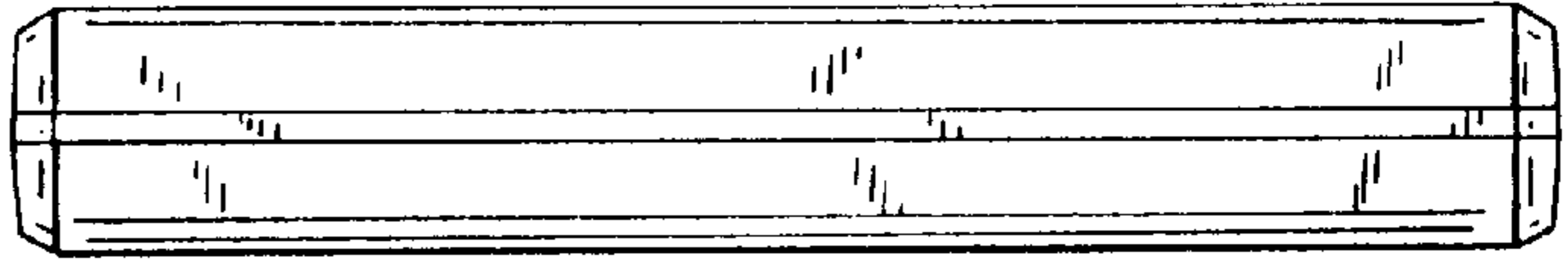


FIG. 3

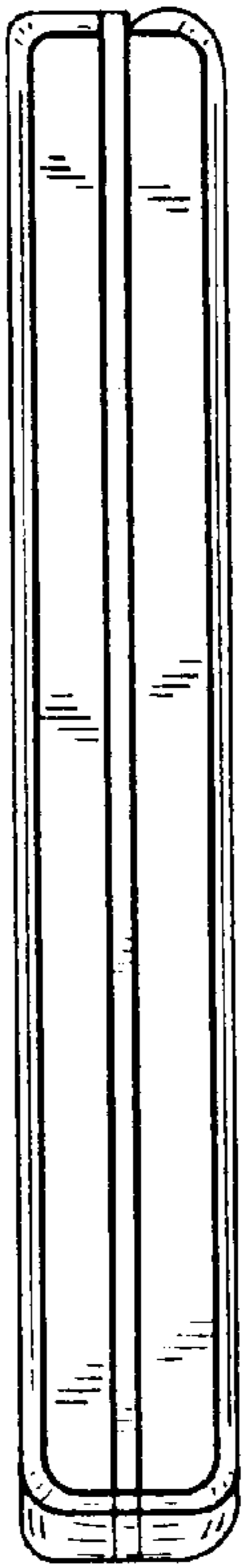


FIG. 4

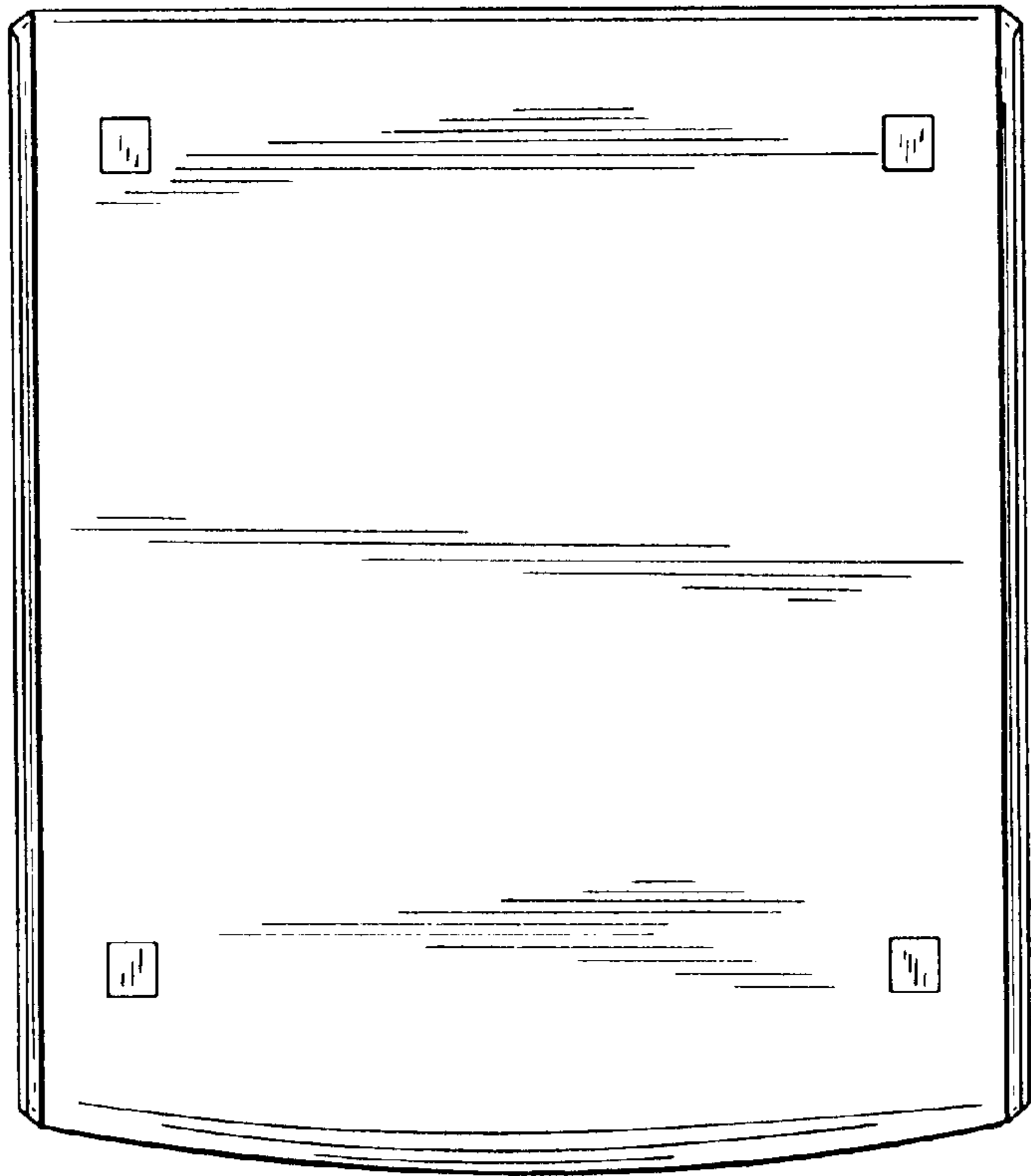


FIG. 5

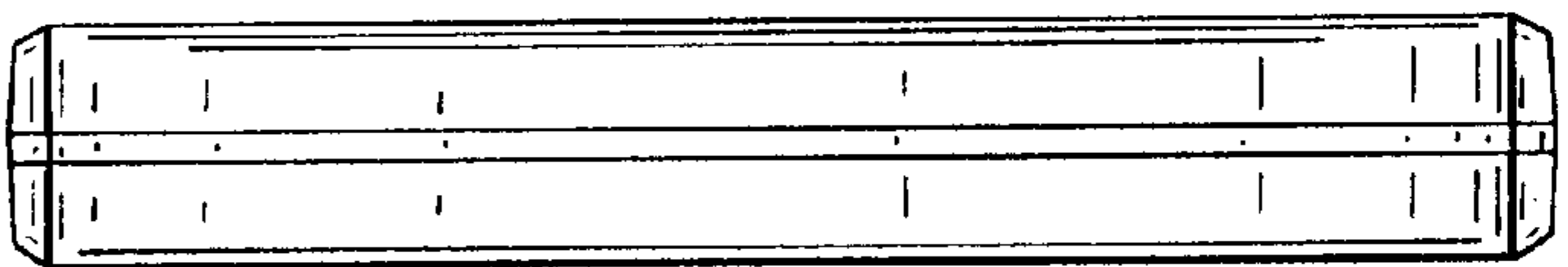


FIG. 6

