



US00D409605S

United States Patent [19] Miyazaki

[11] **Patent Number: Des. 409,605**

[45] **Date of Patent: ** May 11, 1999**

[54] **OPTICAL DISC PLAYER**

[75] Inventor: **Tetsuro Miyazaki**, Tokyo, Japan

[73] Assignee: **Sony Corporation**, Tokyo, Japan

[**] Term: **14 Years**

[21] Appl. No.: **29/075,168**

[22] Filed: **Aug. 19, 1997**

[51] **LOC (6) Cl. 14-01**

[52] **U.S. Cl. D14/156; D14/136**

[58] **Field of Search D14/109, 135,
D14/136, 156, 157, 160-162, 164, 165,
167-169, 188, 257, 258; 369/75.1, 75.2,
77.1, 77.2**

[56] **References Cited**

U.S. PATENT DOCUMENTS

D. 315,348	3/1991	Wada	D14/156
D. 321,189	10/1991	Ito et al.	D24/156
D. 321,191	10/1991	Ito et al.	D14/156
D. 372,915	8/1996	Ito et al.	D14/188
4,561,085	12/1985	Funabashi	D14/156 X

OTHER PUBLICATIONS

Sony Catalogue, front cover, p. 4 and back cover, Mar. 1997.

Primary Examiner—Ted Shooman
Assistant Examiner—Nanda Bondade

Attorney, Agent, or Firm—Foley & Lardner

[57] **CLAIM**

The ornamental design for an optical disc player, as shown and described.

DESCRIPTION

FIG. 1 is a perspective view of an optical disc player showing my new design;

FIG. 2 is a top plan view thereof;

FIG. 3 is a rear elevational view thereof;

FIG. 4 is a left side elevational view thereof;

FIG. 5 is a front elevational view thereof;

FIG. 6 is a right side elevational view thereof;

FIG. 7 is a bottom plan view thereof; and,

FIG. 8 is a perspective view of a second embodiment of an optical disc player showing my new design;

The broken lines showing the disc tray and any other interior portion of the optical disc player are for illustrative purposes only and form no part of the claimed invention.

1 Claim, 4 Drawing Sheets

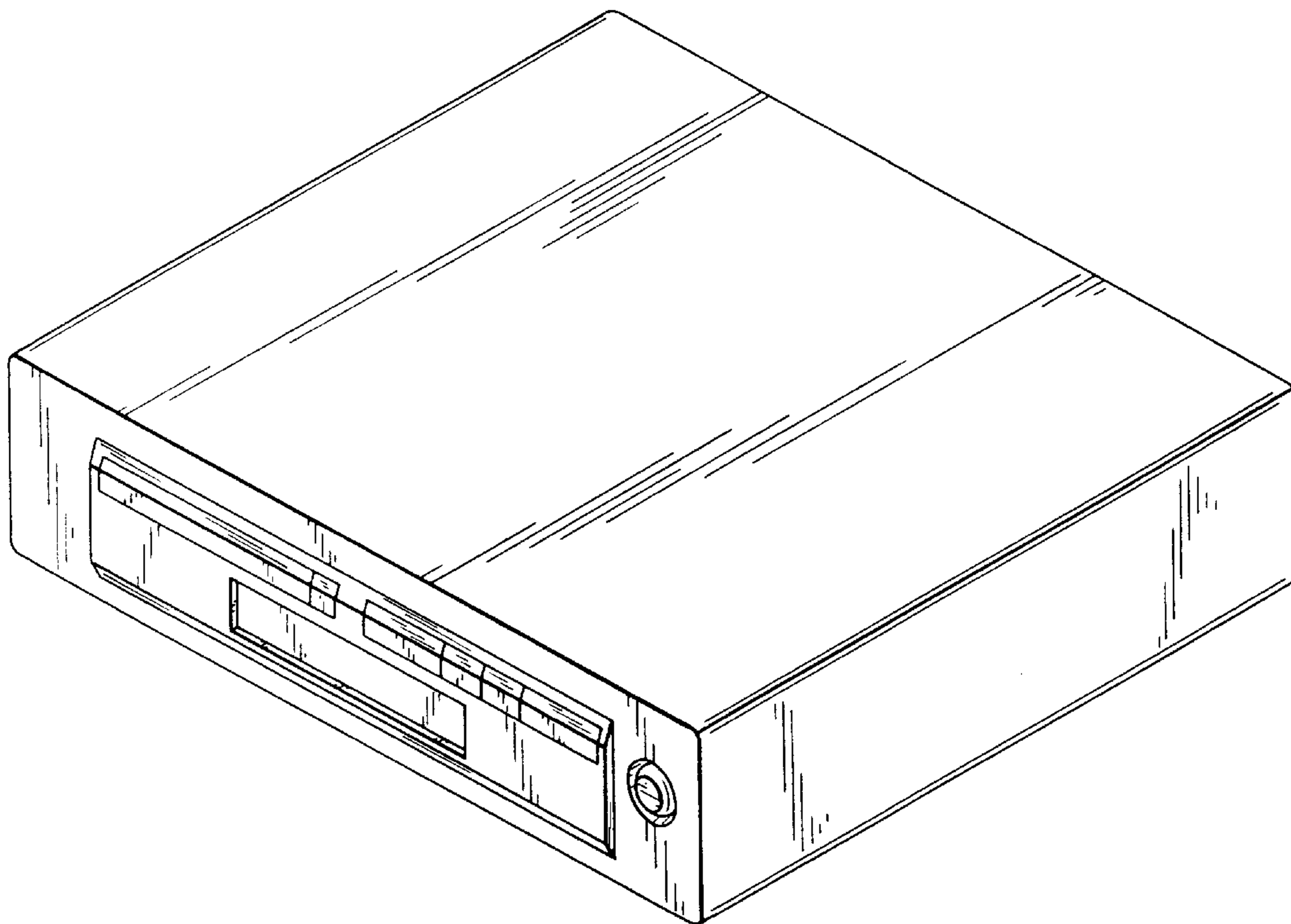


FIG. 1

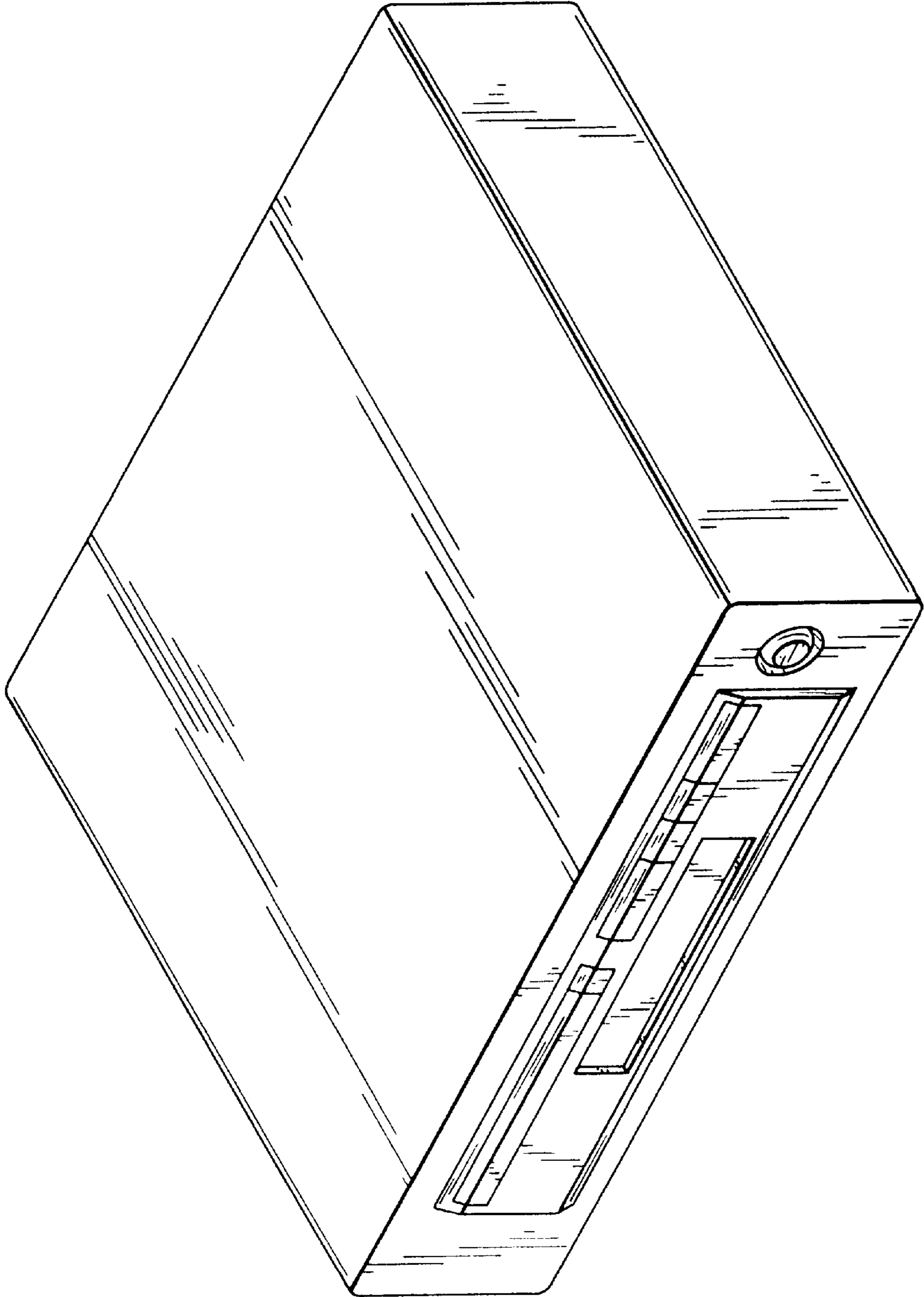


FIG. 3

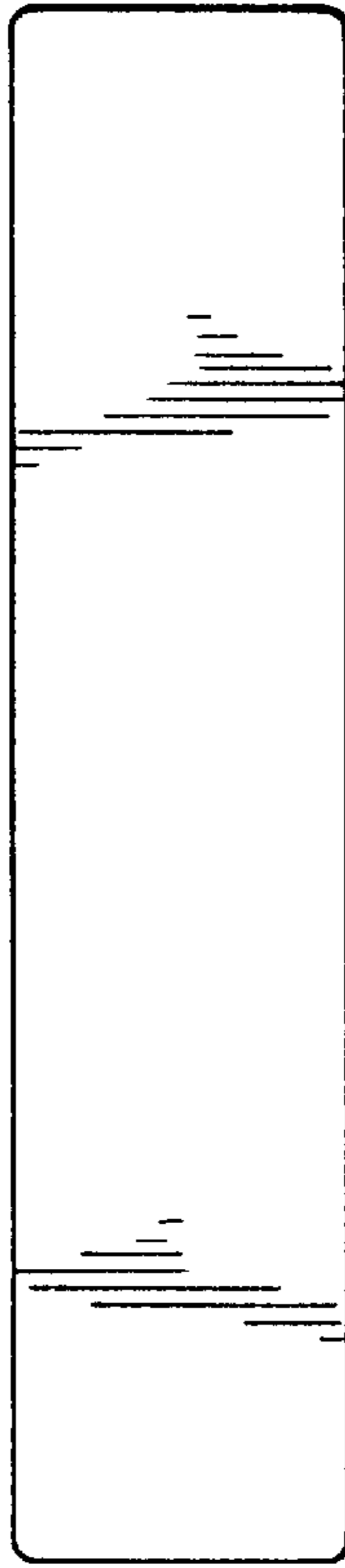


FIG. 4

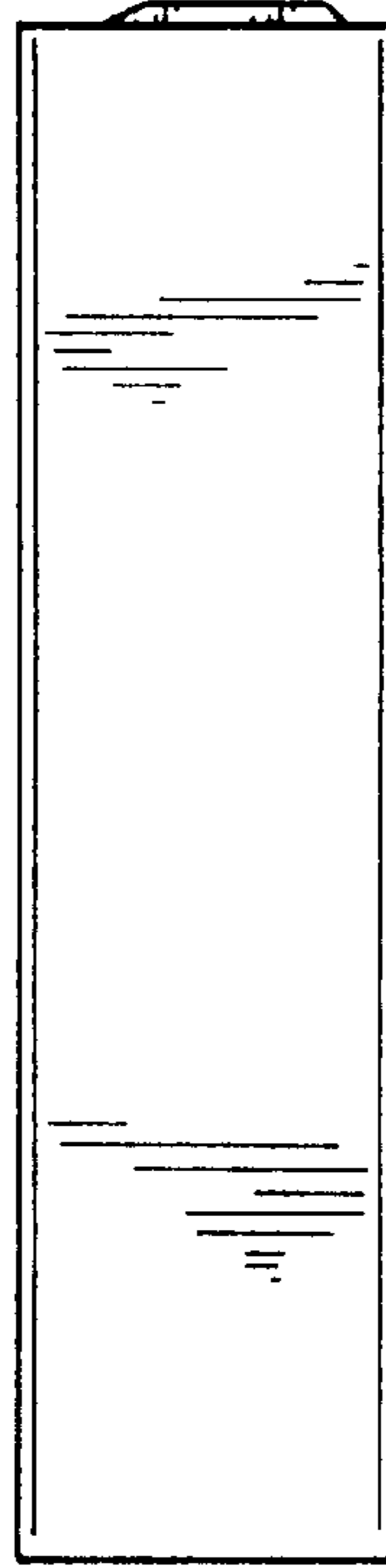


FIG. 2

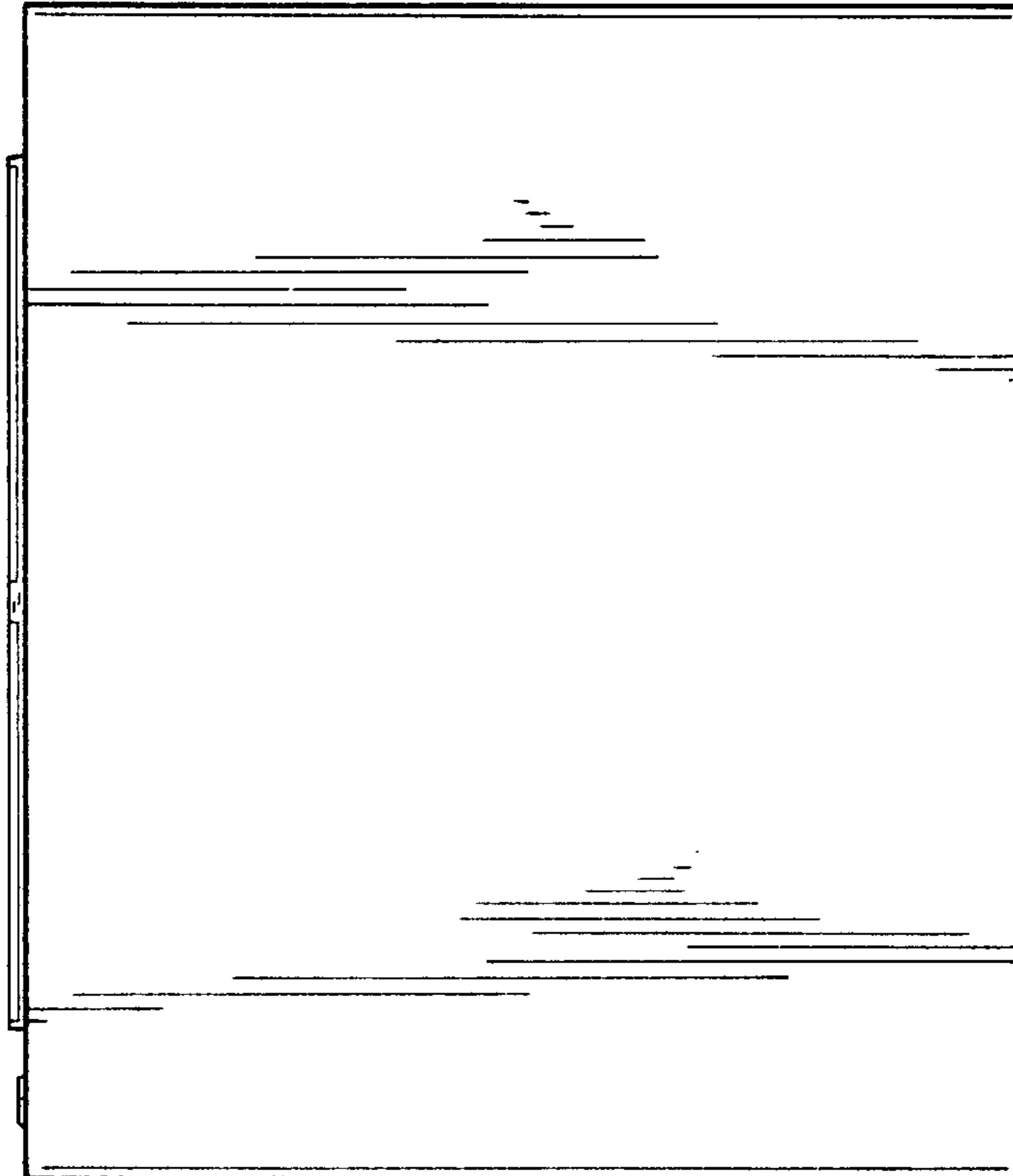


FIG. 7

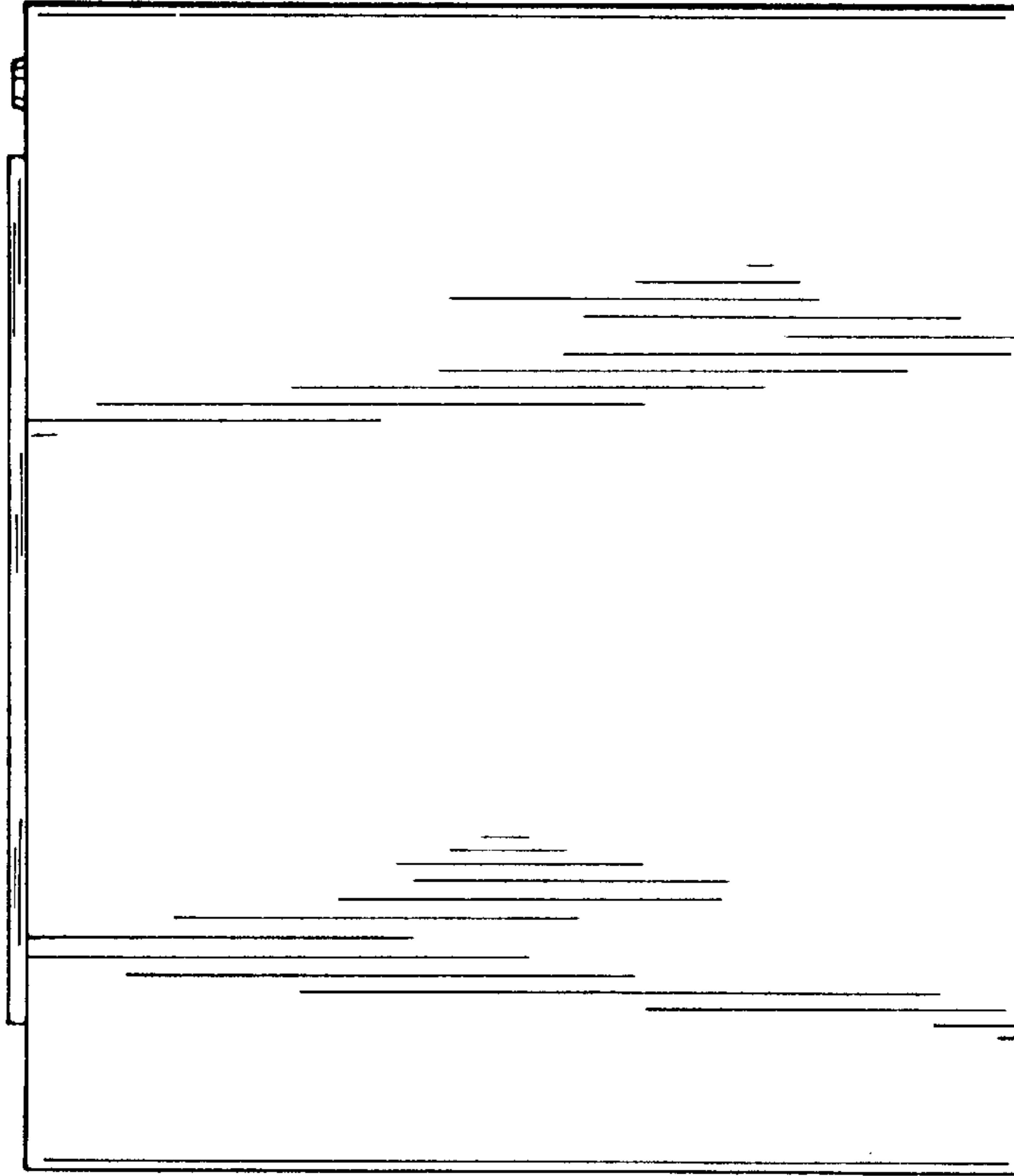


FIG. 5

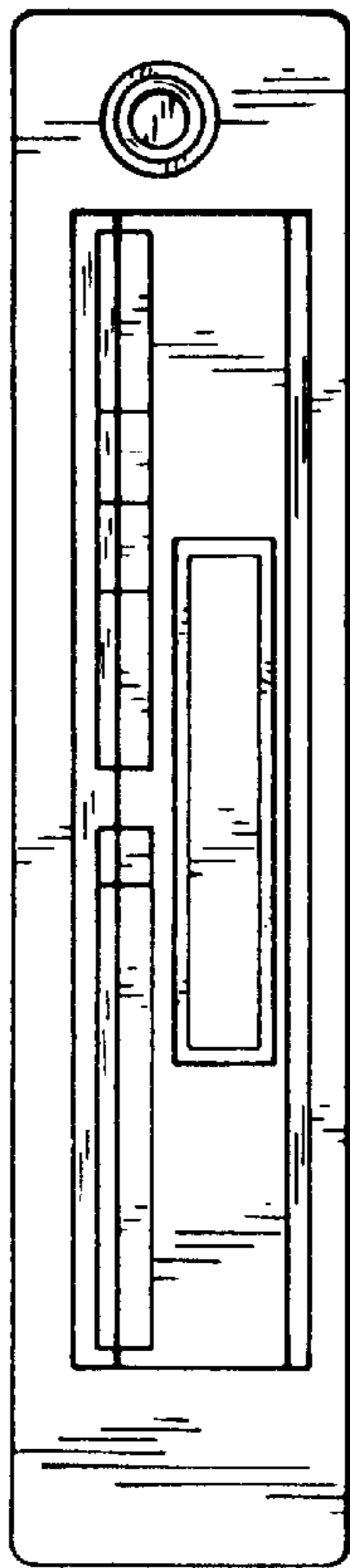


FIG. 6

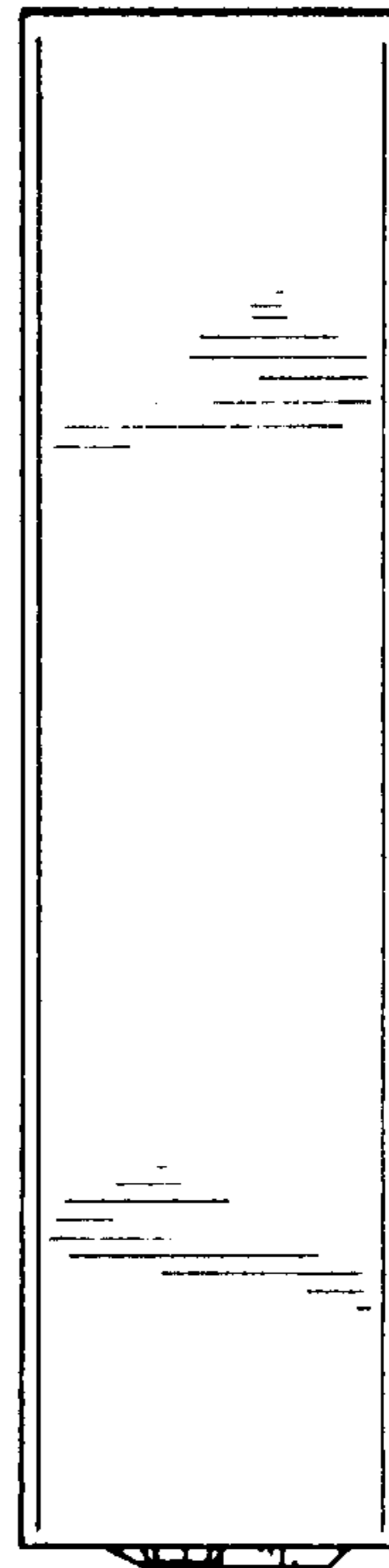


FIG. 8

