



US00D409590S

United States Patent [19]

[11] **Patent Number: Des. 409,590**

Newton et al.

[45] **Date of Patent: ** May 11, 1999**

[54] **ICON FOR A COMPUTER SCREEN**

D. 390,548	2/1998	Maekawa et al.	D14/114.5
D. 394,251	5/1998	Arnone	D14/114.5
D. 395,428	6/1998	Arora et al.	D14/114.4

[75] Inventors: **James W. Newton**, Belmont; **Larry M. Hoffman**, Mountain View, both of Calif.

OTHER PUBLICATIONS

[73] Assignee: **Sun Microsystems, Inc.**, Palo Alto, Calif.

Corel Gallery 2, CD Rom clipart catalog, symb374.cmx, symb254.cmx, p.B389, keys342.cmx, lock_key.cmx, p.B173, 1995.

[**] Term: **14 Years**

Primary Examiner—M. H. Tung
Attorney, Agent, or Firm—Erwin J. Basinski; Kenneth Olsen

[21] Appl. No.: **29/075,506**

[22] Filed: **Aug. 18, 1997**

[57] CLAIM

Related U.S. Application Data

The ornamental design for a icon for a computer screen, as shown and described.

[62] Division of application No. 29/052,231, Mar. 26, 1996, Pat. No. Des. 390,212.

DESCRIPTION

[51] **LOC (6) Cl.** **14-02**

FIG. 1 is a front perspective view of an icon for a computer screen comprising the present invention, the broken line drawing of a computer screen is for illustrative purposes only and forms no part of the claimed design; and,

[52] **U.S. Cl.** **D14/114.5**

[58] **Field of Search** D14/114, 114.1-114.9; D18/24-27; D19/6; D10/11; 345/326, 339-40, 347-57

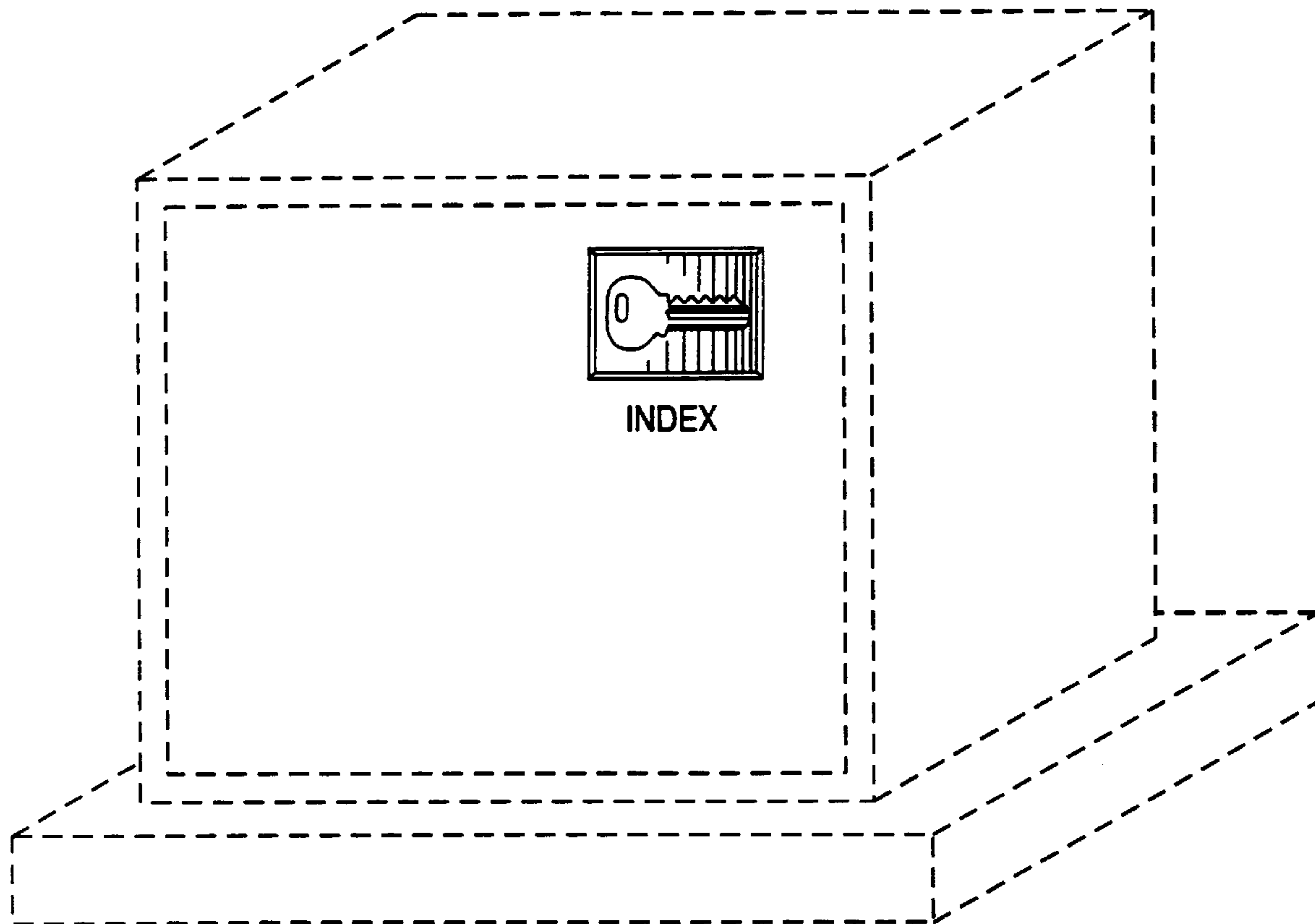
FIG. 2 is a front view thereof, on an enlarged scale the broken line drawing of a computer screen is for illustrative purposes only and forms no part of the claimed design.

[56] References Cited

U.S. PATENT DOCUMENTS

D. 341,848 11/1993 Bigelow et al. .

1 Claim, 2 Drawing Sheets



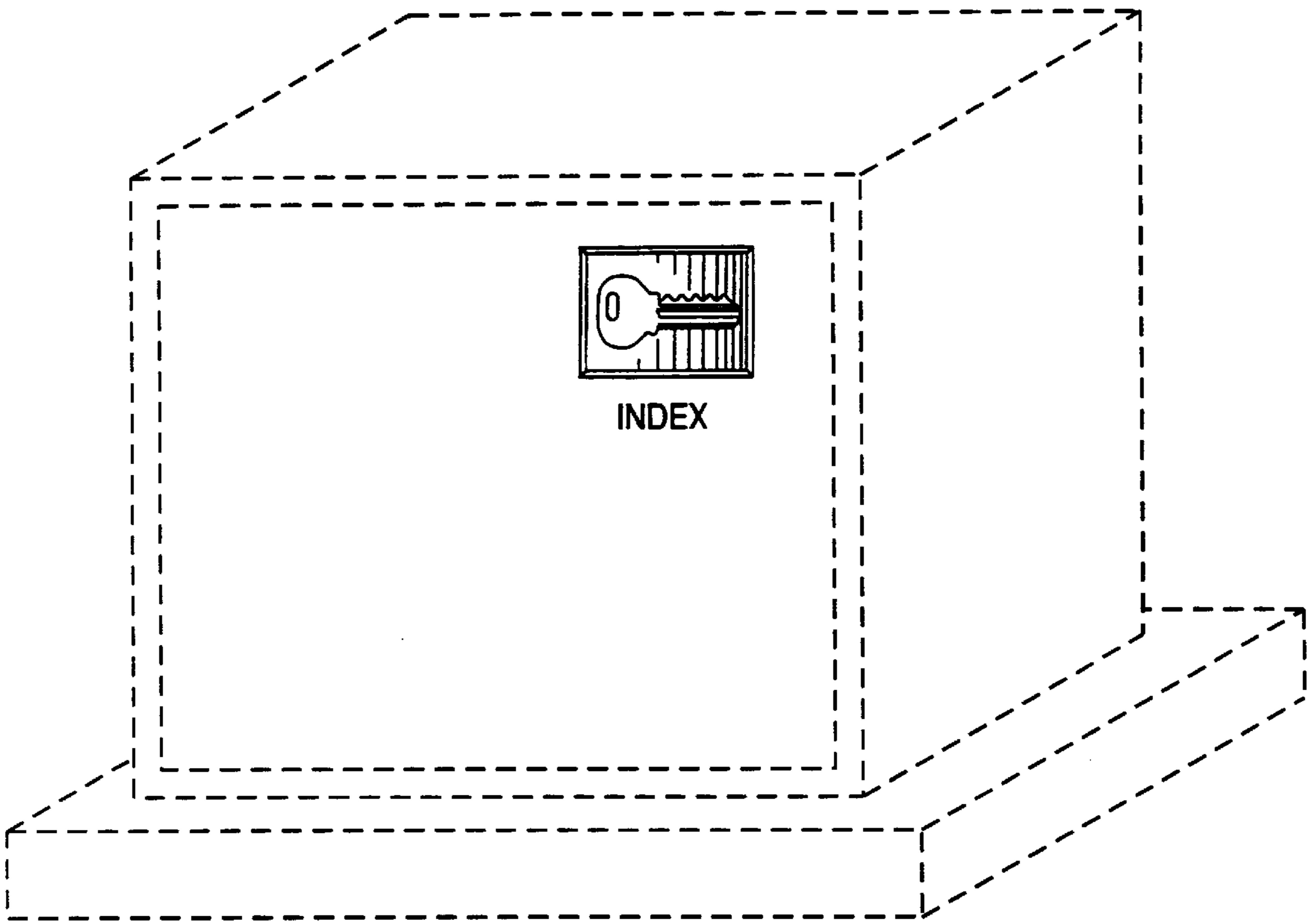


FIG. 1

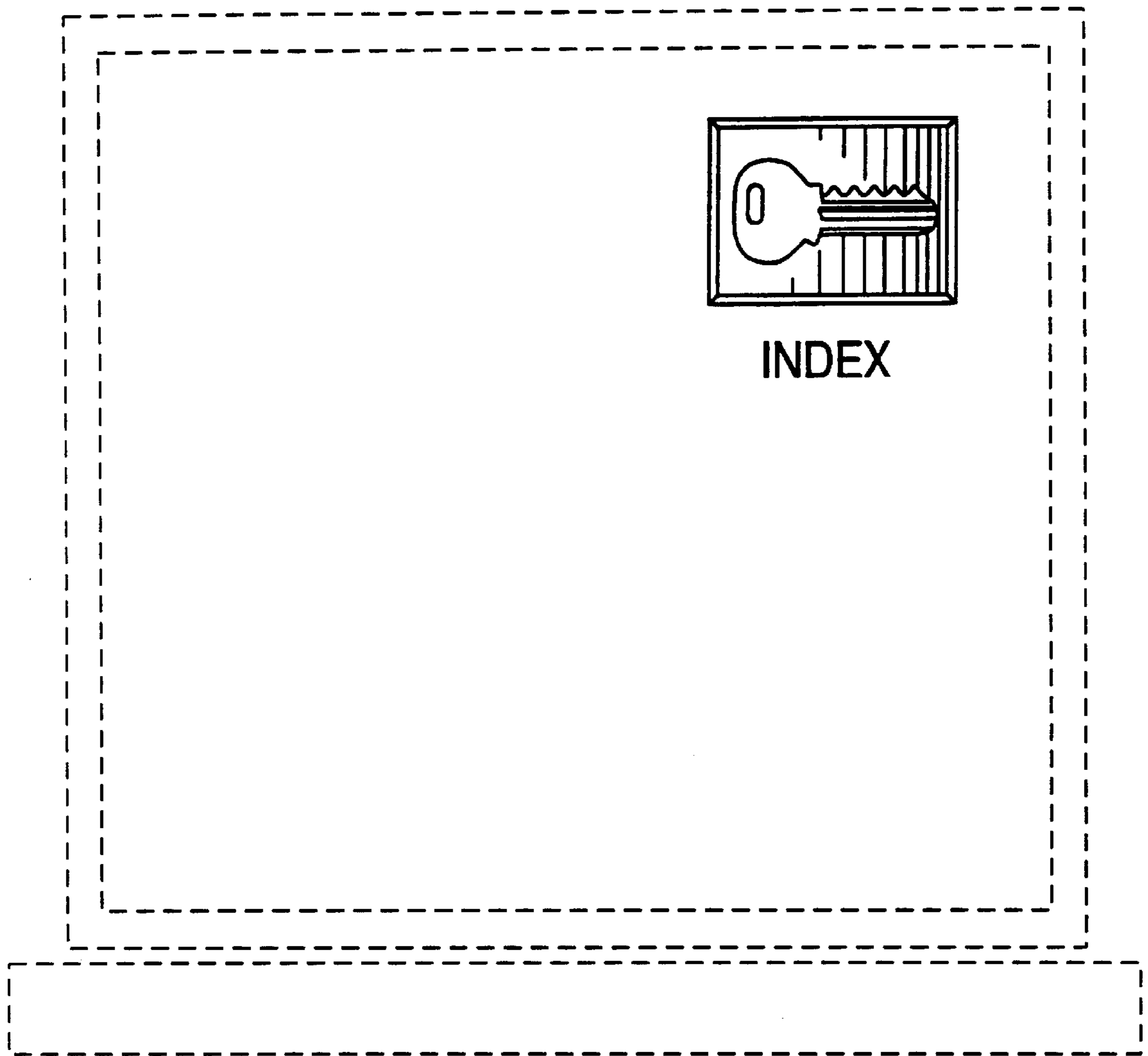


FIG. 2