



US00D409584S

United States Patent [19]
Fetherolf

[11] **Patent Number: Des. 409,584**

[45] **Date of Patent: ** May 11, 1999**

[54] **PRINTER MOUNTED SCANNER**
[75] Inventor: **Will Fetherolf**, Boise, Id.
[73] Assignee: **Hewlett-Packard Company**, Palo Alto, Calif.
[**] Term: **14 Years**
[21] Appl. No.: **29/080,682**
[22] Filed: **Dec. 10, 1997**
[51] **LOC (6) Cl.** **14-02**
[52] **U.S. Cl.** **D14/107; D18/54**
[58] **Field of Search** D14/100, 105, D14/107, 118; D18/36, 37, 39, 50, 54; 250/556; 235/454, 470, 476, 483, 441; 355/64, 65, 75, 81

D. 382,256 8/1997 Lin D14/107

Primary Examiner—Freda Nunn

[57] **CLAIM**

The ornamental design for a printer mounted scanner, as shown and described.

DESCRIPTION

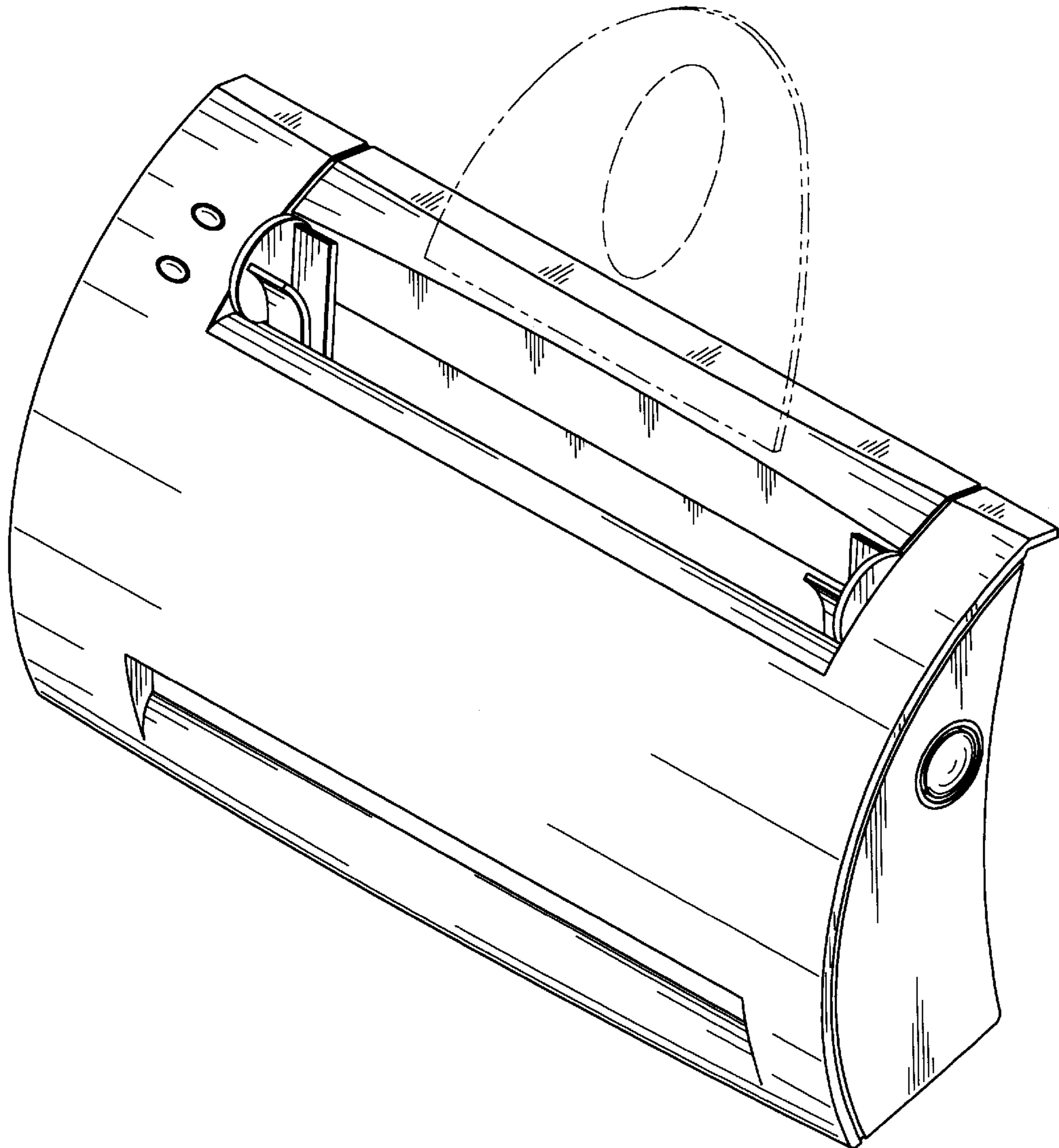
FIG. 1 is a front isometric view of a printer mounted scanner showing my new design;
FIG. 2 is a front isometric view thereof;
FIG. 3 is a front elevational view thereof;
FIG. 4 is a left side elevational view thereof;
FIG. 5 is a right side elevational view thereof; and,
FIG. 6 is a top view thereof the undisclosed bottom view does not form part of the claimed design.

The broken lines are shown in the views for illustrative purposes only and form no part of the claimed design.

[56] **References Cited**
U.S. PATENT DOCUMENTS

D. 372,902 8/1996 Yu D14/107

1 Claim, 6 Drawing Sheets



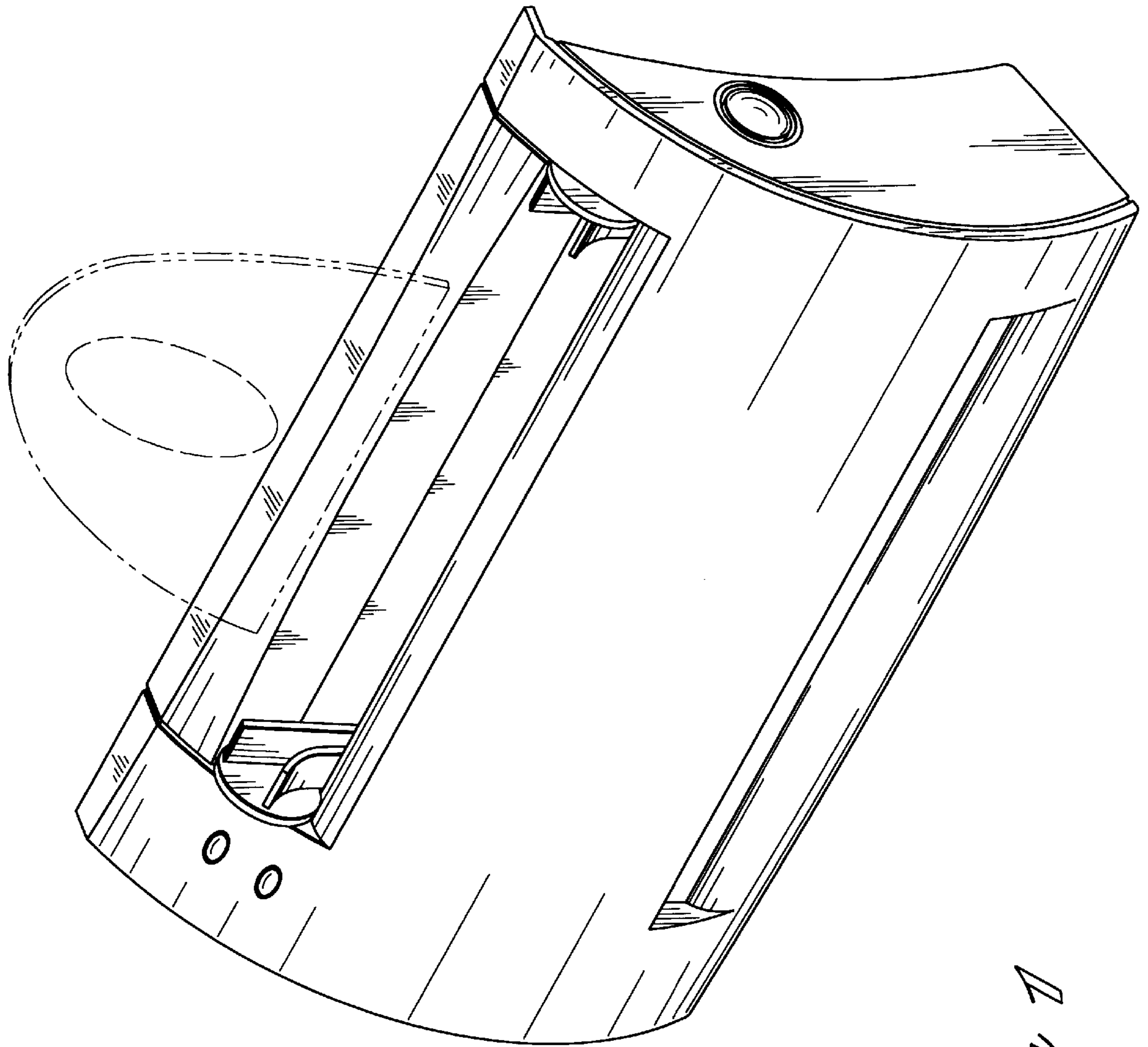


Fig. 1

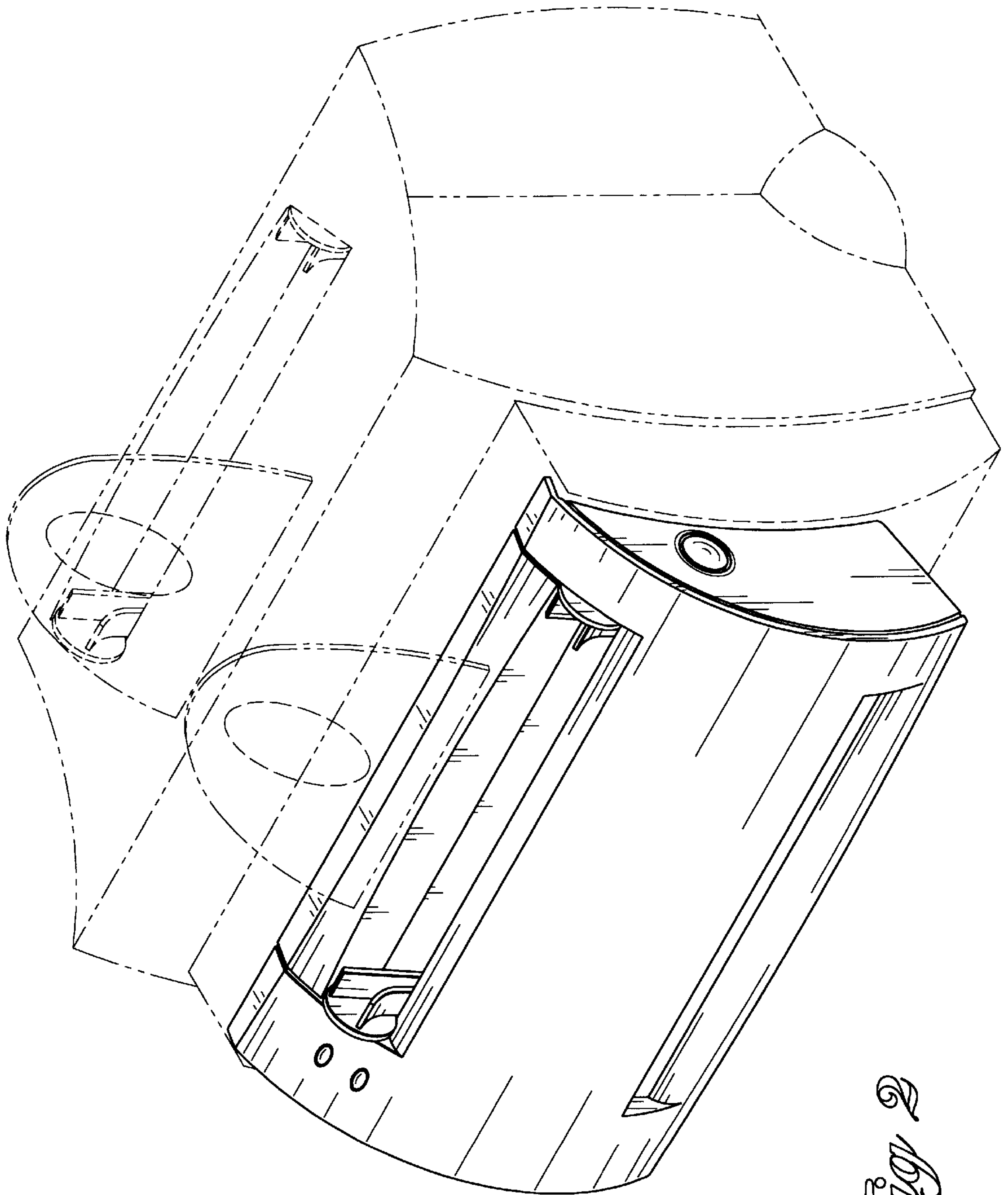


Fig. 2

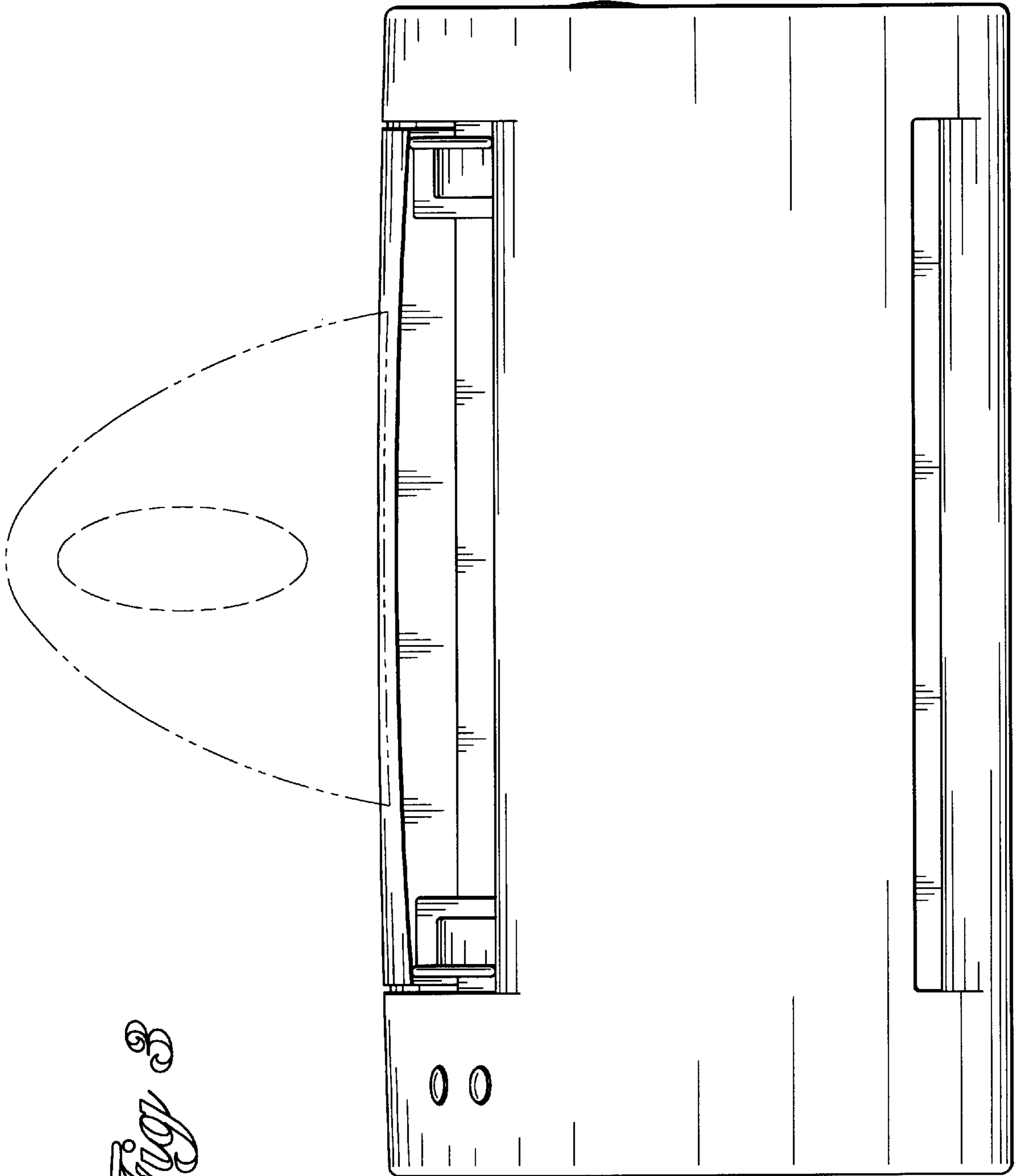


Fig 3

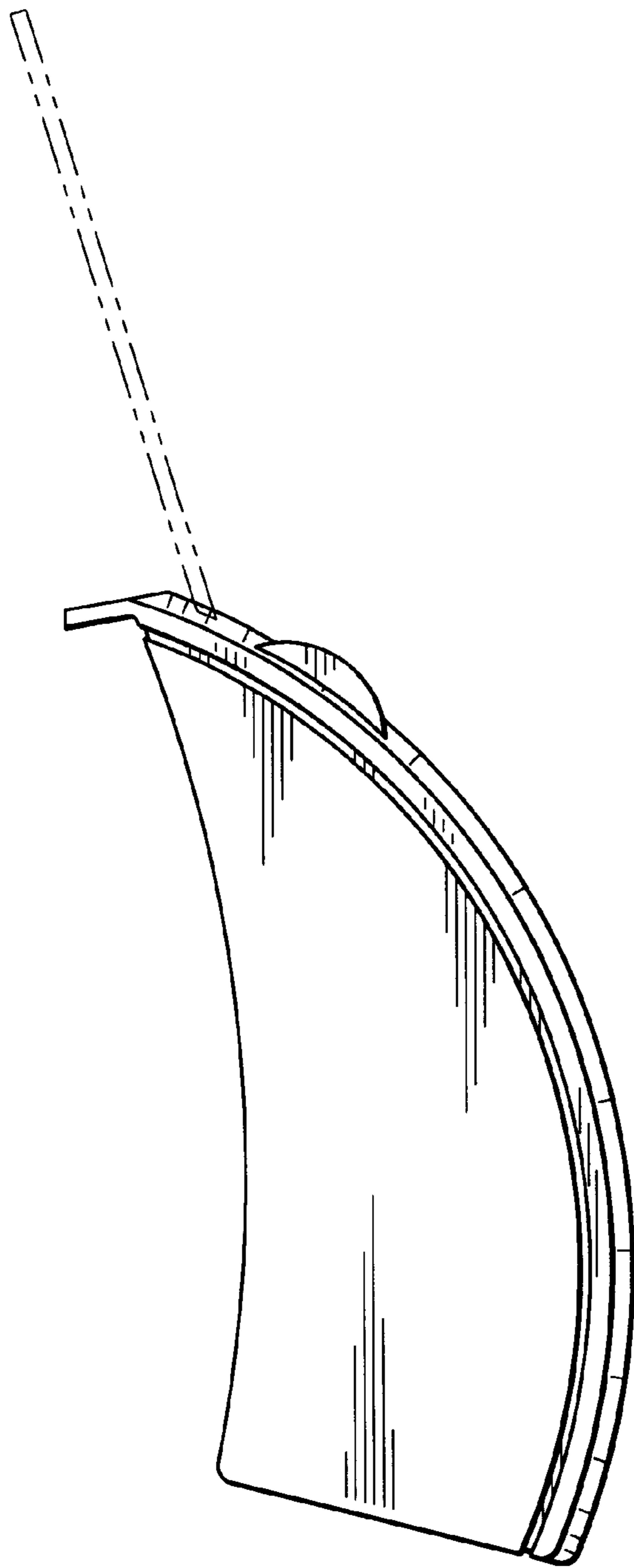


Fig 4

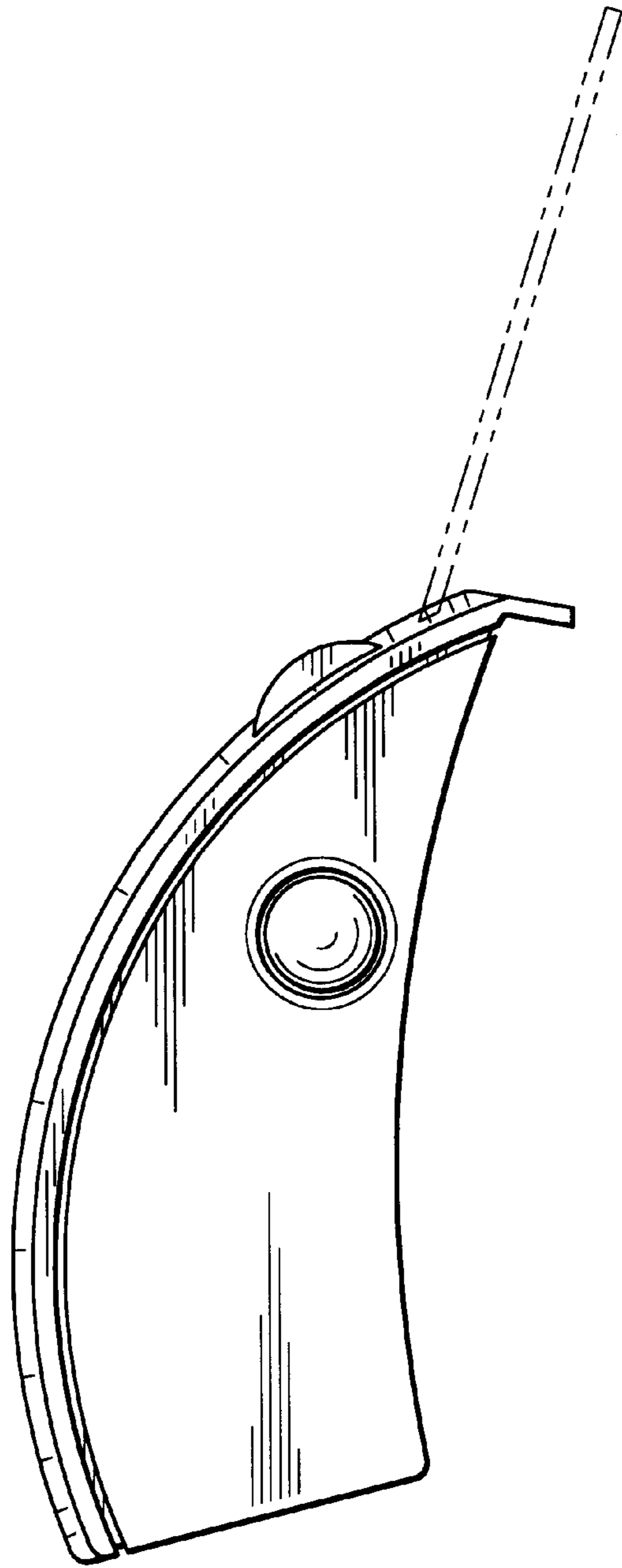


Fig 5

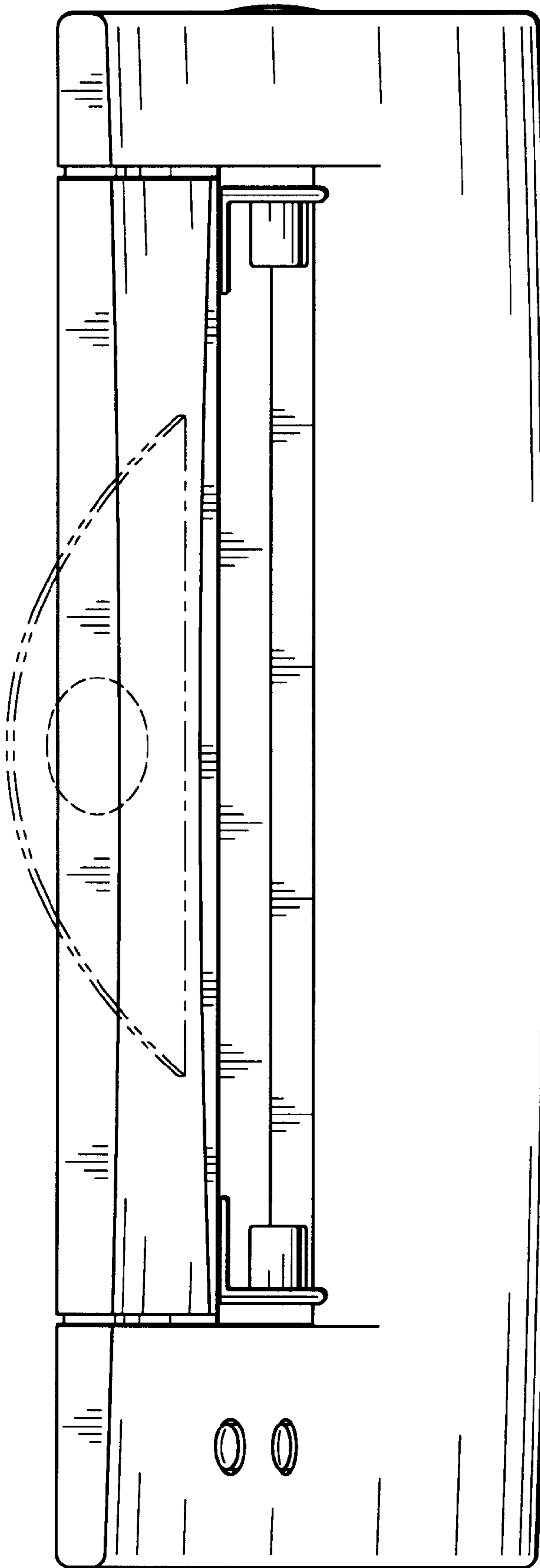


Fig. 6