



US00D409583S

# United States Patent [19]

[11] Patent Number: Des. 409,583

Nishida et al.

[45] Date of Patent: \*\* May 11, 1999

[54] **COMBINED ELECTRONIC COMPUTER, CAMERA AND DOCKING STATION**

Primary Examiner—Freda Nunn  
Attorney, Agent, or Firm—Nixon & Vanderhye

[75] Inventors: **Koji Nishida; Satoshi Mizuno**, both of Nara-ken, Japan

[57] **CLAIM**

The ornamental design for a “combined electronic computer, camera and docking station”, as shown and described.

[73] Assignee: **Sharp Kabushiki Kaisha**, Osaka, Japan

**DESCRIPTION**

[\*\*] Term: **14 Years**

[21] Appl. No.: **29/088,331**

[22] Filed: **May 19, 1998**

[30] **Foreign Application Priority Data**

Nov. 20, 1997 [JP] Japan ..... 9-76004

[51] **LOC (6) Cl.** ..... **14-02**

[52] **U.S. Cl.** ..... **D14/106; D16/200**

[58] **Field of Search** ..... D14/100, 101, D14/106, 107, 113, 115, 105; D16/200, 208, 239; 235/145 A, 145 R; 345/104, 156, 168, 173; 341/22, 23; 361/680–686; 364/708.1; 248/125.1

FIG. 1 is a front elevational view of a combined electronic computer, camera and docking station according to our design;

FIG. 2 is a rear elevational view thereof;

FIG. 3 is a top plan view thereof;

FIG. 4 is a bottom plan view thereof;

FIG. 5 is a left side elevational view thereof;

FIG. 6 is a right side elevational view thereof;

FIG. 7 is a left side elevational view thereof with the cover of the computer in a closed position;

FIG. 8 is a right side elevational view thereof;

FIG. 9 is a rear elevational view thereof in a closed position;

FIG. 10 is a front elevational view thereof in a closed position;

FIG. 11 is a bottom view thereof in a closed position;

FIG. 12 is a top plan view thereof in a closed position;

FIG. 13 is a top, front and right side perspective view thereof in an open position;

FIG. 14 is a view similar to FIG. 13 with the camera rotated 90°; and,

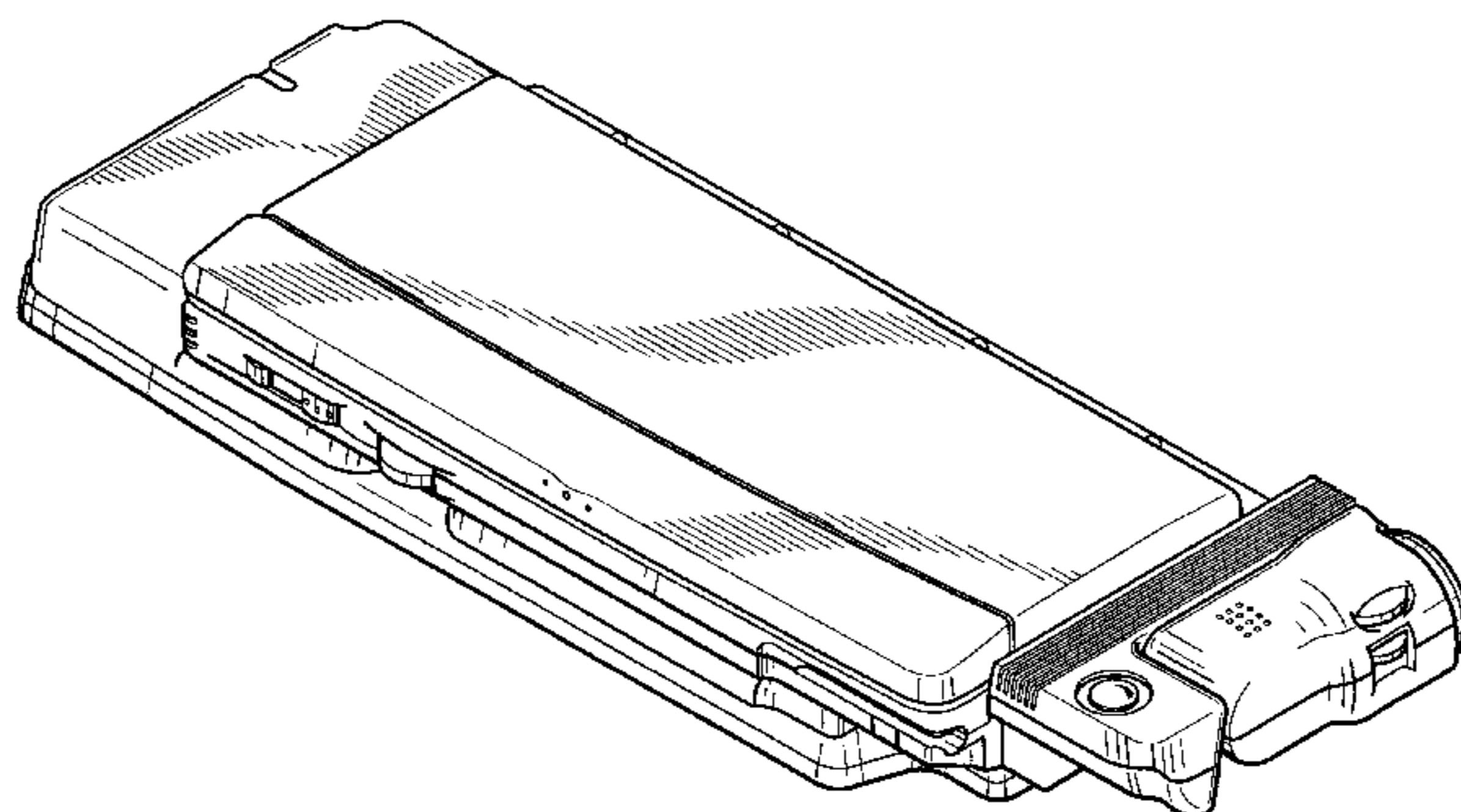
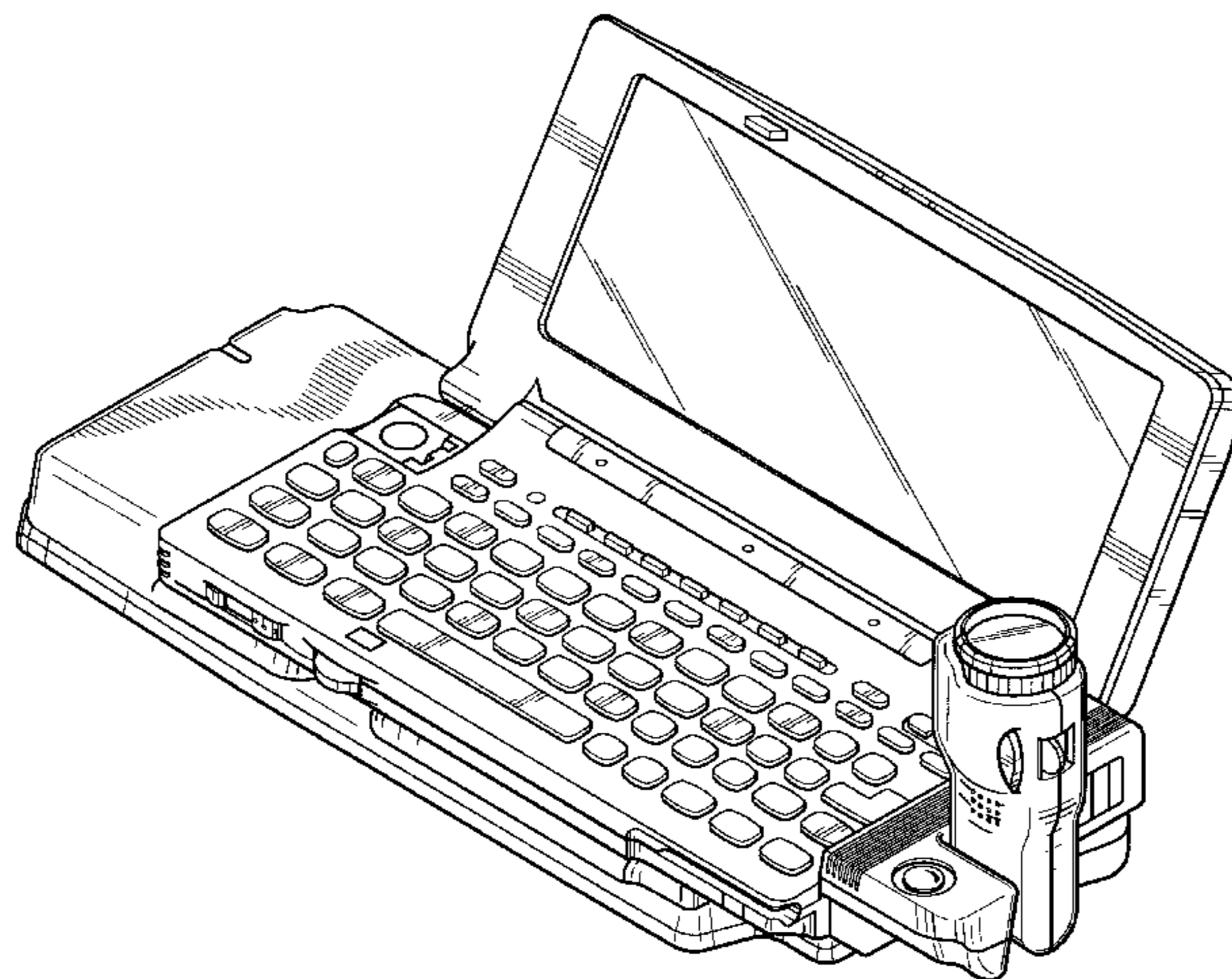
FIG. 15 is a top, front and right side perspective view thereof in a closed position.

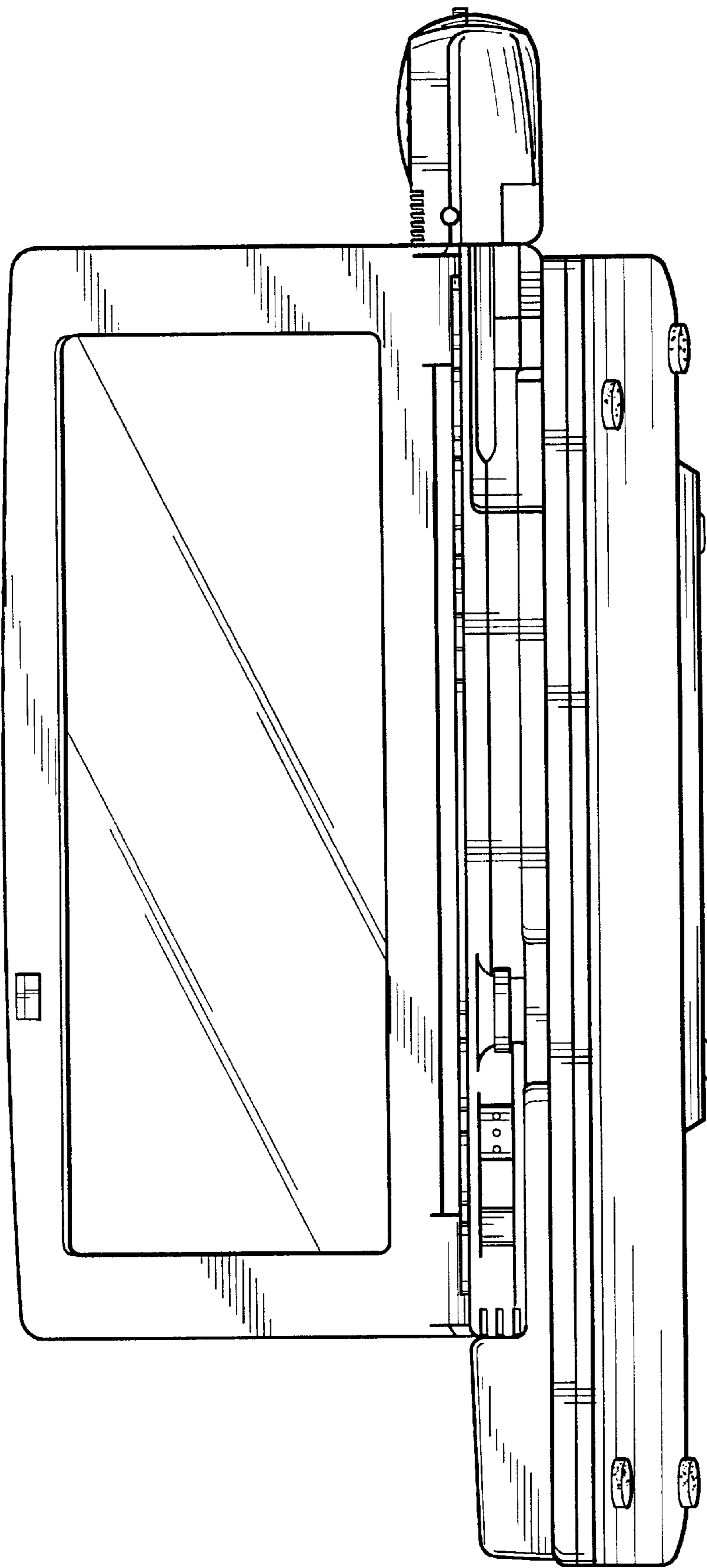
[56] **References Cited**

**U.S. PATENT DOCUMENTS**

D. 341,614	11/1993	Okamoto	.....	D16/200
D. 360,621	7/1995	Schoening	.....	D14/100
D. 363,471	10/1995	Shima et al.	.....	D14/106
D. 367,473	2/1996	Tochishita et al.	.....	D14/105
D. 374,433	10/1996	Shima et al.	.....	D14/106
5,318,257	6/1994	Tani	.....	248/125.1

**1 Claim, 12 Drawing Sheets**





*Fig. 1*

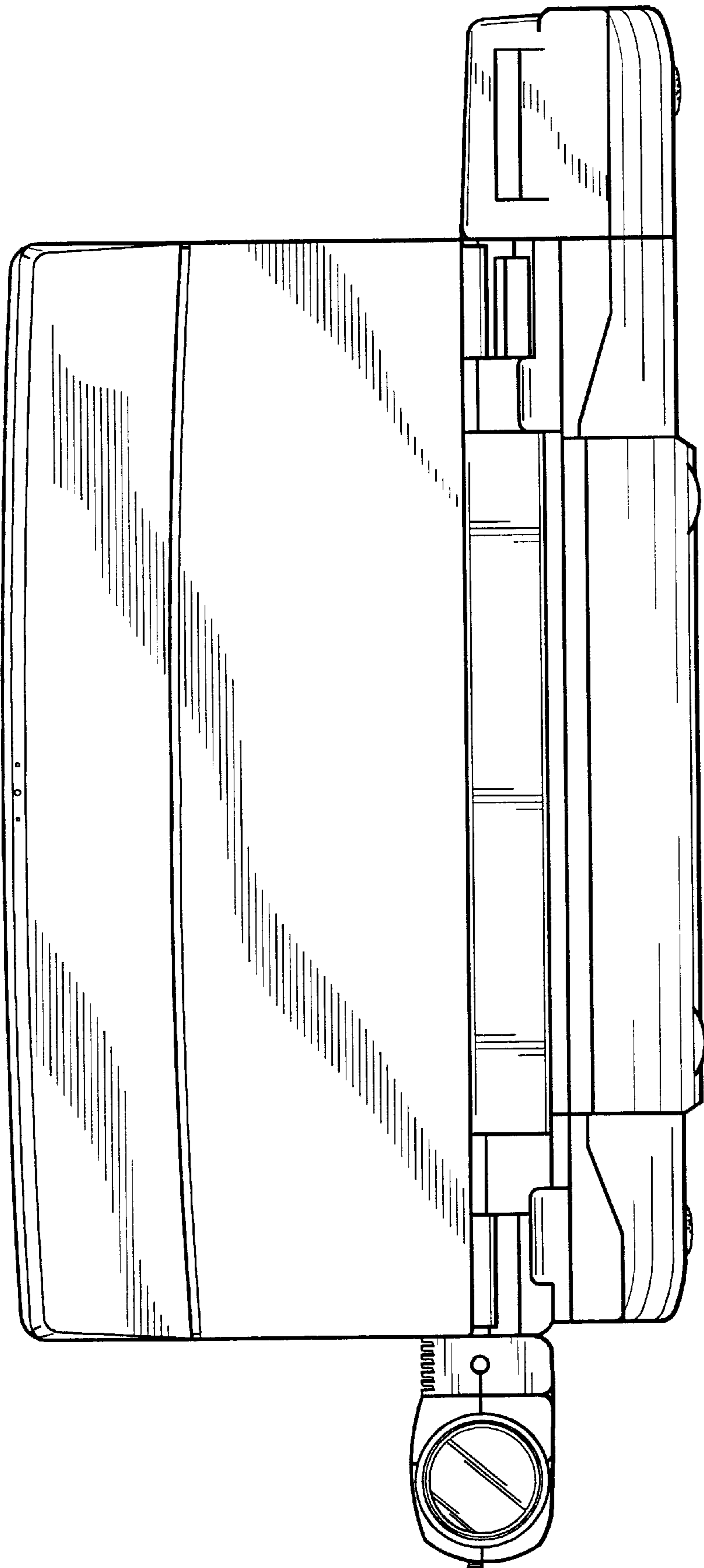


Fig. 2

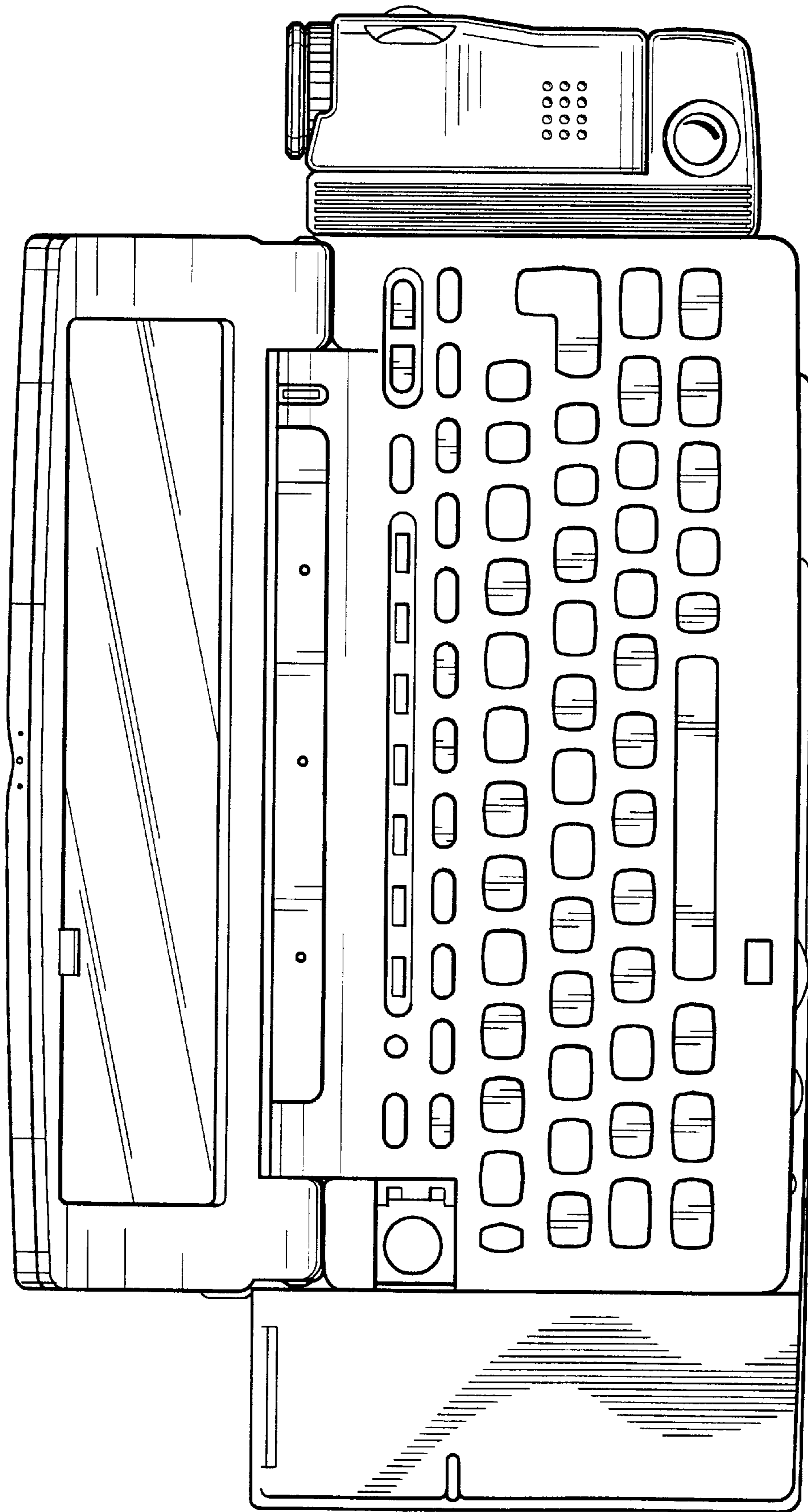


Fig. 3



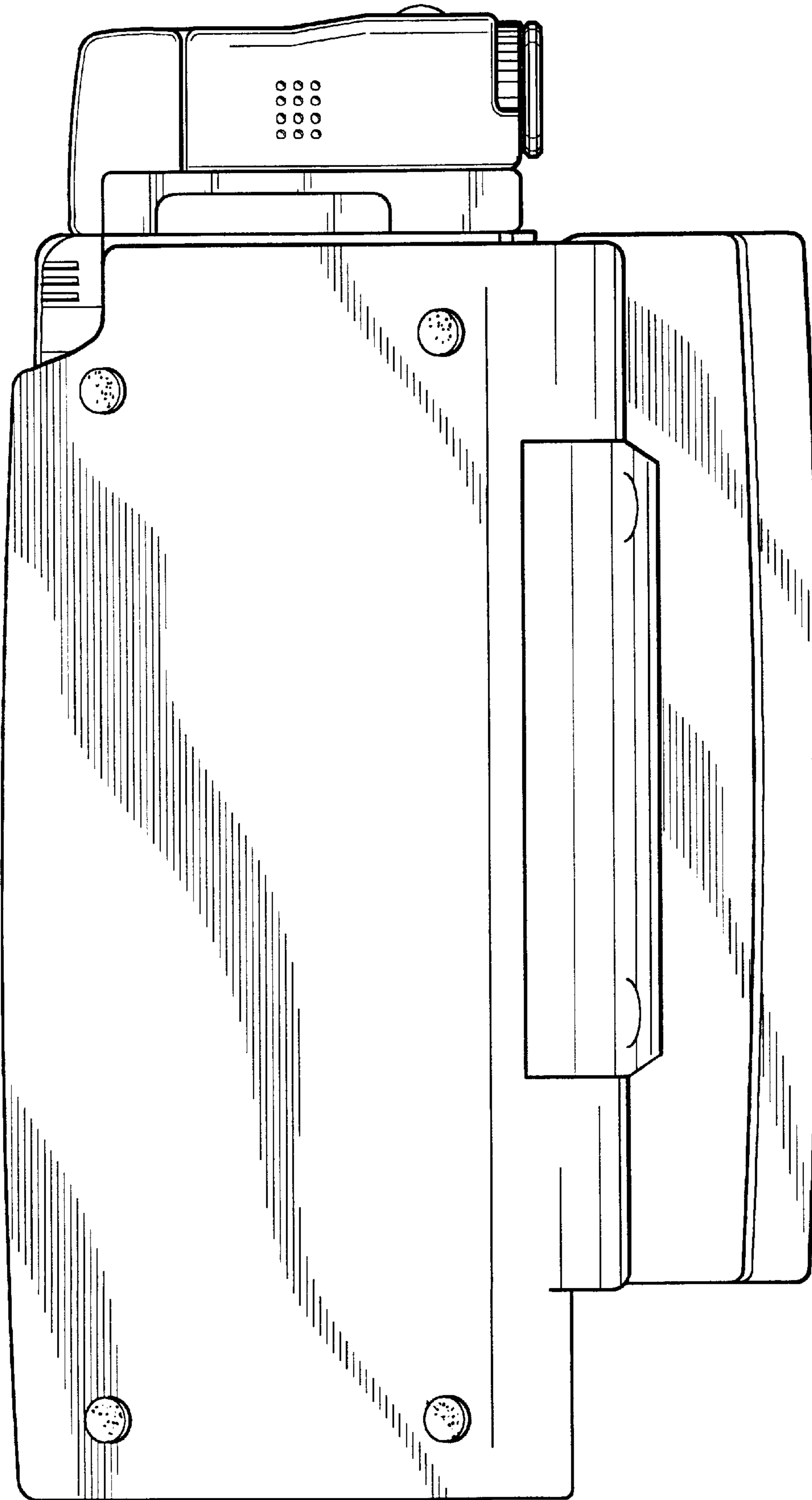
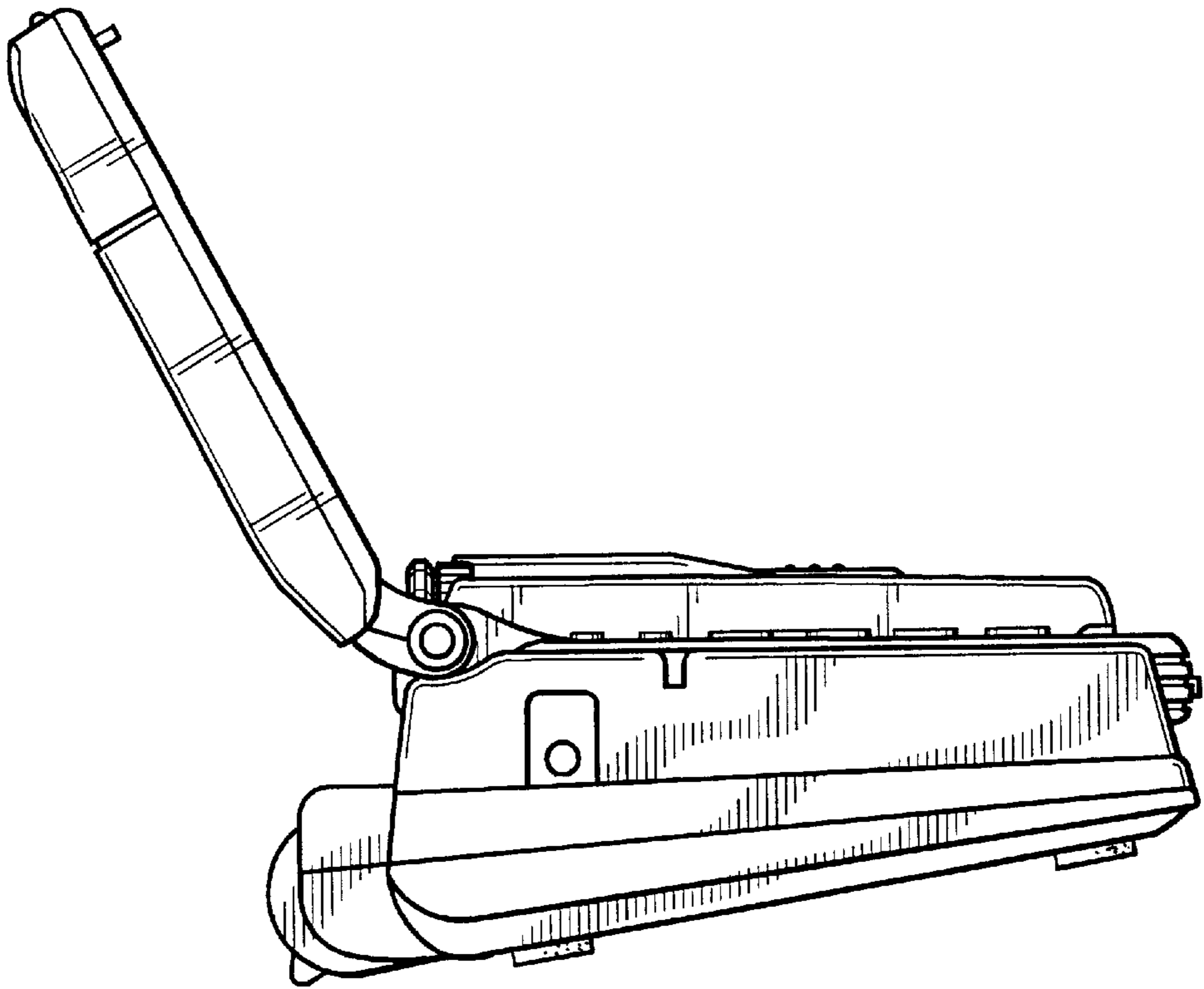
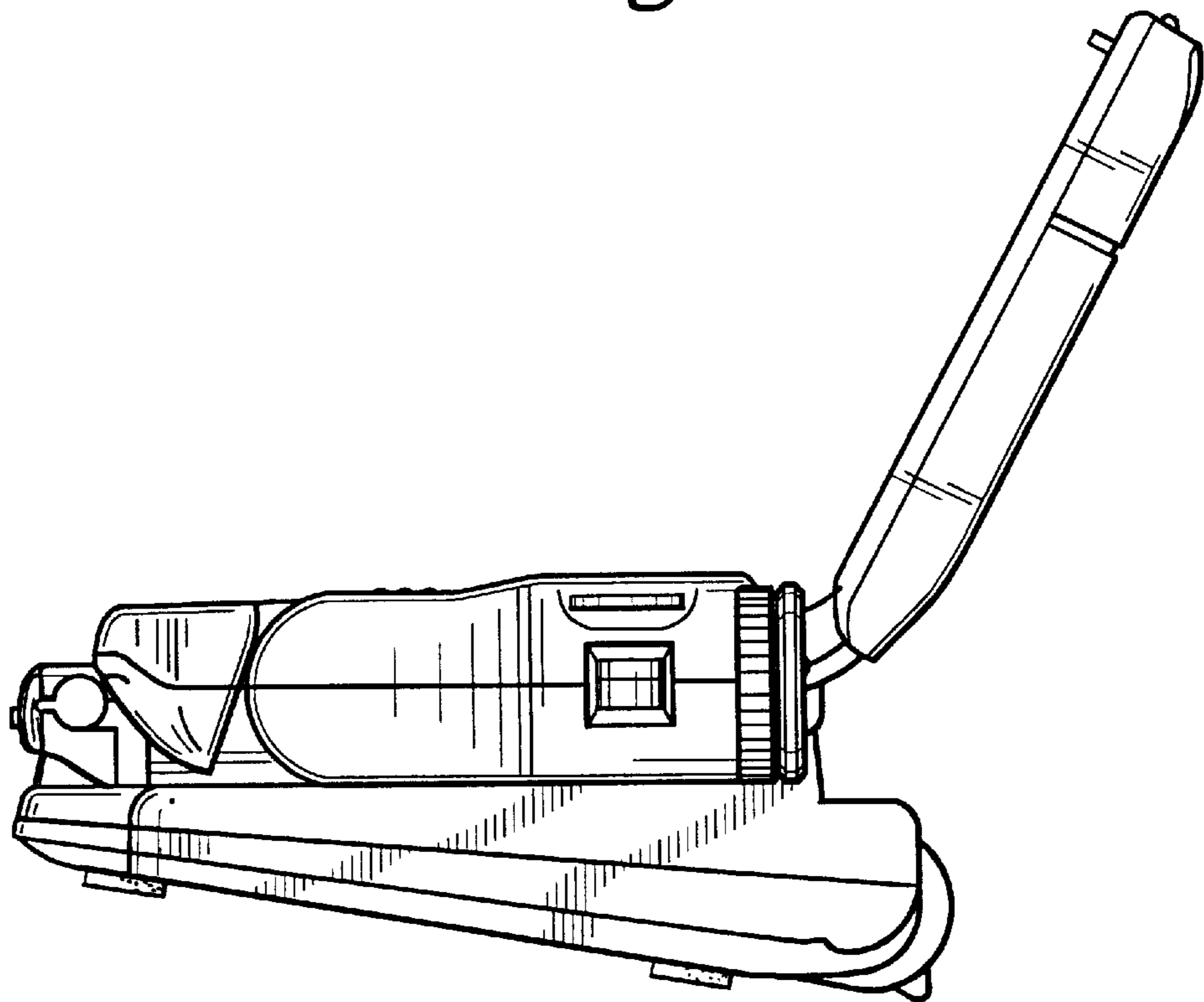


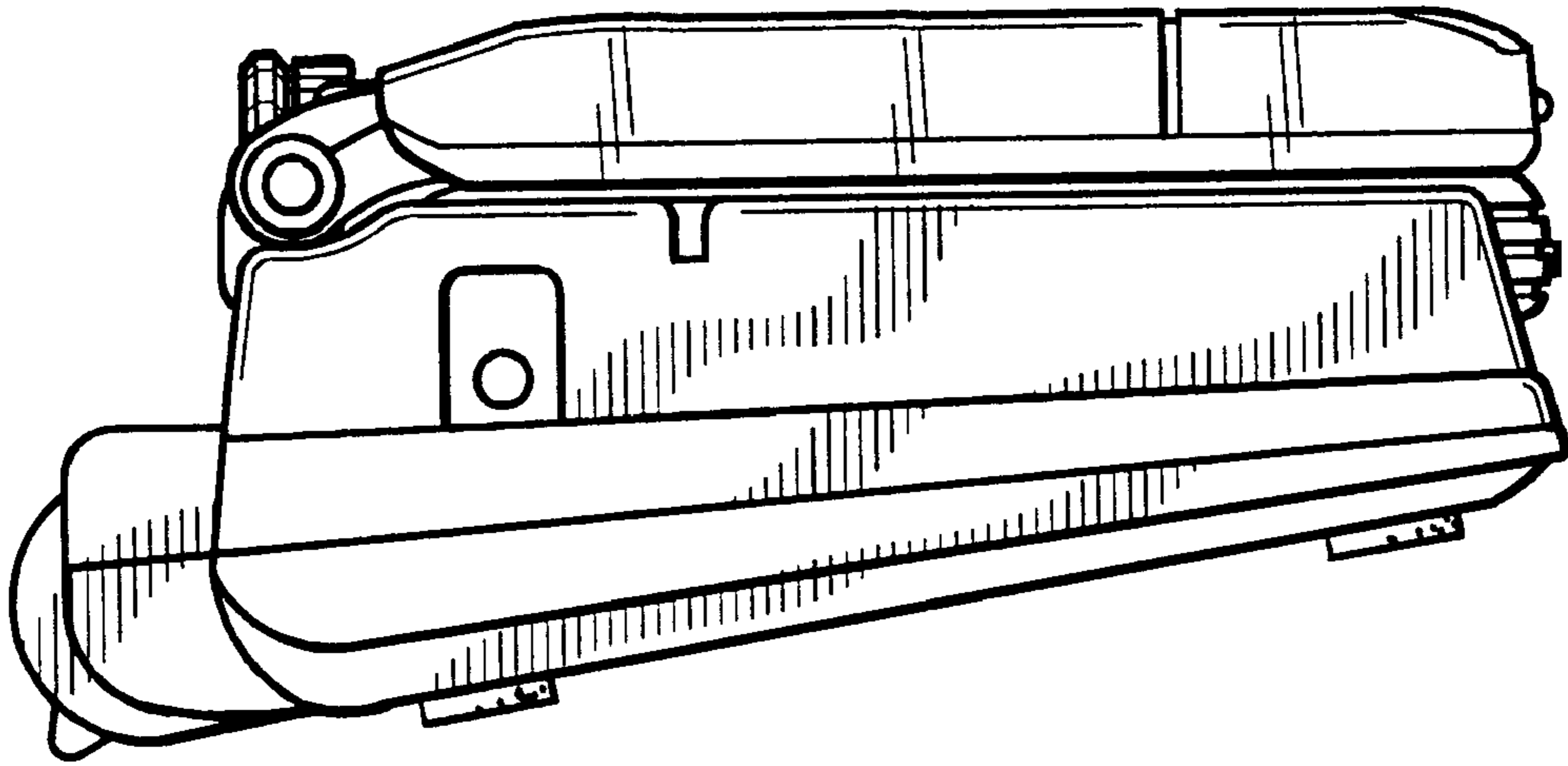
Fig. 4



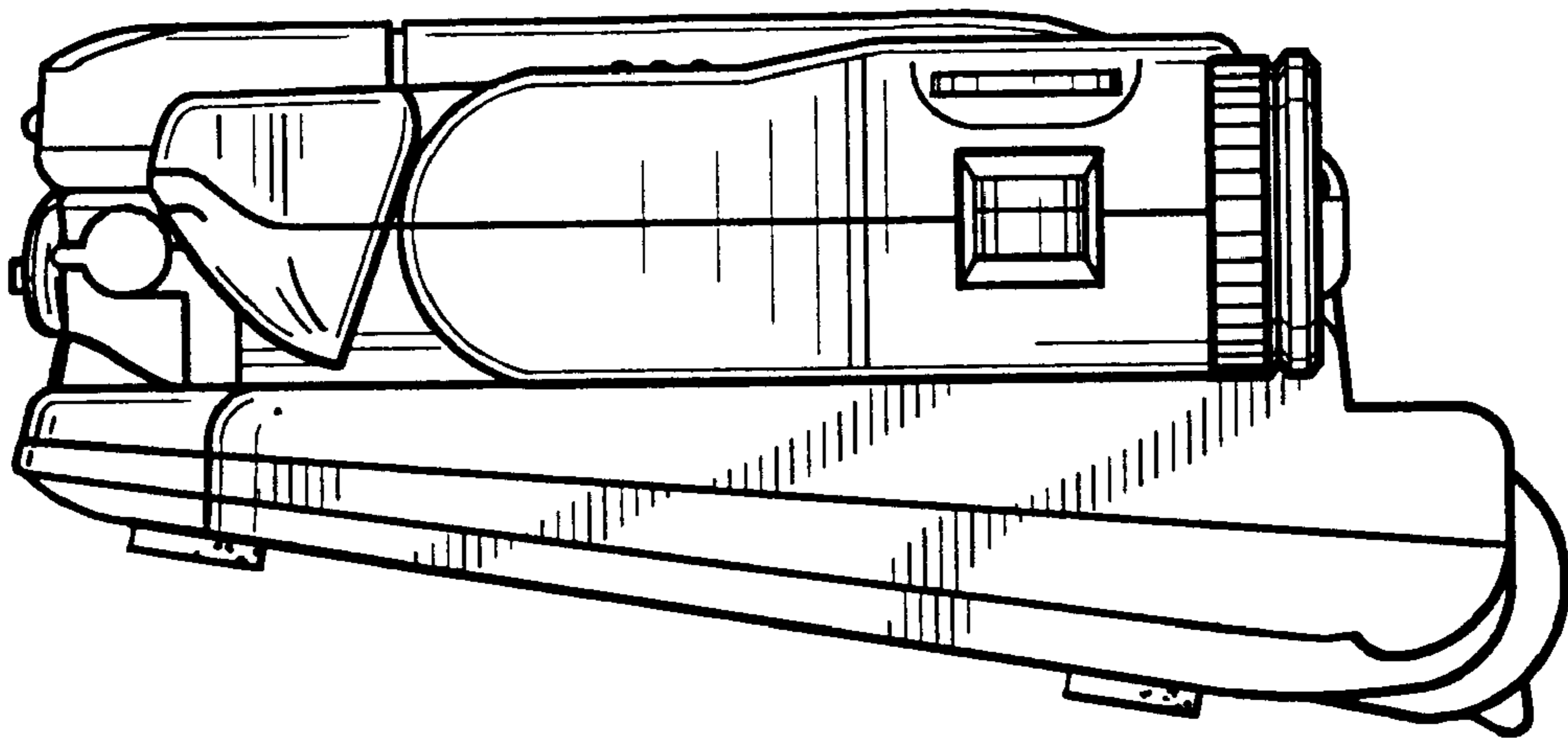
*Fig. 5*



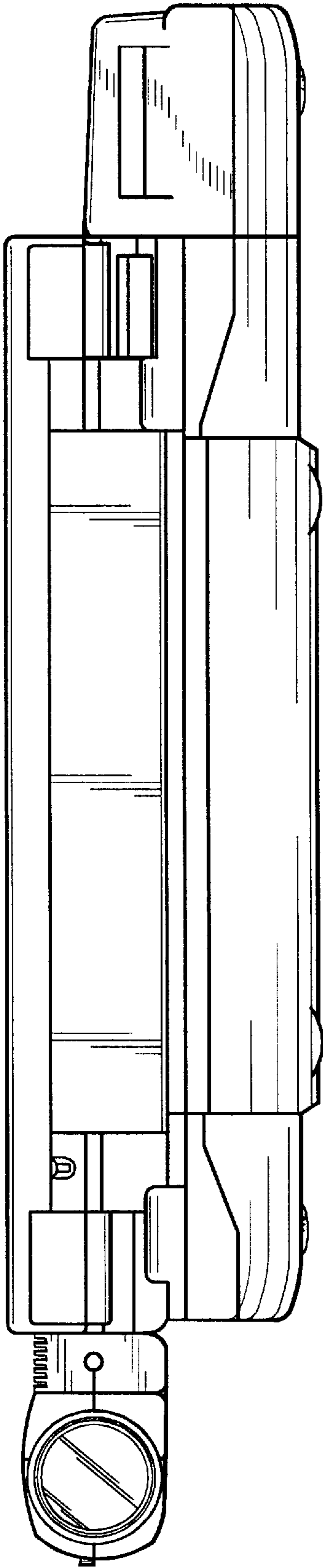
*Fig. 6*



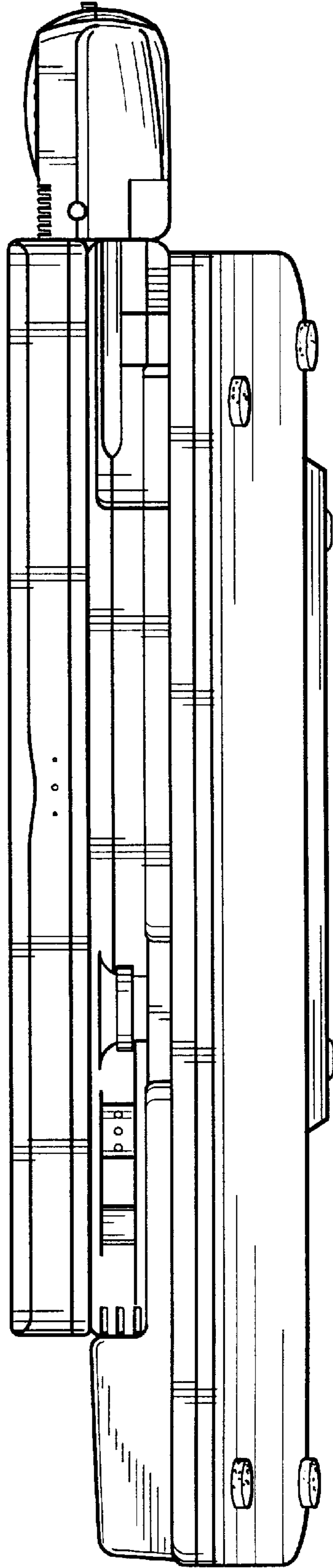
*Fig. 7*



*Fig. 8*



*Fig. 9*



*Fig. 10*



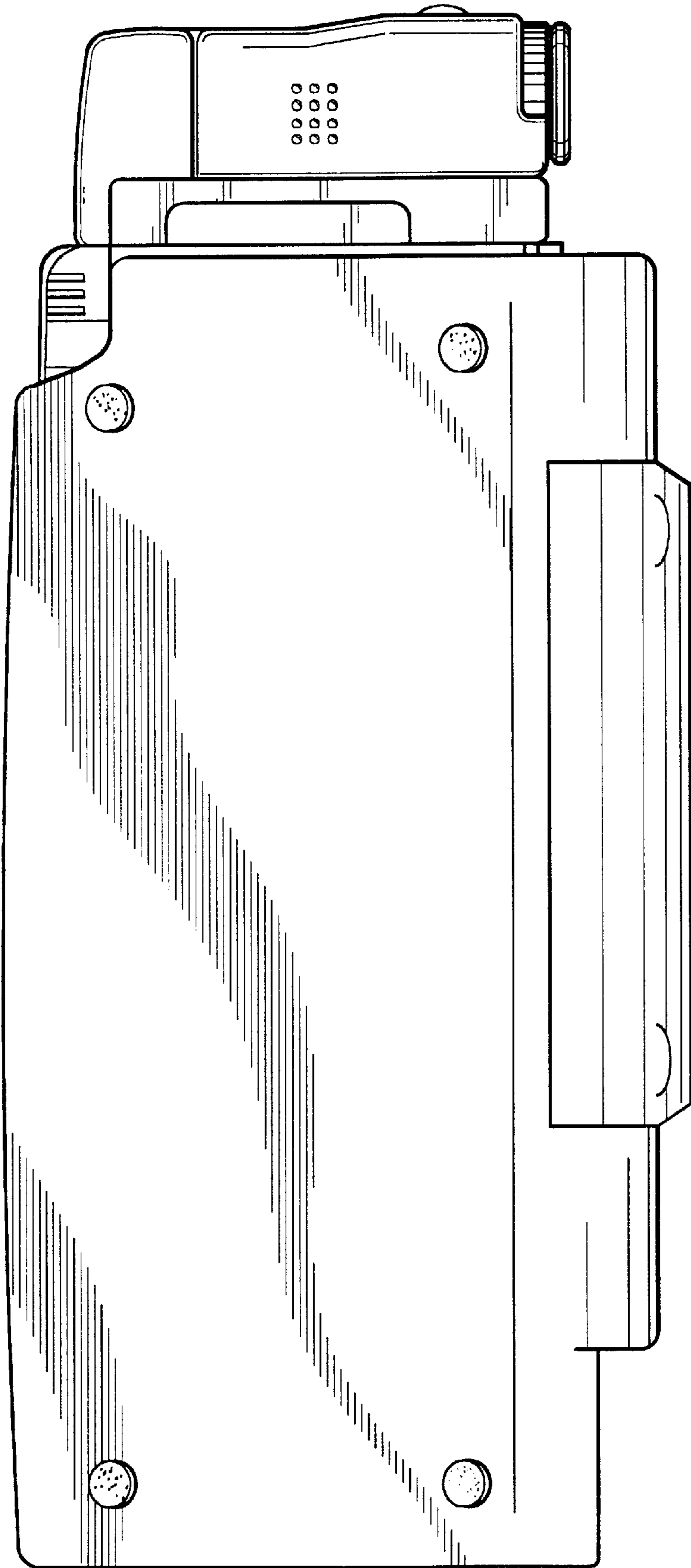
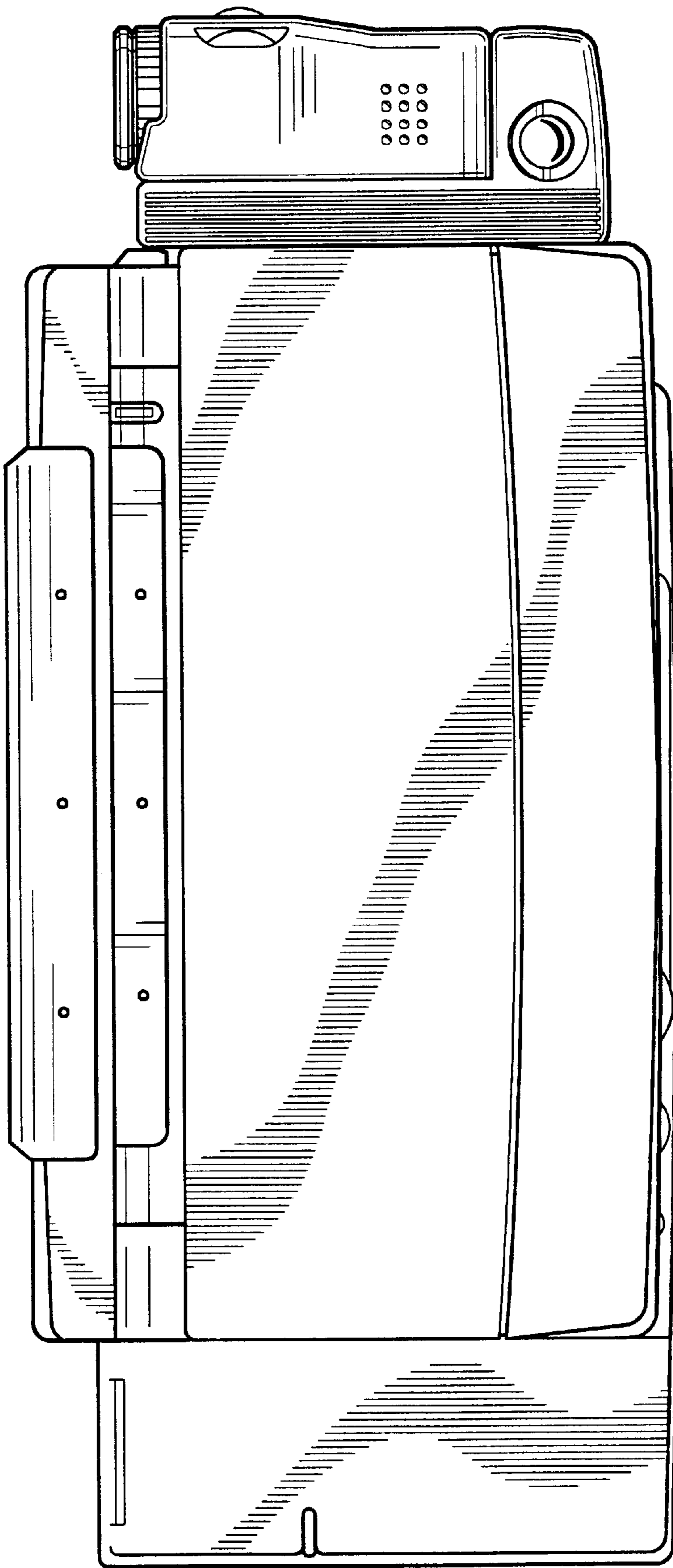


Fig. 11



*Fig. 12*

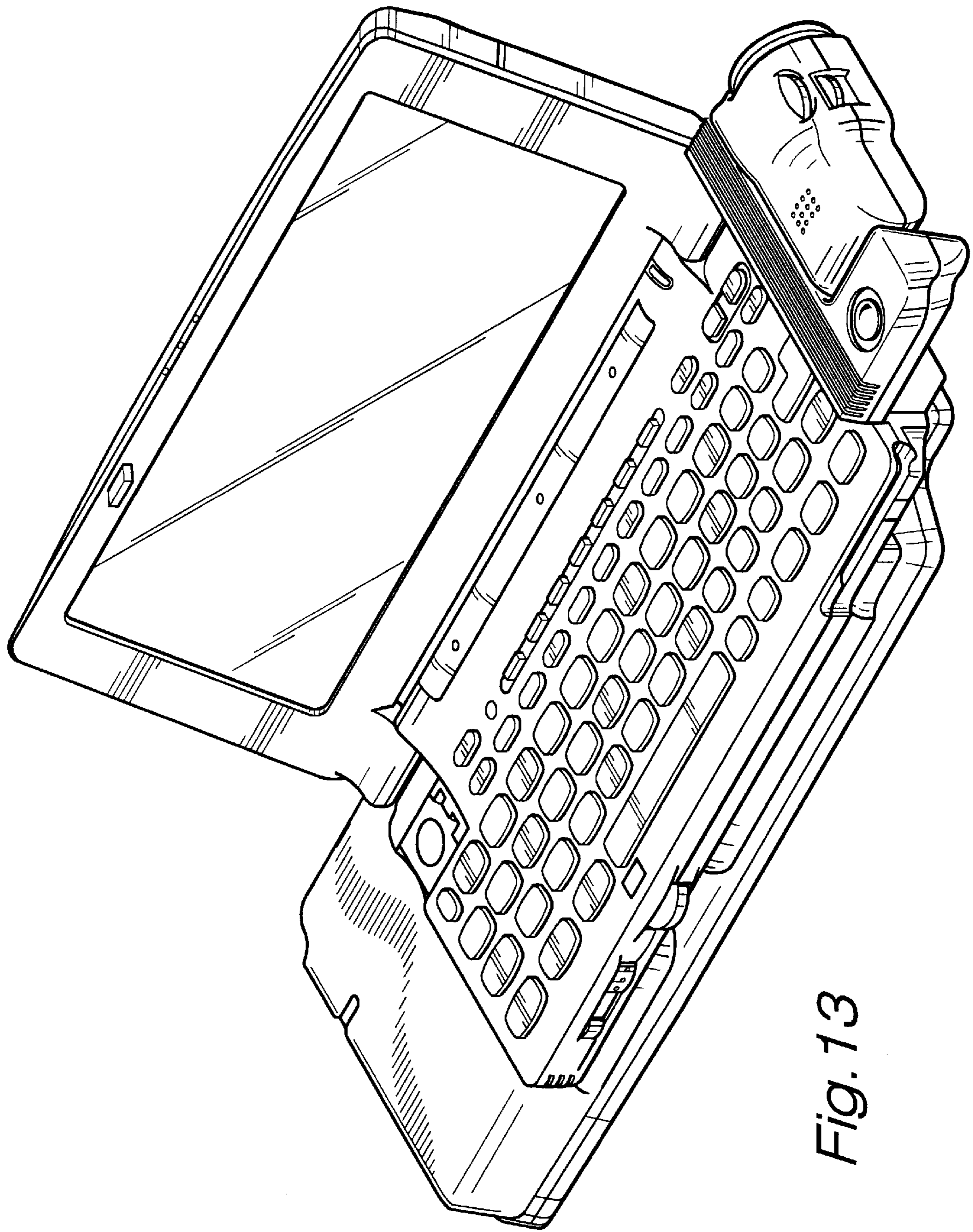


Fig. 13



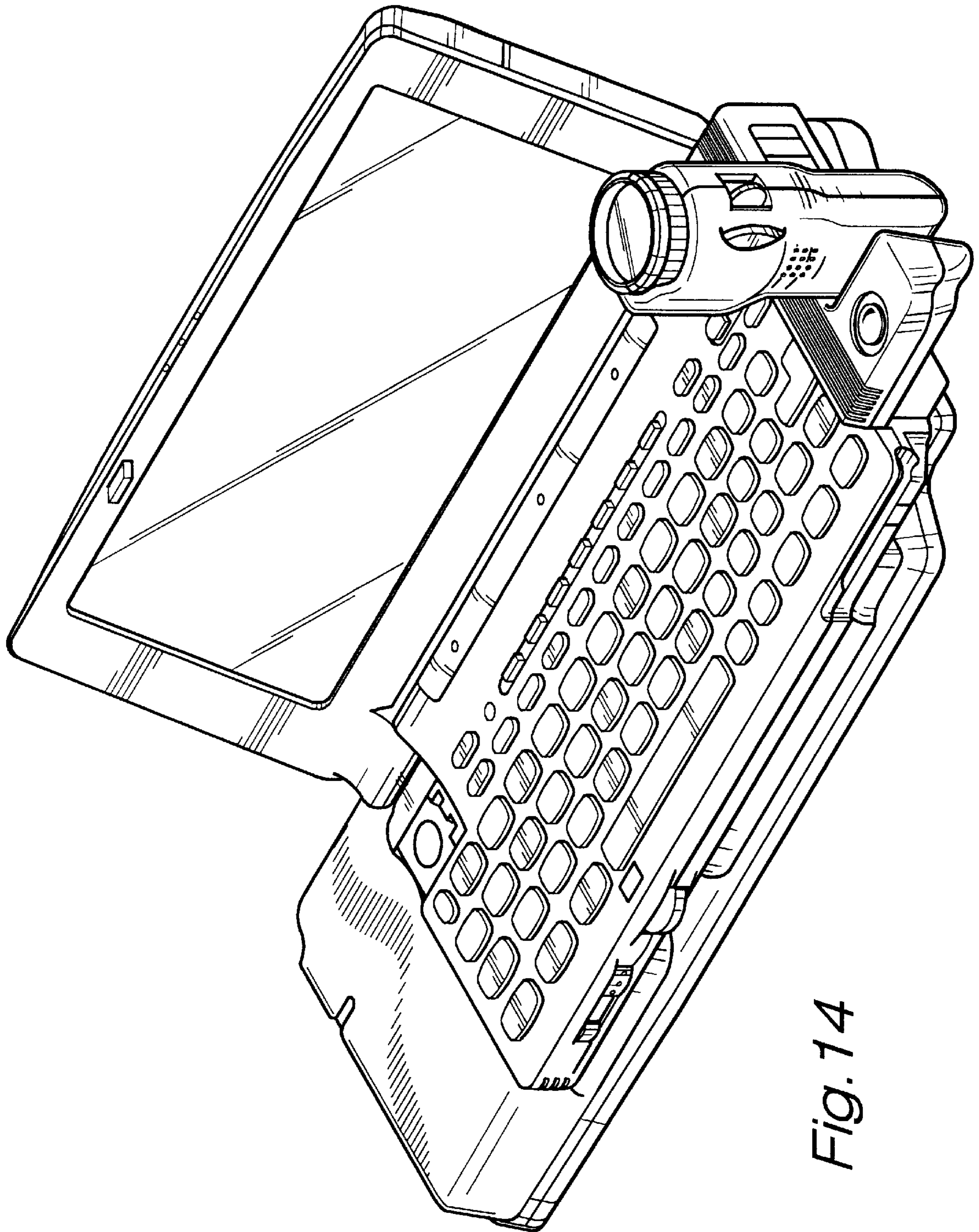


Fig. 14

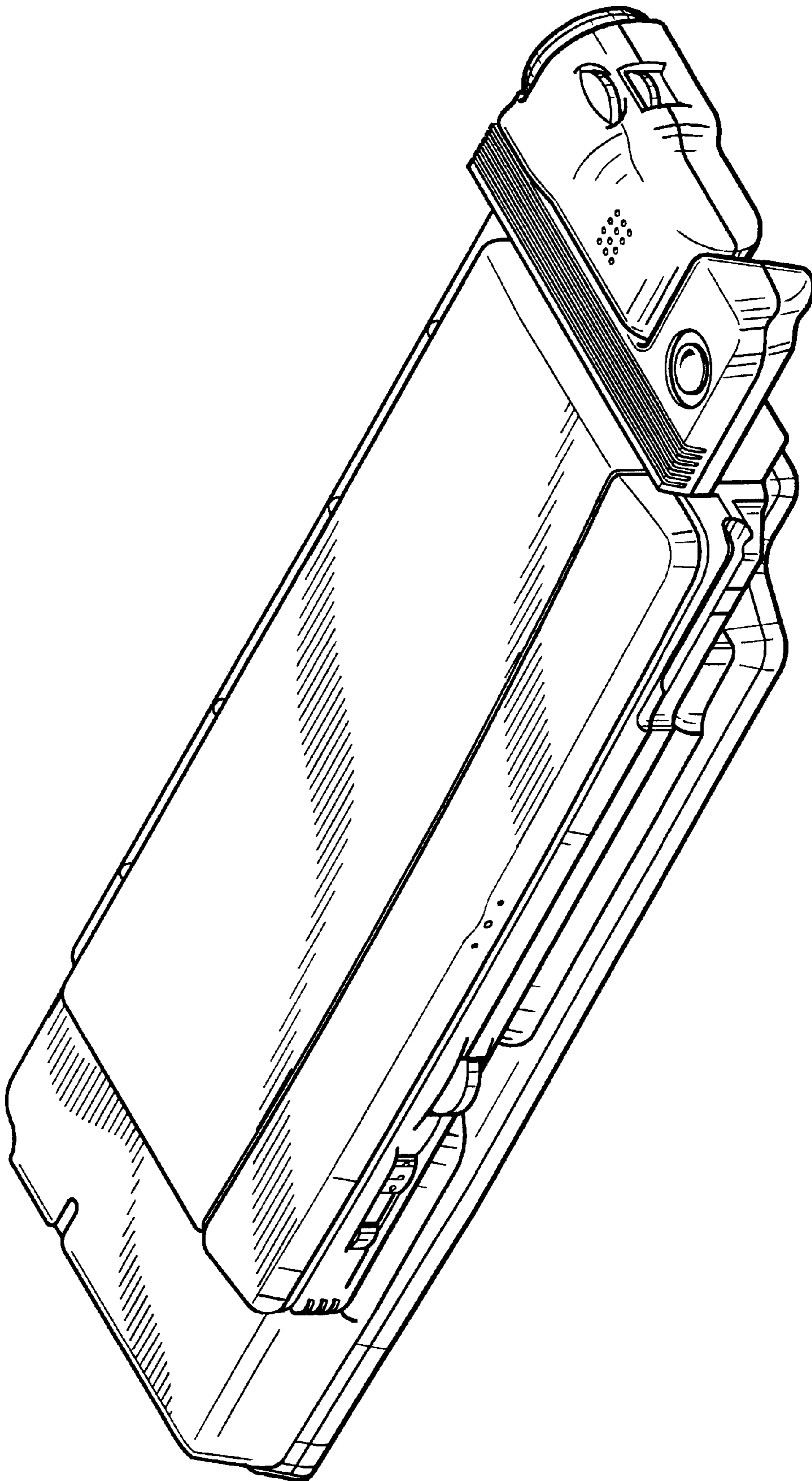


Fig. 15