



US00D409582S

# United States Patent [19] Falkenberg

[11] Patent Number: Des. 409,582

[45] Date of Patent: \*\*May 11, 1999

[54] **MULTIPLE DWELLING UNIT  
COMMUNICATION ENCLOSURE**

D. 370,211 5/1996 Lee ..... D14/102  
D. 375,485 11/1996 Gray ..... D14/102

[75] Inventor: **Dean R. Falkenberg**, Windsor, Calif.

*Primary Examiner*—Freda Nunn  
*Attorney, Agent, or Firm*—Skjerven, Morrill, MacPherson,  
Franklin & Friel LLP; David W. Heid

[73] Assignee: **Next Level Communications**, Rohnert  
Park, Calif.

[\*\*] Term: **14 Years**

[57] **CLAIM**

[21] Appl. No.: **29/079,333**

The ornamental design for a multiple dwelling unit communication enclosure, as shown and described.

[22] Filed: **May 30, 1997**

**DESCRIPTION**

[51] **LOC (6) Cl.** ..... **14-02**

[52] **U.S. Cl.** ..... **D14/102; D13/184; D14/100;  
D14/109**

[58] **Field of Search** ..... D14/100, 102,  
D14/107-109; D6/432, 436, 445, 448; D13/162,  
184, 199; 312/208.1; 360/97.01, 97.04,  
99.12; 369/34, 36; 361/694, 696

FIG. 1 is a perspective front view of a multiple dwelling unit communication enclosure;

FIG. 2 is a front view thereof;

FIG. 3 is a right view thereof;

FIG. 4 is a left side view thereof;

FIG. 5 is a top side view thereof;

FIG. 6 is a rear elevational view thereof; and,

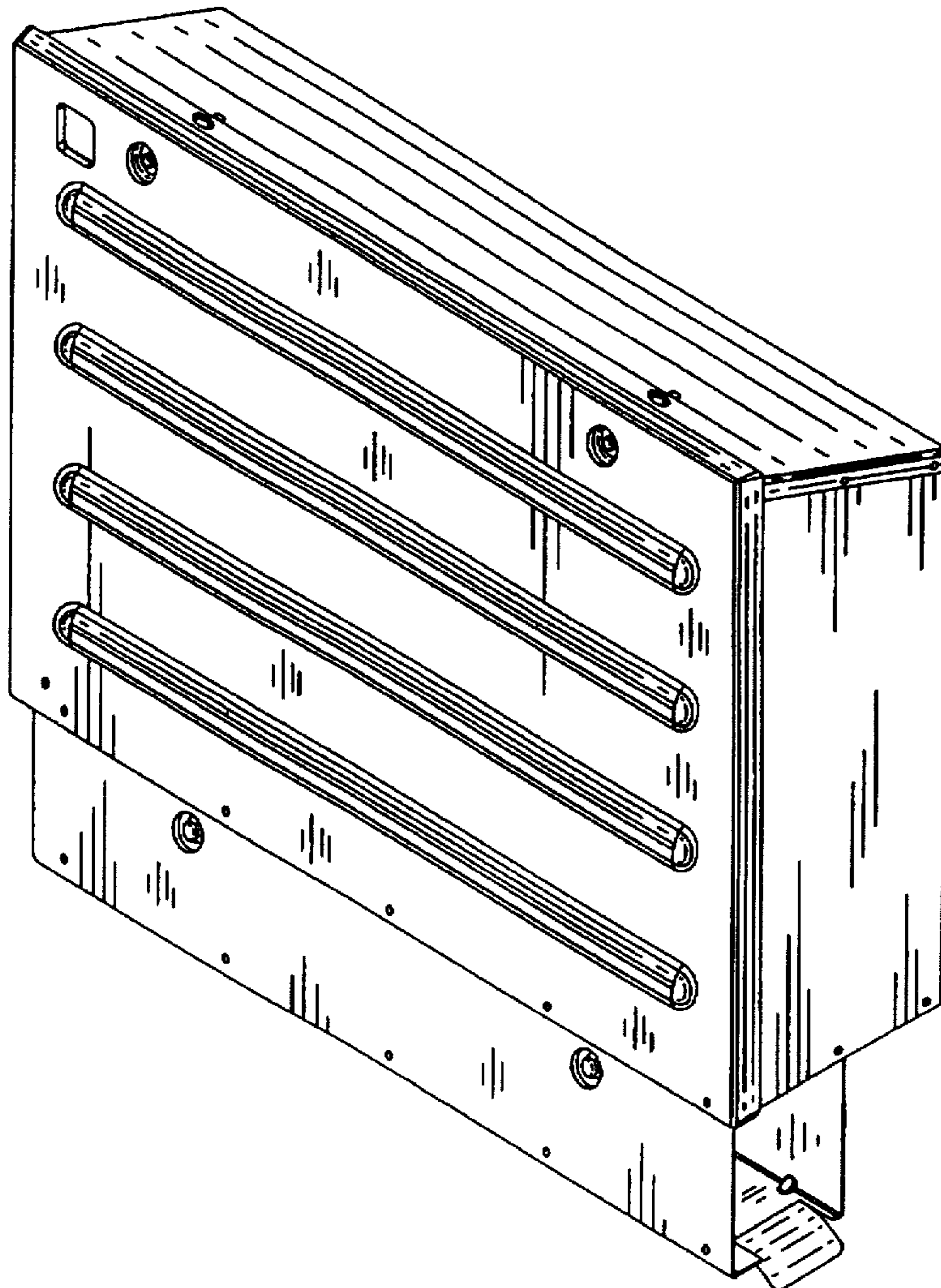
FIG. 7 is a bottom view thereof.

[56] **References Cited**

**U.S. PATENT DOCUMENTS**

D. 338,453 8/1993 Martin ..... D14/100

**1 Claim, 6 Drawing Sheets**



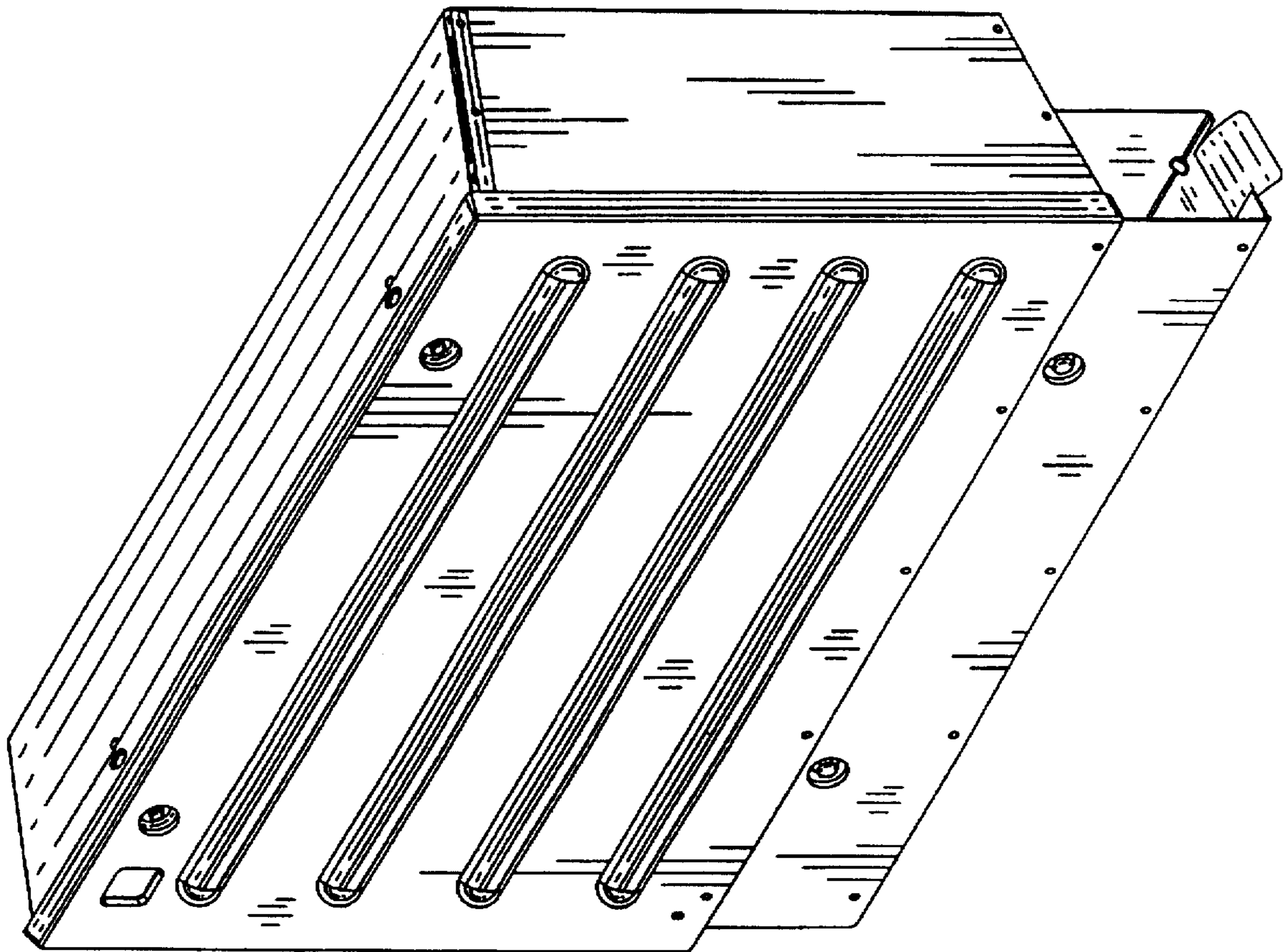


FIG. 1

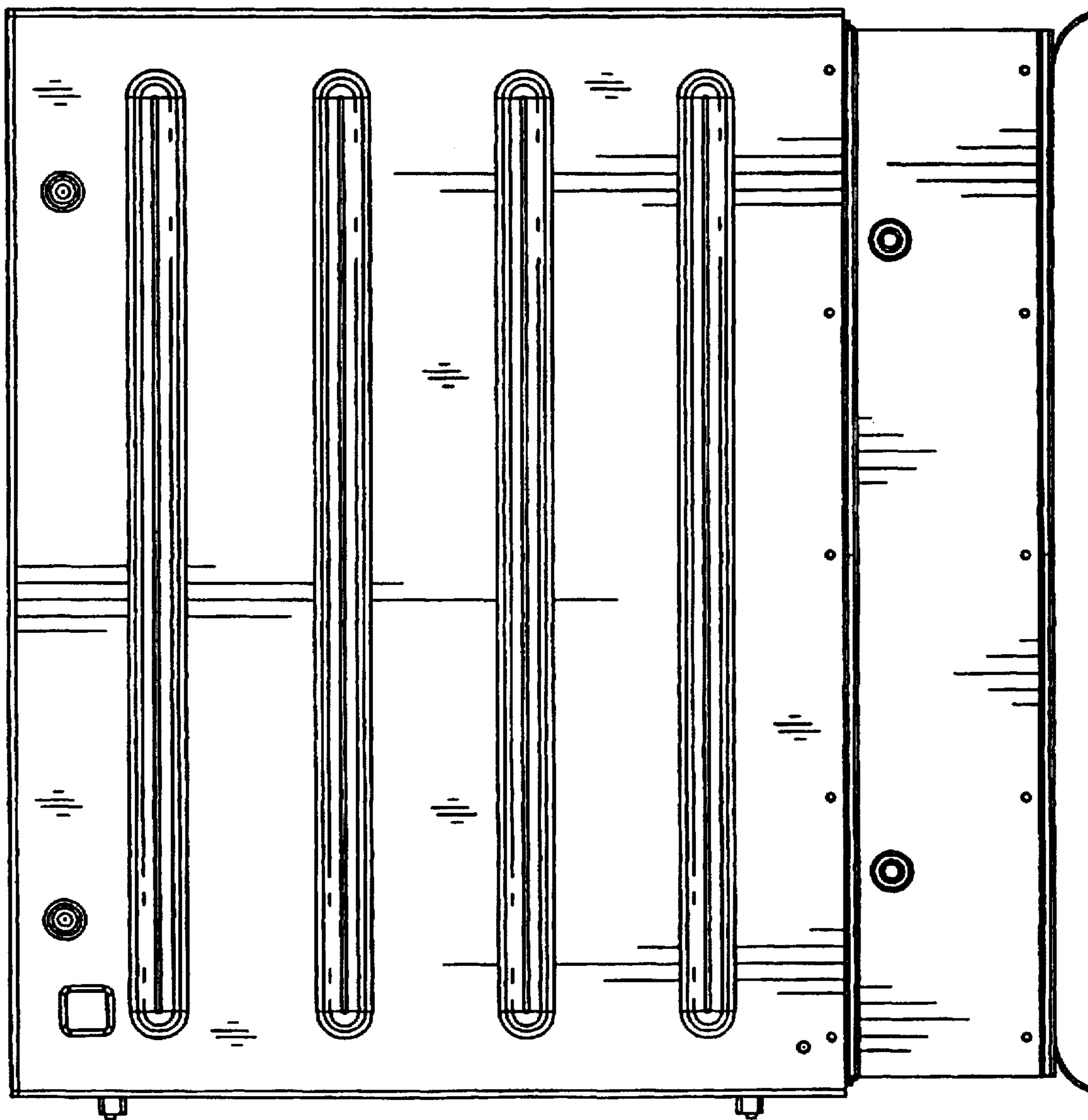


FIG. 2

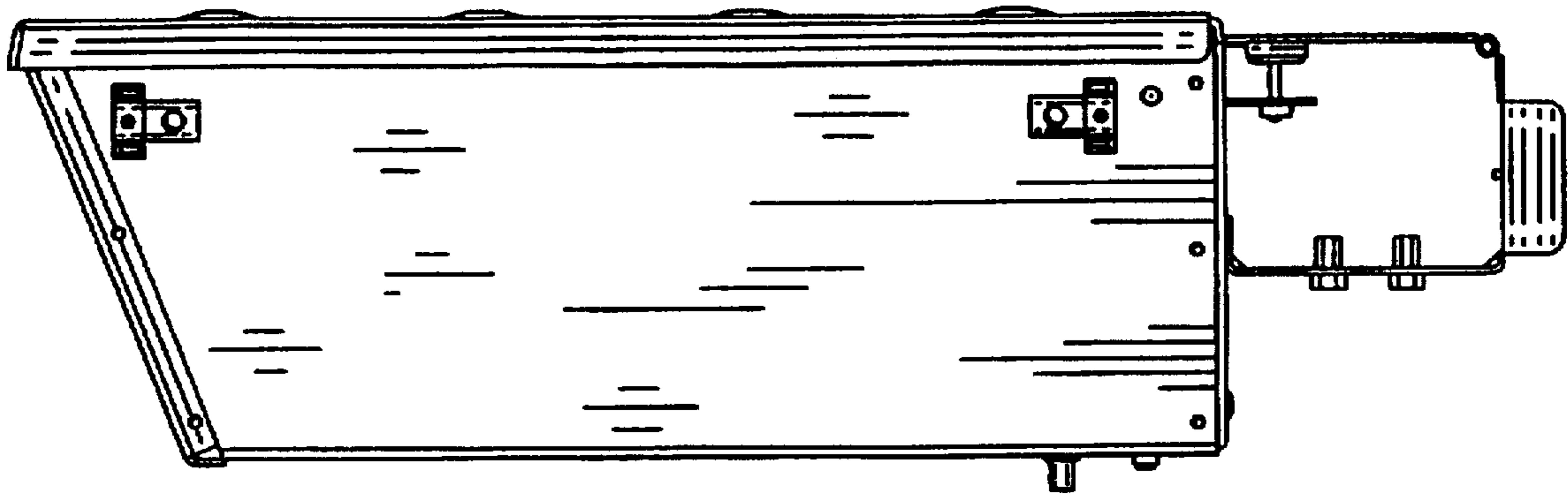


FIG. 4

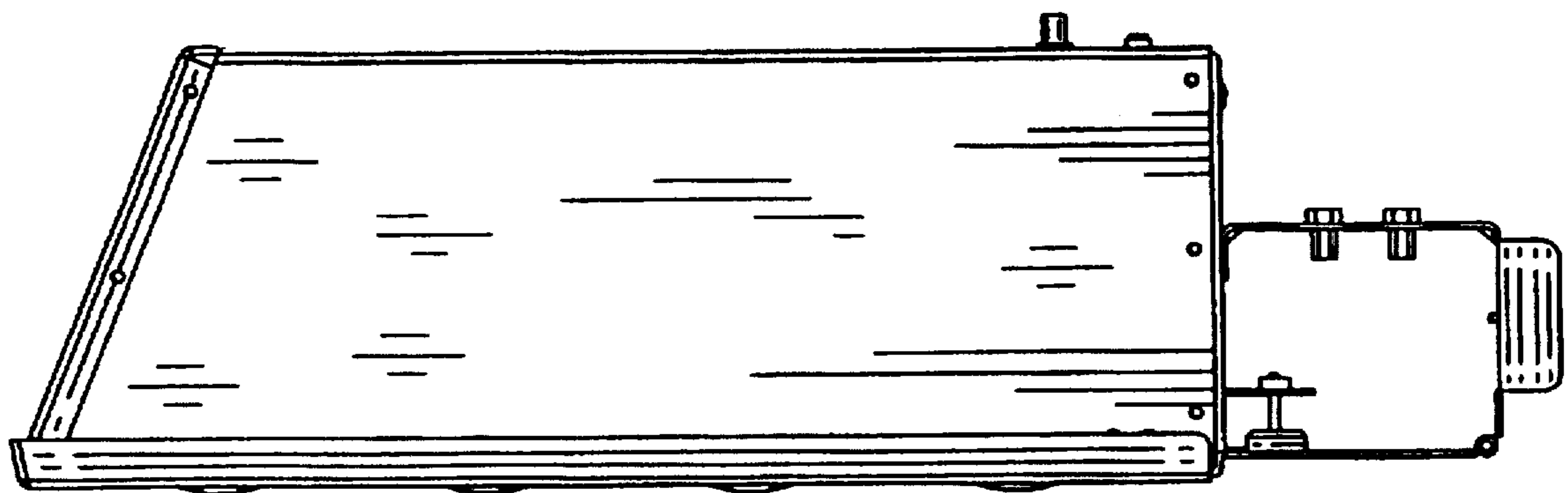


FIG. 3

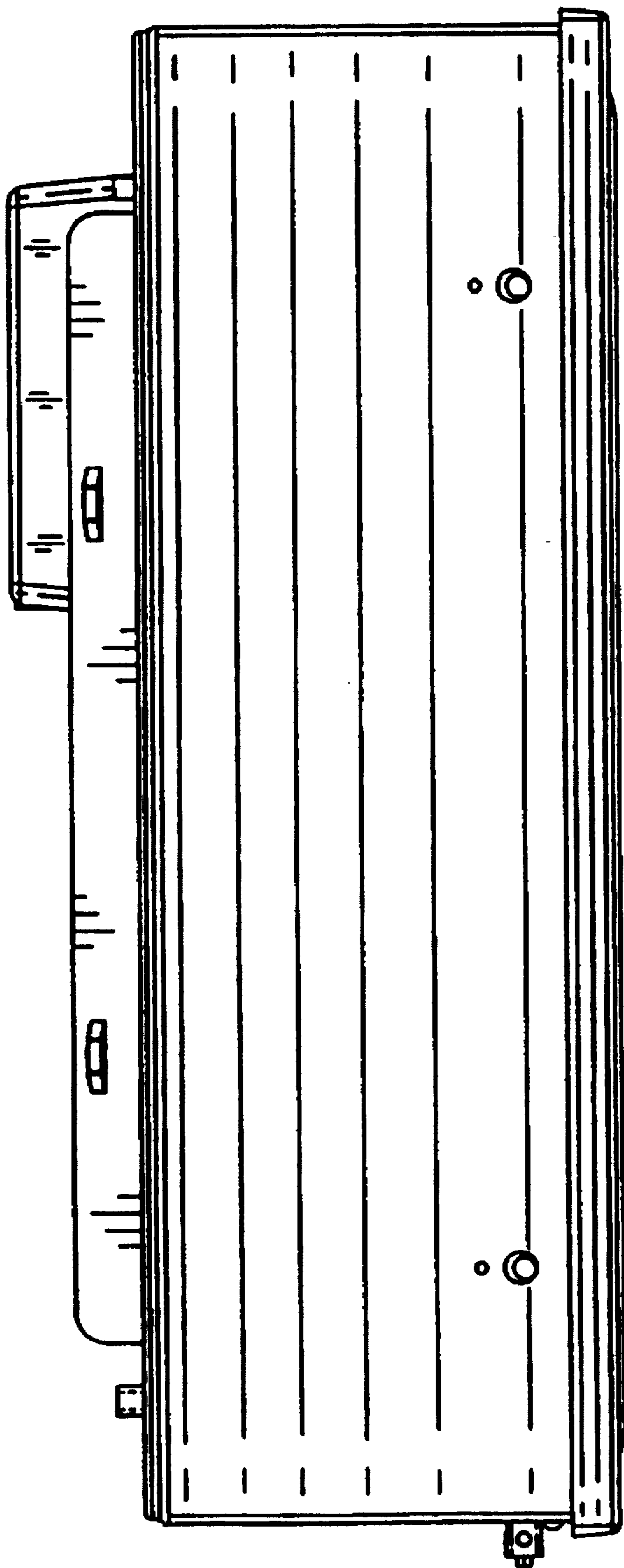


FIG. 5

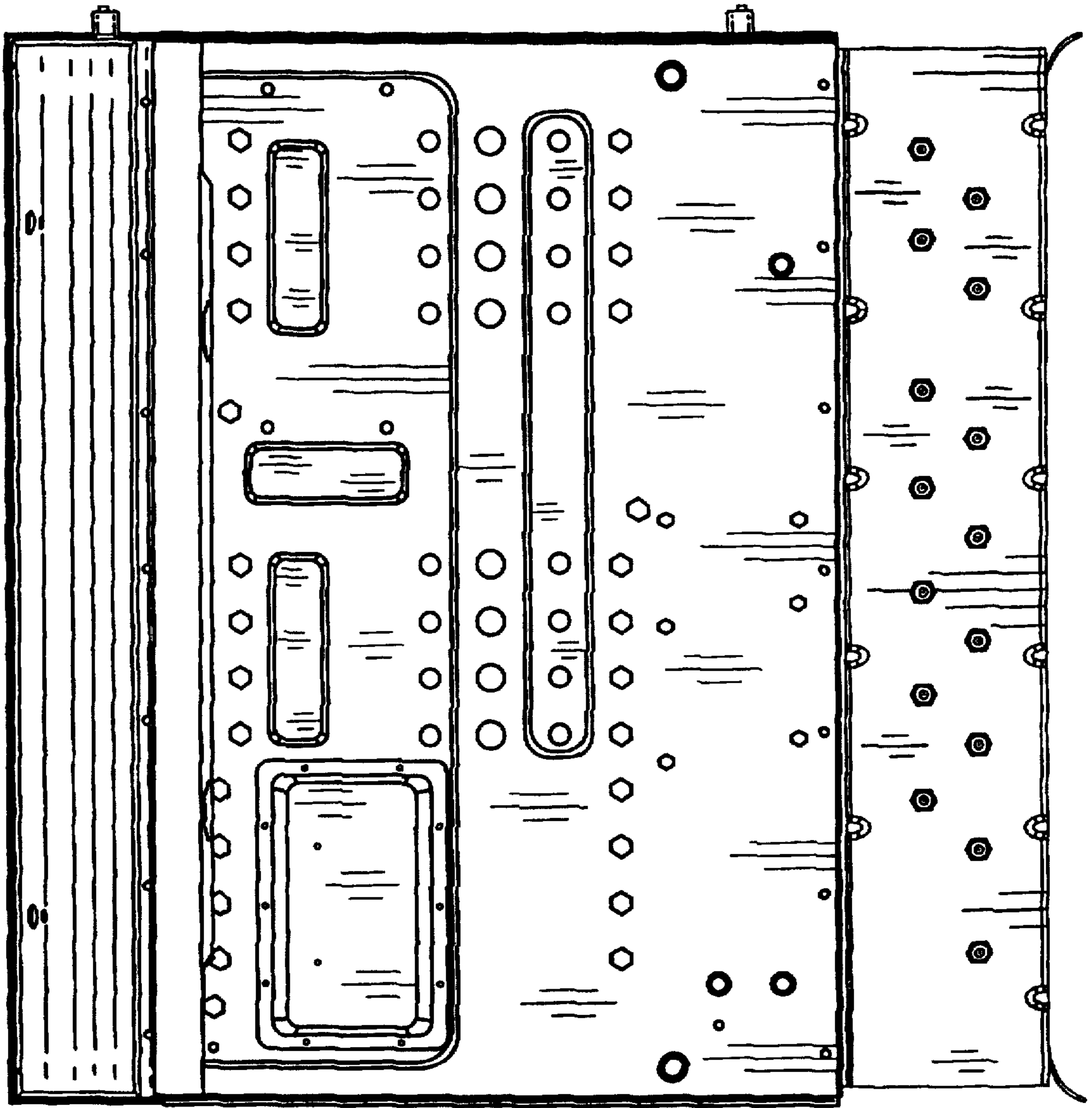


FIG. 6

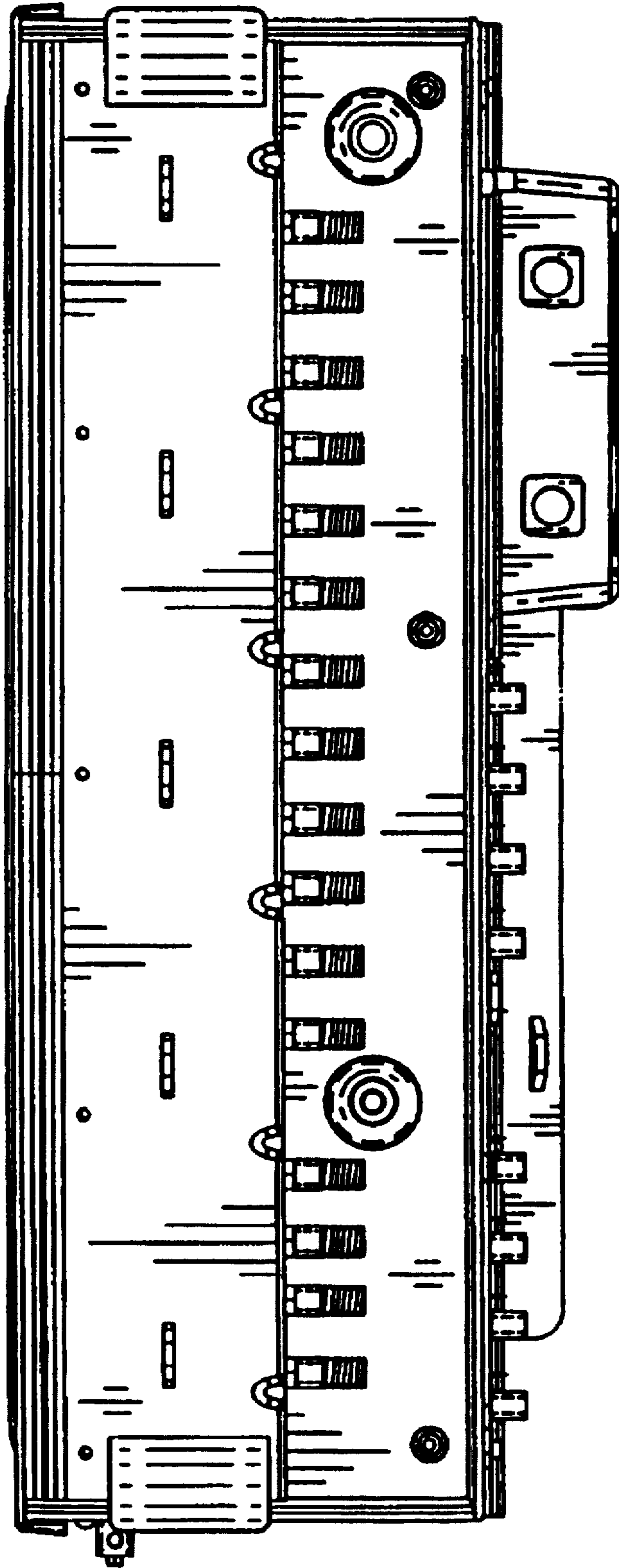


FIG. 7