



US00D409581S

United States Patent [19]

You et al.

[11] Patent Number: Des. 409,581

[45] Date of Patent: ** May 11, 1999

[54] TOWER UNIT PERSONAL COMPUTER

[75] Inventors: **Roger You**, Cerritos; **David Chen**, Agoura Hills; **Matthew Herron**, Palo Alto, all of Calif.

[73] Assignee: **Packard Bell NEC**, Sacramento, Calif.

[**] Term: **14 Years**

[21] Appl. No.: **29/079,365**

[22] Filed: **Nov. 14, 1997**

[51] LOC (6) Cl. **14-02**

[52] U.S. Cl. **D14/100; D14/109**

[58] Field of Search D14/100, 102, D14/107-109; D13/162, 184, 199; D6/432, 436, 445, 448; 312/223.2, 223.3; 360/99.12; 361/694, 696, 730, 732, 736, 740; 369/34, 36

[56] References Cited

U.S. PATENT DOCUMENTS

- D. 380,741 7/1997 Hill et al. D14/107
- D. 383,734 9/1997 Muenkel et al. D14/102

Primary Examiner—Freda Nunn
Attorney, Agent, or Firm—Fitch, Even, Tabin & Flannery

[57] CLAIM

The ornamental design for a tower unit personal computer, as shown and described.

DESCRIPTION

FIG. 1 is a perspective view of a tower unit personal computer with a removable drive attached shown in phantom in accordance with the present invention;

FIG. 2 is similar to FIG. 1 but with the removable drive shown removed in phantom;

FIG. 3 is a front elevational view of the tower unit personal computer illustrated in FIG. 1;

FIG. 4 is a rear elevational view of the tower unit personal computer illustrated in FIG. 1;

FIG. 5 is a side elevational view of a tower unit personal computer of the right side relative to FIG. 1;

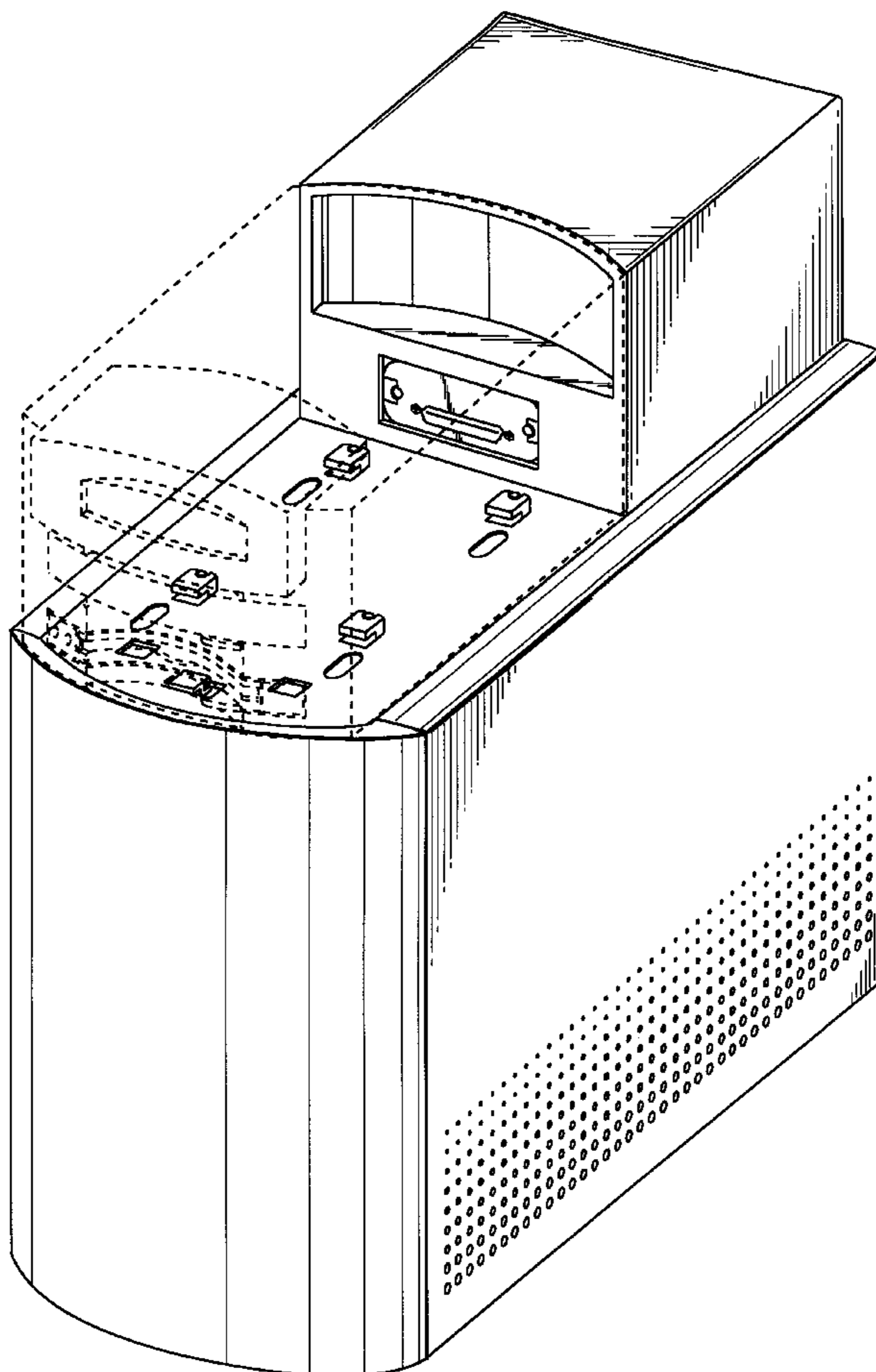
FIG. 6 is a side elevational view similar to FIG. 5 but illustrating the left side;

FIG. 7 is a top plan view of the tower unit personal computer illustrated in FIG. 1; and,

FIG. 8 is bottom plan view of the tower unit personal computer illustrated in FIG. 1.

The broken lines are shown in FIGS. 1 and 2 for illustrative purposes only and form no part of the claimed design.

1 Claim, 5 Drawing Sheets



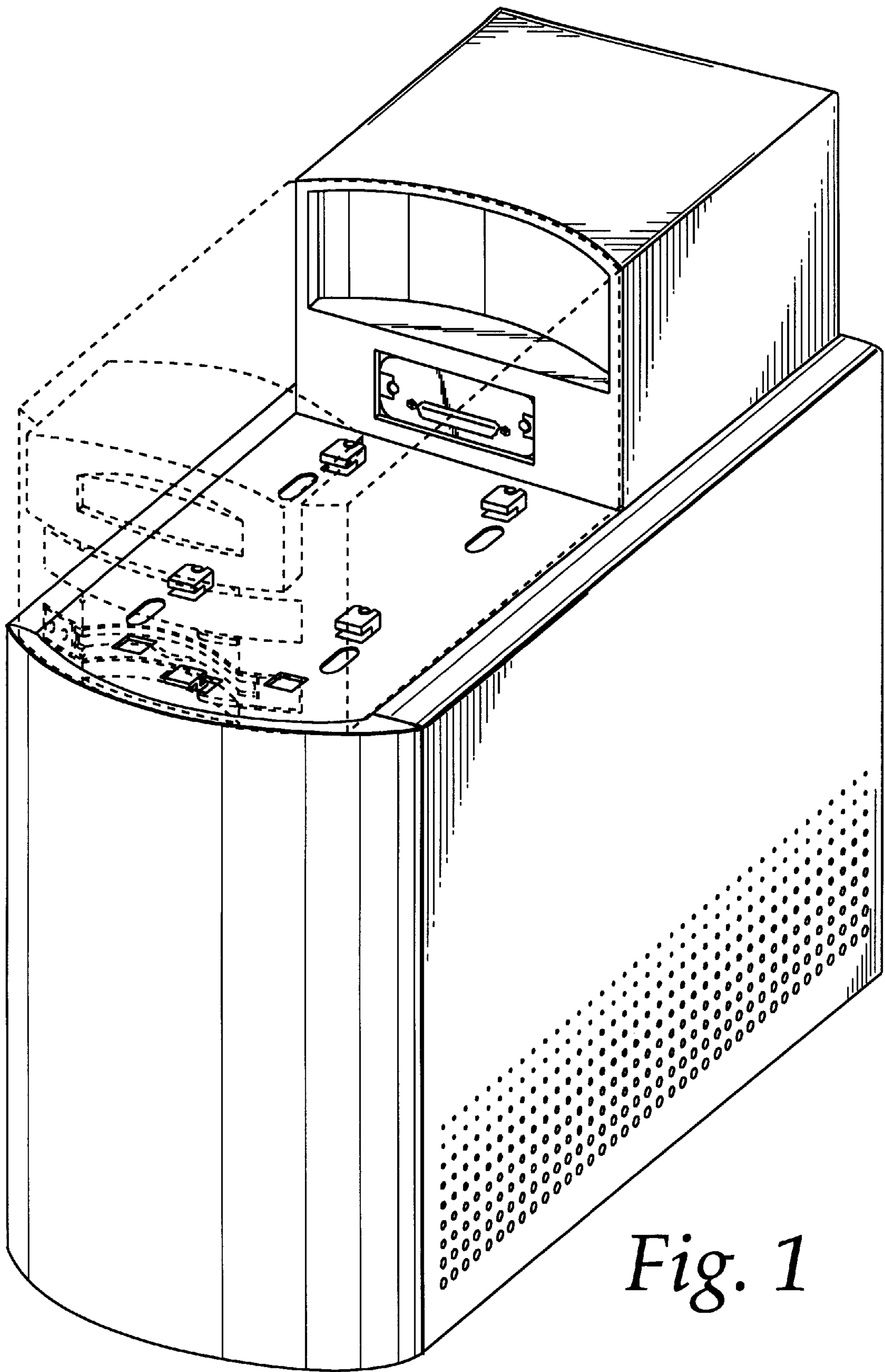


Fig. 1

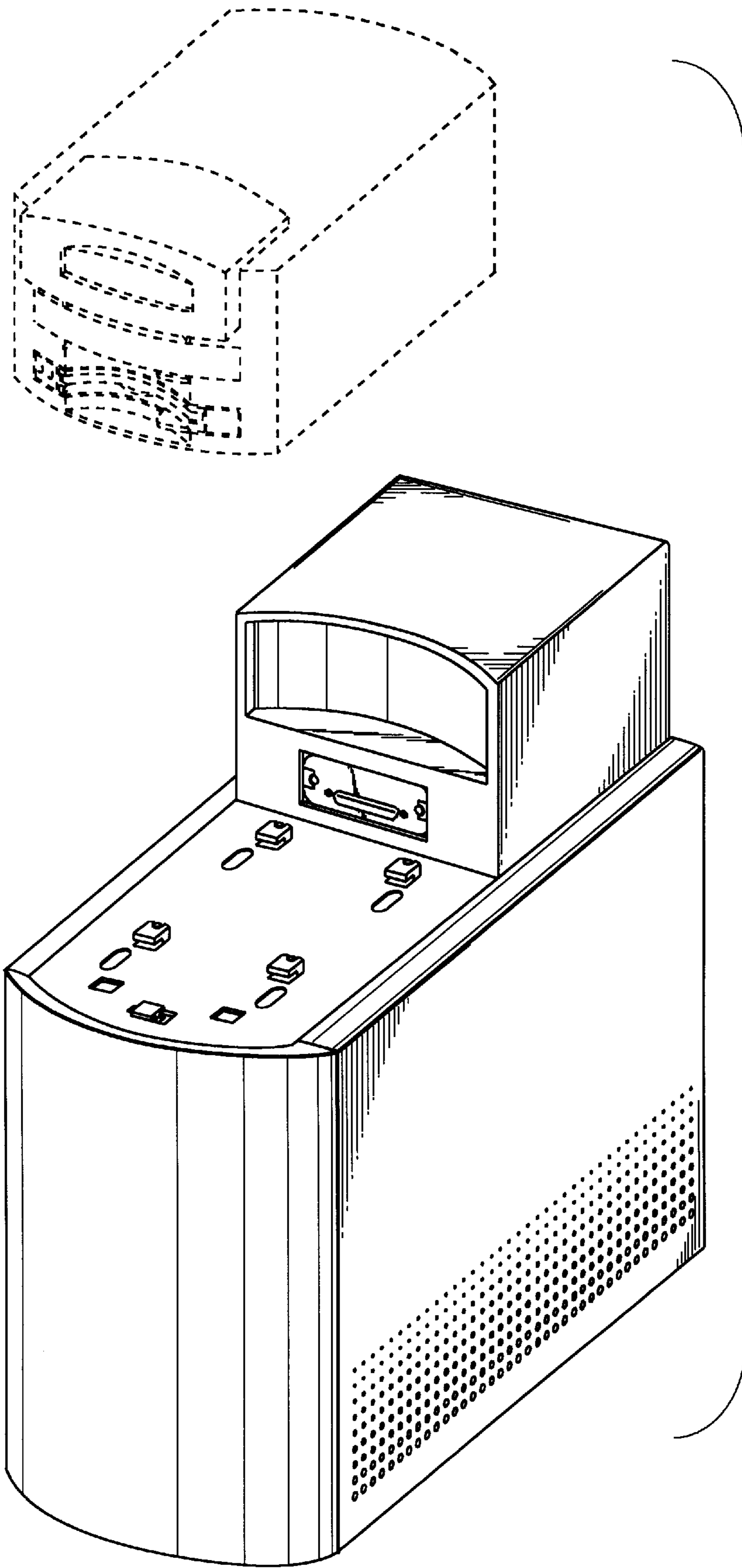


Fig. 2

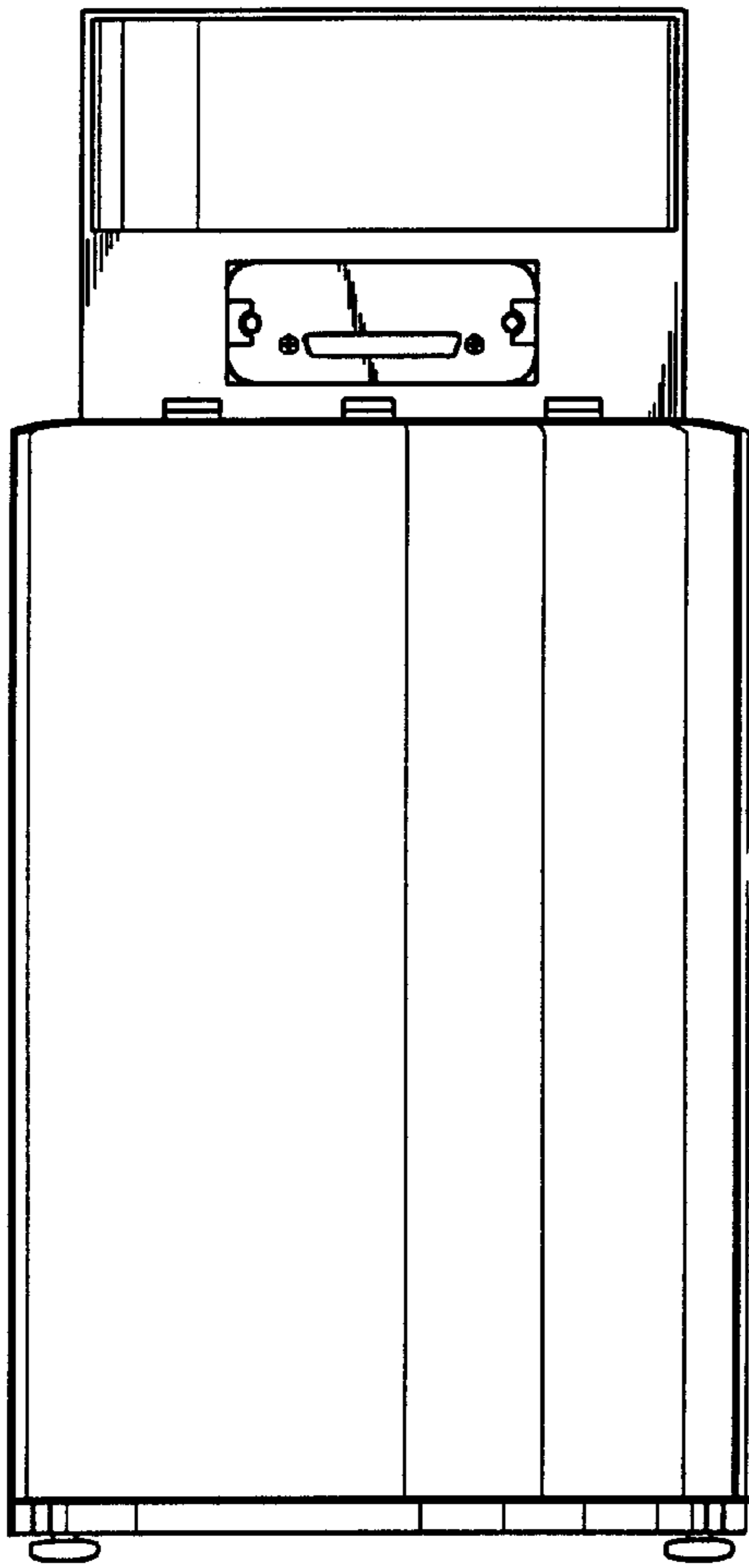


Fig. 3

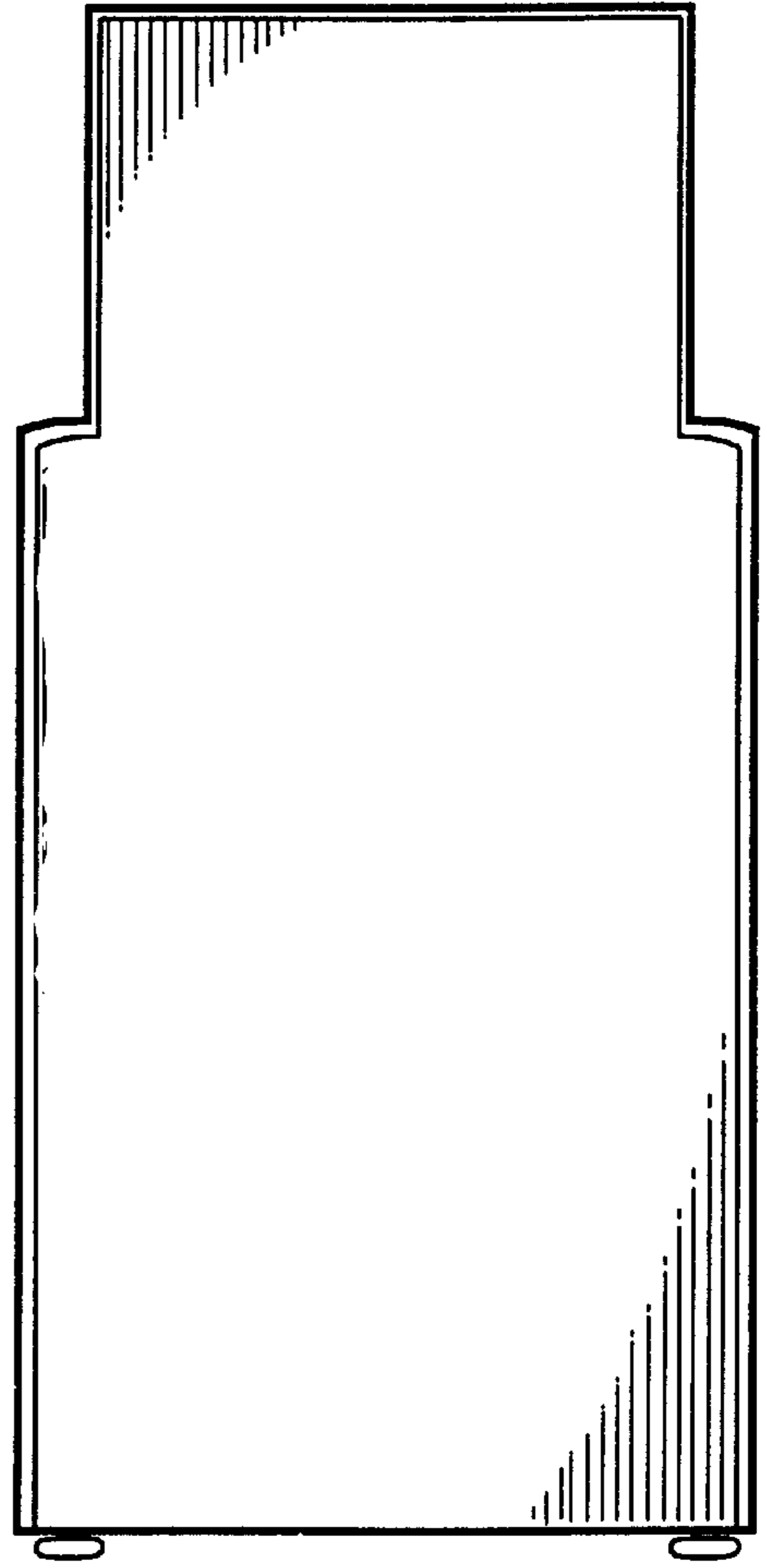


Fig. 4

Fig. 5

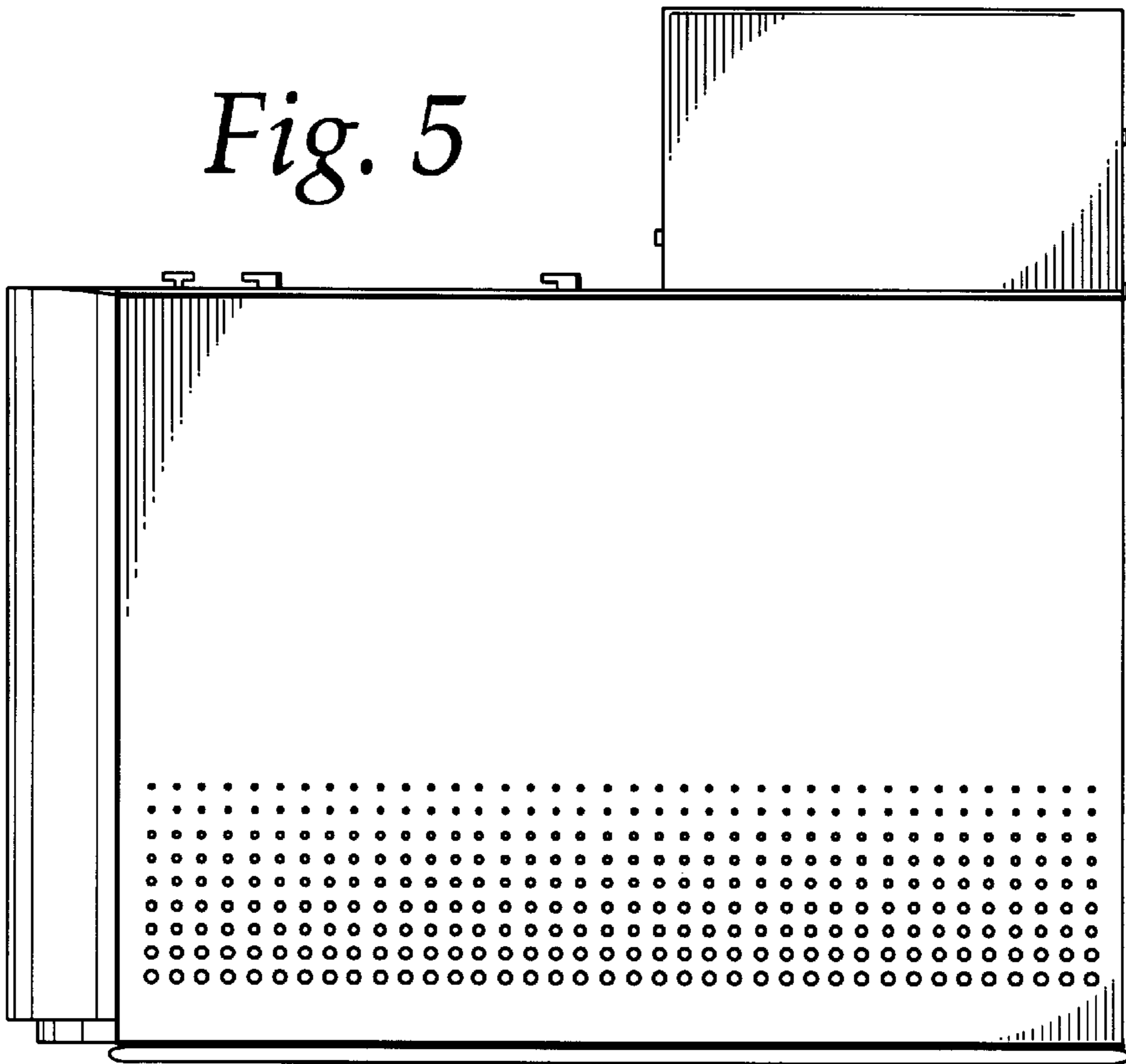
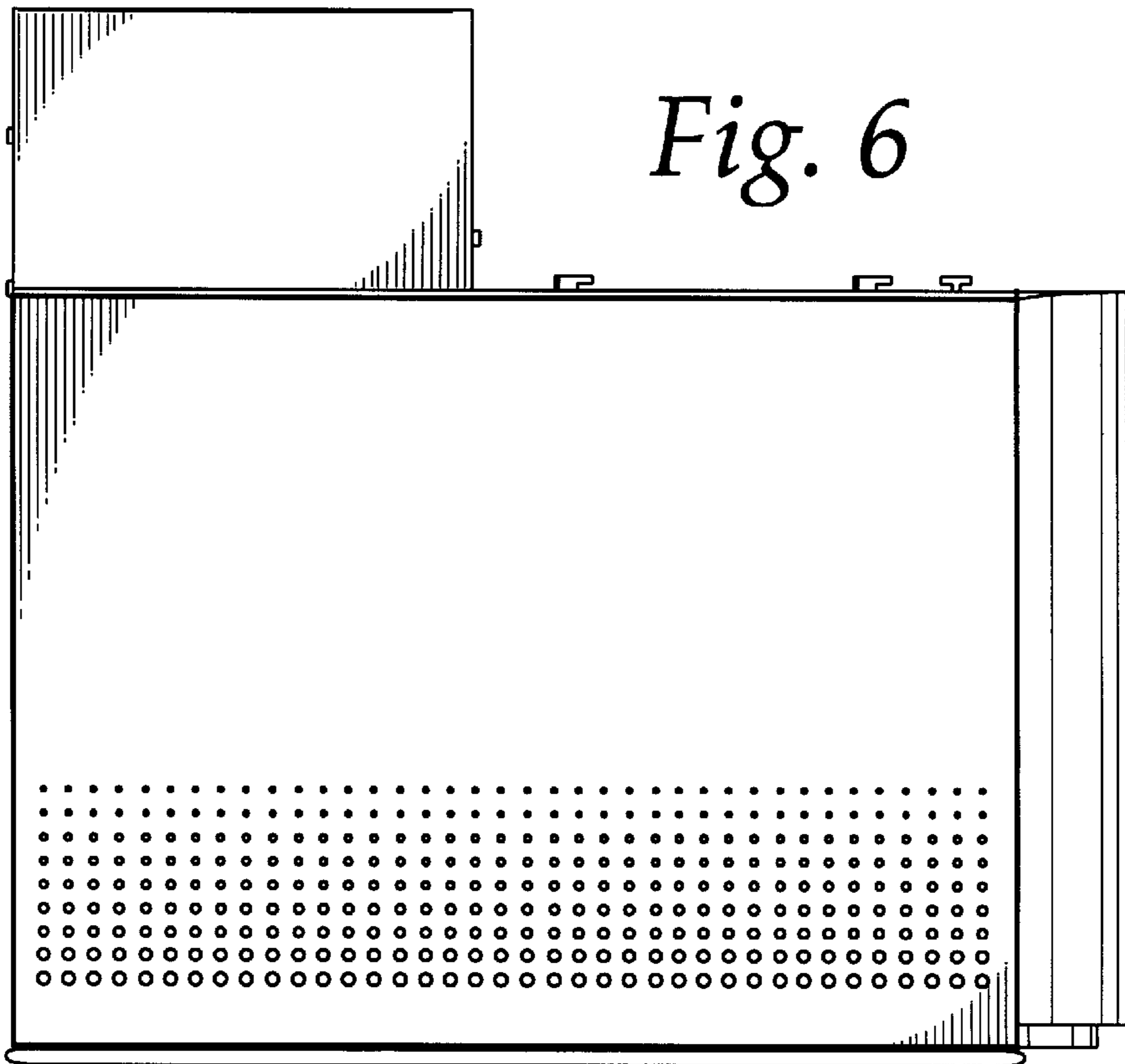


Fig. 6



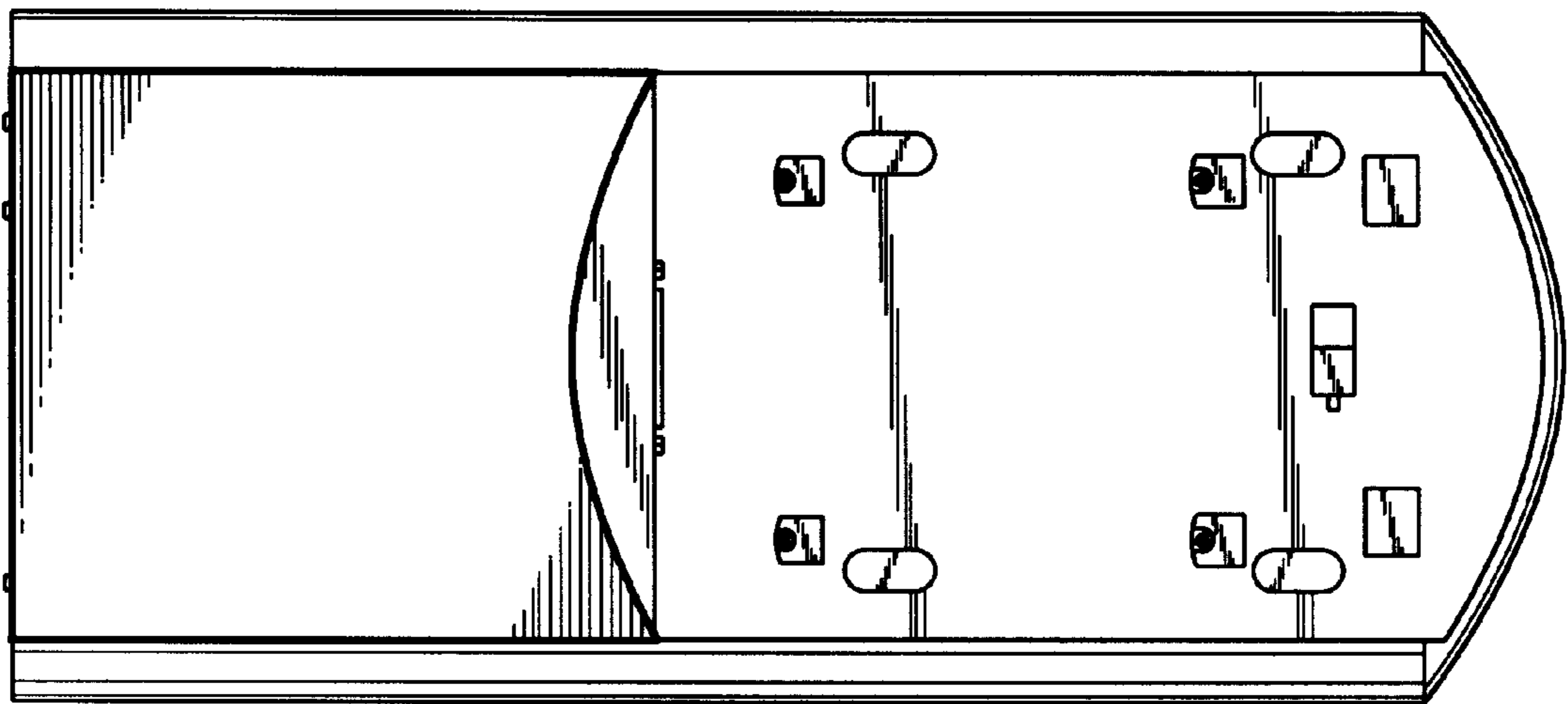


Fig. 7

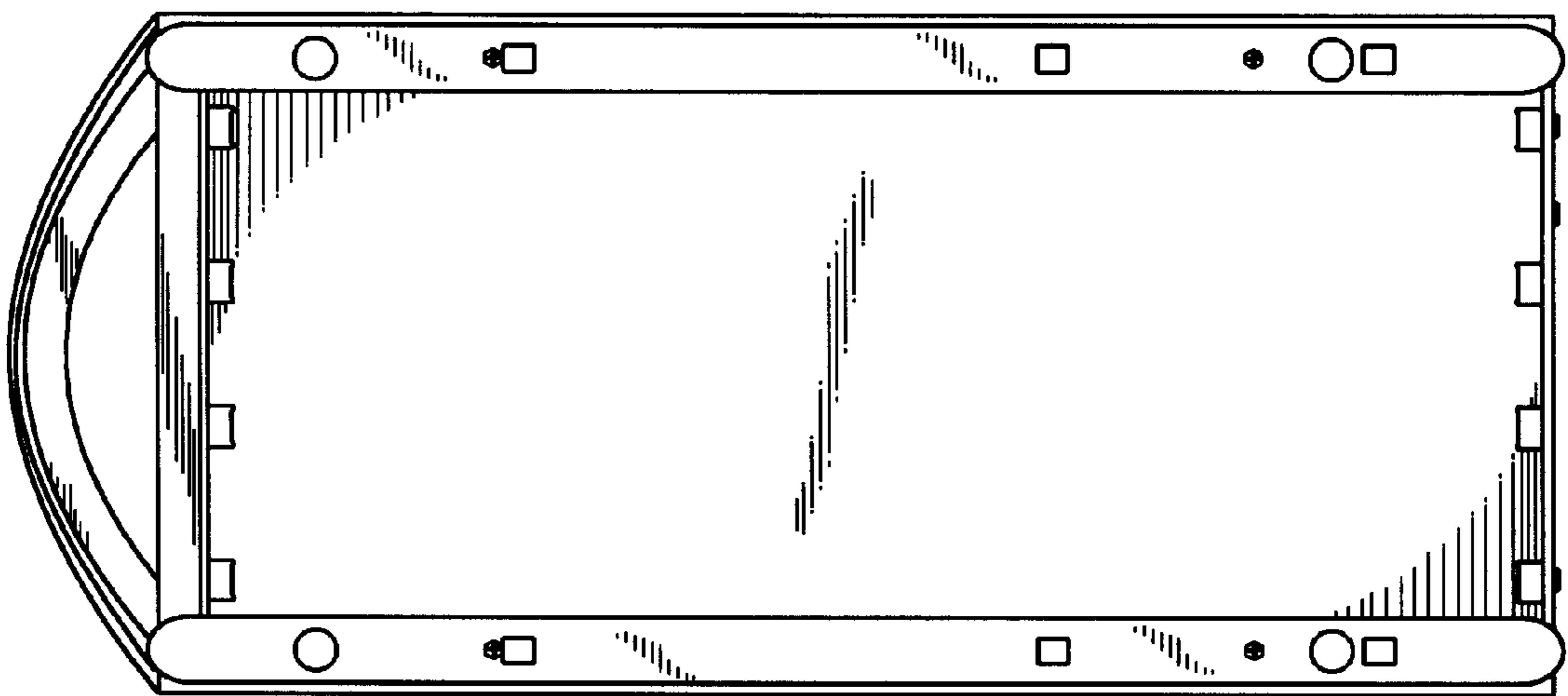


Fig. 8

UNITED STATES PATENT AND TRADEMARK OFFICE
Certificate

Patent No. D 409,581

Patented: May 11, 1999

On petition requesting issuance of a certificate for correction of inventorship pursuant to 35 U.S.C. 256, it has been found that the above identified patent, through error and without any deceptive intent, improperly sets forth the inventorship.

Accordingly, it is hereby certified that the correct inventorship of this patent is: Roger You, Cerritos, CA; David Chen, Agoura Hills, CA; Matthew Herron, Palo Alto, CA; Jacques Gagne, Los Altos, CA; Dore Mark, San Francisco, CA; and Kevin Coullahan, San Jose, CA.

Signed and Sealed this Thirtieth Day of September 2003.

ALAN P. DOUGLAS
Supervisory Patent Examiner
Art Unit 2911