



US00D409578S

United States Patent [19] Jones

[11] **Patent Number: Des. 409,578**

[45] **Date of Patent: ** May 11, 1999**

[54] **REMOTE CONTROL TRANSMITTER**

[75] Inventor: **Mark Jones**, Long Beach, Calif.

[73] Assignee: **Magnadyne Corporation**, Compton, Calif.

[**] Term: **14 Years**

[21] Appl. No.: **29/083,620**

[22] Filed: **Feb. 13, 1998**

[51] **LOC (6) Cl.** **13-03**

[52] **U.S. Cl.** **D13/168**

[58] **Field of Search** D13/162, 168;
D21/324; D14/174, 191, 218; 340/825,
825.22, 825.23, 825.24, 825.25, 825.31,
825.32, 825.36, 825.58, 825.69, 825.72;
123/179.2; 341/176

[56] **References Cited**

U.S. PATENT DOCUMENTS

D. 341,837 11/1993 Curbbun D14/218

D. 346,152 4/1994 Zaugg D13/168
D. 351,828 10/1994 Pucci et al. D13/168
D. 377,458 1/1997 Tsui D14/218 X
D. 391,924 3/1998 Mayo et al. D13/168

Primary Examiner—Brian N. Vinson
Attorney, Agent, or Firm—Brooks & Kushman P.C.

[57] **CLAIM**

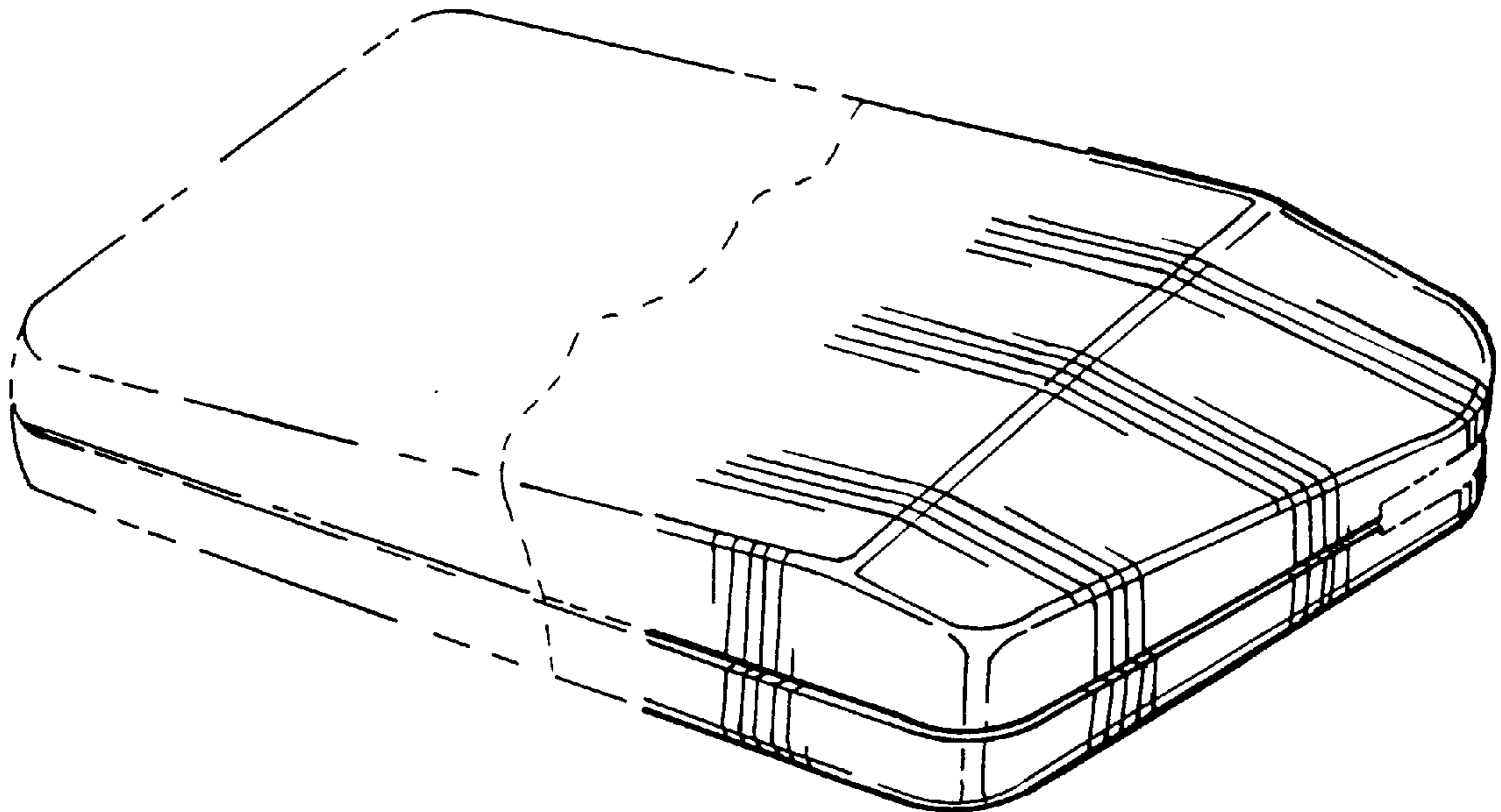
The ornamental design for a remote control transmitter, as shown and described.

DESCRIPTION

FIG. 1 is a perspective view of a remote control transmitter showing my new design;
FIG. 2 is a left side elevation view;
FIG. 3 is a right side elevation view;
FIG. 4 is a front elevation view;
FIG. 5 is a top plan view; and,
FIG. 6 is a bottom plan view.

The broken-line is intended to represent an unclaimed boundary of the portion of the remote control transmitter which is the subject of the claimed design.

1 Claim, 2 Drawing Sheets



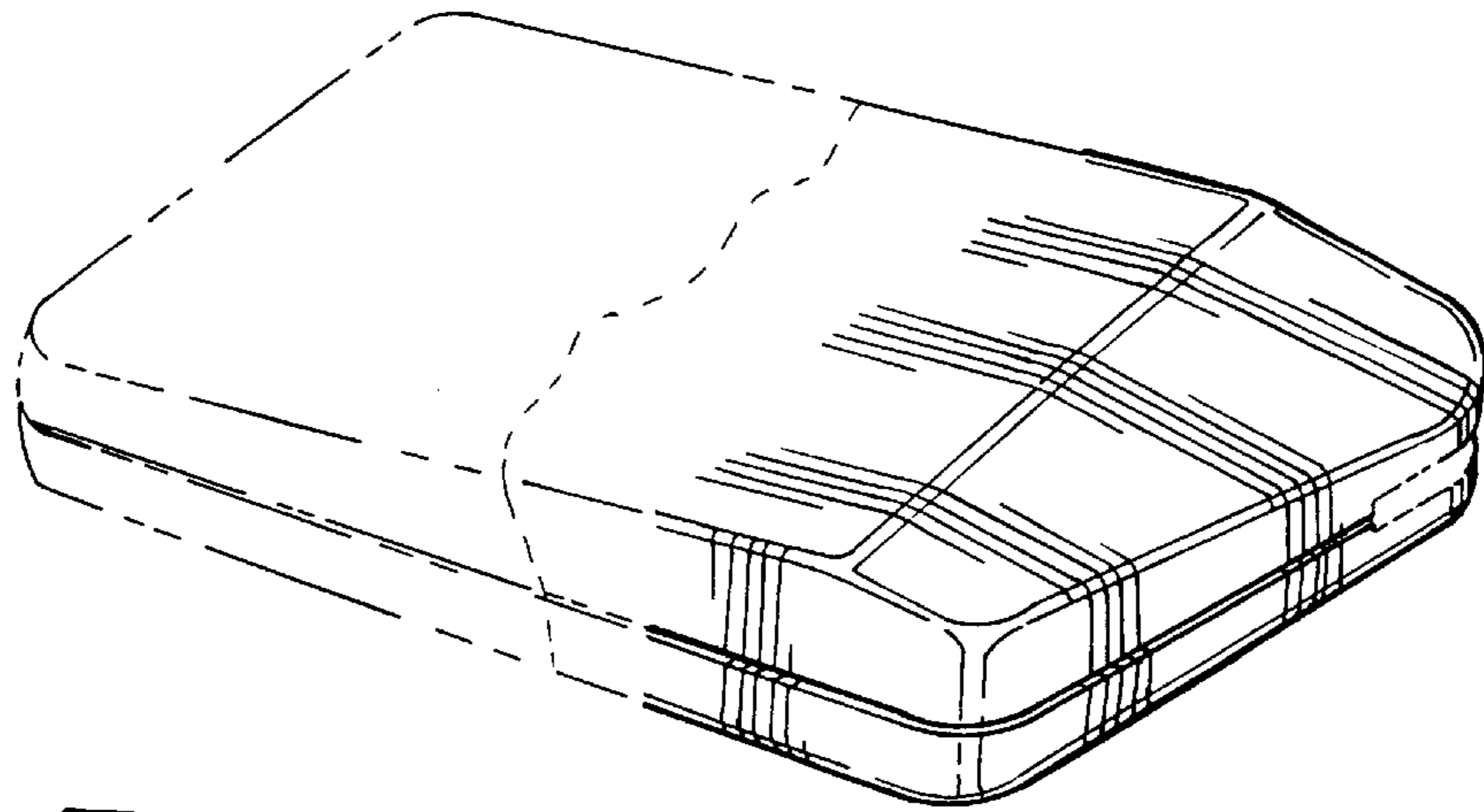


Fig-1

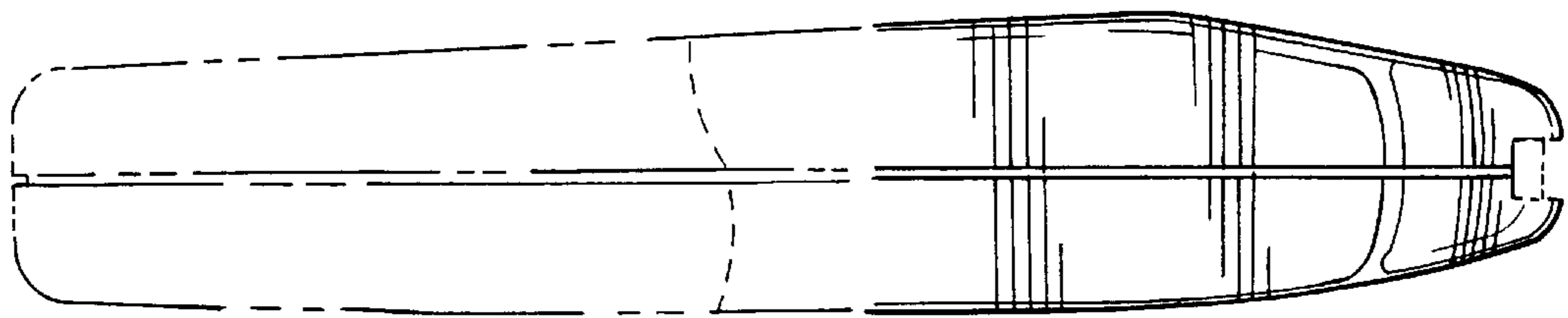


Fig-2

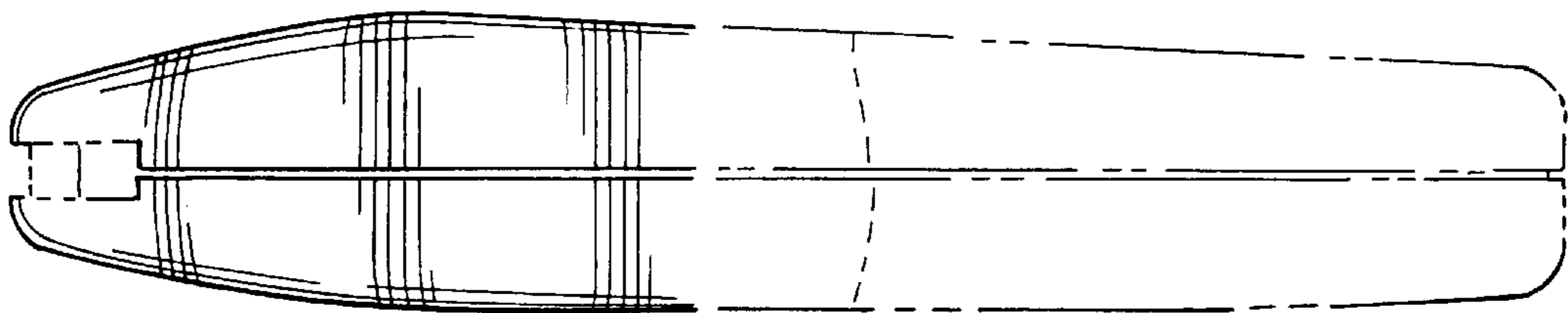


Fig-3

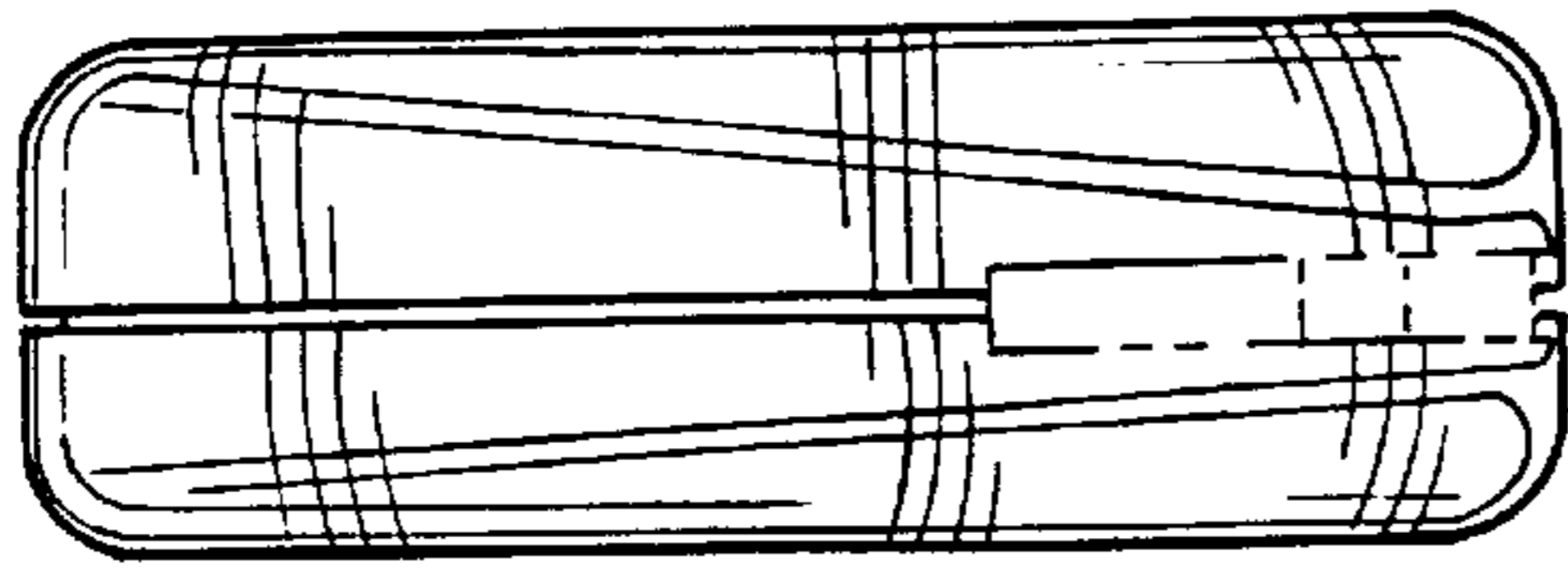


Fig-4

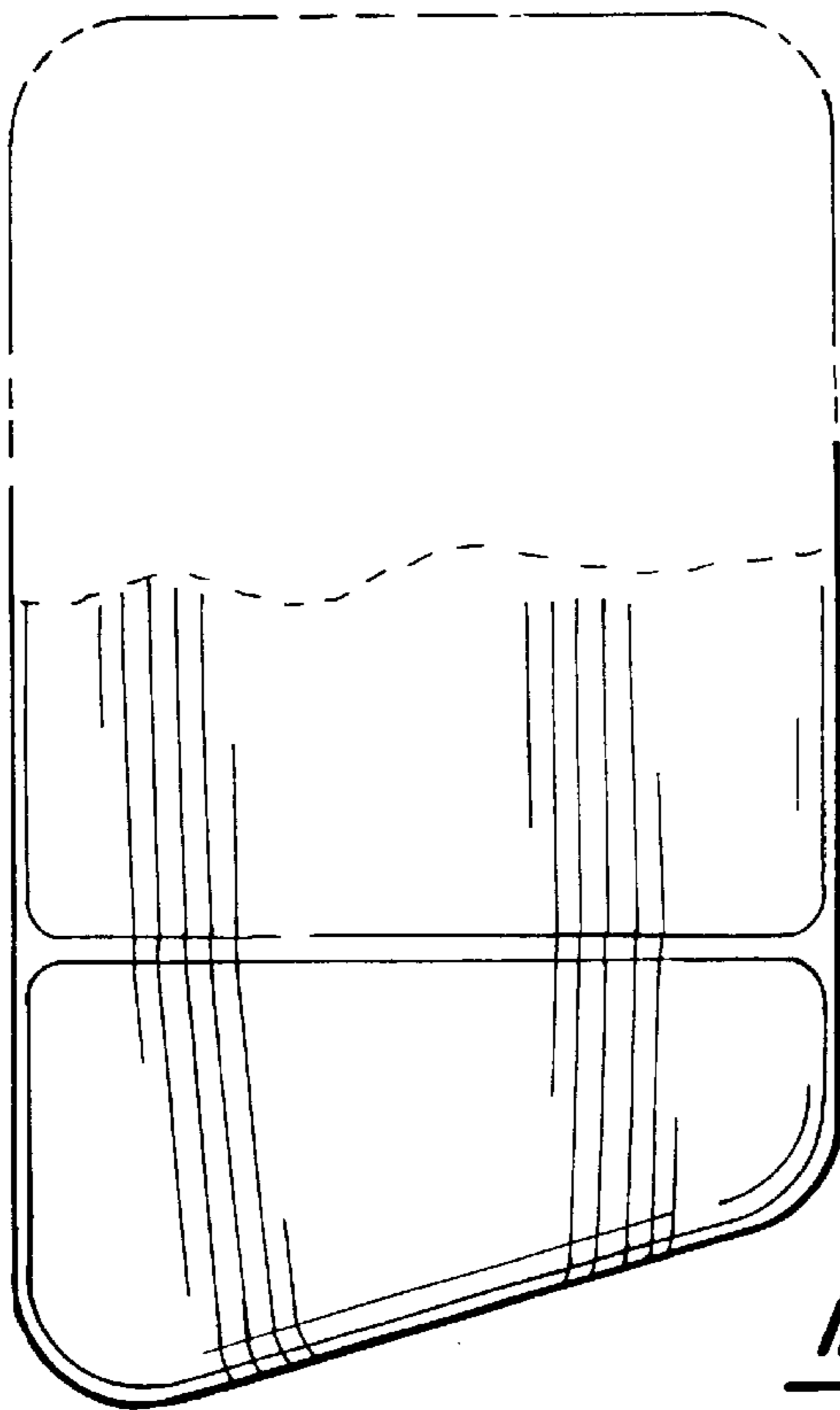


Fig-6

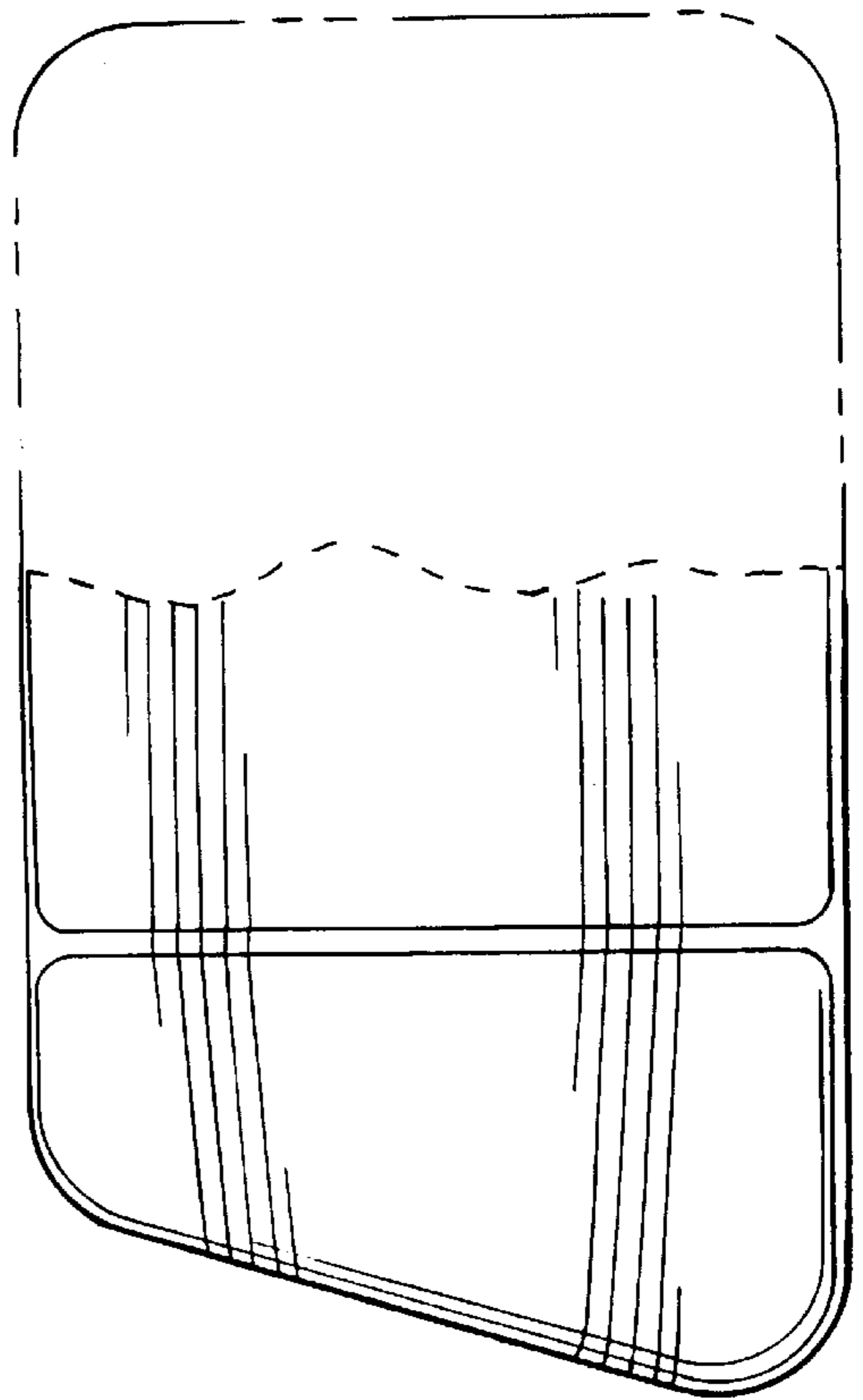


Fig-5