



US00D409575S

United States Patent [19] Okamoto

[11] **Patent Number: Des. 409,575**

[45] **Date of Patent: ** May 11, 1999**

[54] **ELECTRICAL CONNECTOR**

[75] Inventor: **Toshimune Okamoto**, Gunma, Japan

[73] Assignee: **Hosiden Corporation**, Osaka, Japan

[**] Term: **14 Years**

[21] Appl. No.: **29/094,003**

[22] Filed: **Sep. 23, 1998**

[30] **Foreign Application Priority Data**

Apr. 10, 1998 [JP] Japan 10-10327

[51] **LOC (6) Cl.** **13-03**

[52] **U.S. Cl.** **D13/147**

[58] **Field of Search** D13/146, 147;
439/78, 540.1, 541.5, 607, 638, 620

[56] **References Cited**

U.S. PATENT DOCUMENTS

D. 318,650 7/1991 Matsuzaki D13/147

D. 380,196 6/1997 Aramaki D13/147

D. 399,489 10/1998 Nishio et al. D13/147
5,417,593 5/1995 Suzuki et al. 439/607 X
5,637,014 6/1997 Sukegawa et al. 439/607

Primary Examiner—Joel Sincavage
Attorney, Agent, or Firm—Pollock, Vande Sande & Amernick

[57] **CLAIM**

The ornamental design for an electrical connector, as shown and described.

DESCRIPTION

FIG. 1 is a front view of an electrical connector showing my new design;
FIG. 2 is a back view of an electrical connector showing my new design;
FIG. 3 is a top plan view thereof;
FIG. 4 is a bottom plan view thereof;
FIG. 5 is a left side elevational view thereof;
FIG. 6 is a right side elevational view thereof; and,
FIG. 7 is a perspective view thereof.

1 Claim, 2 Drawing Sheets

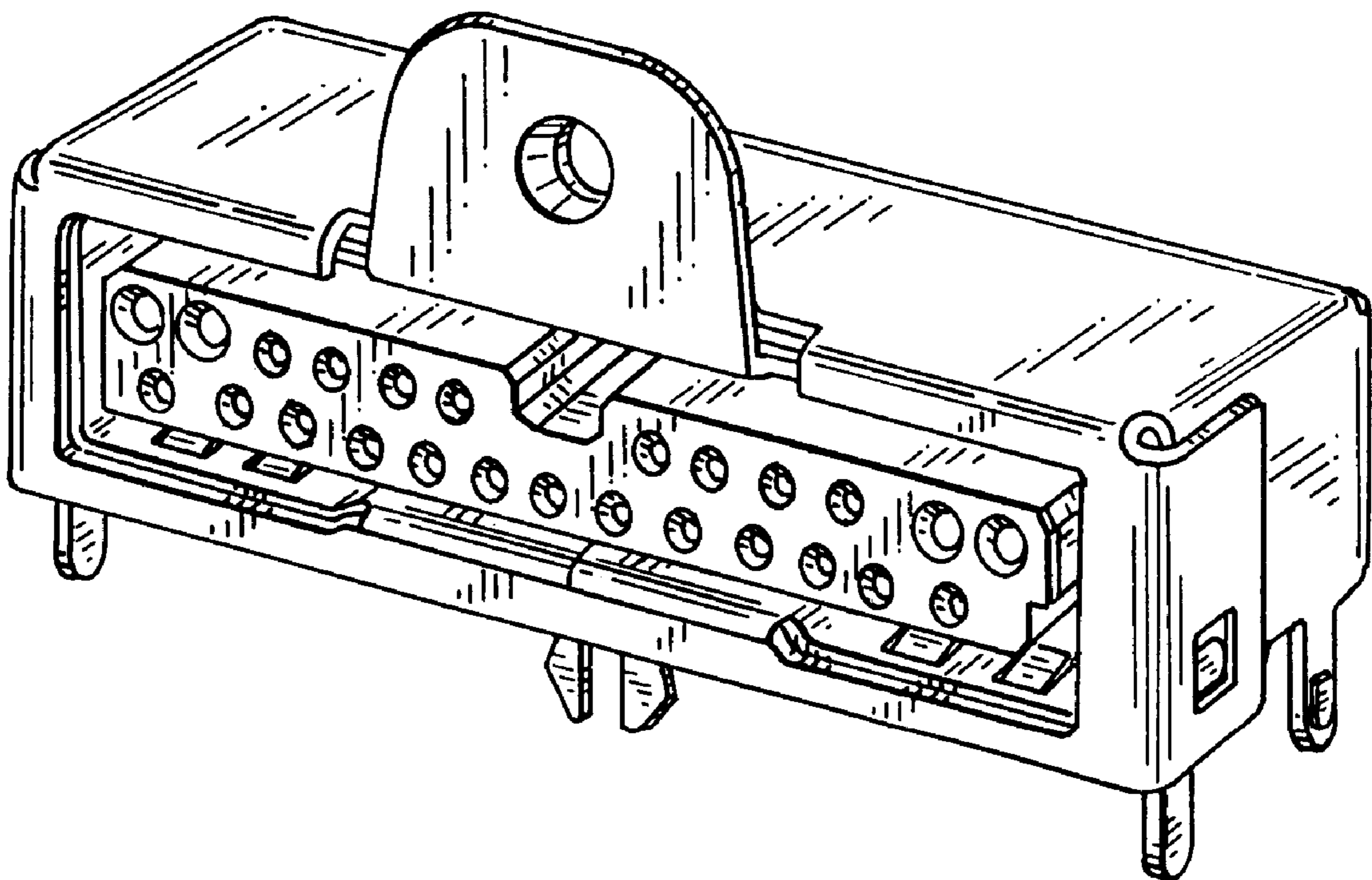


FIG. 1

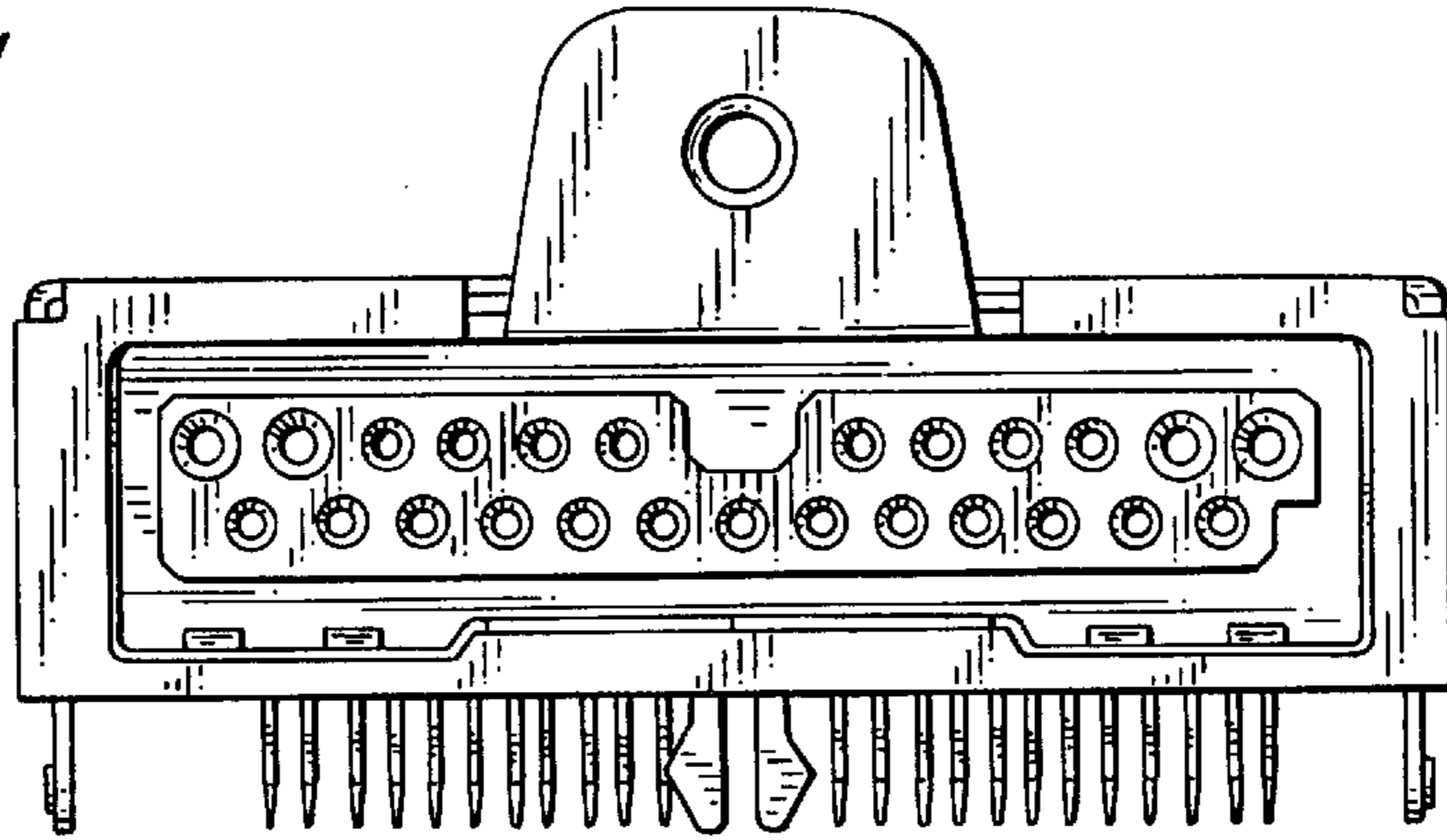


FIG. 2

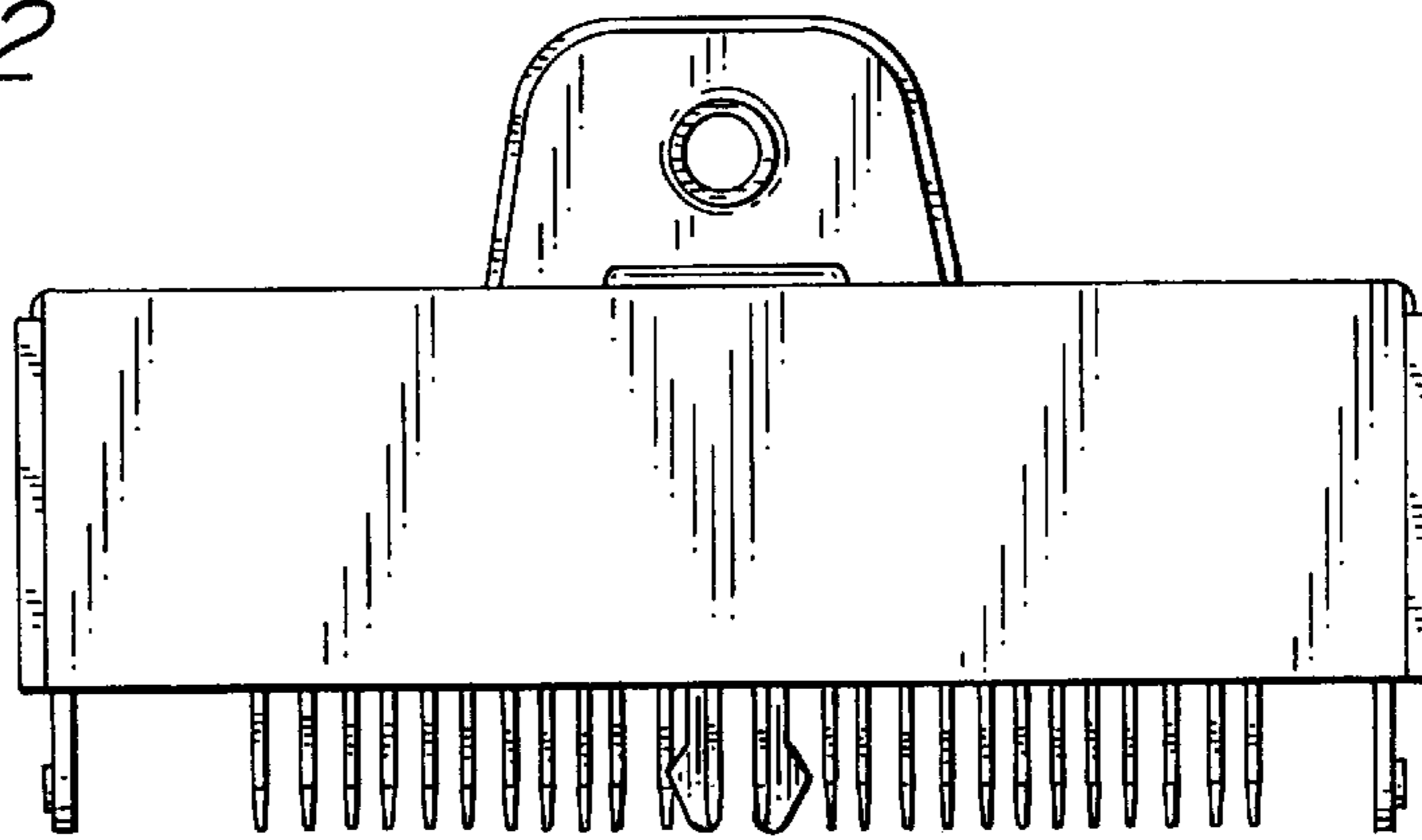


FIG. 3

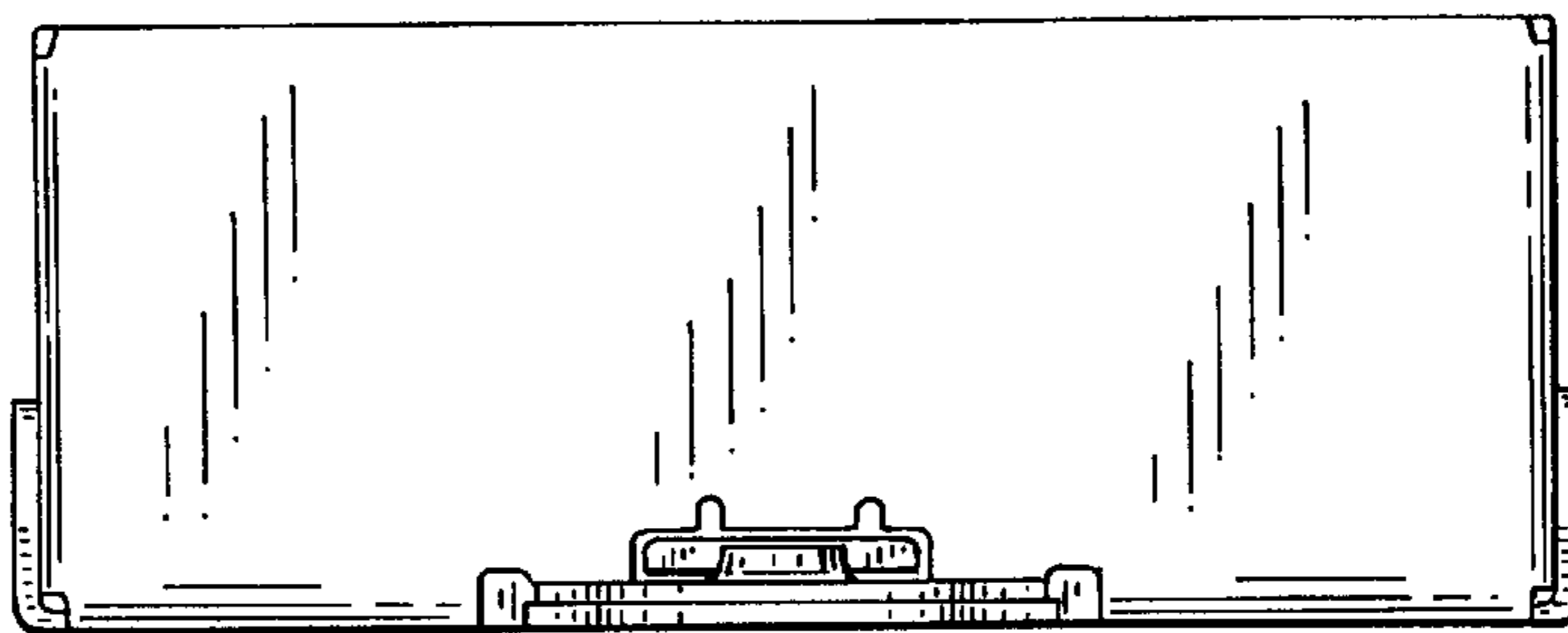


FIG. 4

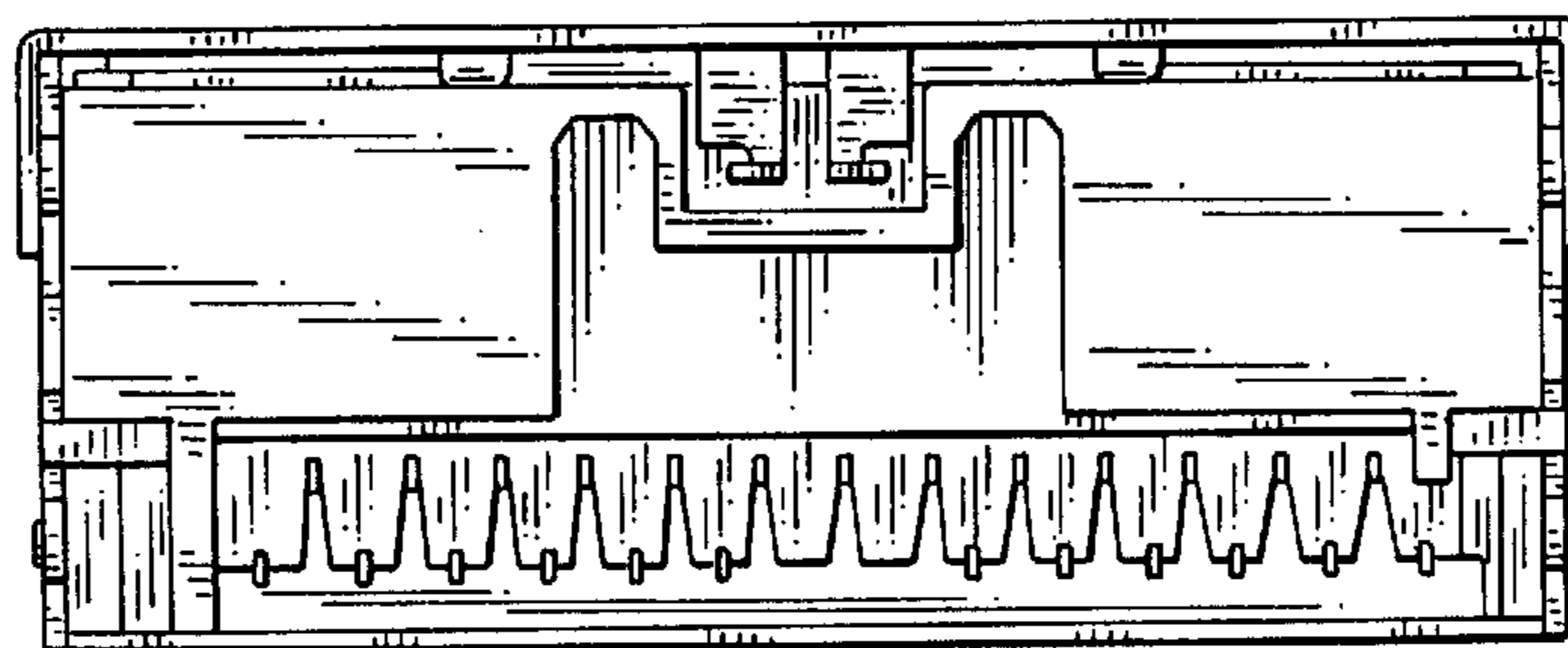


FIG. 5

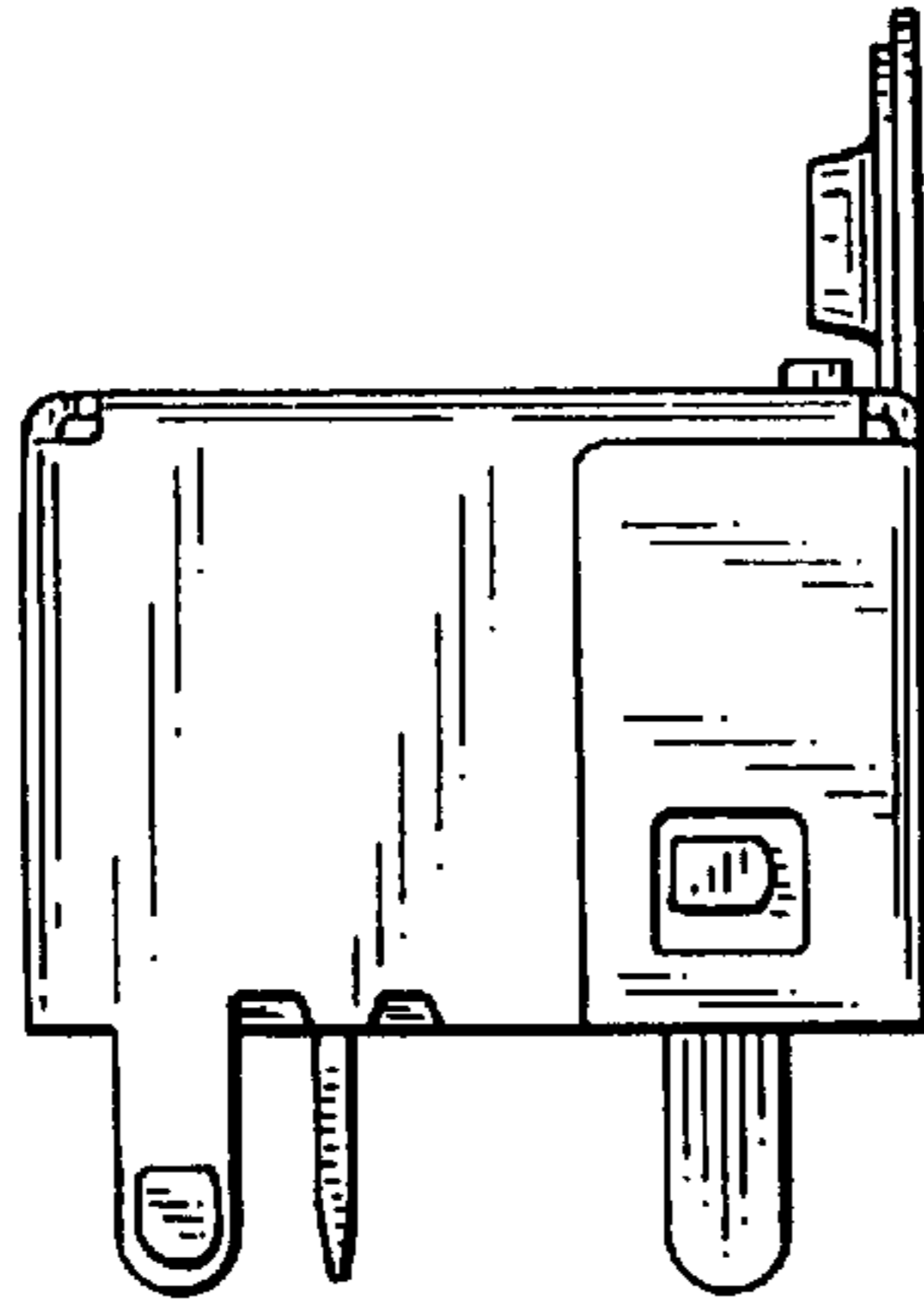


FIG. 6

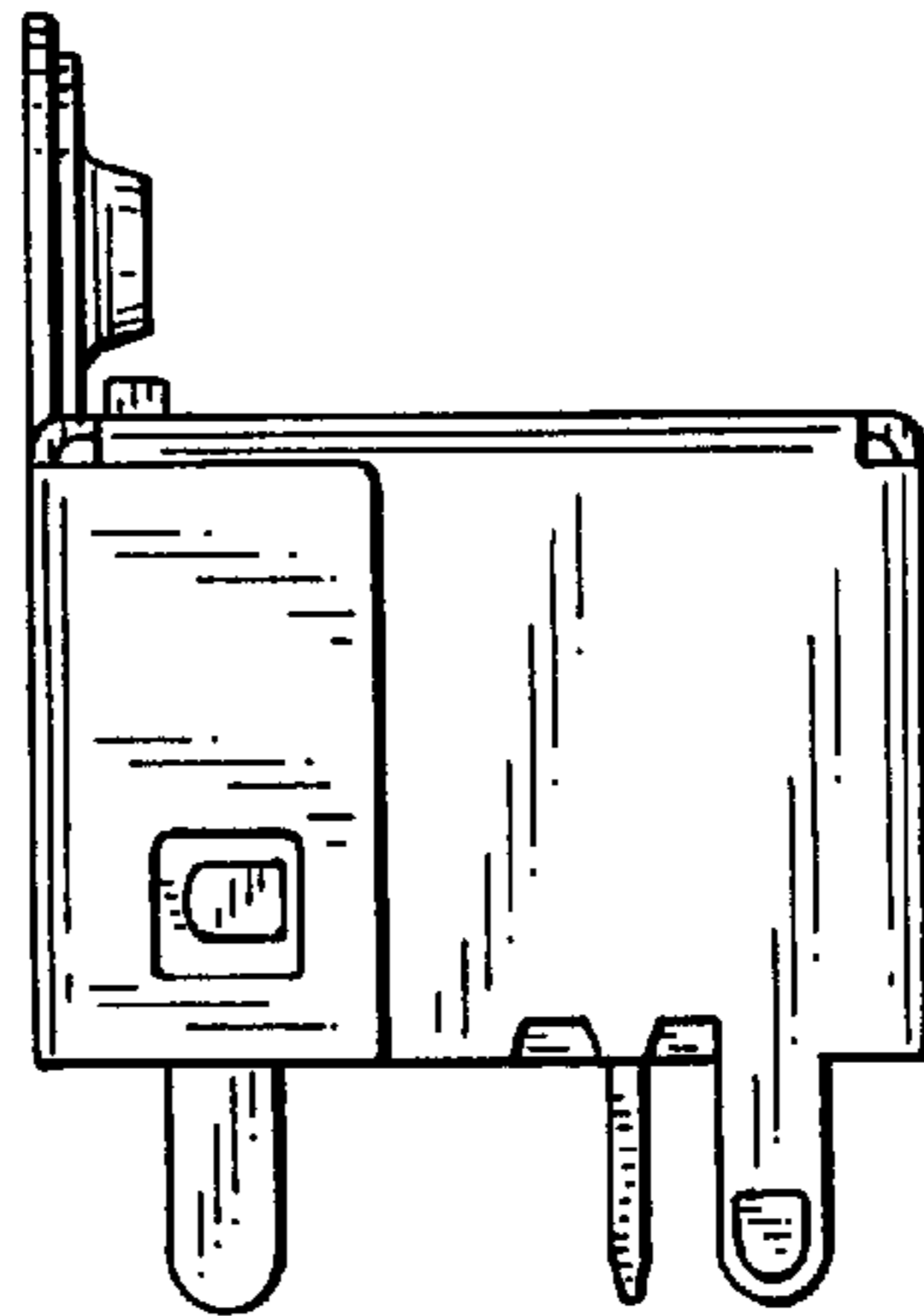


FIG. 7

