



US00D409572S

United States Patent [19] van Putten

[11] **Patent Number: Des. 409,572**

[45] **Date of Patent: ** May 11, 1999**

[54] **ELECTRICAL CONNECTOR**

5,407,366	4/1995	Briones et al.	439/620 X
5,430,618	7/1995	Huang	361/818
5,443,390	8/1995	Kokkosoulis et al.	439/650

[75] Inventor: **Carlton van Putten**, Hudson, Mass.

[73] Assignee: **FOCUS Enhancements, Inc.**,
Wilmington, Mass.

Primary Examiner—Joel Sincavage
Attorney, Agent, or Firm—Christopher P. Ricci, Esq.

[**] Term: **14 Years**

[57] **CLAIM**

[21] Appl. No.: **29/087,976**

The ornamental design for an electrical connector, as shown and described.

[22] Filed: **May 13, 1998**

DESCRIPTION

[51] **LOC (6) Cl.** **13-03**

[52] **U.S. Cl.** **D13/147**

[58] **Field of Search** D13/146, 147;
439/620, 362, 639, 638, 502, 650

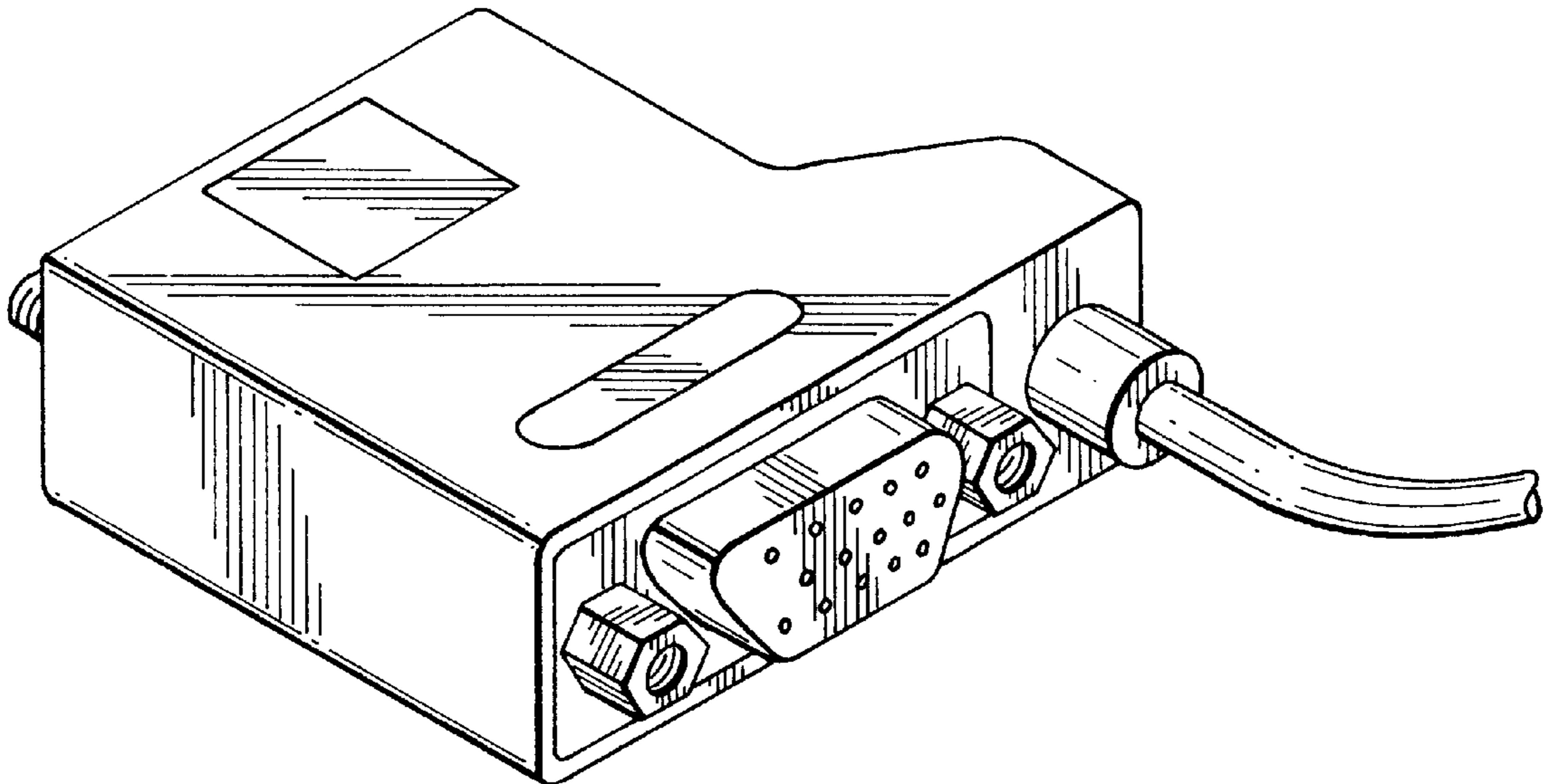
FIG. 1 is a rear and lower left perspective view of an electrical connector showing my new design;
FIG. 2 is bottom plan view thereof;
FIG. 3 is a rear elevational view thereof;
FIG. 4 is a front elevational view thereof;
FIG. 5 is an inverted right side elevational view thereof;
FIG. 6 is an inverted left side elevational view thereof; and,
FIG. 7 is a top plan view thereof.

[56] **References Cited**

U.S. PATENT DOCUMENTS

D. 352,499	11/1994	Rak	D13/147
D. 398,583	9/1998	Sette et al.	D13/147
5,192,226	3/1993	Wang	439/502

1 Claim, 4 Drawing Sheets



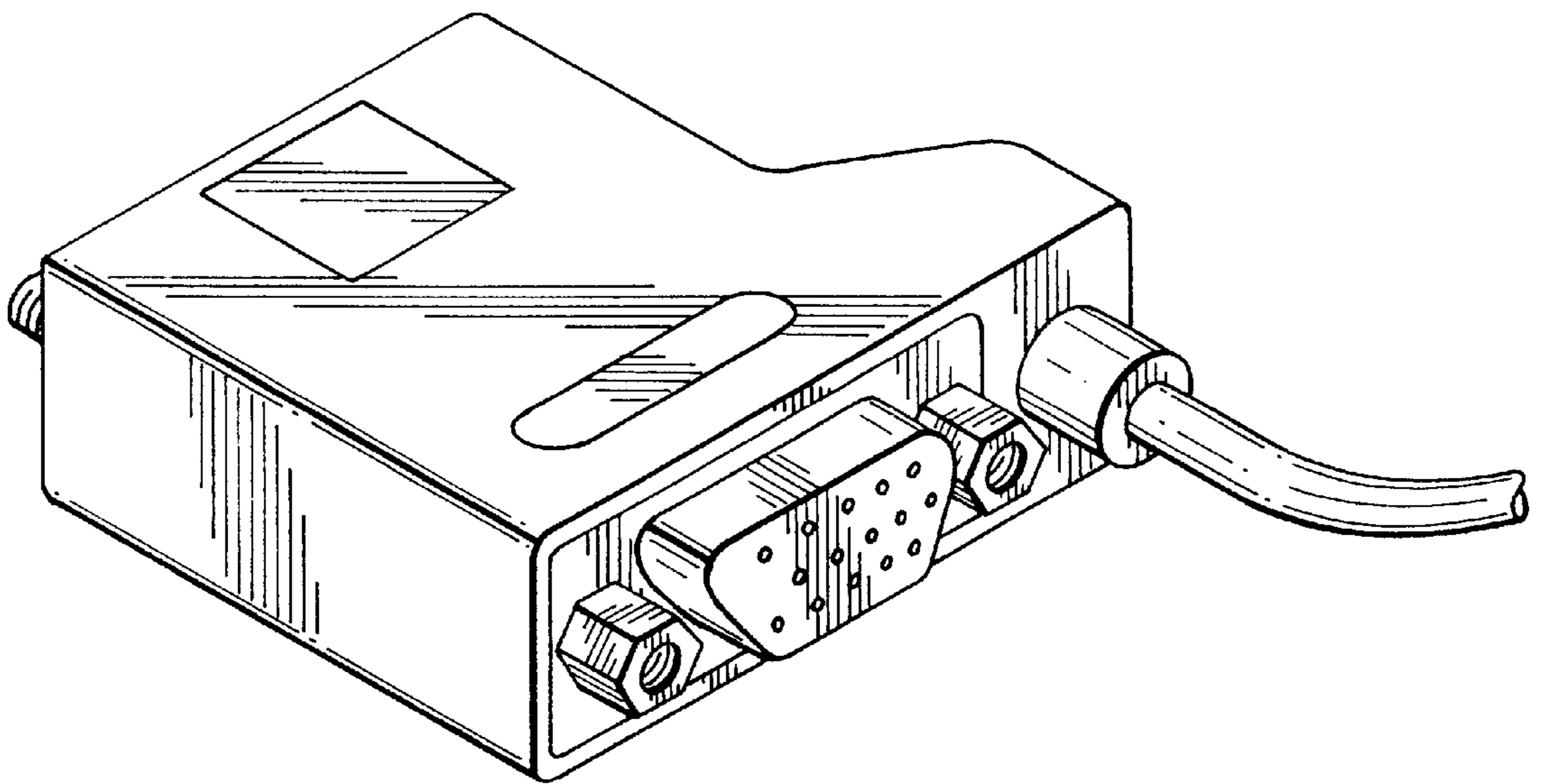
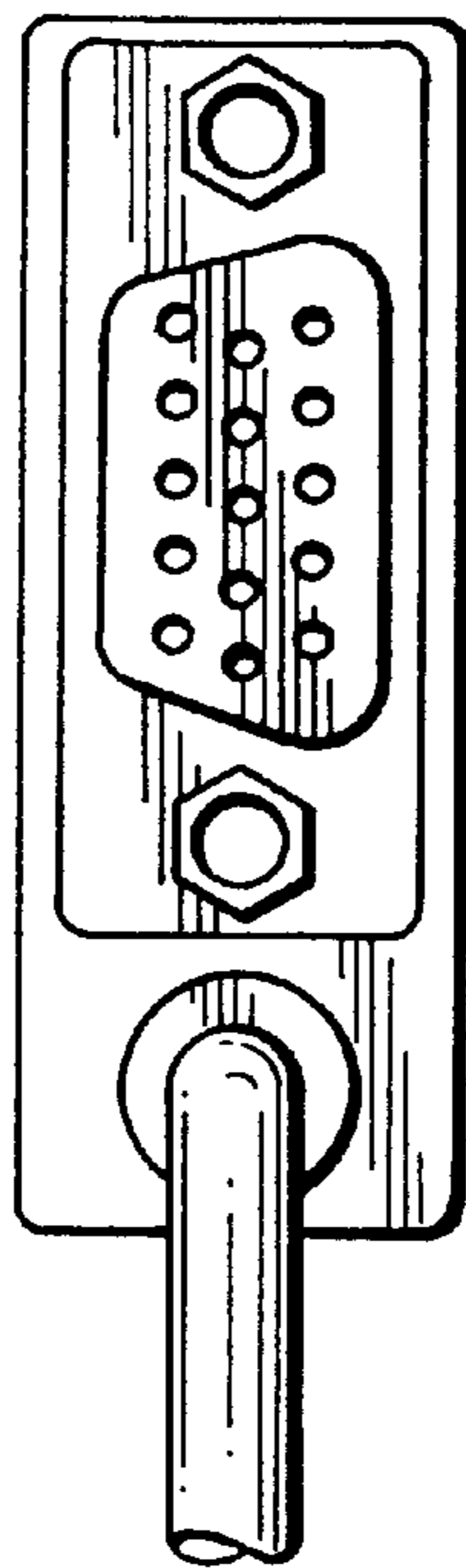
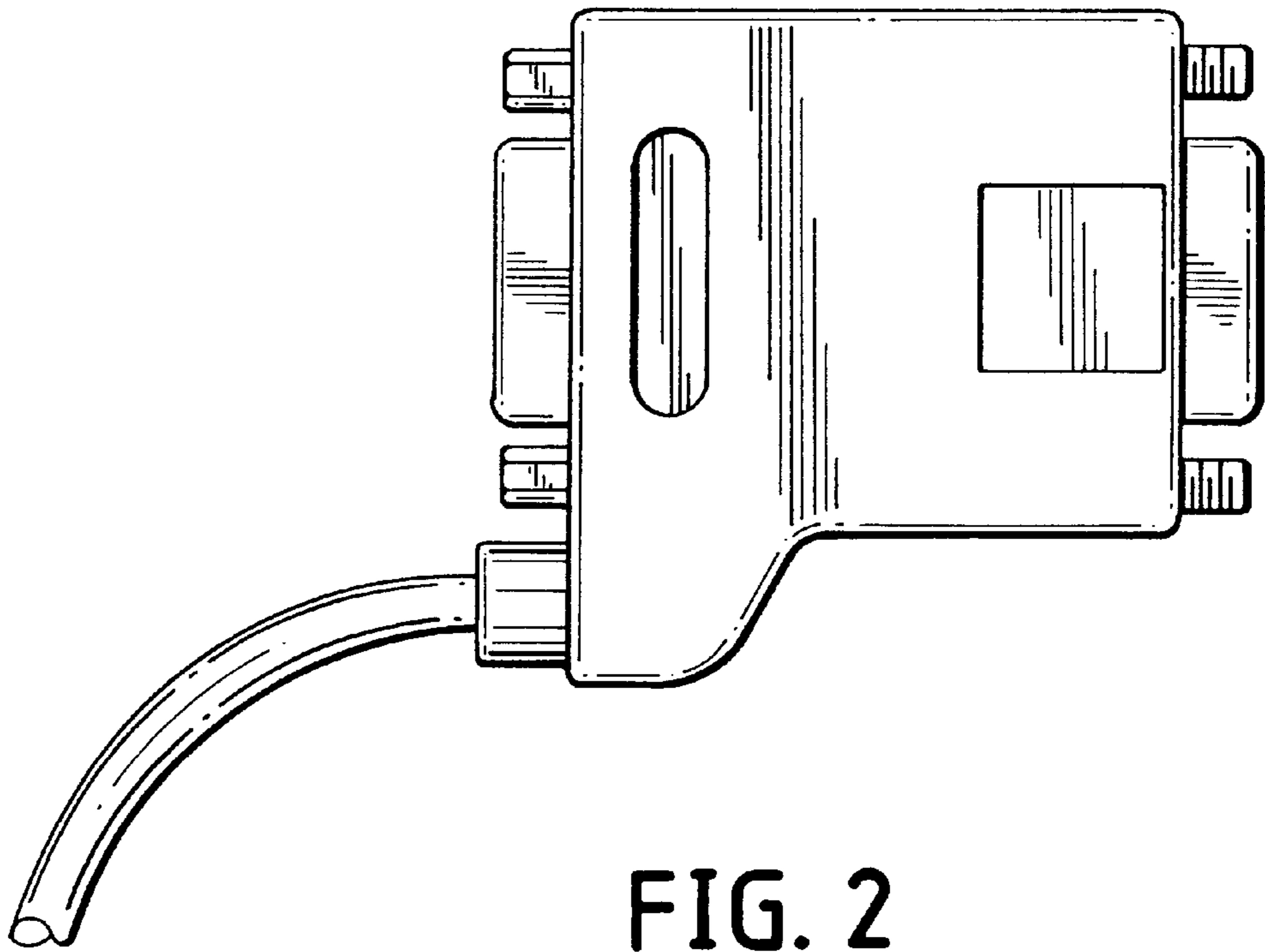


FIG. 1



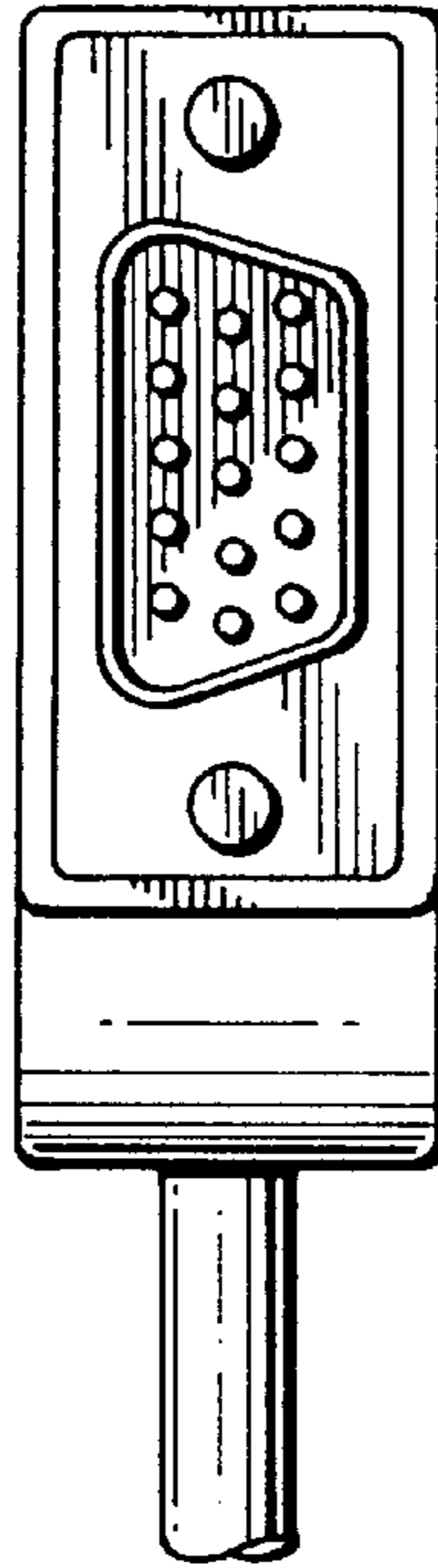


FIG. 4

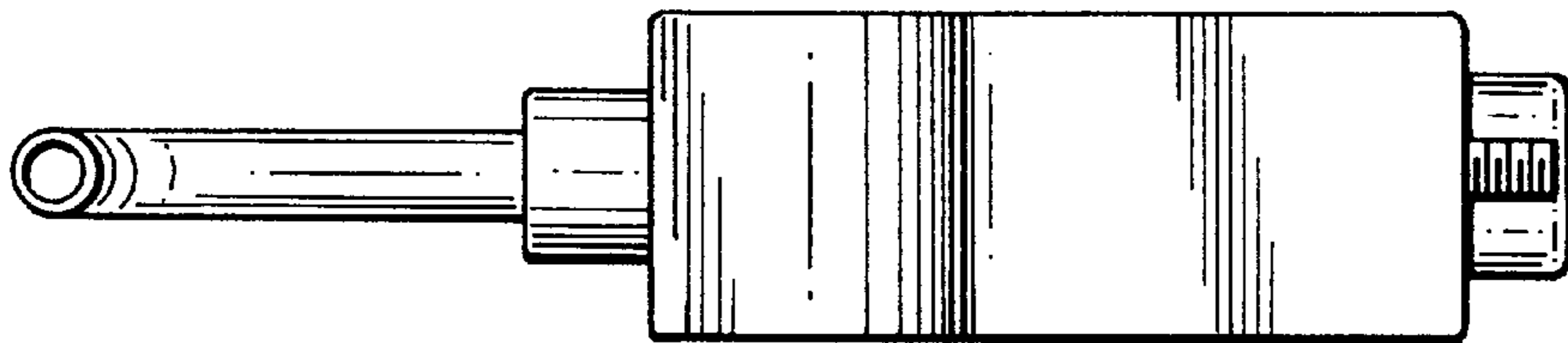


FIG. 5

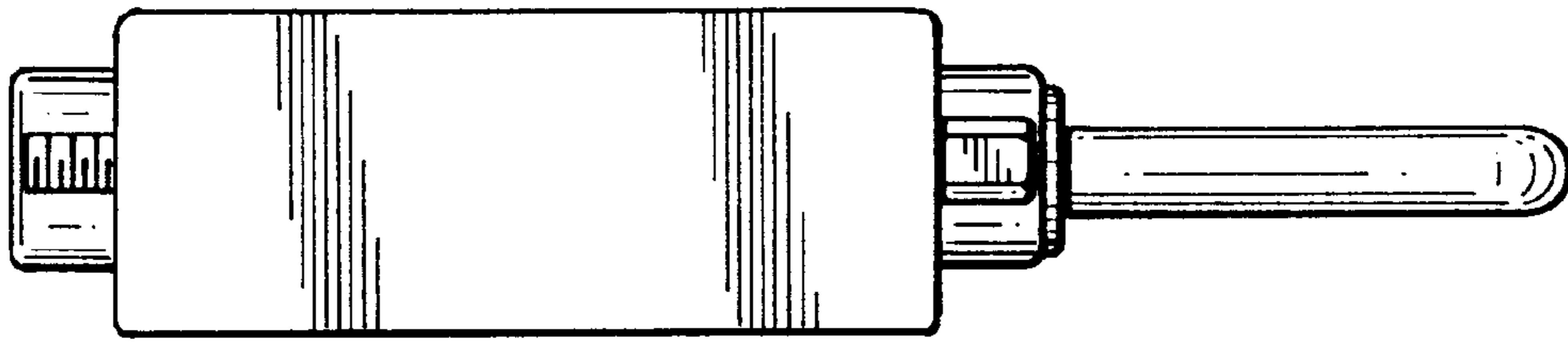


FIG. 6

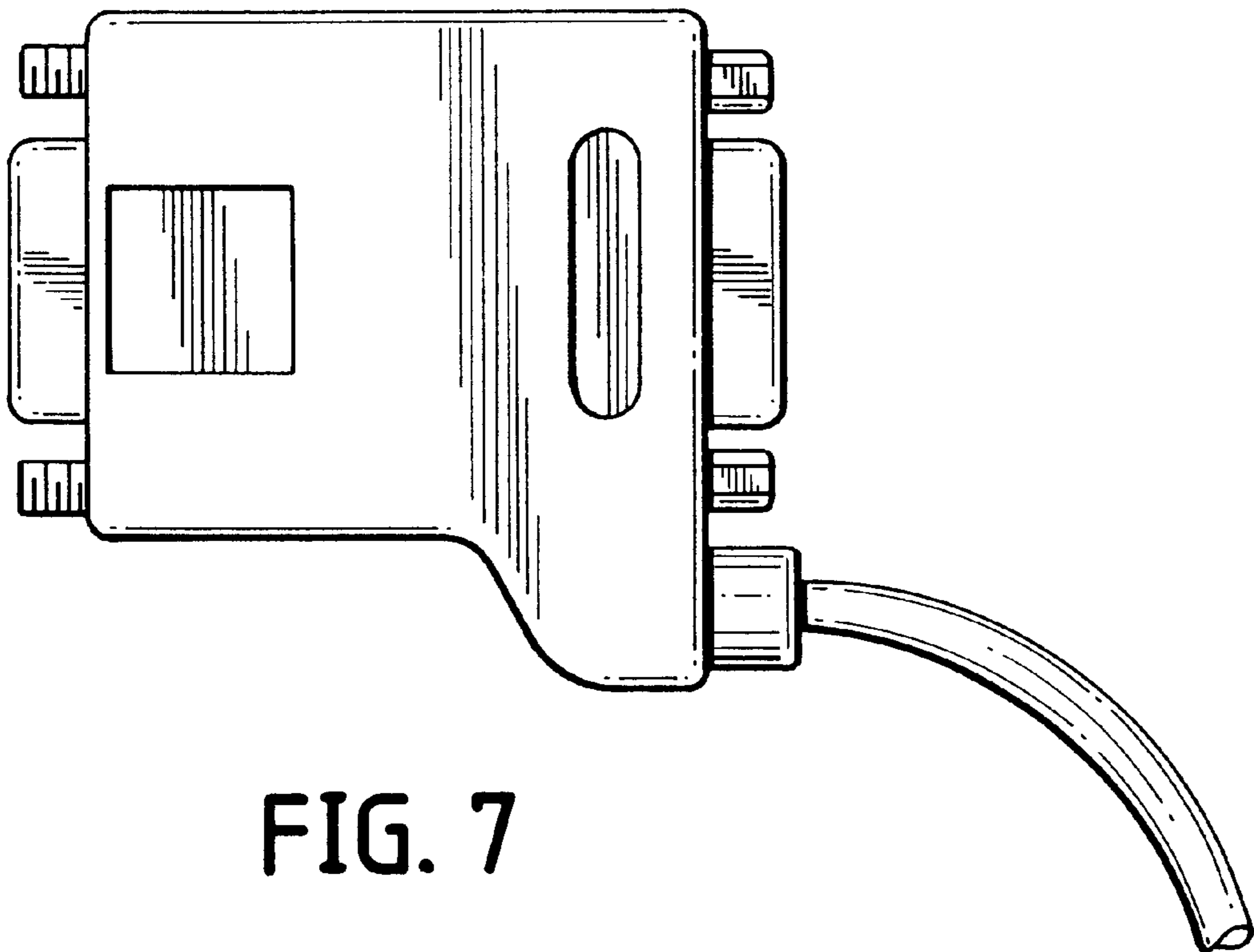


FIG. 7