



US00D409571S

**United States Patent** [19]  
**Sato et al.**

[11] **Patent Number: Des. 409,571**

[45] **Date of Patent: \*\* May 11, 1999**

[54] **ELECTRIC CONNECTOR**  
[75] Inventors: **Kiyoshi Sato; Sadatoshi Furusawa,**  
both of Tokyo, Japan

5,407,365 4/1995 Lin ..... 439/636  
5,460,537 10/1995 Noschese ..... 439/325  
5,480,316 1/1996 Kinross et al. .... 439/326  
5,536,179 7/1996 Olsson et al. .... 439/108  
5,813,883 9/1998 Lin ..... 439/637

[73] Assignee: **Honda Tsushin Kogyo Co., Ltd.,**  
Tokyo, Japan

*Primary Examiner*—Joel Sincavage  
*Attorney, Agent, or Firm*—Nikaido, Marmelstein, Murray &  
Oram LLP

[\*\*] Term: **14 Years**

[21] Appl. No.: **29/086,784**

[57] **CLAIM**

[22] Filed: **Apr. 20, 1998**

The ornamental design for electric connector, as shown and described.

[30] **Foreign Application Priority Data**

**DESCRIPTION**

Mar. 4, 1998 [JP] Japan ..... 10-5794

FIG. 1 is a perspective view of the electric connector showing my new design;  
FIG. 2 is a front elevational view thereof;  
FIG. 3 is a top plan view thereof;  
FIG. 4 is a right side elevational view thereof;  
FIG. 5 is a bottom plan view thereof; and,  
FIG. 6 is a rear elevational view thereof.

[51] **LOC (6) Cl.** ..... **13-03**

[52] **U.S. Cl.** ..... **D13/147**

[58] **Field of Search** ..... D13/146, 147;  
439/108, 325, 326, 633, 630, 636

[56] **References Cited**

**U.S. PATENT DOCUMENTS**

5,366,390 11/1994 Kinross et al. .... 439/636

**1 Claim, 2 Drawing Sheets**

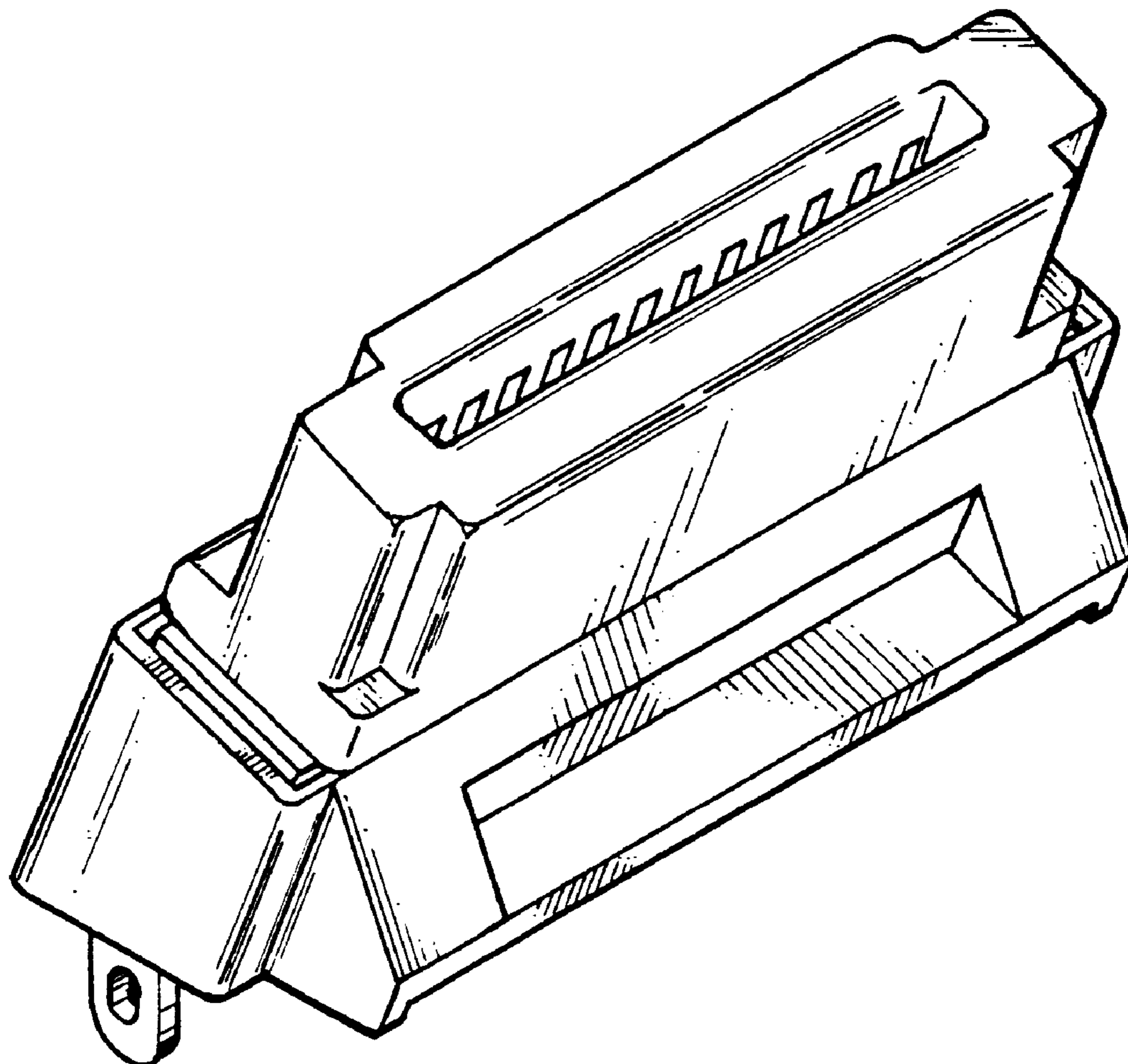


FIG. 1

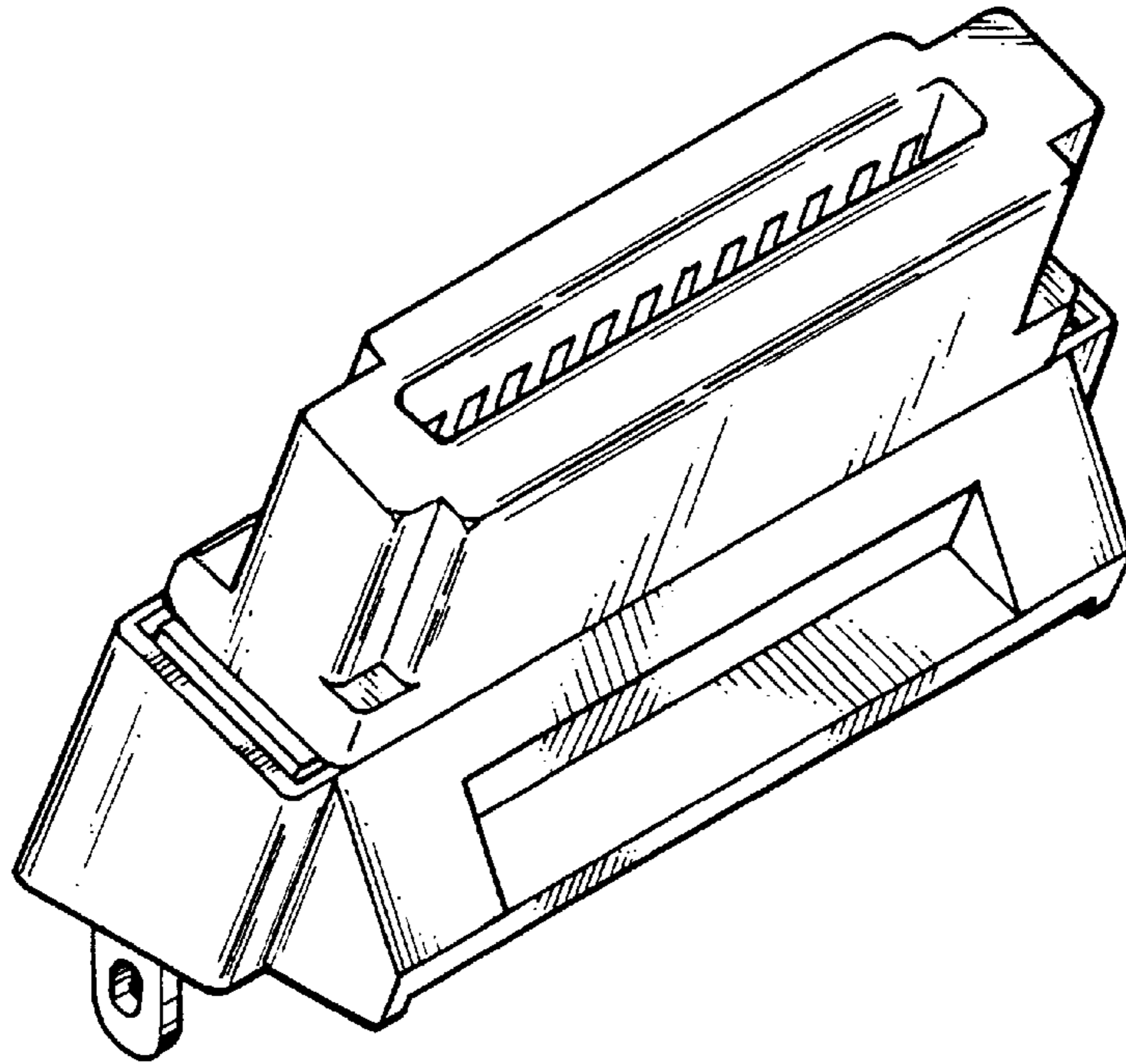


FIG. 2

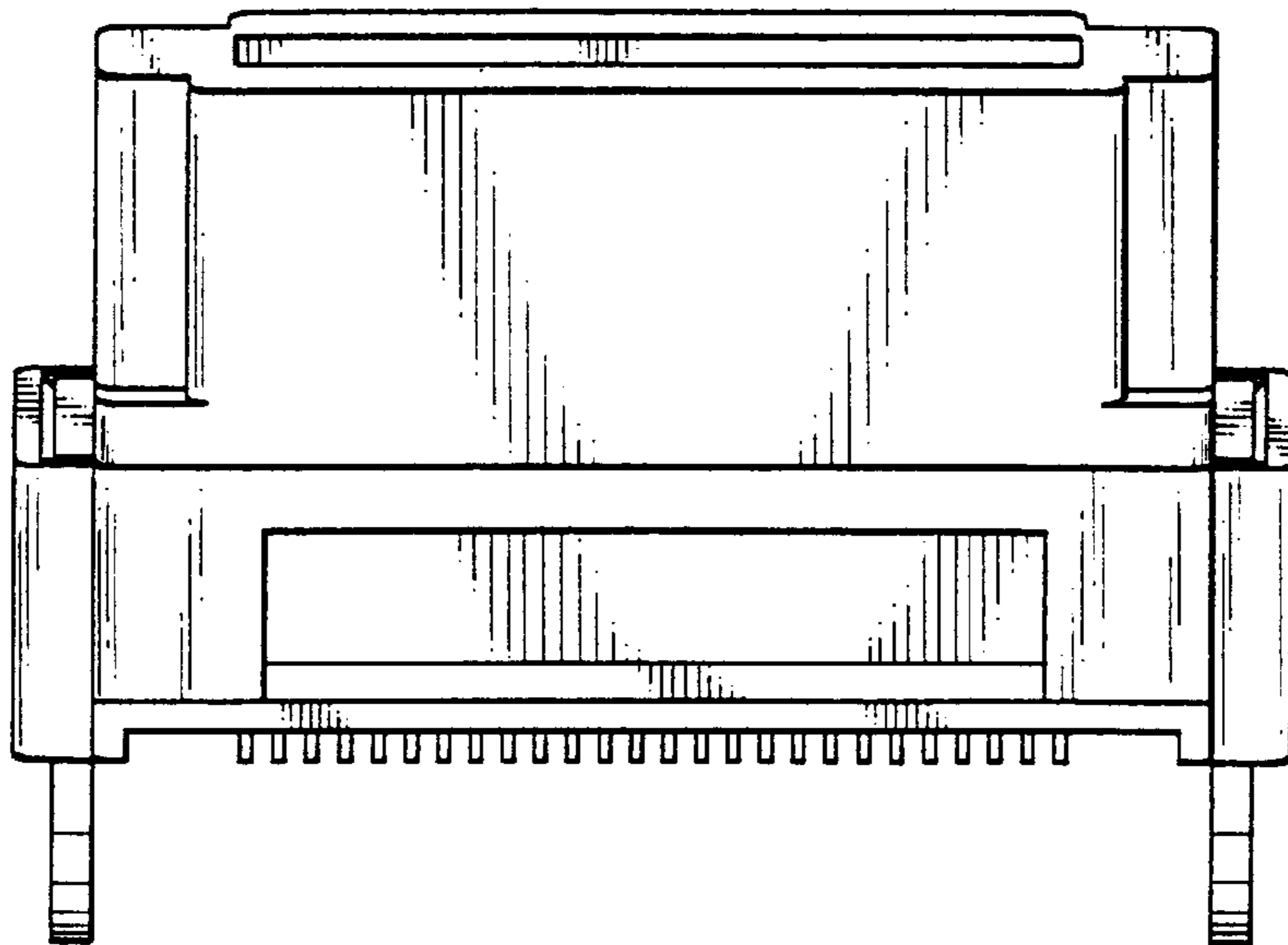


FIG. 3

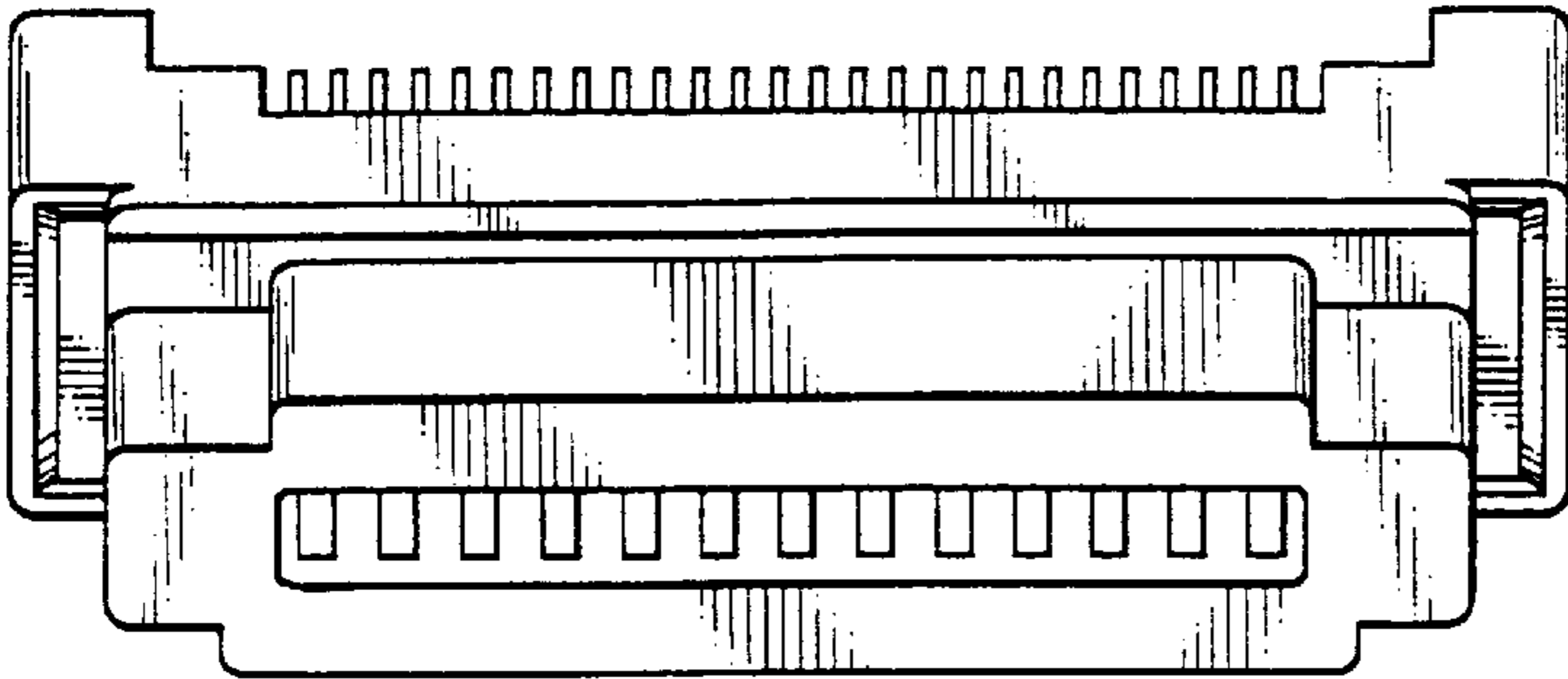


FIG. 4

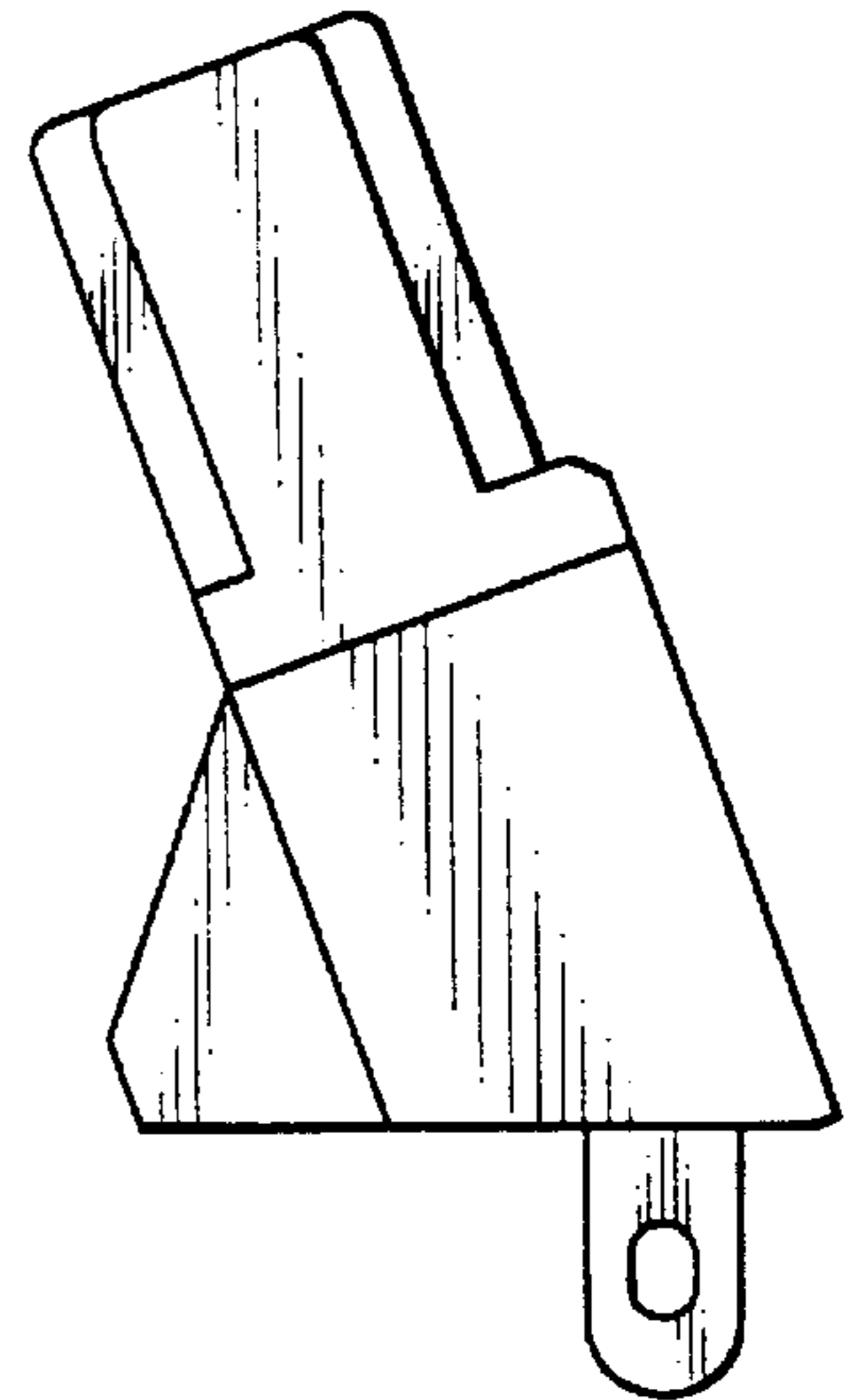


FIG. 5

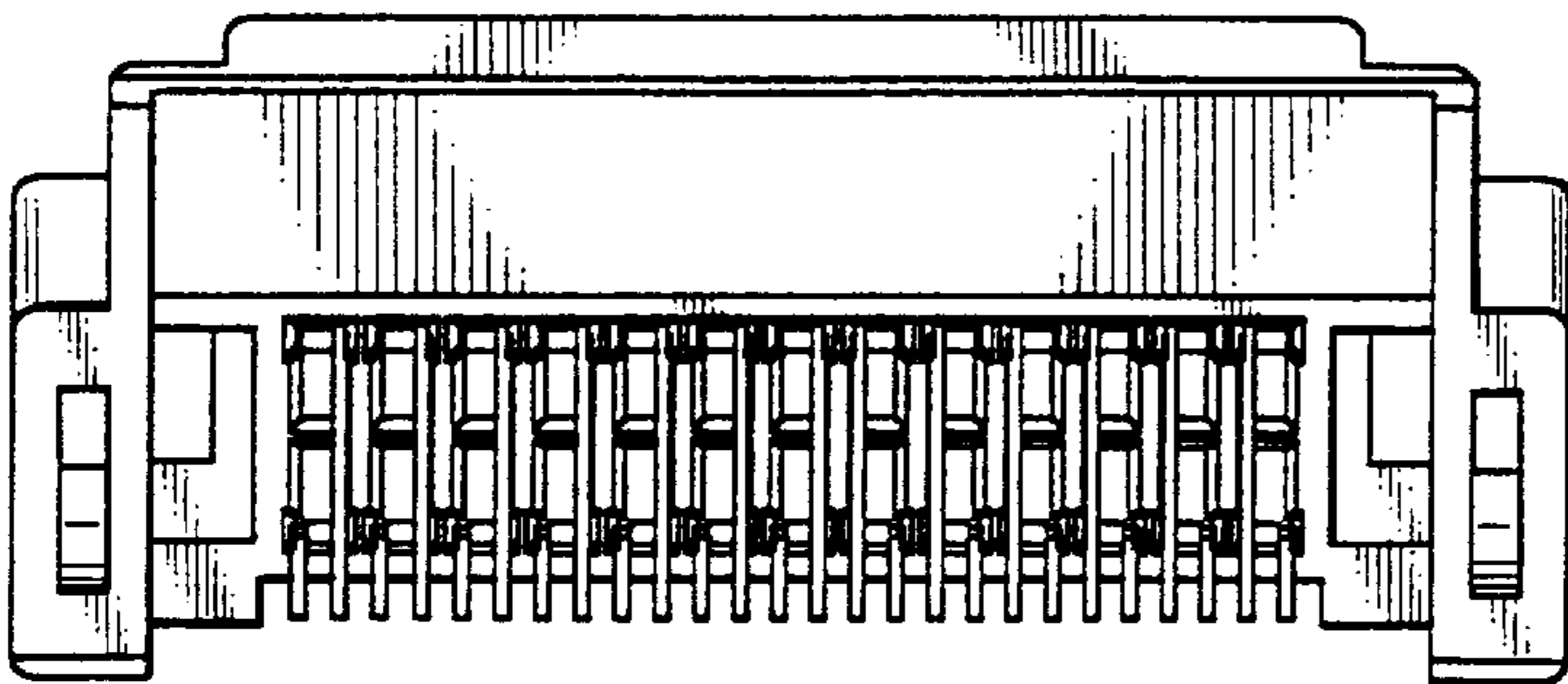


FIG. 6

