



US00D409567S

# United States Patent [19]

Carmo et al.

[11] Patent Number: **Des. 409,567**

[45] Date of Patent: **\*\* May 11, 1999**

[54] **TWO CONDUCTOR ELECTRICAL CONNECTOR HAVING A LOCKING MECHANISM**

D. 357,459	4/1995	Warden	.....	D13/142
D. 375,081	10/1996	Sandor et al.	.....	D13/143
5,567,175	10/1996	Warden et al.	.....	439/490
5,676,568	10/1997	Weber	.....	439/694

[75] Inventors: **Robert A. Carmo**, Placentia; **Nicholas F. Spinello**, Irvine, both of Calif.

*Primary Examiner*—Susan J. Lucas  
*Assistant Examiner*—Jennifer Rivard  
*Attorney, Agent, or Firm*—Paul J. Sutton

[73] Assignee: **Pacific Electriccord Company**, Gardena, Calif.

[\*\*] Term: **14 Years**

[57] **CLAIM**

[21] Appl. No.: **29/075,959**

The ornamental design for a two conductor electrical connector having a locking mechanism, as shown and described.

[22] Filed: **Aug. 28, 1997**

**DESCRIPTION**

[51] **LOC (6) Cl.** ..... **13-03**

FIG. 1 is a top right perspective view of a two conductor electrical connector having a locking mechanism showing our new design;

[52] **U.S. Cl.** ..... **D13/139.1**

FIG. 2 is a top plan view thereof;

[58] **Field of Search** ..... D13/139.1, 138.1, D13/138.2, 137.1; 439/133, 346, 106, 144, 369, 140, 141, 484, 692, 694, 606, 476, 696, 483, 682, 695, 697, 164

FIG. 3 is a front elevational view thereof;

FIG. 4 is a left side elevational view thereof, the opposite side elevational view being a mirror image thereof;

[56] **References Cited**

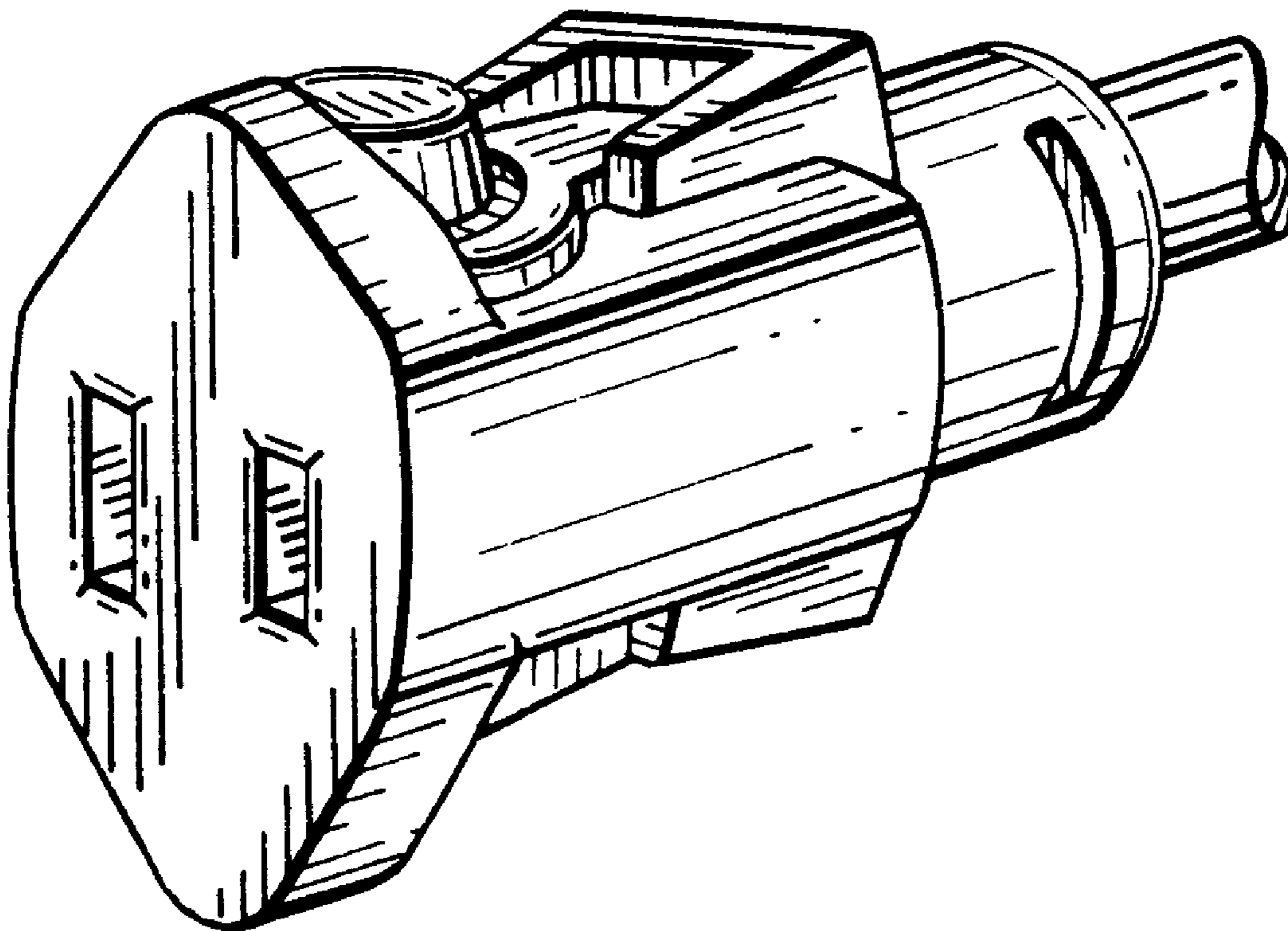
FIG. 5 is a rear elevational view thereof; and,

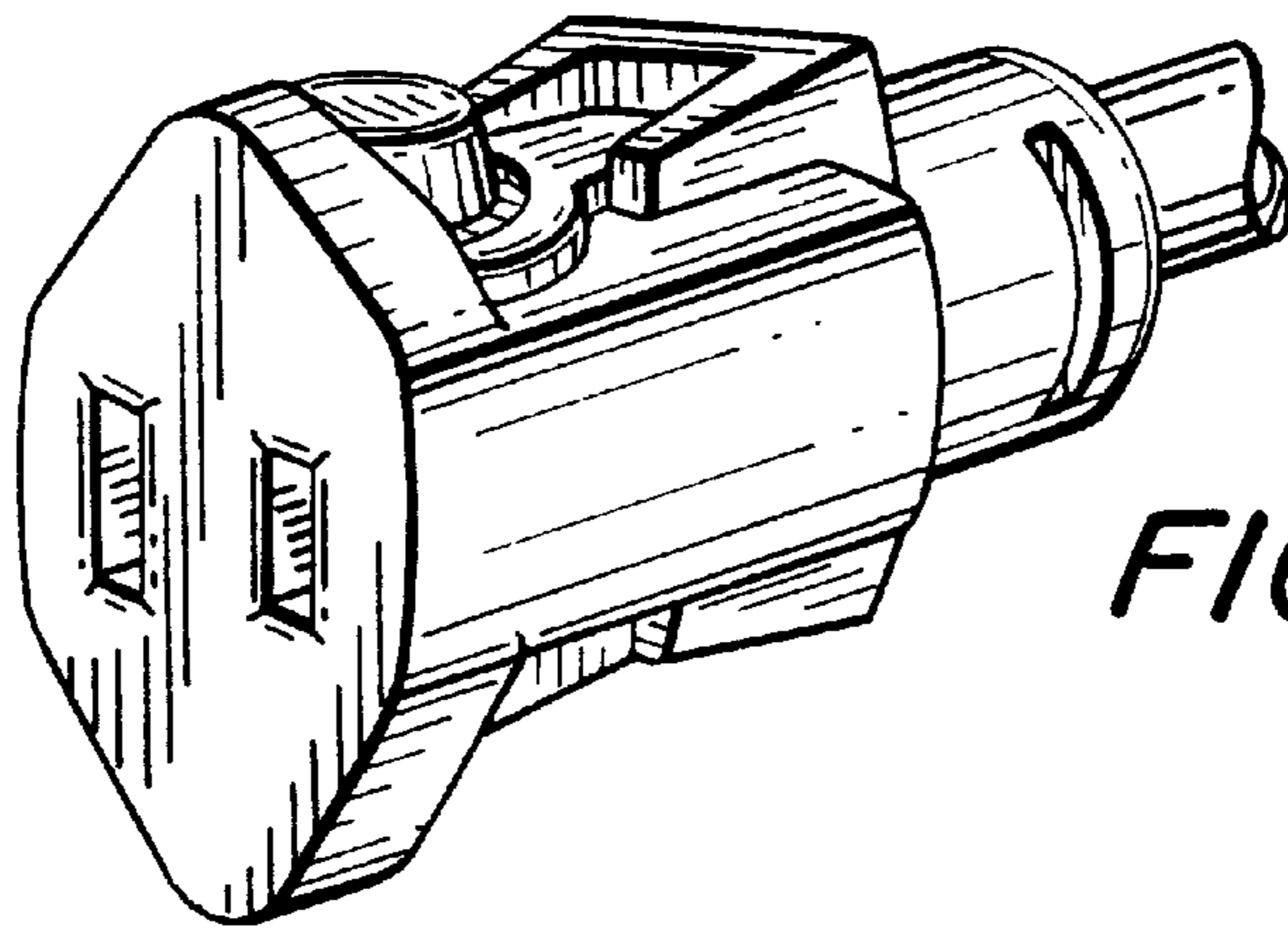
**U.S. PATENT DOCUMENTS**

FIG. 6 is a bottom plan view thereof.

D. 266,559 10/1982 Gibbs ..... D13/138.1

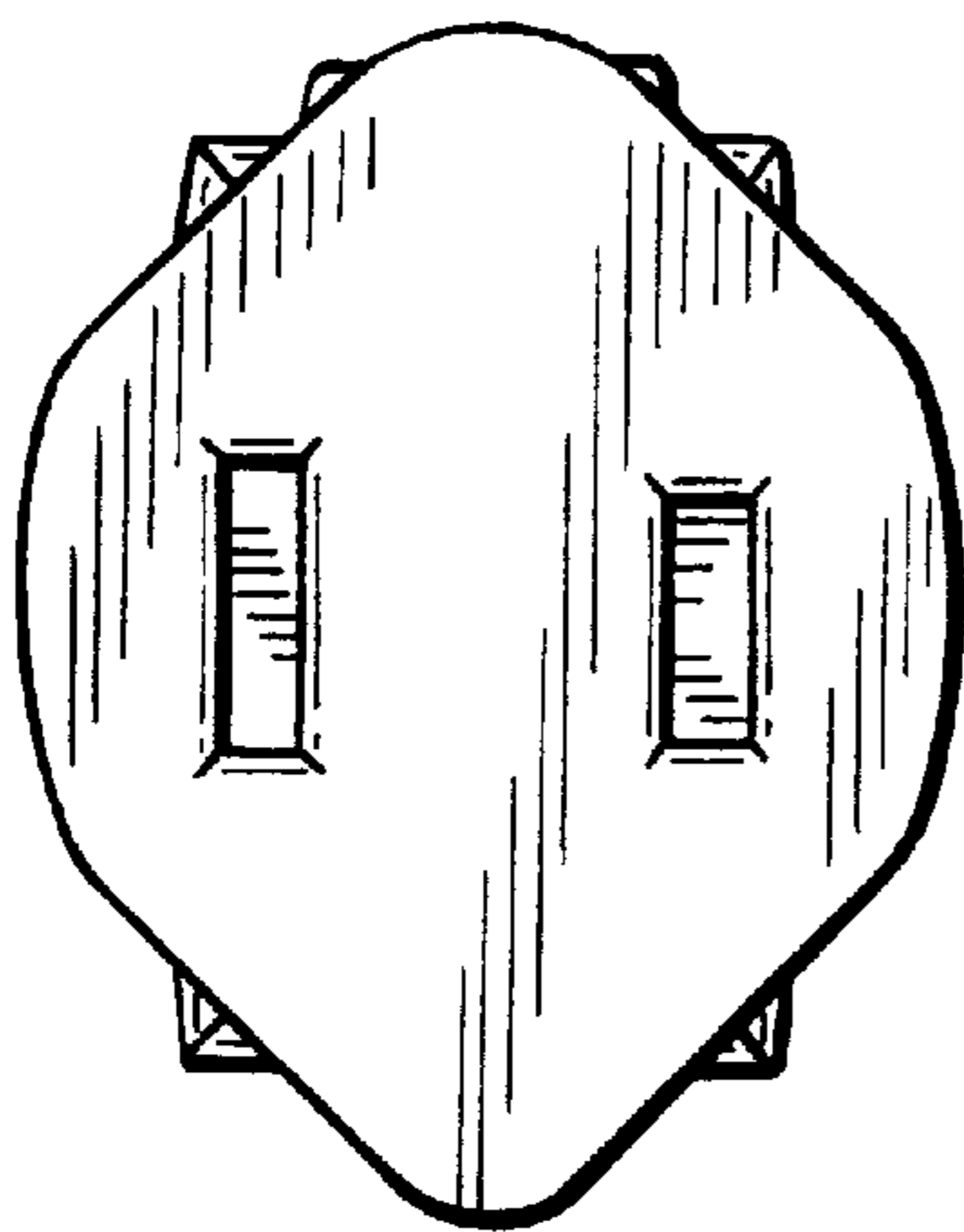
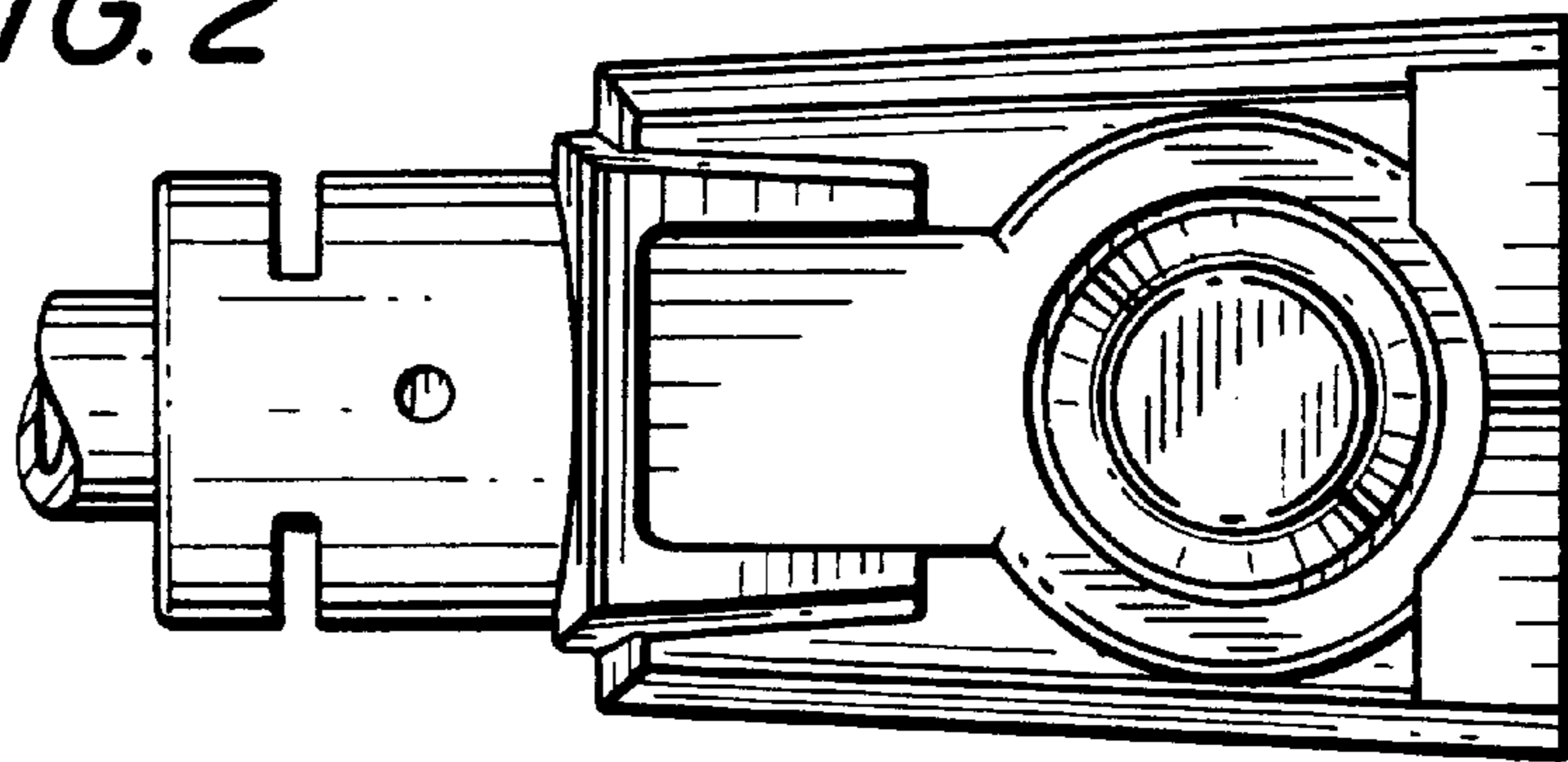
**1 Claim, 2 Drawing Sheets**





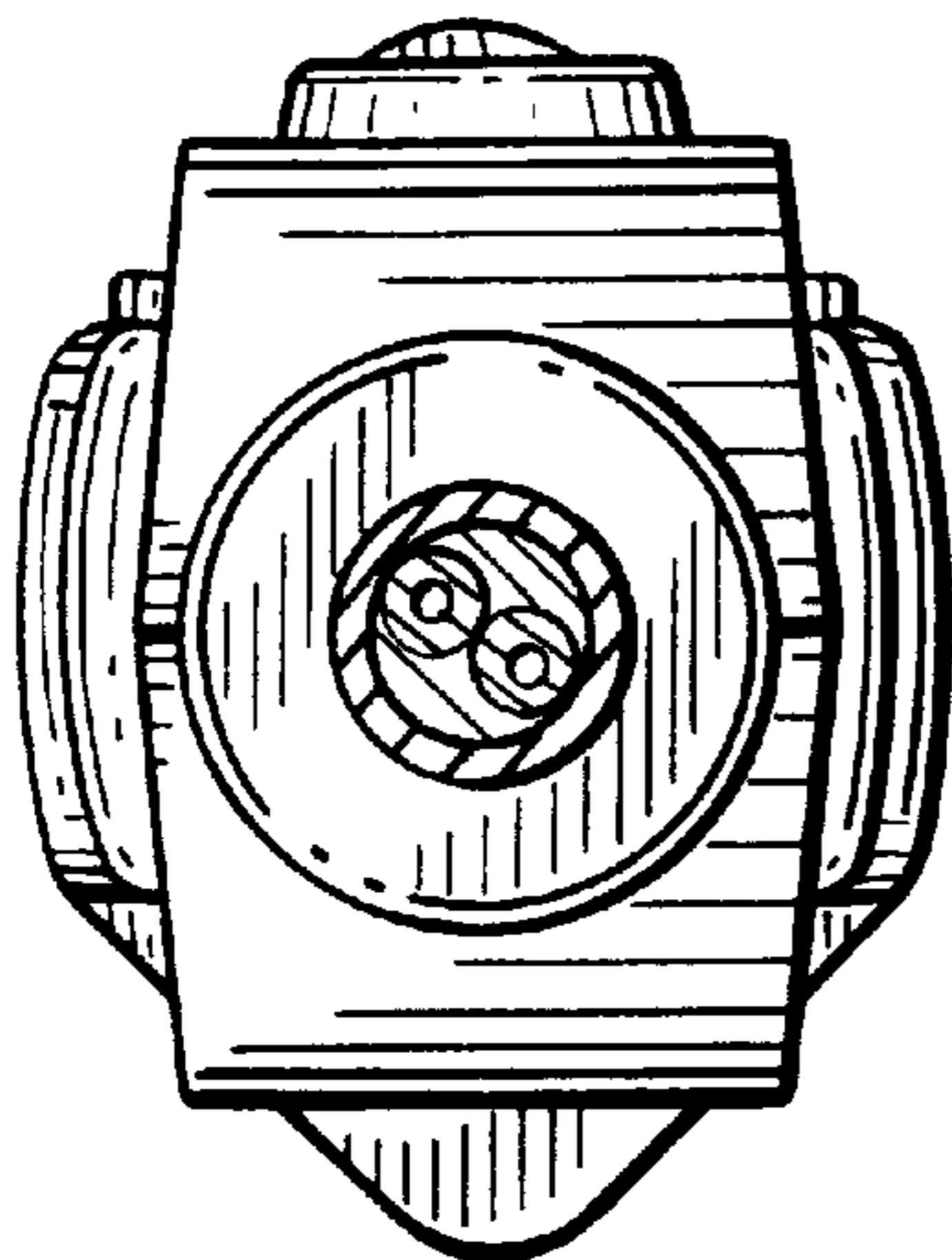
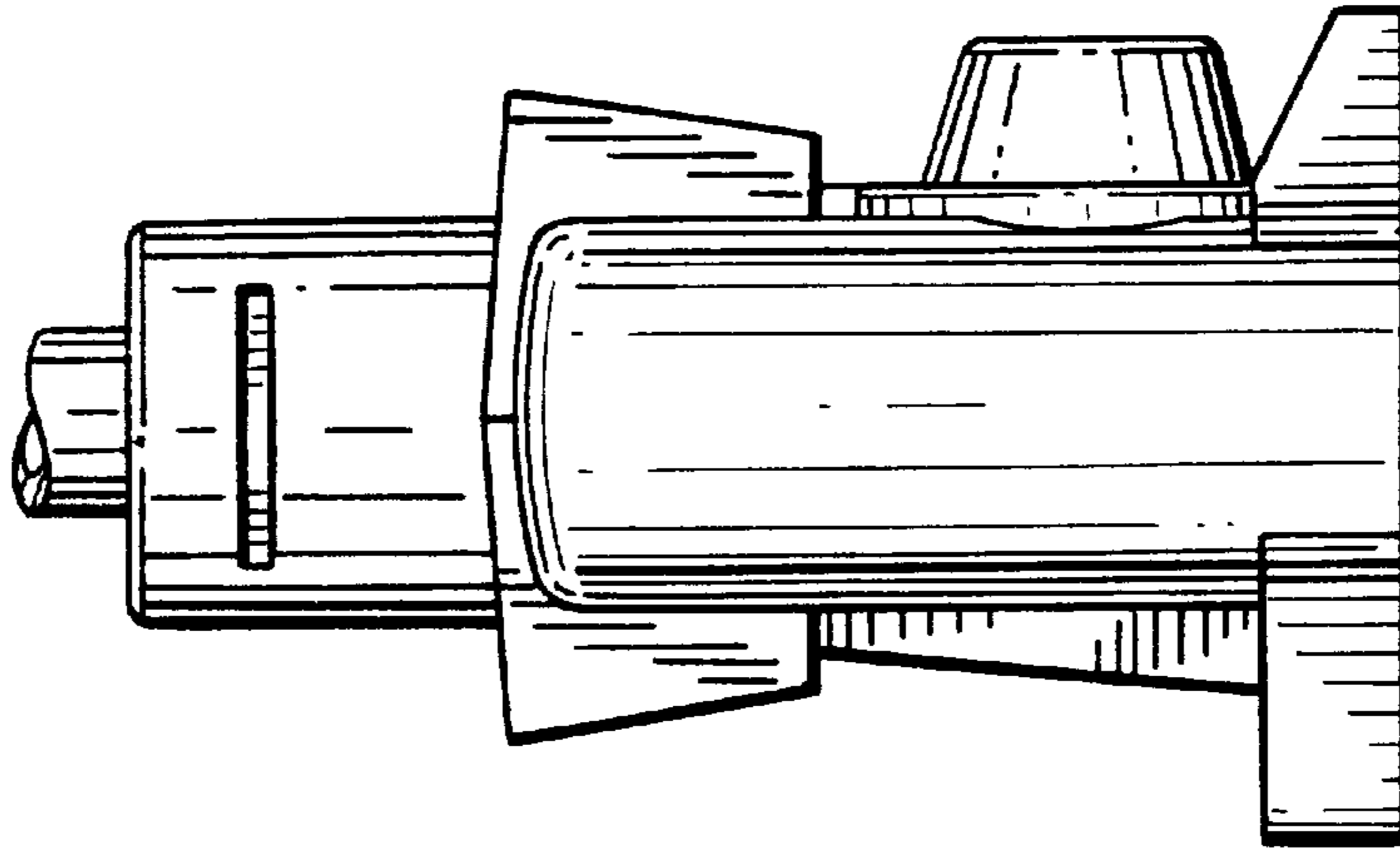
*FIG. 1*

*FIG. 2*



*FIG. 3*

*FIG. 4*



*FIG. 5*

*FIG. 6*

