



US00D409566S

United States Patent [19]
Roman

[11] **Patent Number: Des. 409,566**

[45] **Date of Patent: ** May 11, 1999**

[54] **CONTROL UNIT FOR IRRIGATION SYSTEMS**

*Attorney, Agent, or Firm—*Jacobson, Price, Holman & Stern, PLLC

[75] Inventor: **Gianfranco Roman**, Pasiano, Italy

[57] **CLAIM**

[73] Assignee: **Claber S.p.A.**, Fiume Veneto, Italy

The ornamental design for “control unit for irrigation systems”, substantially as shown in the enclosed drawings.

[**] Term: **14 Years**

DESCRIPTION

[21] Appl. No.: **29/084,445**

FIG. 1 is a perspective view of my new control unit for irrigation systems with cover in open position and open battery space;

[22] Filed: **Mar. 2, 1998**

FIG. 2 is a top plan view of my new control unit for irrigation systems;

[51] **LOC (6) Cl.** **13-03**

[52] **U.S. Cl.** **D13/123; D10/49**

FIG. 3 is a lateral view of my new control unit for irrigation systems;

[58] **Field of Search** D10/49, 50; D13/123, D13/162.1; 137/624.18, 377, 624.11; 364/146

FIG. 4 is an opposed lateral view of my new control unit for irrigation systems;

[56] **References Cited**

U.S. PATENT DOCUMENTS

D. 333,792 3/1993 Odom, Jr. D10/50

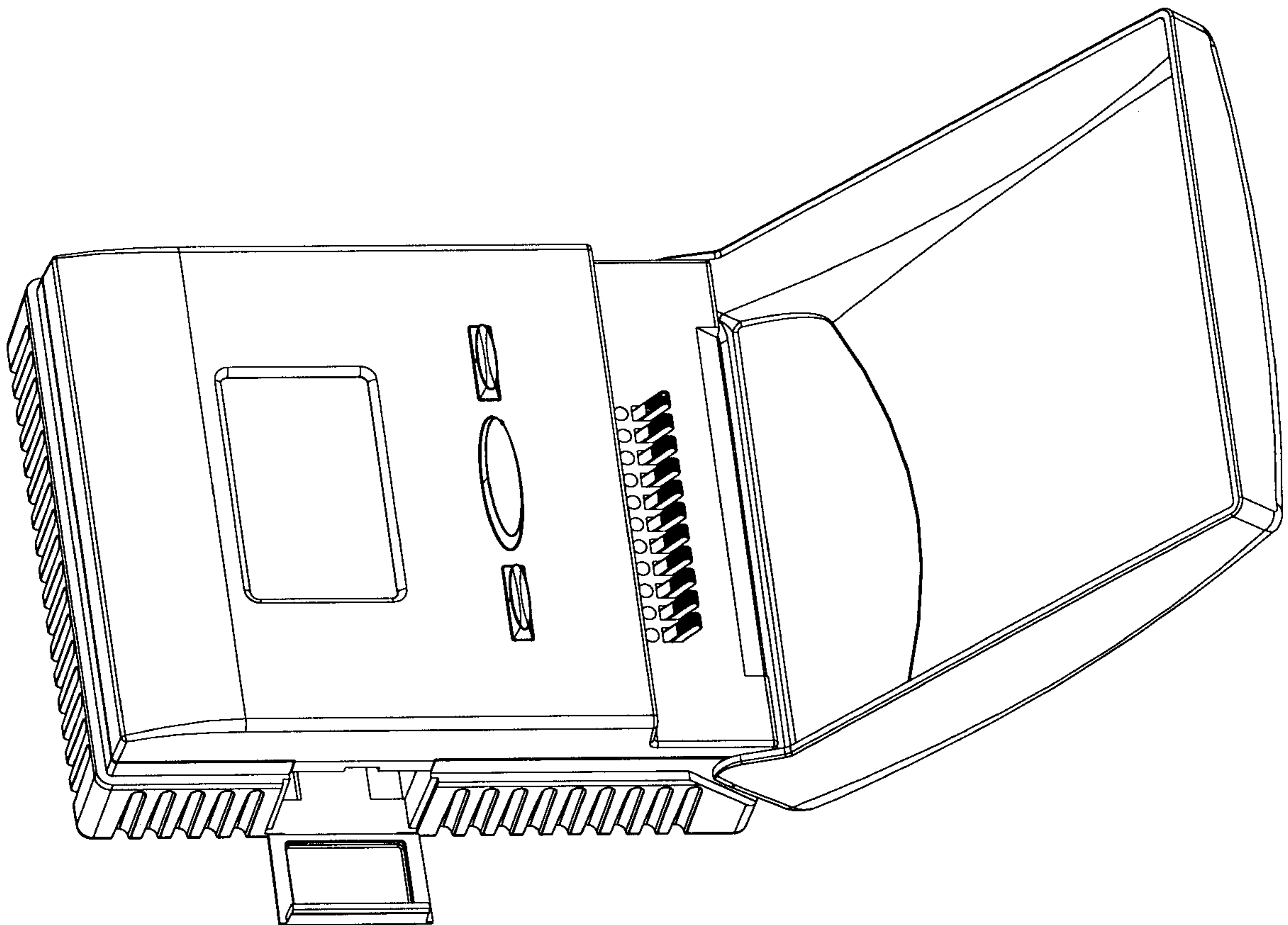
D. 398,900 9/1998 Roman D13/123

FIG. 5 is a front view of my new control unit for irrigation systems; and,

FIG. 6 is a perspective view of my new control unit for irrigation systems with cover in closed position.

*Primary Examiner—*Antoine Duval Davis

1 Claim, 6 Drawing Sheets



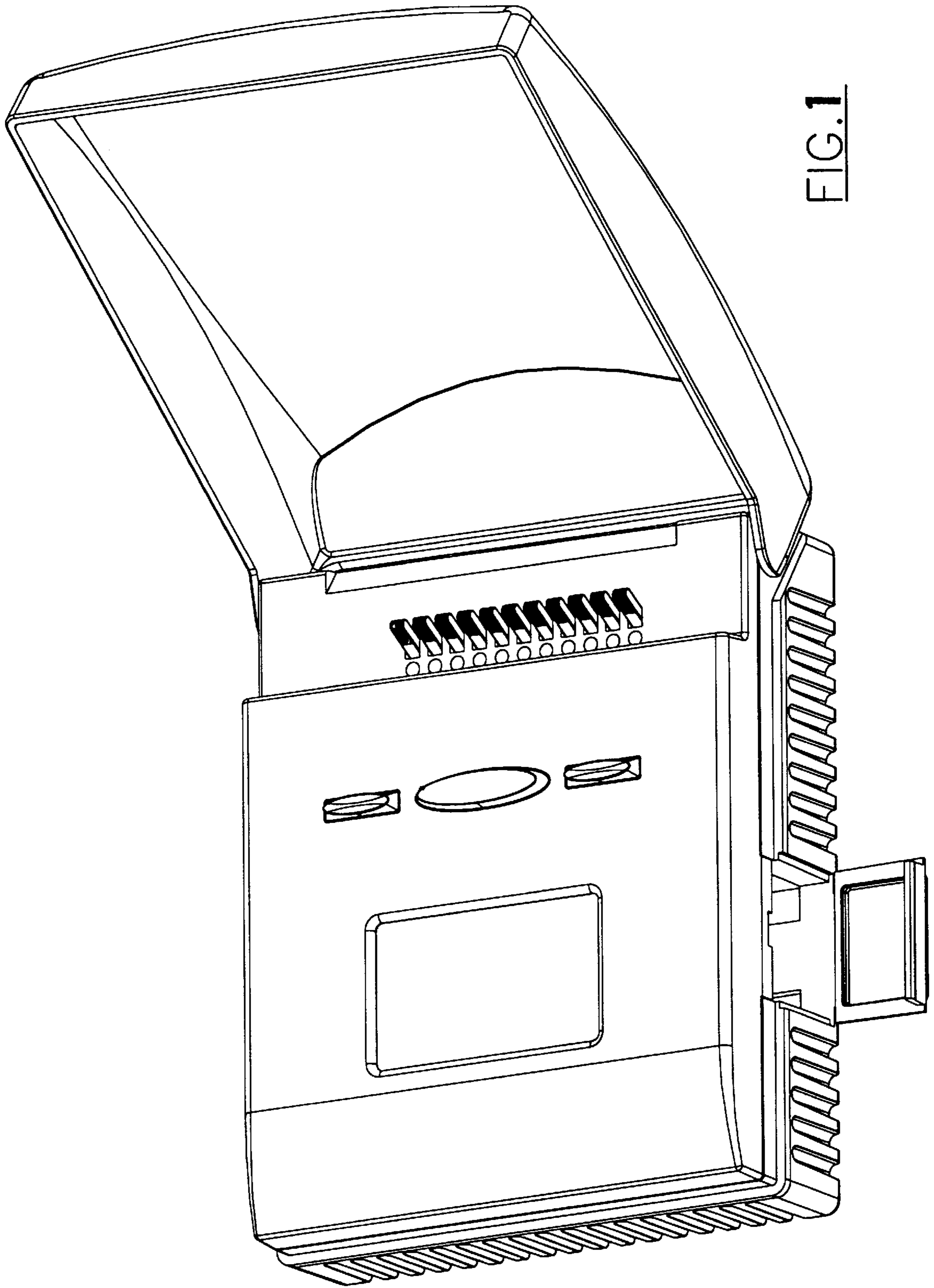


FIG. 1

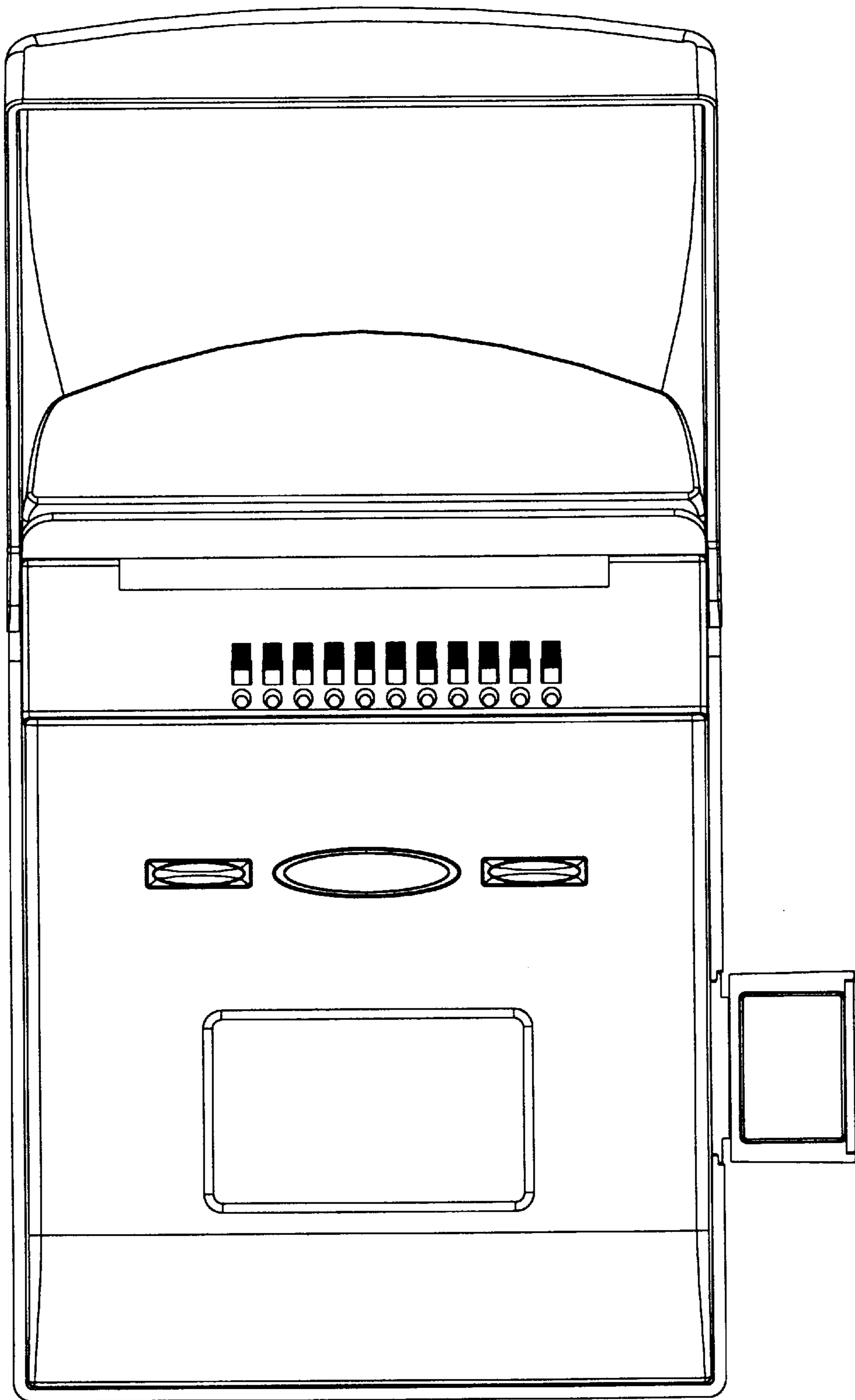


FIG.2

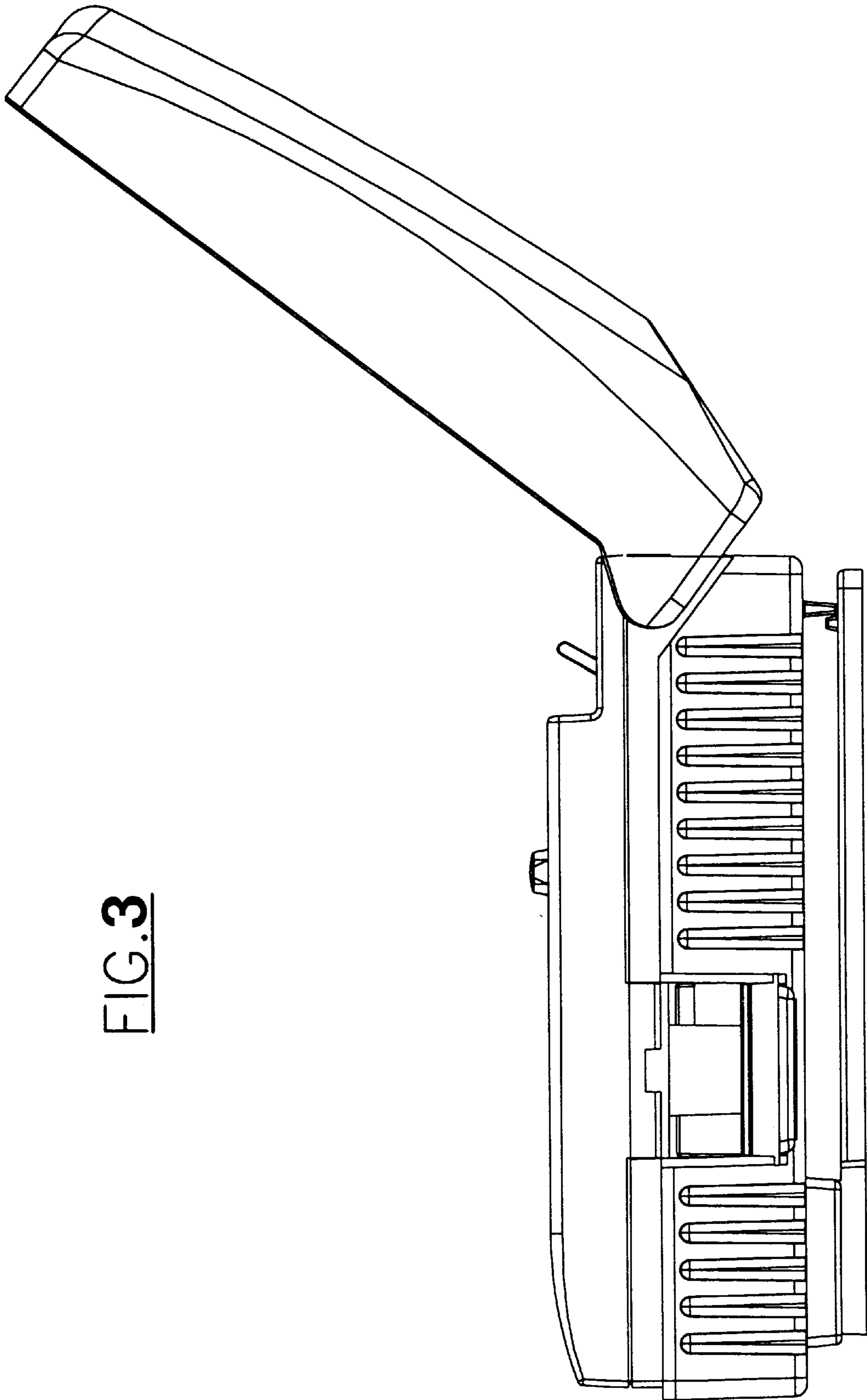
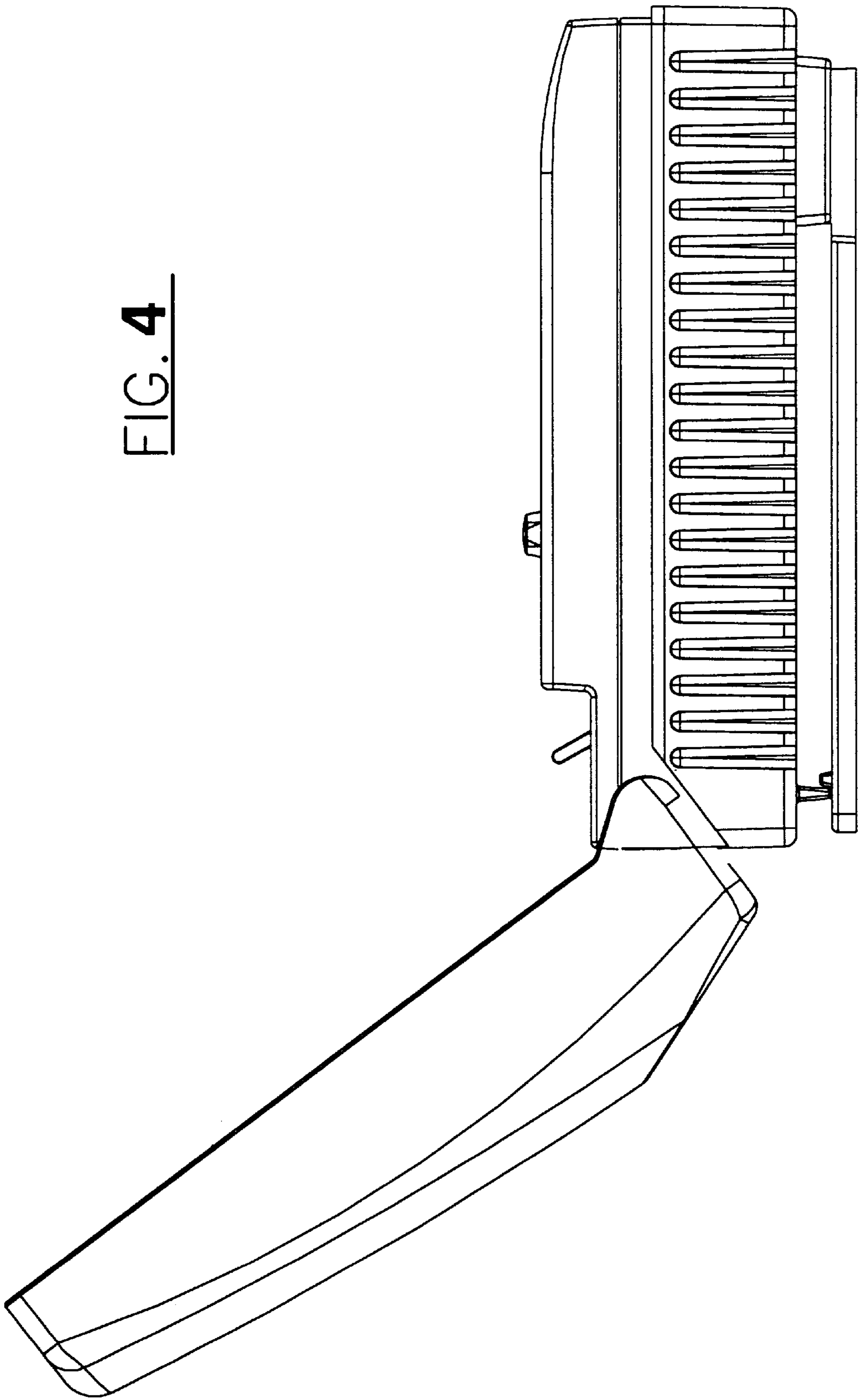


FIG. 3

FIG. 4



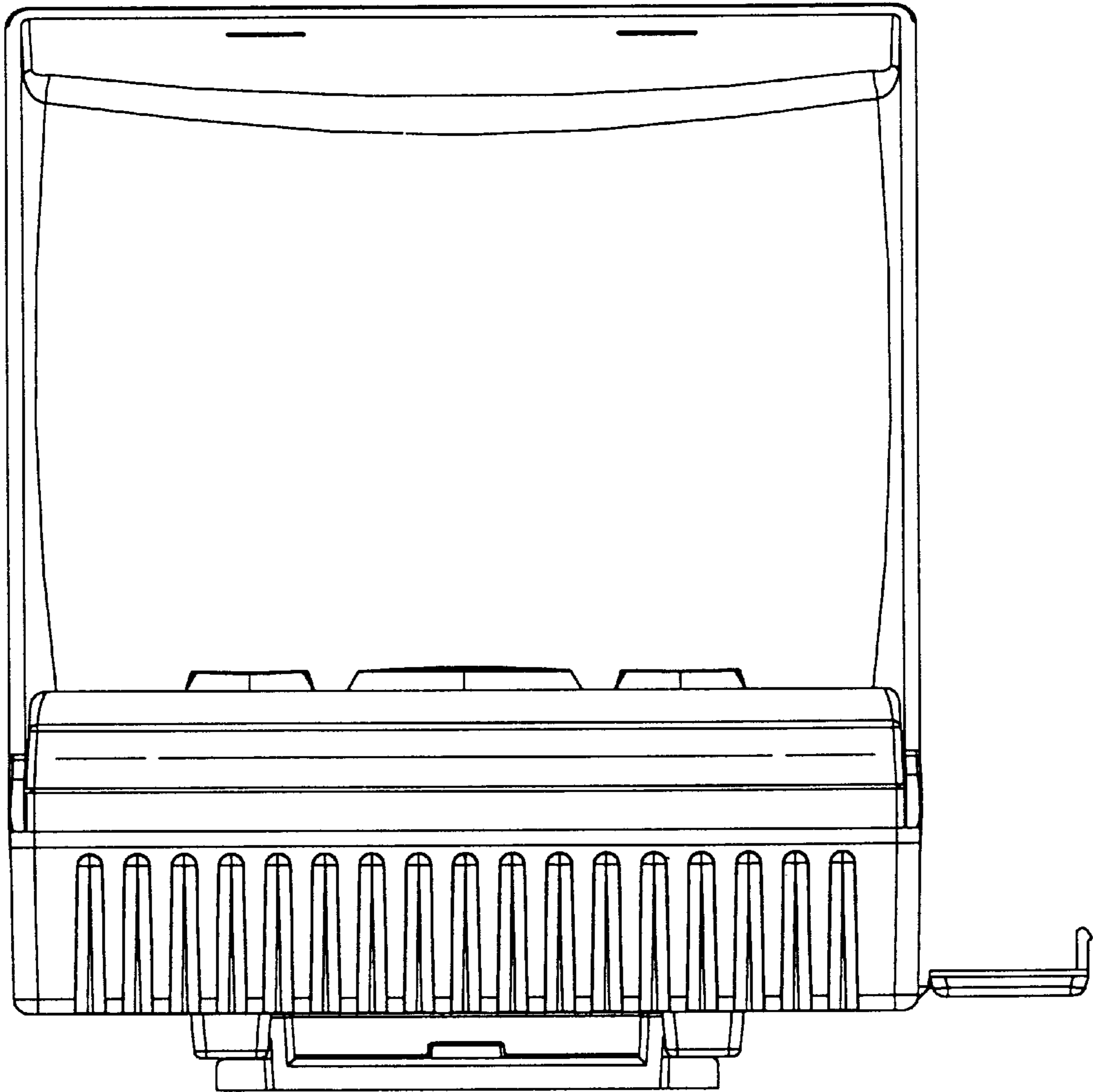


FIG. 5

FIG. 6

