

US00D409564S

United States Patent [19]
Koshida

[11] **Patent Number: Des. 409,564**

[45] **Date of Patent: ** May 11, 1999**

[54] **MOTOR**

Panasonic, "Motor for Optical Disc Media Device '96-97," 1996, pp. 1, 3, and 5-8. Sep. 1, 1996.

[75] Inventor: **Masanobu Koshida**, Tokyo, Japan

[73] Assignee: **Sony Corporation**, Tokyo, Japan

Primary Examiner—Brian N. Vinson
Attorney, Agent, or Firm—Foley & Lardner

[**] Term: **14 Years**

[21] Appl. No.: **29/073,750**

[57] **CLAIM**

[22] Filed: **May 27, 1997**

The ornamental design for a motor, as shown and described.

[51] **LOC (6) Cl.** **13-01**

[52] **U.S. Cl.** **D13/112**

[58] **Field of Search** D13/112, 101,
D13/113, 114; 310/40 R

DESCRIPTION

[56] **References Cited**

FIG. 1 is a top perspective view of a motor showing my new design;

U.S. PATENT DOCUMENTS

FIG. 2 is a top plan view thereof; and,

- D. 301,454 6/1989 Hara et al. D13/112
- D. 301,574 6/1989 Riggs D13/112
- D. 364,375 11/1995 Sakashita et al. D13/112
- D. 397,992 9/1998 Shimomura et al. D13/112
- 4,093,897 6/1978 Fujita et al. 310/40 R

FIG. 3 is an elevational view thereof, the opposite and adjacent elevations being identical in appearance.

OTHER PUBLICATIONS

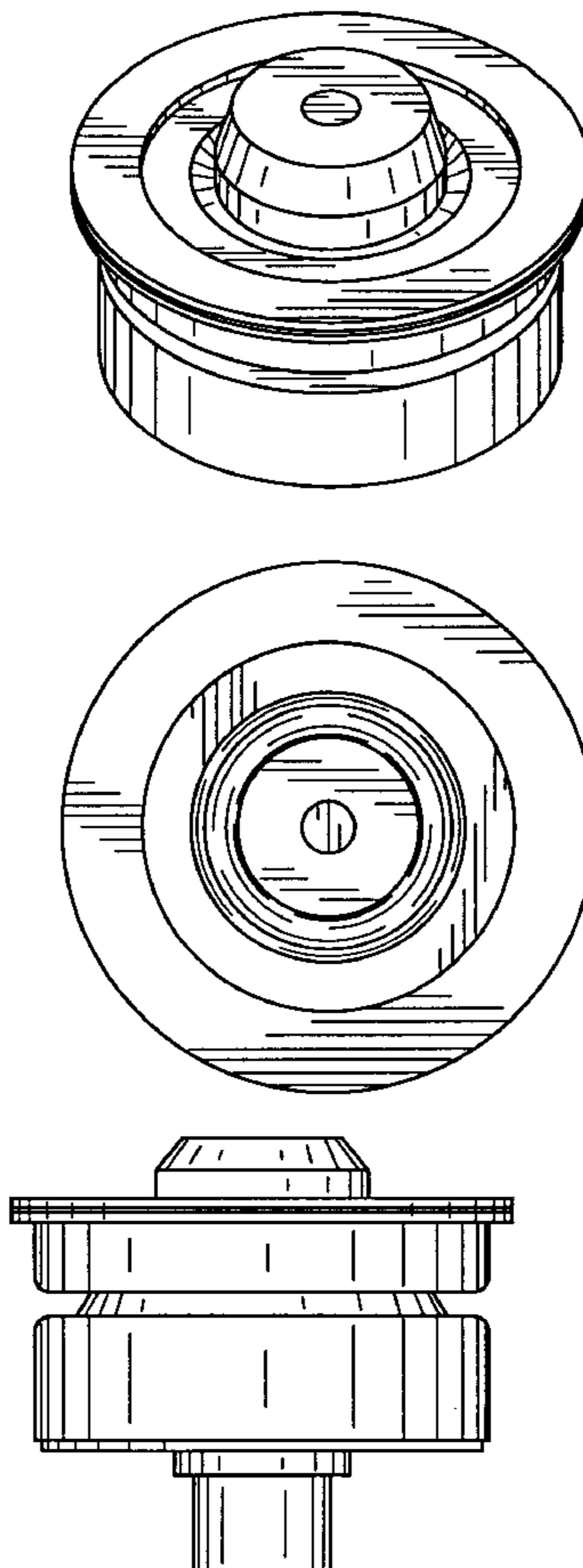
The undisclosed bottom forms no part of the claimed design.

Sankyo Products, "'96-97 Sankyo Products Catalog," 1996, pp. 16-18. 1996.

In the specification, views which are now shown in the drawings do not form part of the applicant's invention.

Sankyo Products, "'95-'96 Sankyo Products," 1995, pp. 2-4. 1995.

1 Claim, 1 Drawing Sheet



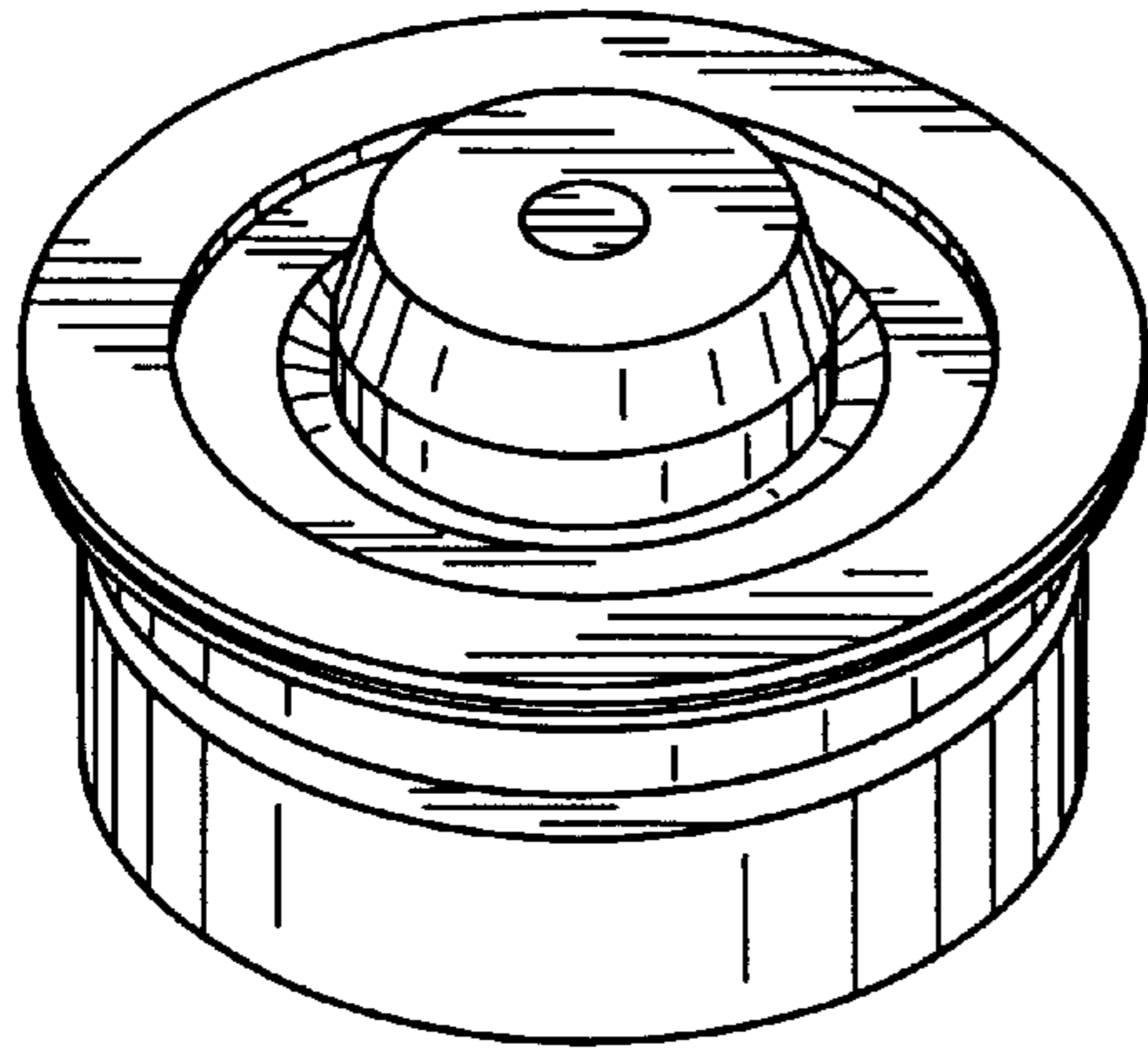


FIG. 1

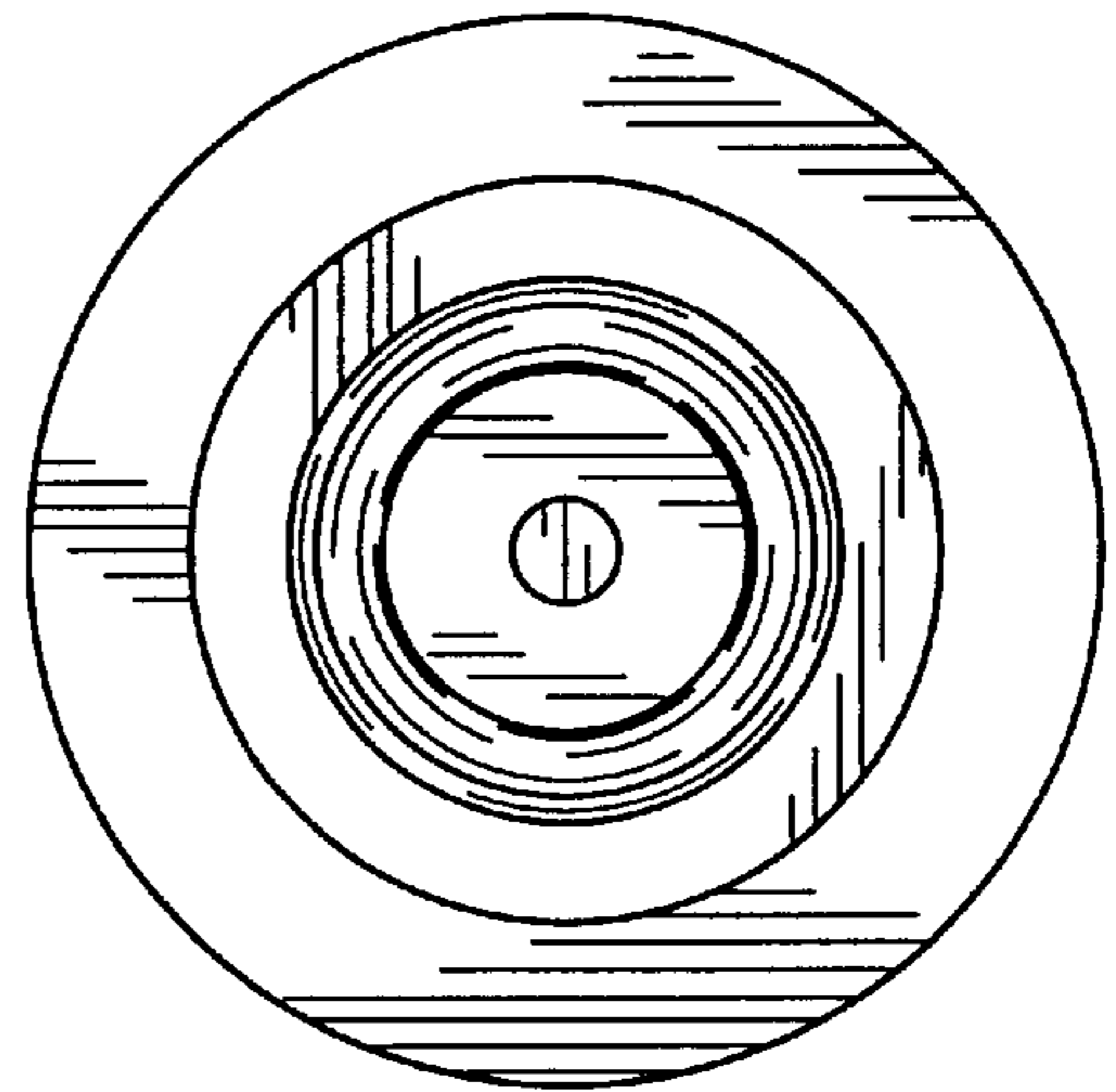


FIG. 2

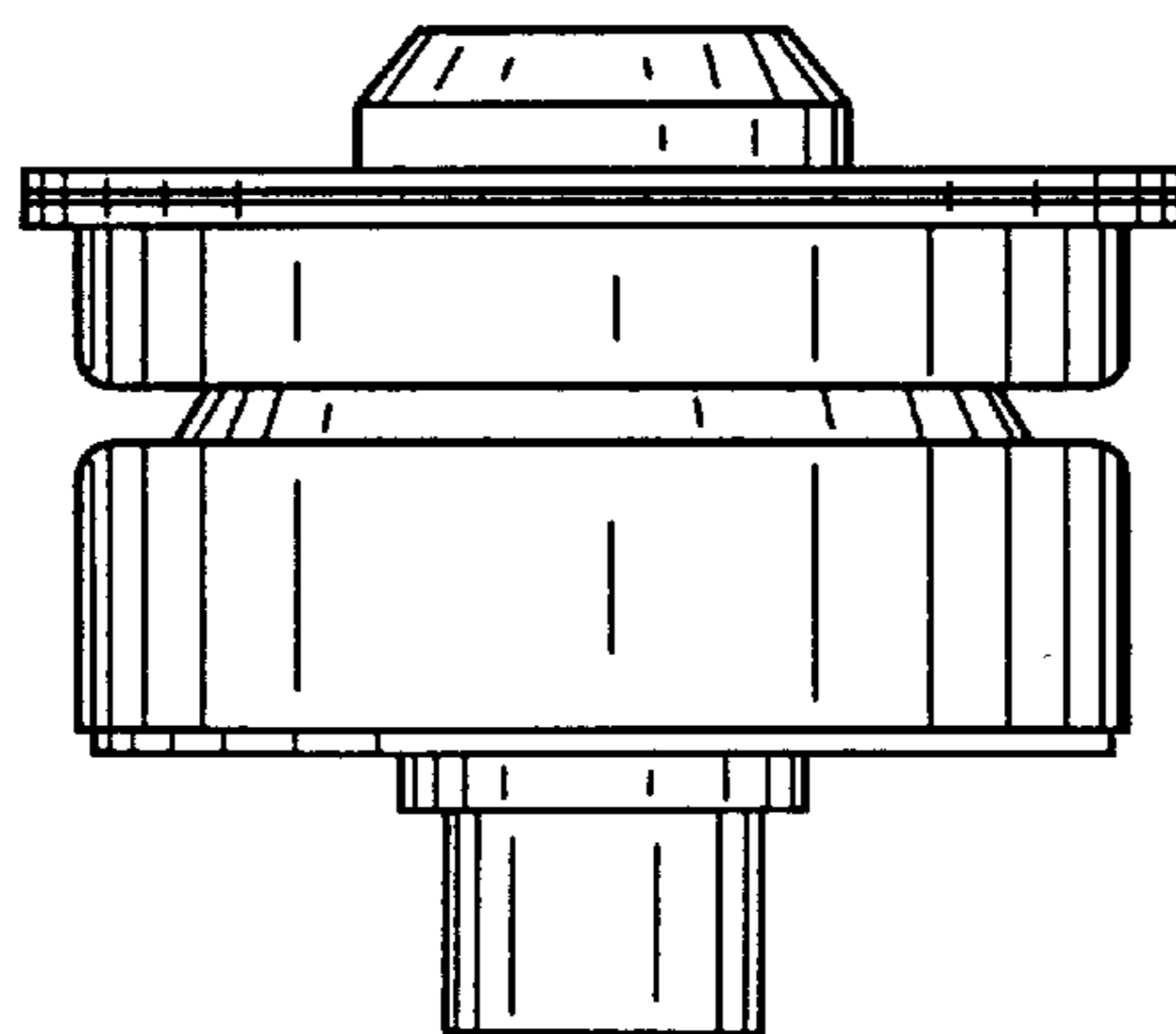


FIG. 3