



US00D409560S

United States Patent [19] Shim

[11] Patent Number: Des. 409,560

[45] Date of Patent: ** May 11, 1999

[54] BATTERY CASE

[75] Inventor: Jae Hoon Shim, Seoul, Rep. of Korea

[73] Assignee: Daewoo Electronics Co., Ltd., Seoul, Rep. of Korea

[**] Term: 14 Years

[21] Appl. No.: 29/057,291

[22] Filed: Jul. 22, 1996

[30] Foreign Application Priority Data

Apr. 29, 1996 [KR] Rep. of Korea 96-8102

[51] LOC (6) Cl. 13-02

[52] U.S. Cl. D13/103; D13/119

[58] Field of Search D13/103, 119;
429/96-100, 164-165, 166, 167, 168, 169,
170, 178

[56] References Cited

U.S. PATENT DOCUMENTS

4,161,568 7/1979 Lund 429/99
4,383,007 5/1983 Murphy 429/96 X
4,514,477 4/1985 Kobayashi 429/98

4,965,141 10/1990 Suzuki 429/99 X
4,997,731 3/1991 Machida et al. 429/164 X
5,229,220 7/1993 Stanton et al. 429/99 X
5,294,497 3/1994 Muramatsu et al. 429/97
5,431,575 7/1995 Engira 429/99 X
5,528,460 6/1996 Byrd 429/96 X
5,537,022 7/1996 Huang 429/99 X
5,607,322 3/1997 Schaub 429/100 X

Primary Examiner—Joel Sincavage
Attorney, Agent, or Firm—Zarley, McKee, Thomte,
Voorhees, & Sease

[57] CLAIM

I claim the ornamental design for a battery case, as shown and described.

DESCRIPTION

FIG. 1 is a perspective view of a battery case embodying my new design;
FIG. 2 is a front view thereof;
FIG. 3 is a rear view thereof;
FIG. 4 is a top plan view thereof;
FIG. 5 is a bottom plan view thereof;
FIG. 6 is a left side view thereof; and,
FIG. 7 is a right side view thereof.

1 Claim, 3 Drawing Sheets

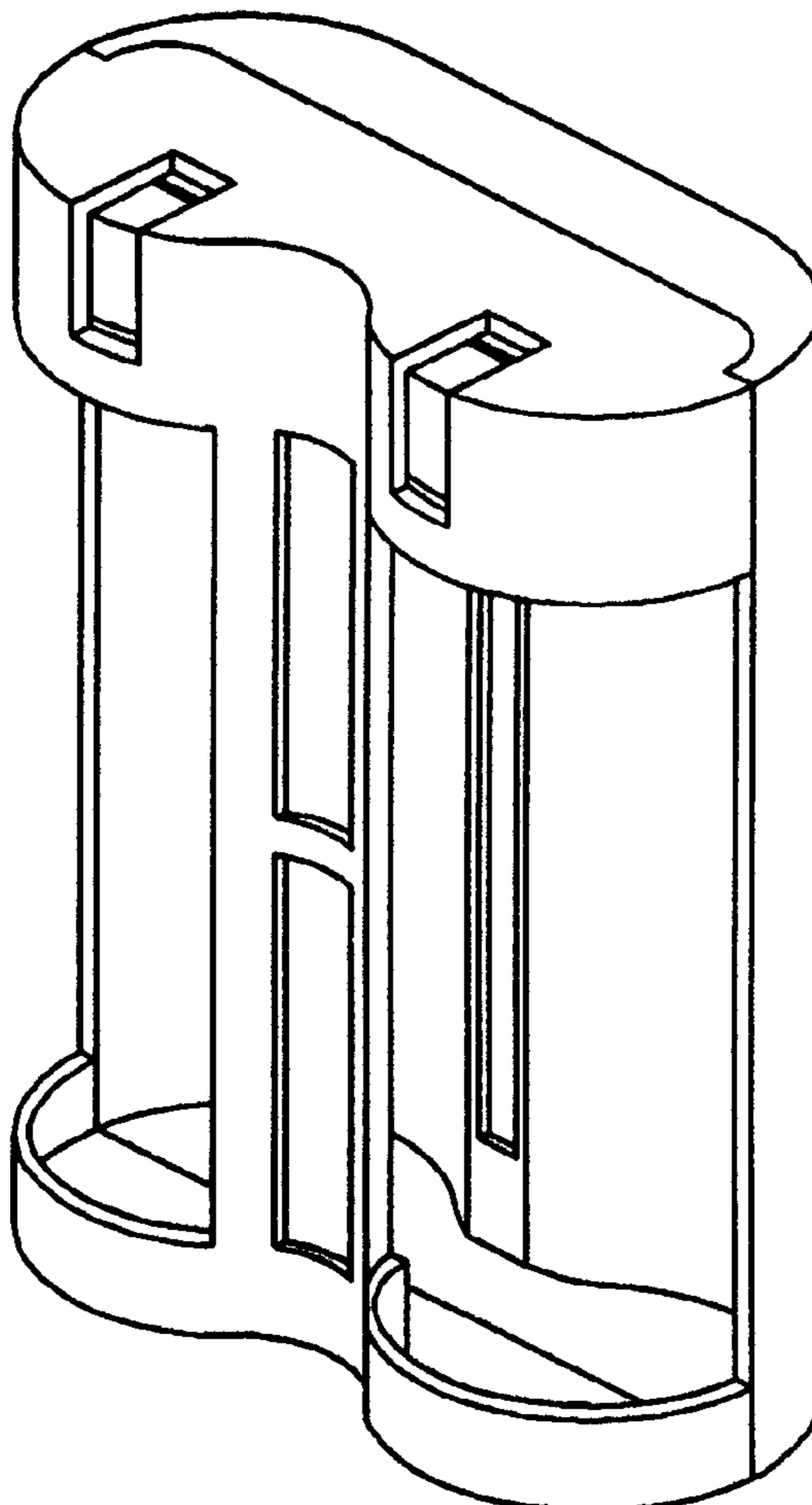


FIG. 1

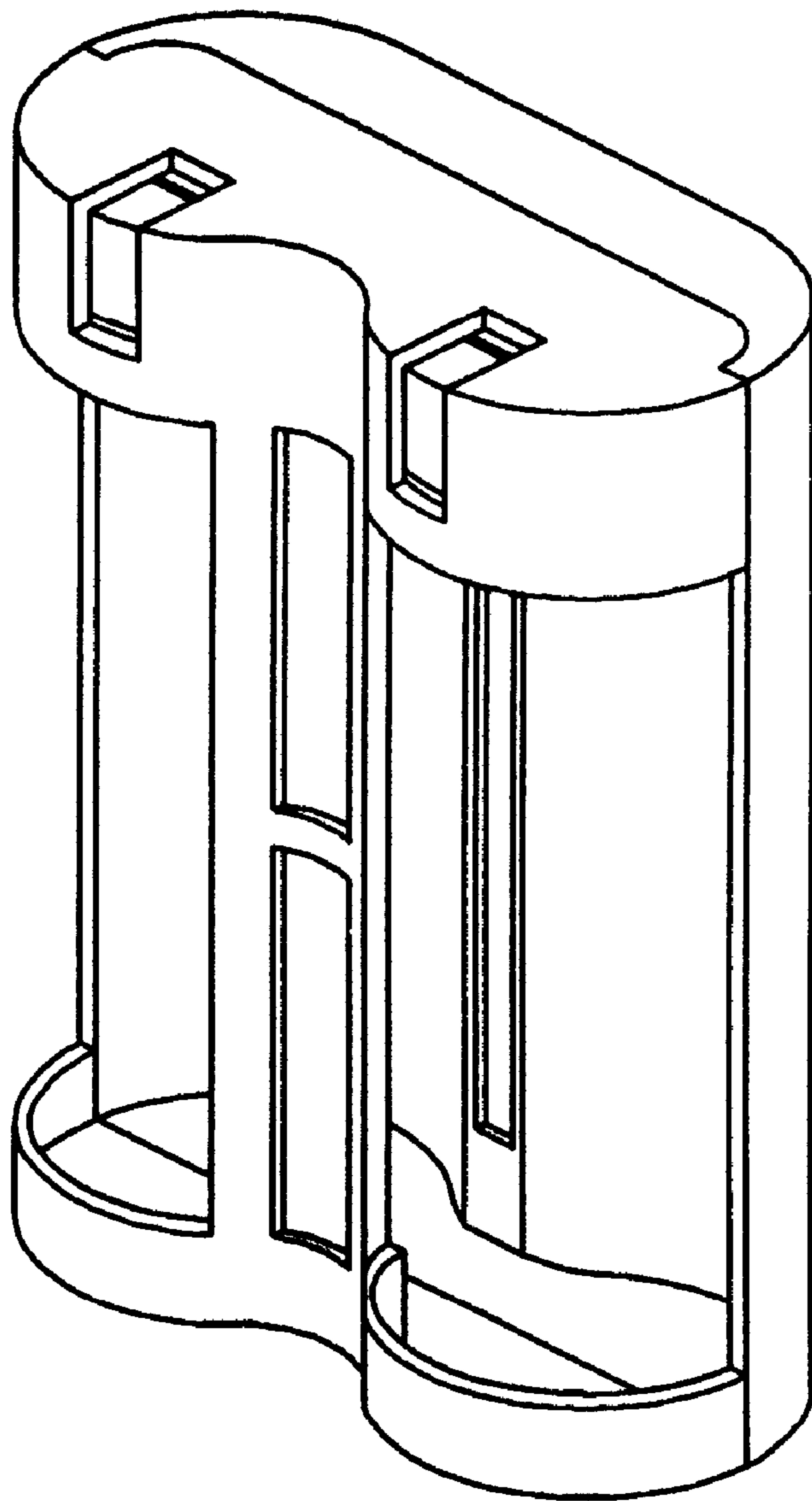


FIG.2

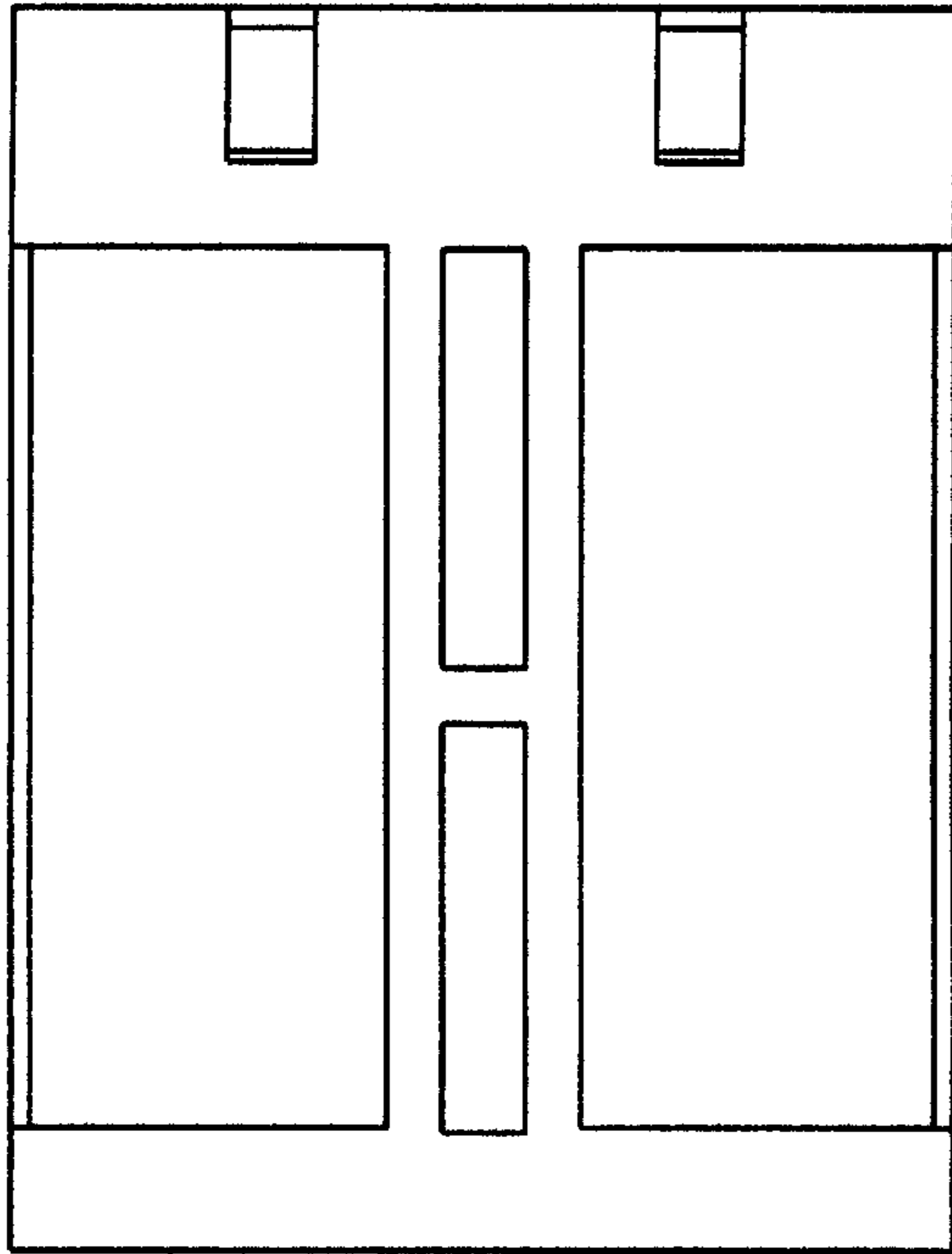


FIG.3

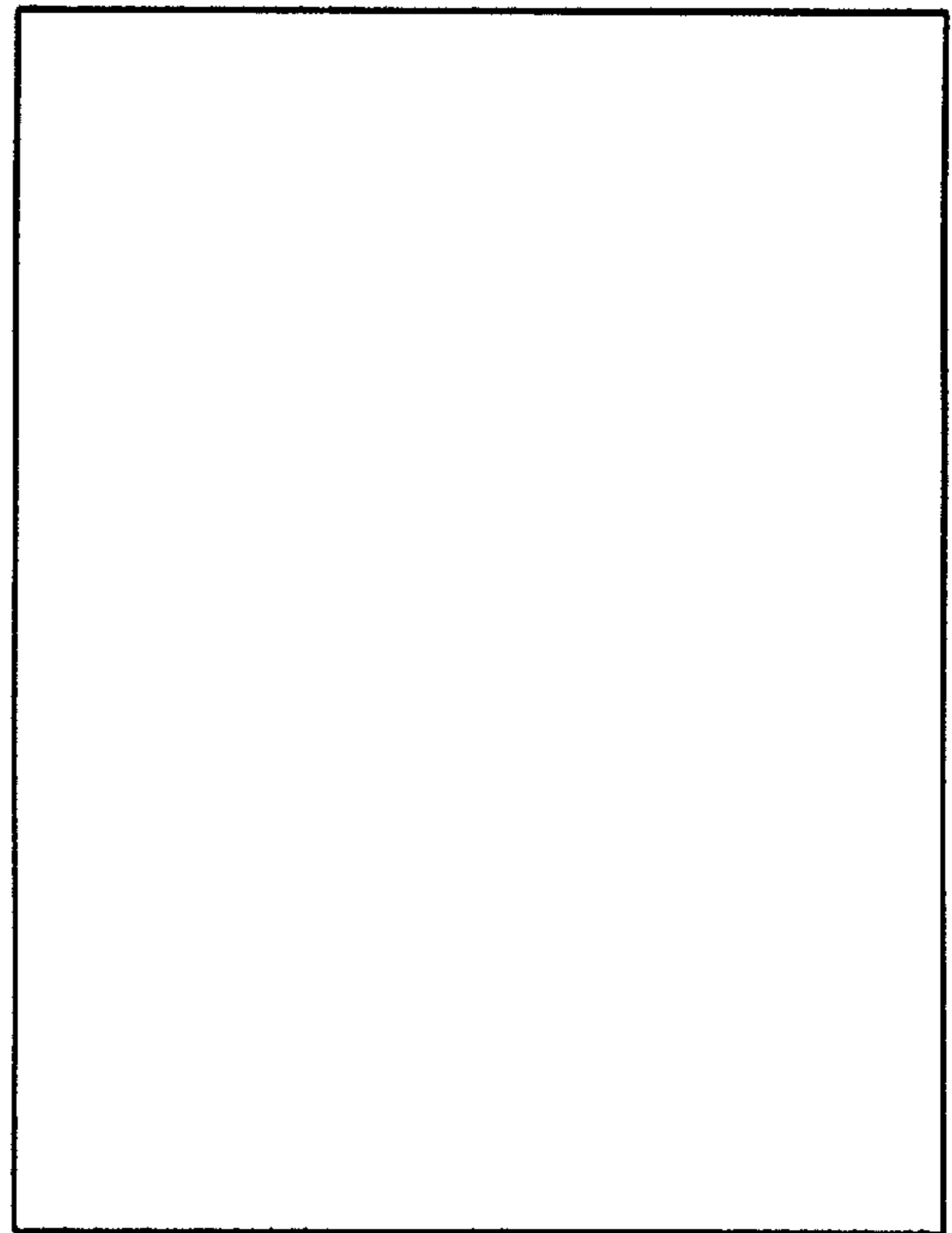


FIG.4

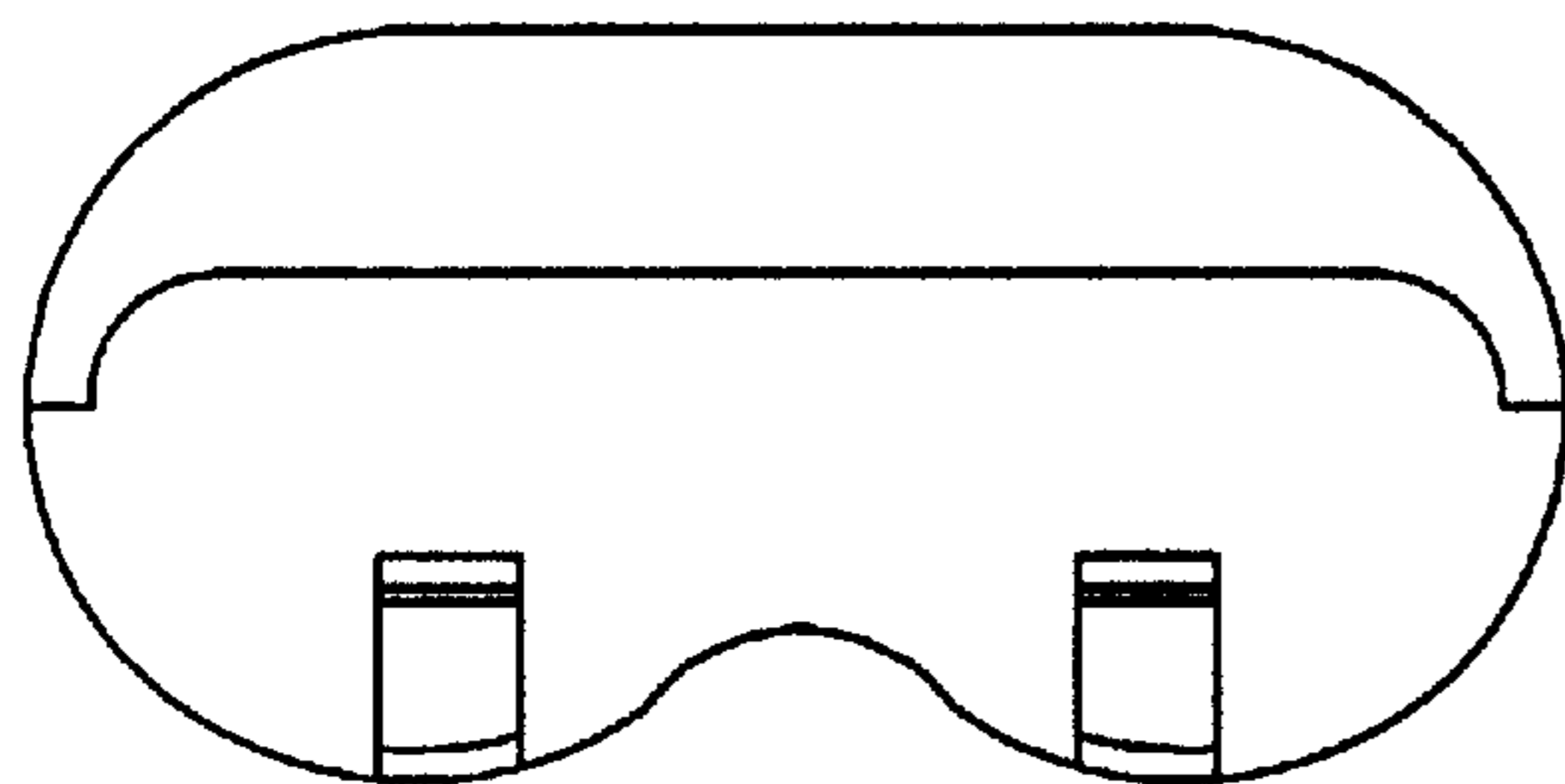


FIG.5

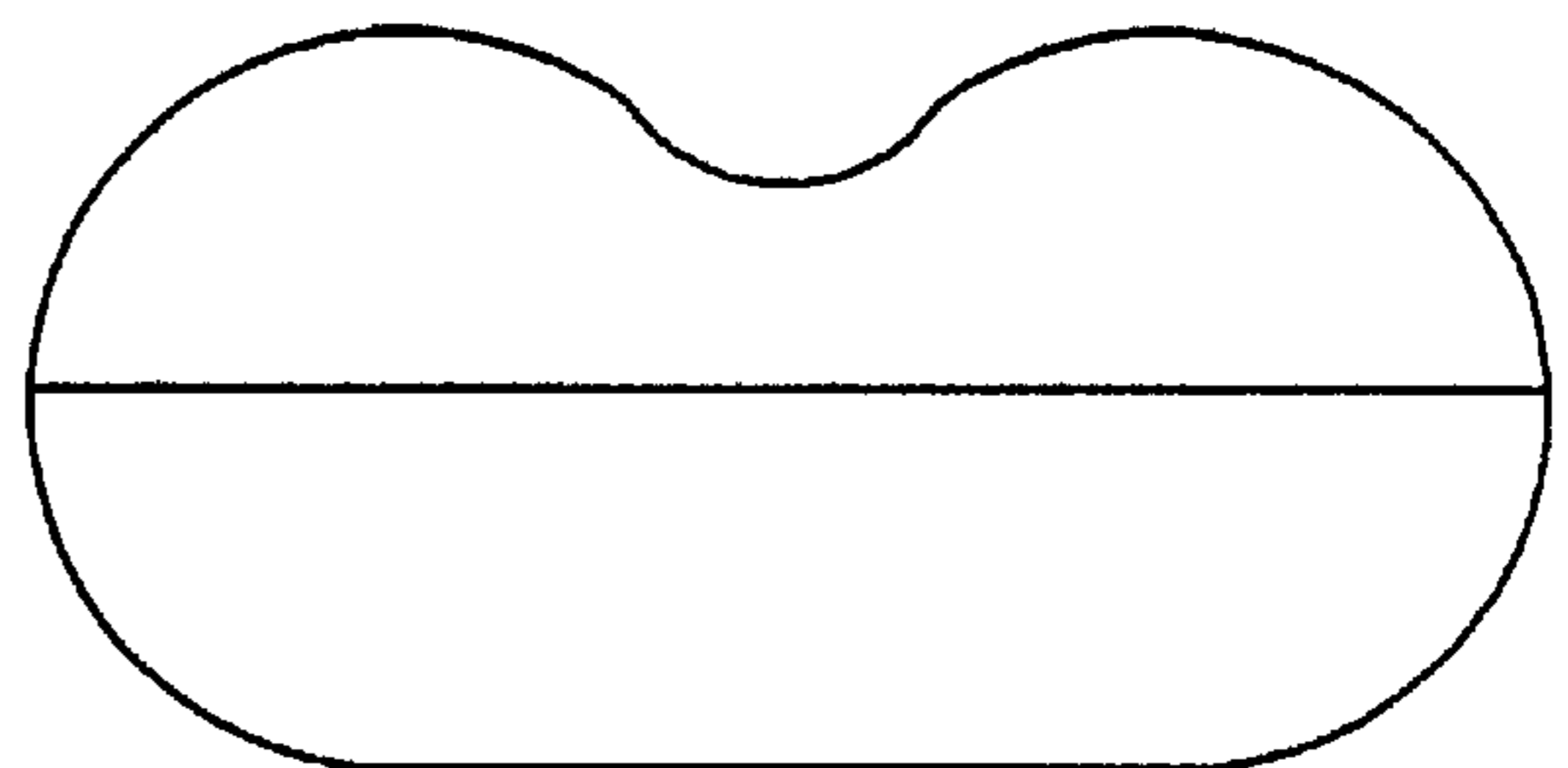


FIG. 6

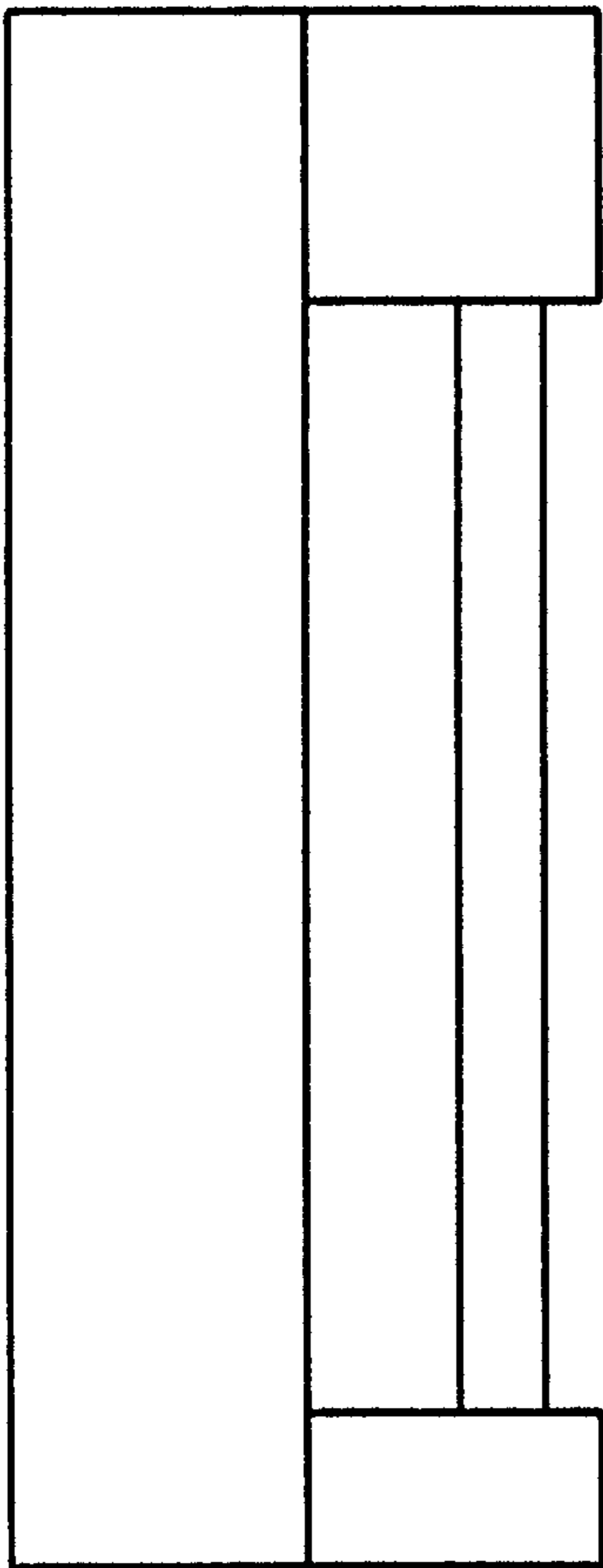


FIG. 7

