



US00D409558S

United States Patent [19]
Lundgren

[11] **Patent Number: Des. 409,558**

[45] **Date of Patent: ** May 11, 1999**

[54] **GRIP KNOB FOR LOAD CARRIER**

[75] Inventor: **Anders Lundgren**, Grimsås, Sweden

[73] Assignee: **Industri AB Thule**, Hillerstorp, Sweden

[*] Notice: This patent is subject to a terminal disclaimer.

[**] Term: **14 Years**

[21] Appl. No.: **29/042,941**

[22] Filed: **Aug. 21, 1995**

[30] **Foreign Application Priority Data**

Jun. 12, 1995 [SE] Sweden 95-1215

[51] **LOC (6) Cl.** **12-16**

[52] **U.S. Cl.** **D12/414**

[58] **Field of Search** D12/414, 400;
224/309-315, 317, 322-329, 331; 296/37.7

[56] **References Cited**

U.S. PATENT DOCUMENTS

D. 297,628 9/1988 Robson D12/414

D. 309,126 7/1990 Carr D12/414
D. 320,182 9/1991 Sporham et al. D12/414
D. 321,496 11/1991 Sporham et al. D12/414
4,640,450 2/1987 Gallion et al. 224/331

Primary Examiner—Melody N. Brown
Attorney, Agent, or Firm—Royston, Rayzor, Vickery, Novak & Druce

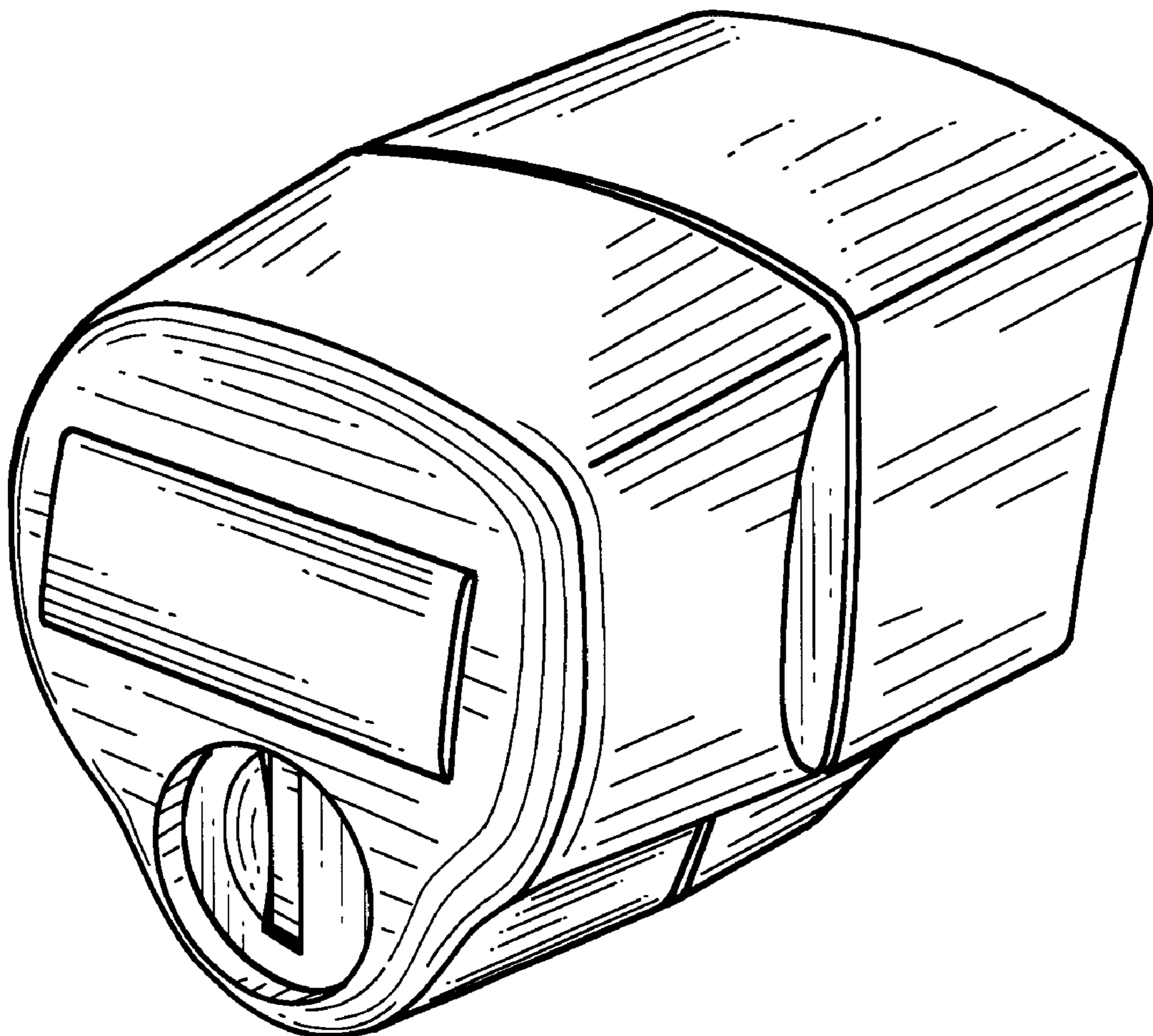
[57] **CLAIM**

The ornamental design for a grip knob for load carrier, as shown and described.

DESCRIPTION

FIG. 1 is a front perspective view of the grip knob for load carrier;
FIG. 2 is a rear perspective view thereof;
FIG. 3 is a right view thereof;
FIG. 4 is a top view thereof;
FIG. 5 is a bottom view thereof;
FIG. 6 is a front view thereof; and,
FIG. 7 is a back view thereof.

1 Claim, 3 Drawing Sheets



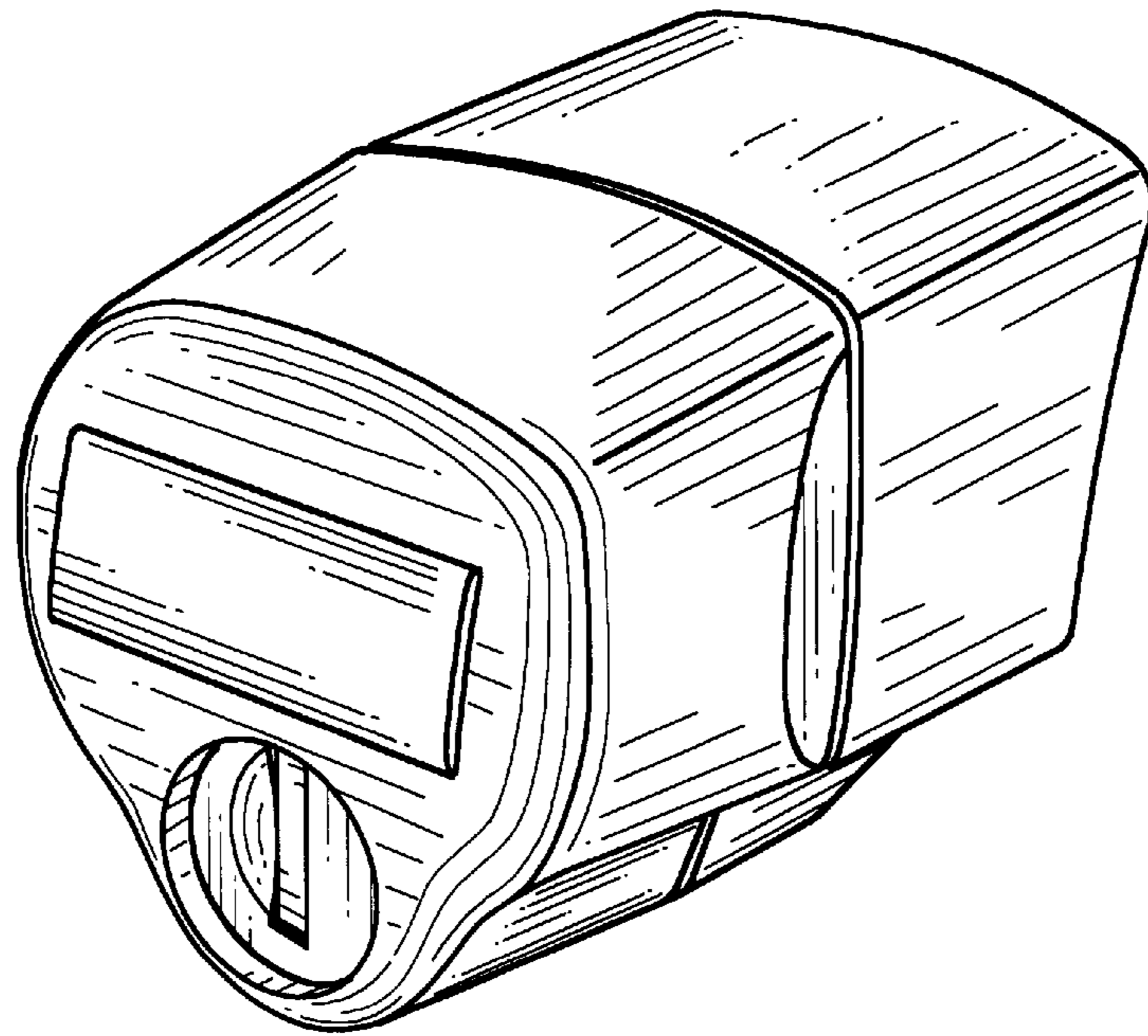


Fig. 1

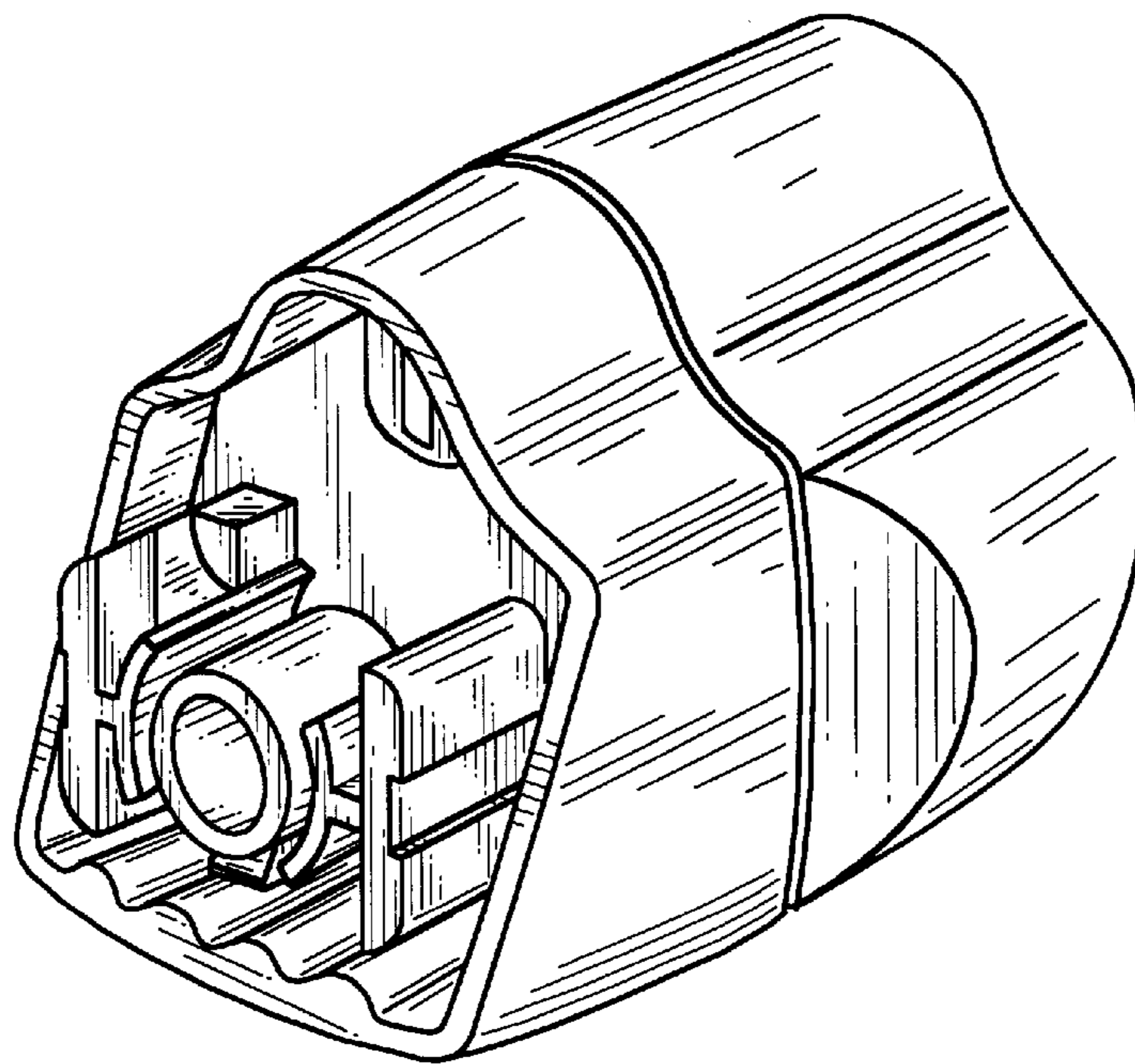


Fig. 2

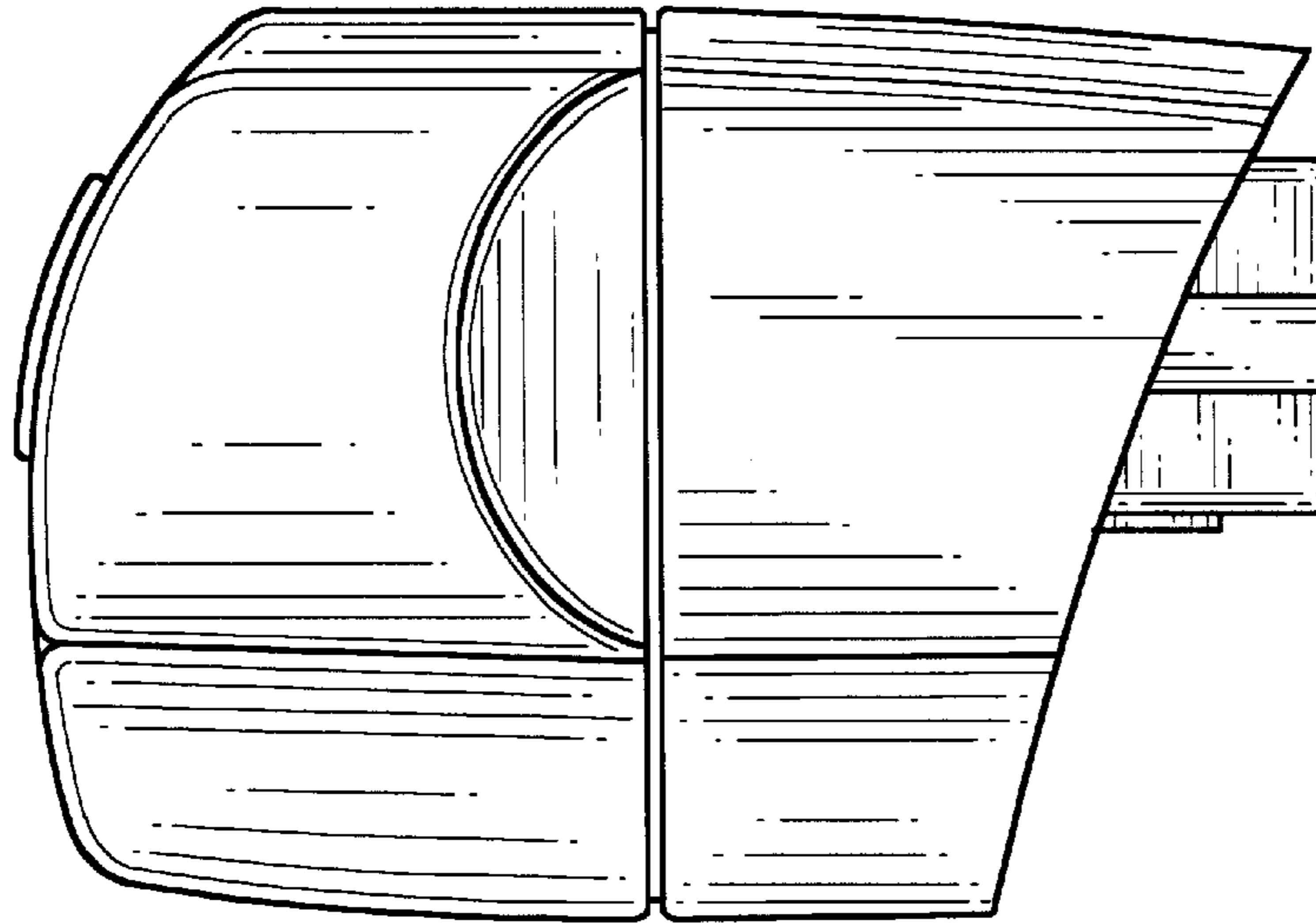


Fig. 3

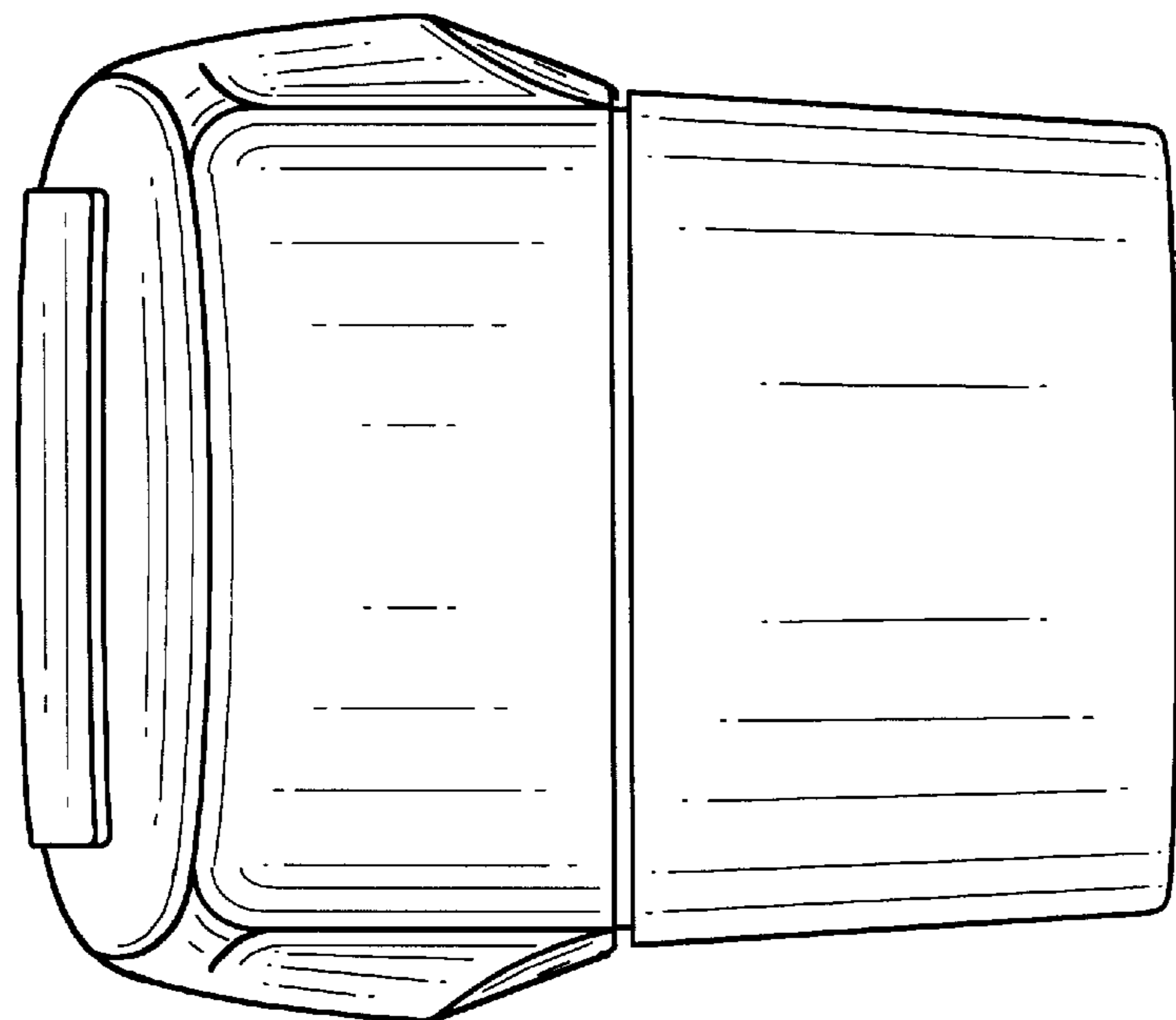


Fig. 4

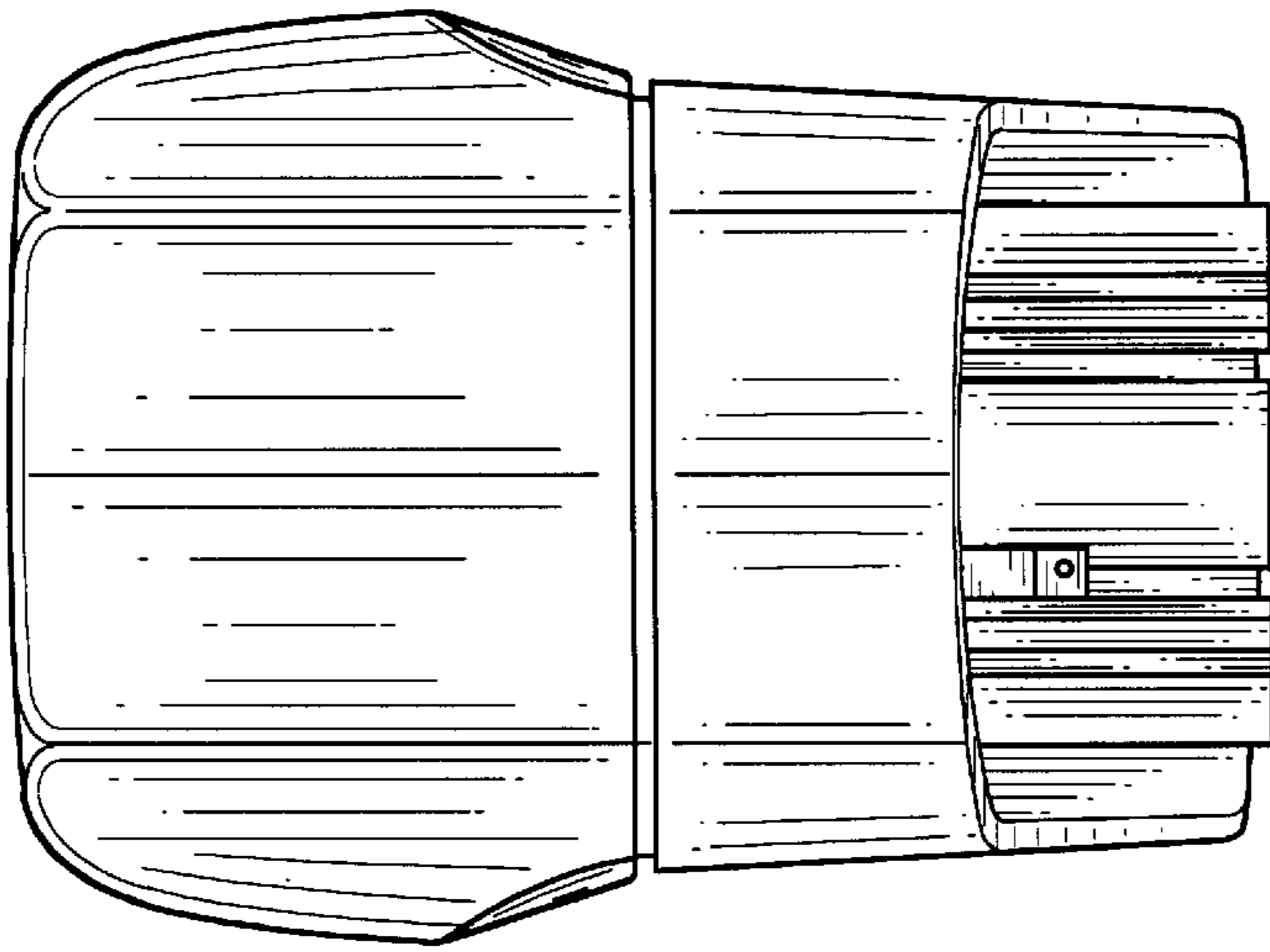


Fig. 5

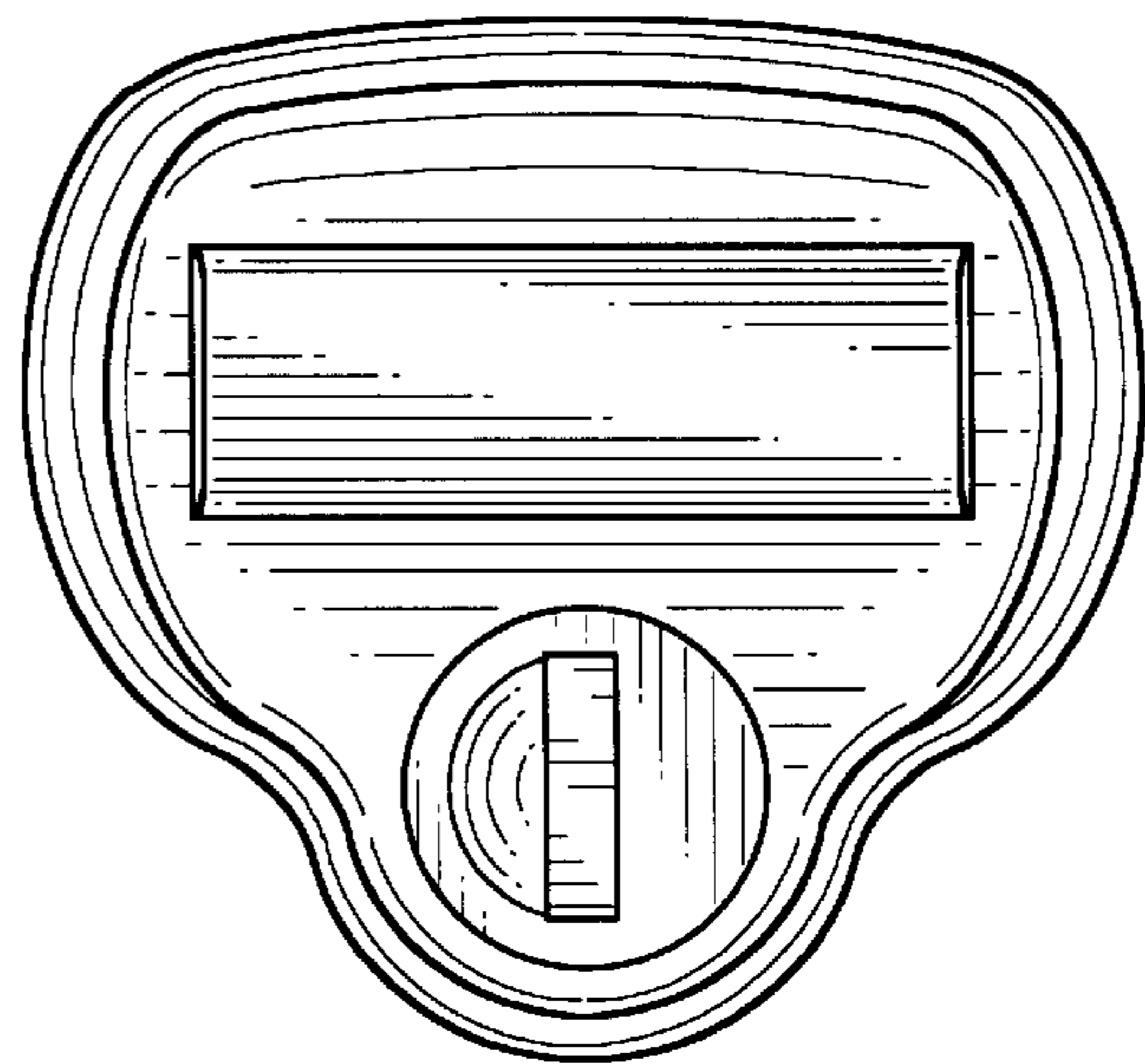


Fig. 6

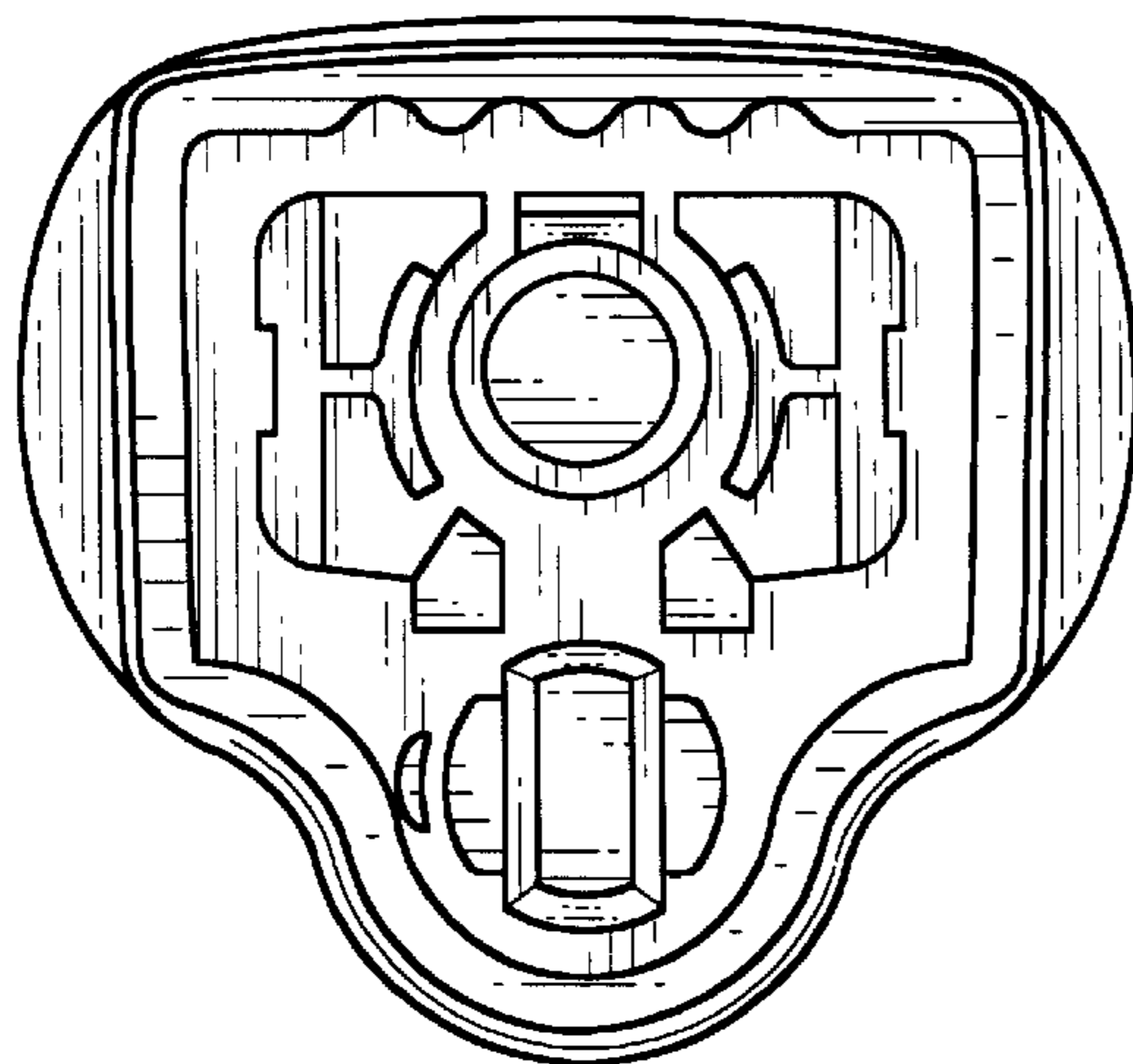


Fig. 7