

US00D409556S

United States Patent [19] Miller

[11] Patent Number: Des. 409,556

[45] Date of Patent: ** May 11, 1999

[54] SLATTED COVER

[75] Inventor: Robert Miller, Schaumburg, Ill.

[73] Assignee: Zip Dee, Inc., Elk Grove Village, Ill.

[**] Term: 14 Years

[21] Appl. No.: 29/073,332

[22] Filed: Jul. 7, 1997

[51] LOC (6) Cl. 12-16

[52] U.S. Cl. D12/401

[58] Field of Search D12/100, 401,
D12/403; 135/88.01, 88.05, 88.07, 88.1,
903, 908; 296/98, 100, 136, 163, 172

[56] References Cited

U.S. PATENT DOCUMENTS

D. 365,080	12/1995	Loughlin	D12/401
2,848,274	8/1958	Geisler et al.	296/102
4,550,945	11/1985	Englehardt	296/183
4,634,172	1/1987	Duda	.	
4,776,629	10/1988	Cross	296/100
4,784,427	11/1988	Burgess	296/98
4,941,524	7/1990	Greer	296/163
5,251,950	10/1993	Bernardo	296/98
5,350,213	9/1994	Bernardo	296/98
5,566,918	10/1996	Becker	296/163
5,597,006	1/1997	Simonetti	135/88.1
5,823,216	10/1998	Simonetti	135/88.1
5,913,424	9/1998	Simonetti	135/88.1

Primary Examiner—Robert M. Spear
Attorney, Agent, or Firm—Emrich & Dithmar

[57] CLAIM

The ornamental design for a slatted cover, as shown and described.

DESCRIPTION

FIG. 1 is a perspective view of the slatted cover in its extended or use position;

FIG. 2 is a front view of the slatted cover illustrated in FIG. 1;

FIG. 3 is a left side view of the slatted cover illustrated in FIG. 1, taken in the direction of arrow 3—3 of FIG. 1, the opposite side view being a mirror image thereof;

FIG. 4 is a top view of the slatted cover illustrated in FIG. 1;

FIG. 5 is a bottom view of the slatted cover illustrated in FIG. 1;

FIG. 6 is a front view like FIG. 1 illustrating the slatted cover in its stored or rolled up position;

FIG. 7 is a left side view of the slatted cover illustrated in FIG. 1, taken in the direction of arrow 7-7 of FIG. 6, the opposite side view being a mirror image thereof;

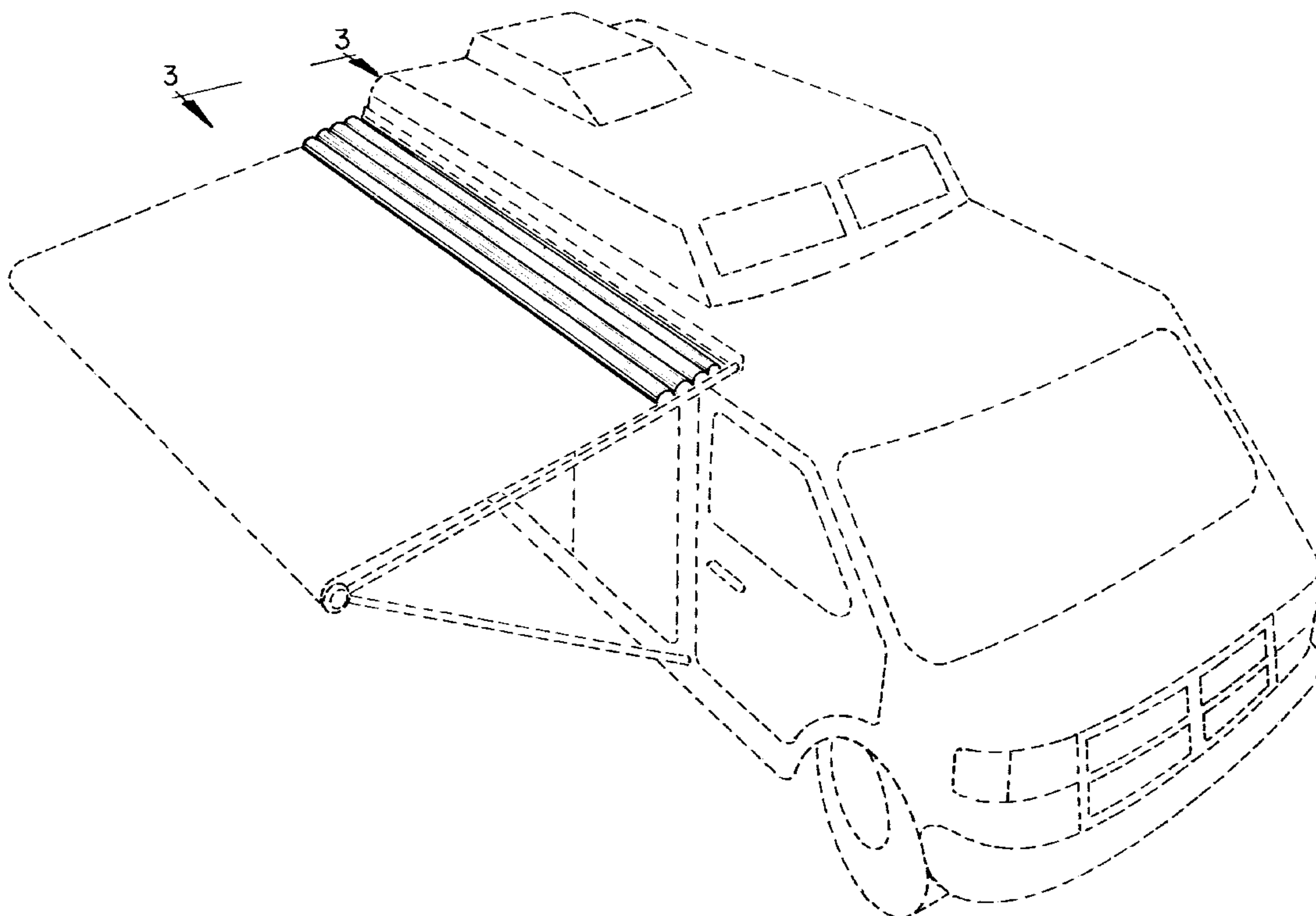
FIG. 8 is a front view of the slatted cover in its stored or rolled up position;

FIG. 9 is a top view of the slatted cover in its stored or rolled up position; and,

FIG. 10 is a bottom view of the slatted cover in its stored or rolled up position.

The broken line showing of a vehicle and cover support structure is for illustrative purposes only and forms no part of the claimed design.

1 Claim, 5 Drawing Sheets



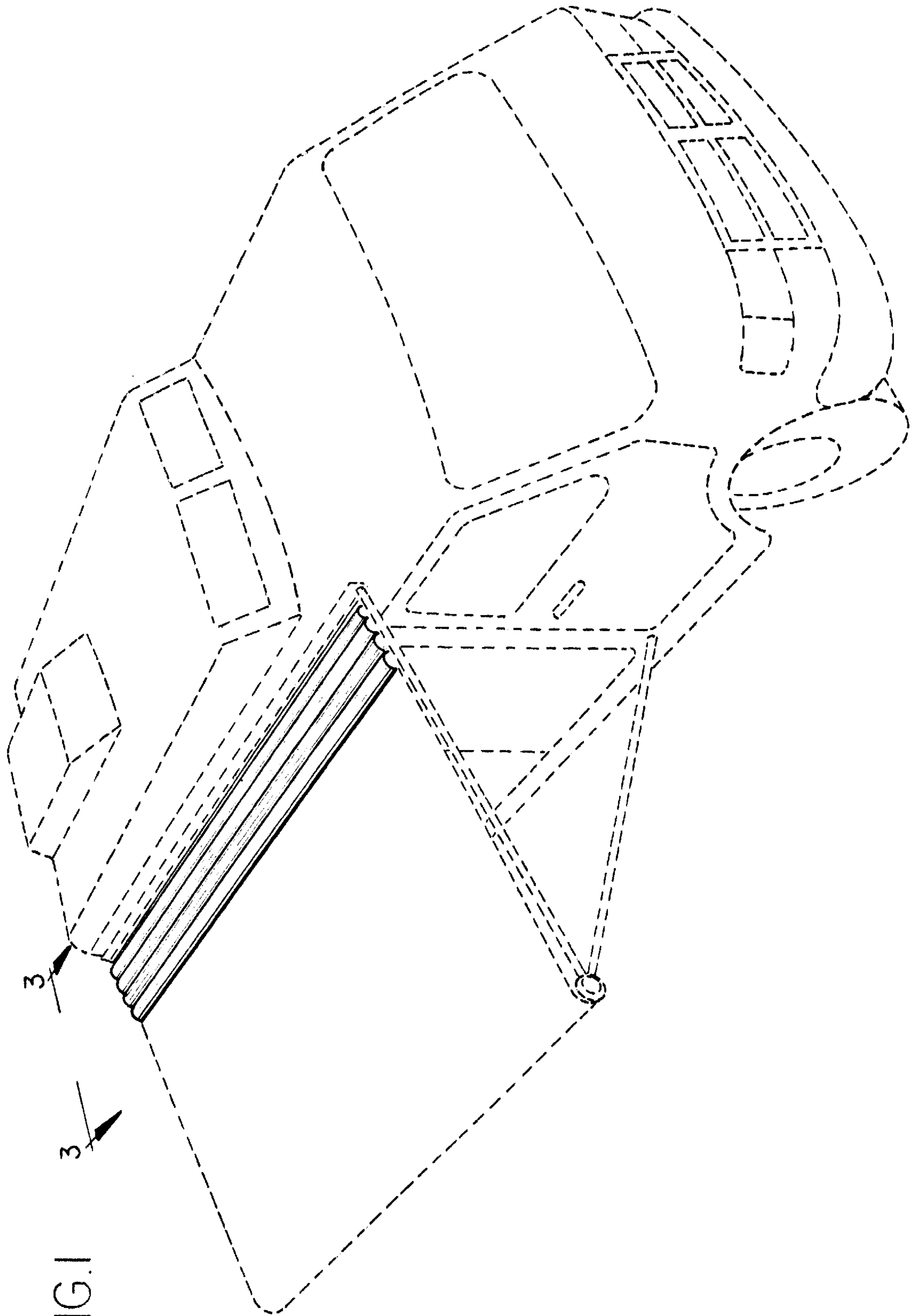


FIG. 1

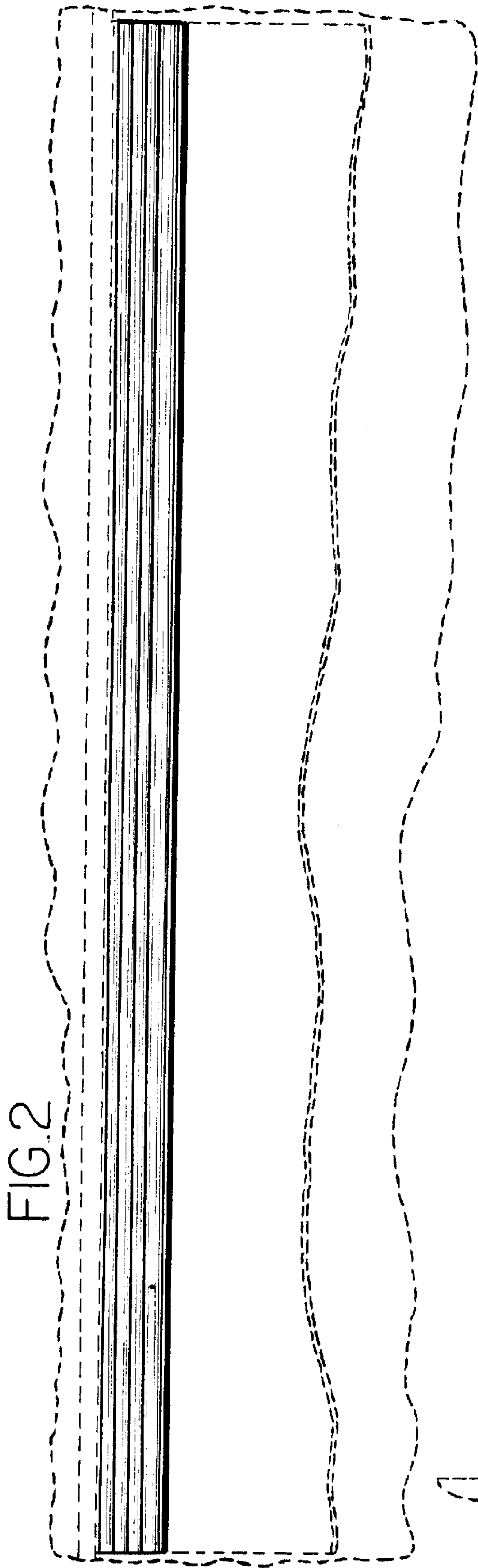


FIG. 3

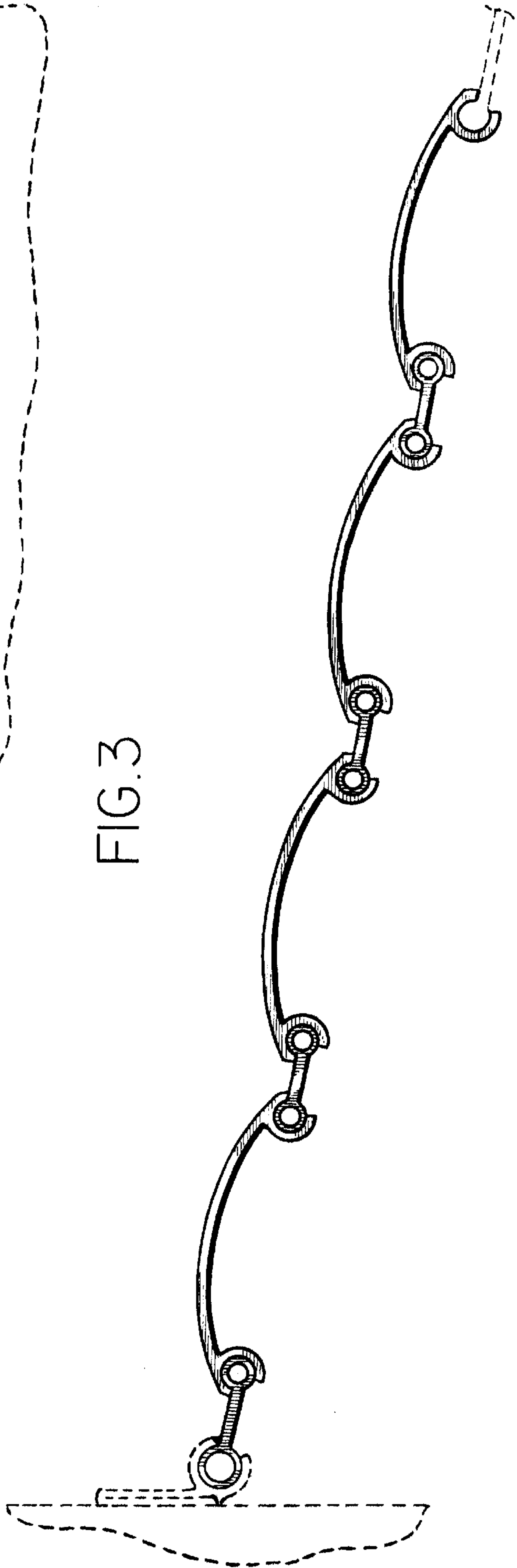


FIG.4

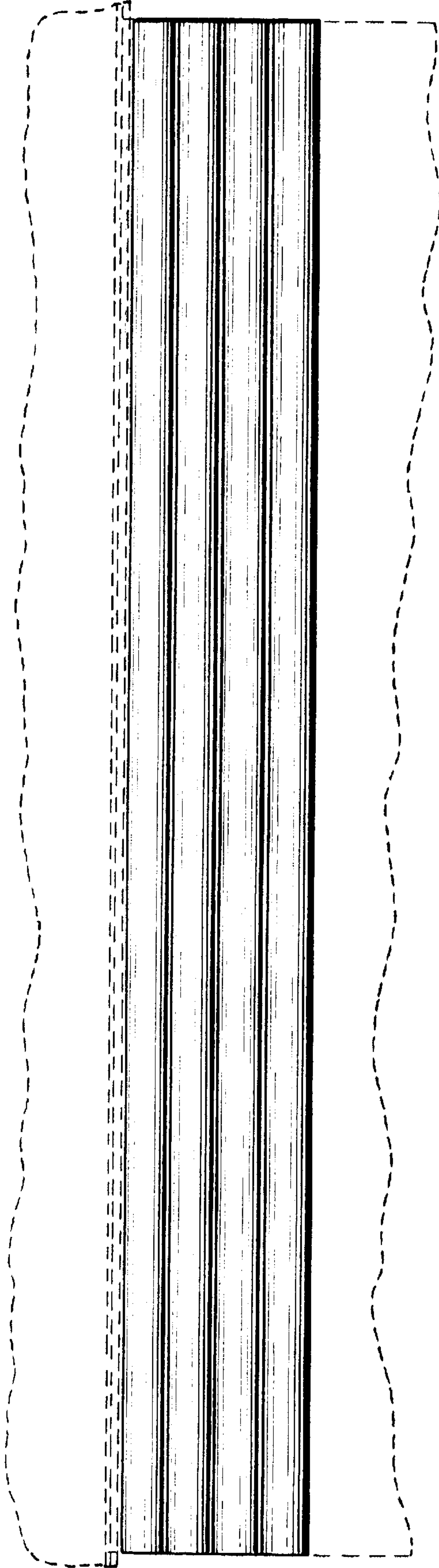
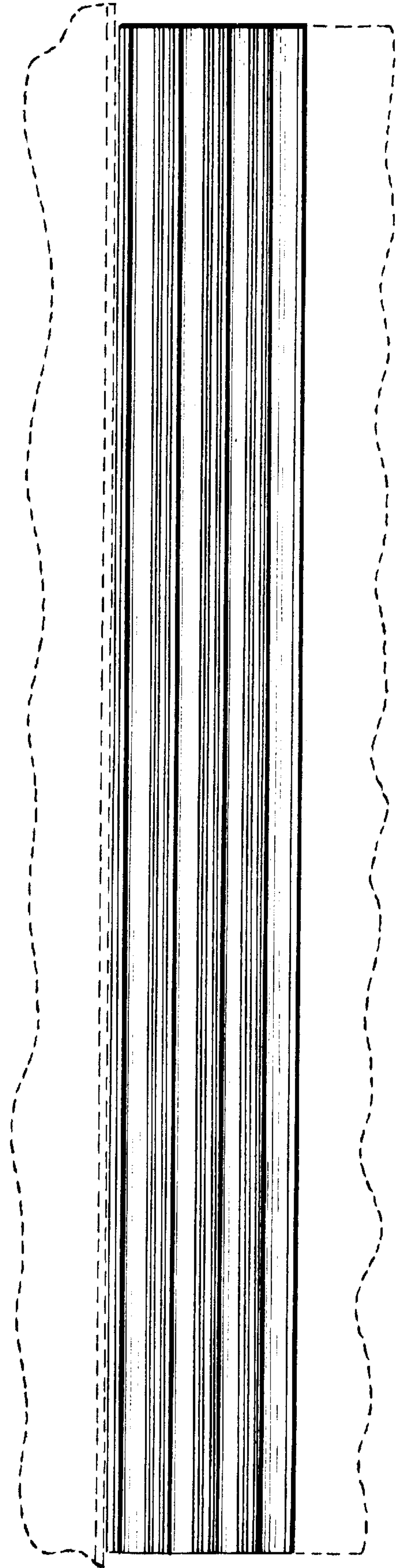


FIG.5



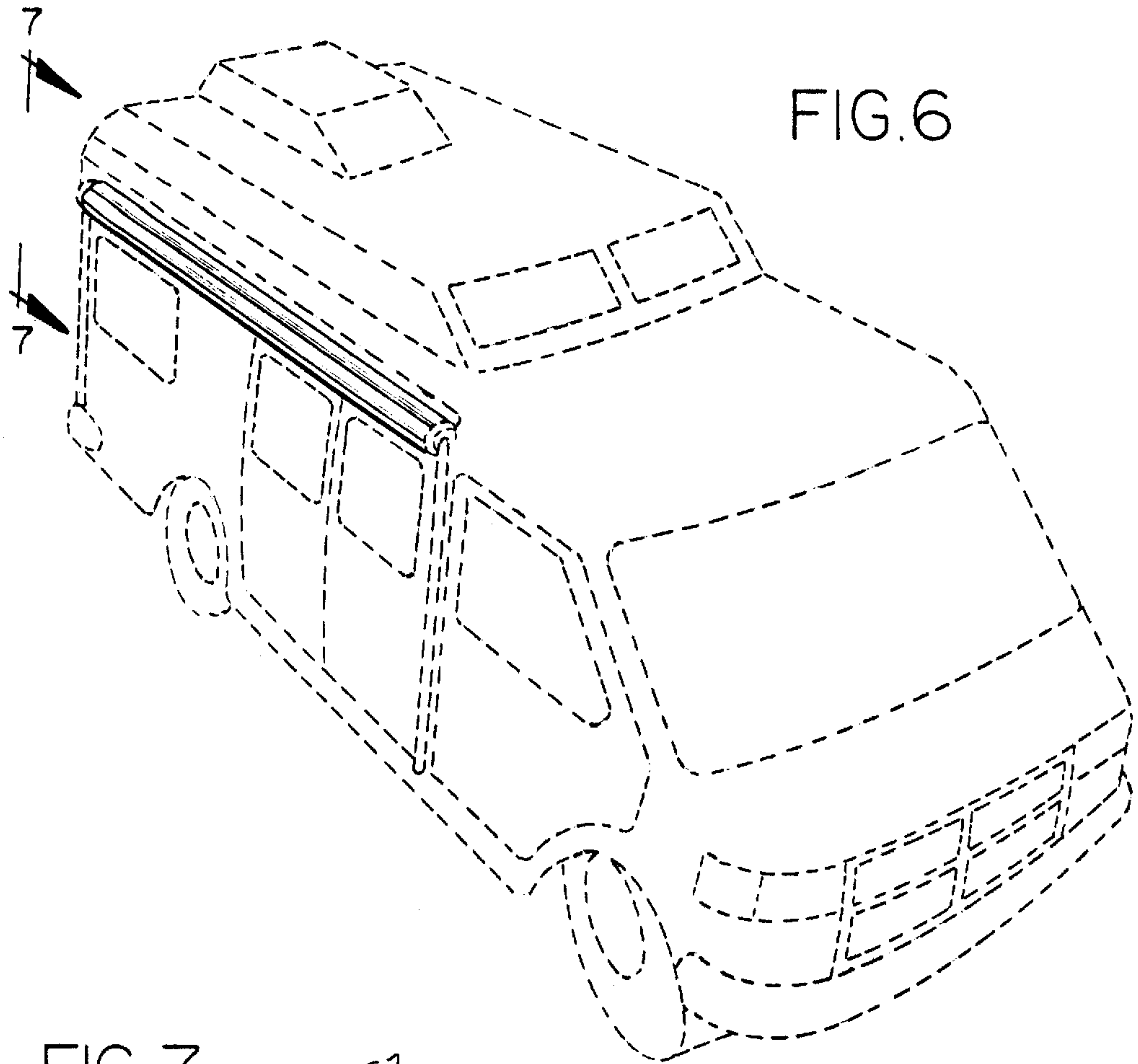


FIG. 7

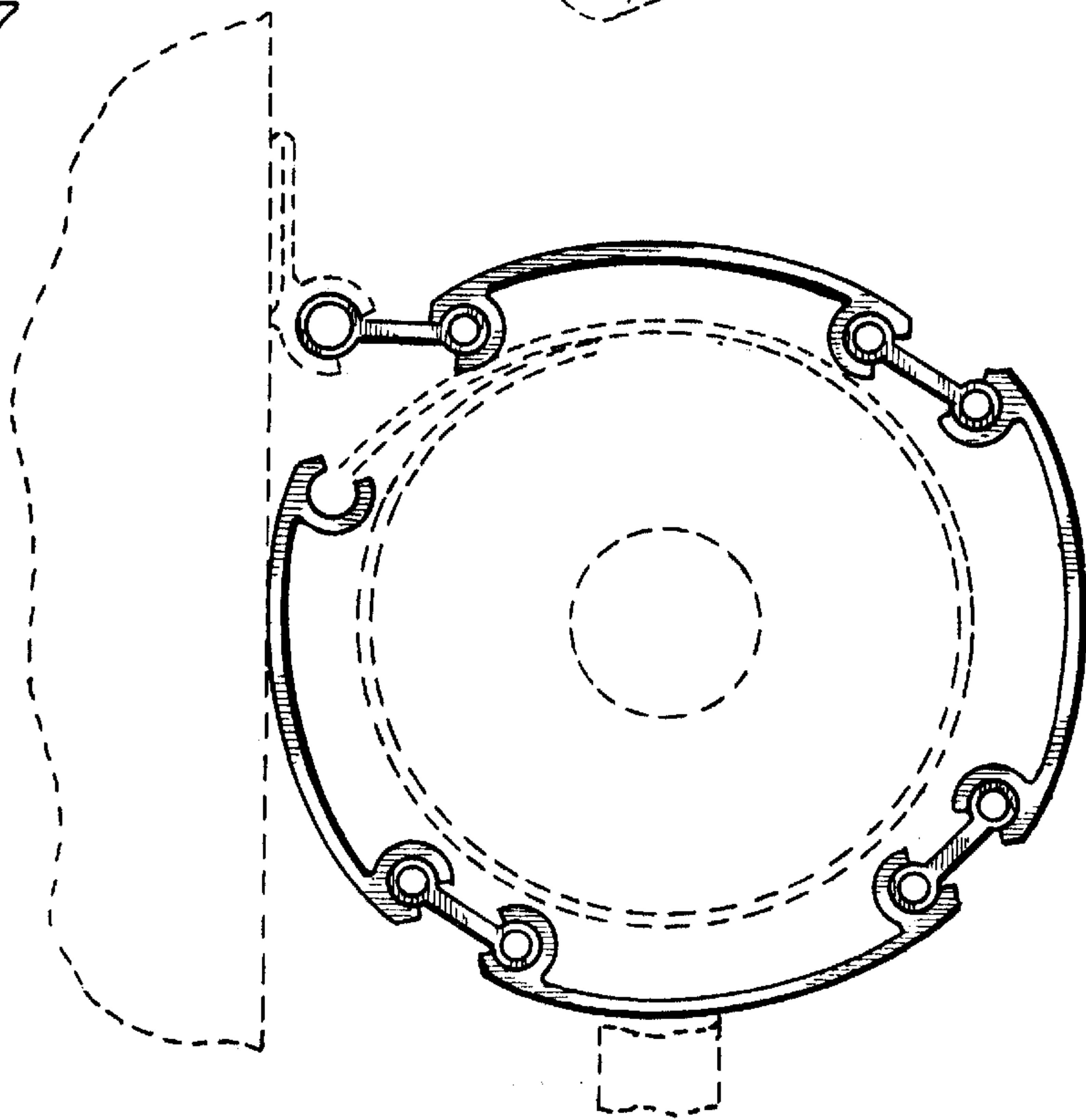


FIG.8

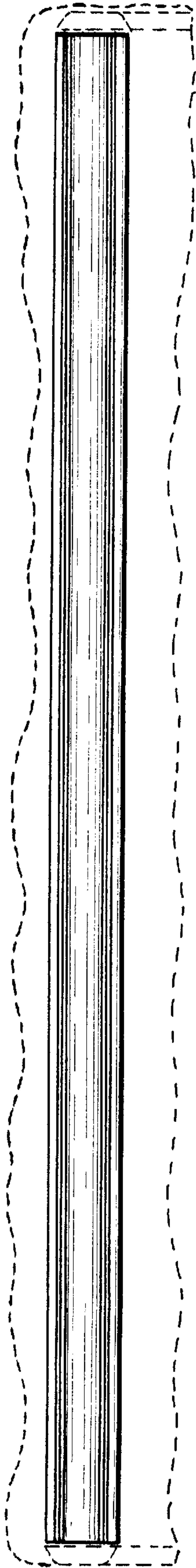


FIG.9

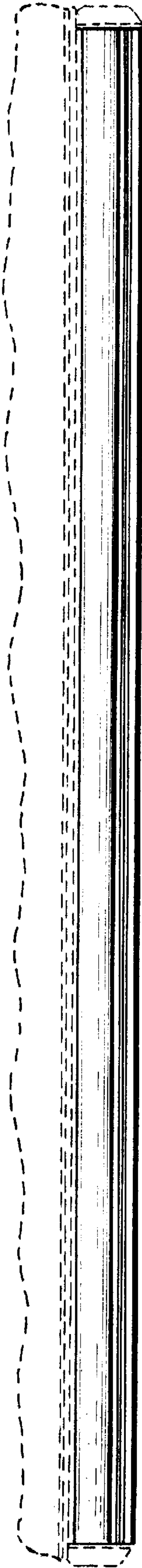


FIG.10

