



US00D409551S

# United States Patent [19] Otto

[11] **Patent Number: Des. 409,551**

[45] **Date of Patent: \*\* May 11, 1999**

[54] **MOTORCYCLE WHEEL**

OTHER PUBLICATIONS

[75] Inventor: **David Otto**, Dresser, Wis.  
[73] Assignee: **Polaris Industries Inc.**, Osceola, Wis.  
[\*\*] Term: **14 Years**

Hugo Wilson, *The Encyclopedia of the Motorcycle*, 1995, cover and pp. 8, 16, 24, 25, 31, 32, 33, 40, 42, 53, 54, 55, 65, 75, 76, 81, 92, 93, 94, 95, 114, 115, 116, 117, 120, 121, 122, 127, 131, 132, 139, 147, 157, 177, 178, 186, 187, 188, 204, 205, and 206.

[21] Appl. No.: **29/087,029**  
[22] Filed: **Apr. 24, 1998**

*Primary Examiner*—Doris V. Coles  
*Assistant Examiner*—Stacia Sinuik  
*Attorney, Agent, or Firm*—Fredrikson & Byron, P.A.

[51] **LOC (6) Cl.** ..... **12-16**  
[52] **U.S. Cl.** ..... **D12/211**  
[58] **Field of Search** ..... D12/204-213;  
301/64.1, 65, 37.1

[57] **CLAIM**  
The ornamental design for a motorcycle wheel, as shown and described.

[56] **References Cited**

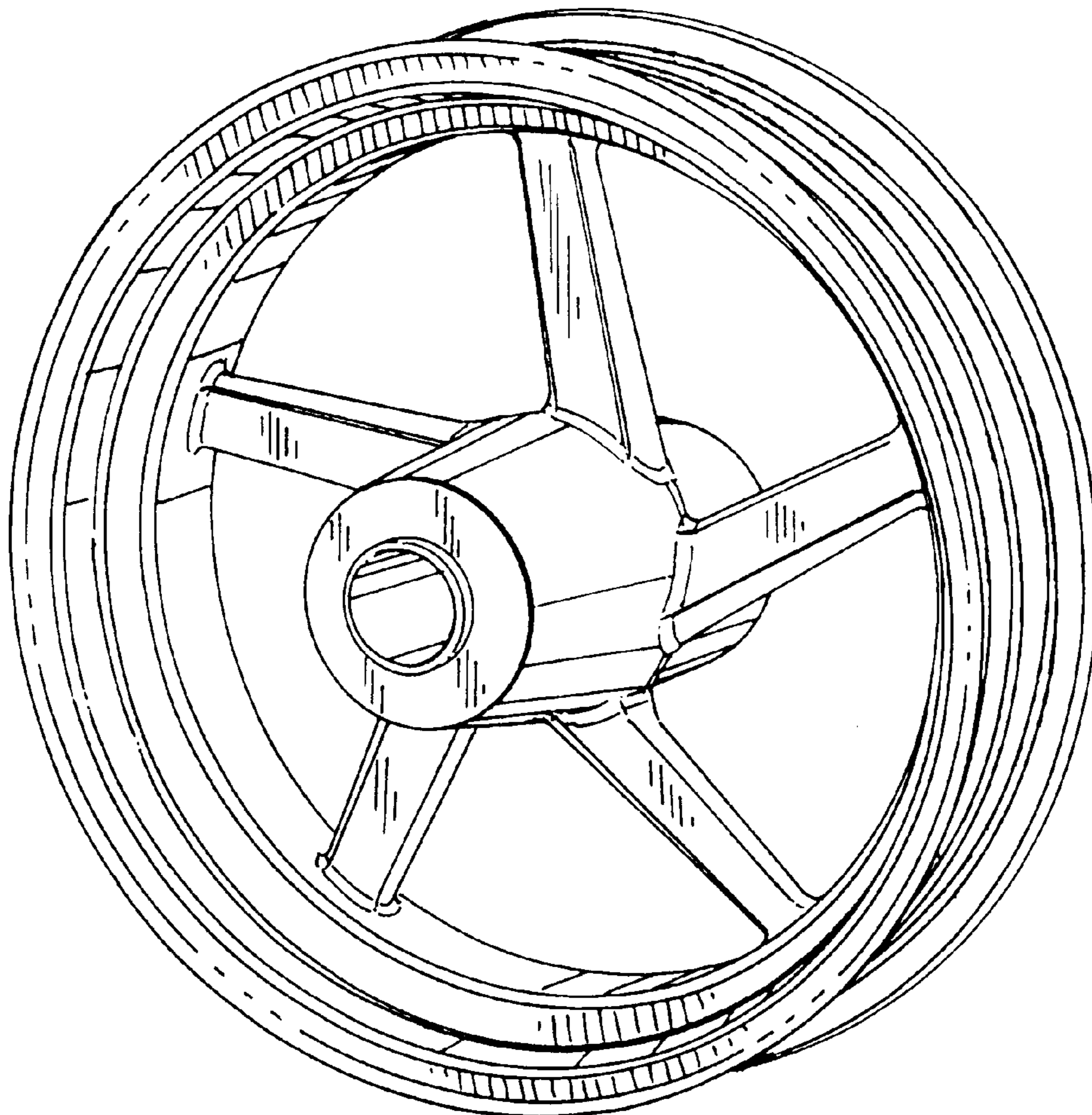
**DESCRIPTION**

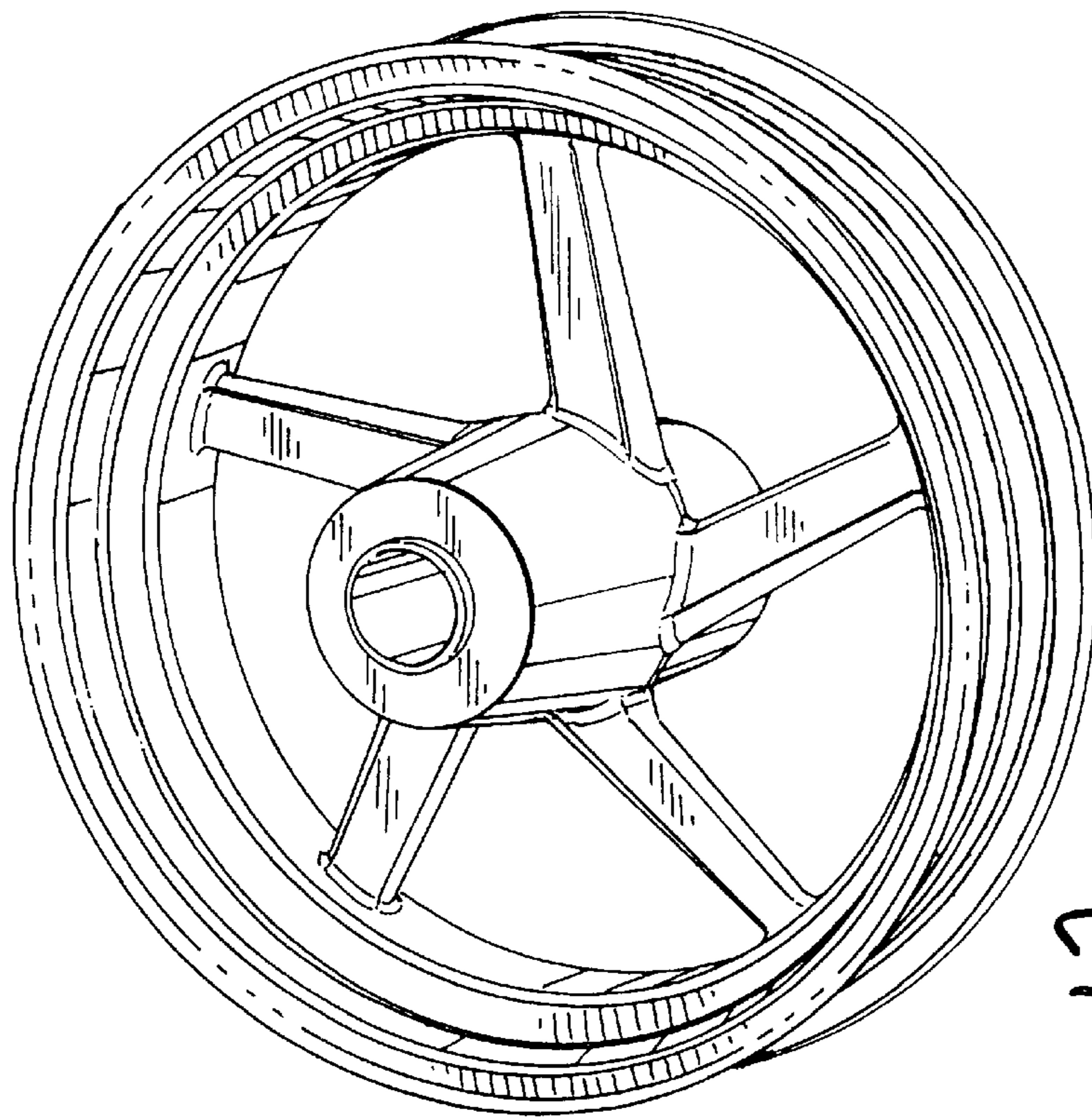
**U.S. PATENT DOCUMENTS**

D. 249,787	10/1978	Tanaka	.....	D12/205
D. 276,423	11/1984	Horikoshi	.....	D12/211
D. 279,093	6/1985	Reid	.....	D12/211
D. 336,743	6/1993	Cattaneo	.....	D12/211
D. 340,023	10/1993	Geran	.....	D12/211
D. 375,716	11/1996	Dehner	.....	D12/209
D. 378,506	3/1997	Stolz et al.	.....	D12/209
D. 388,749	1/1998	Kiser	.....	D12/211 X

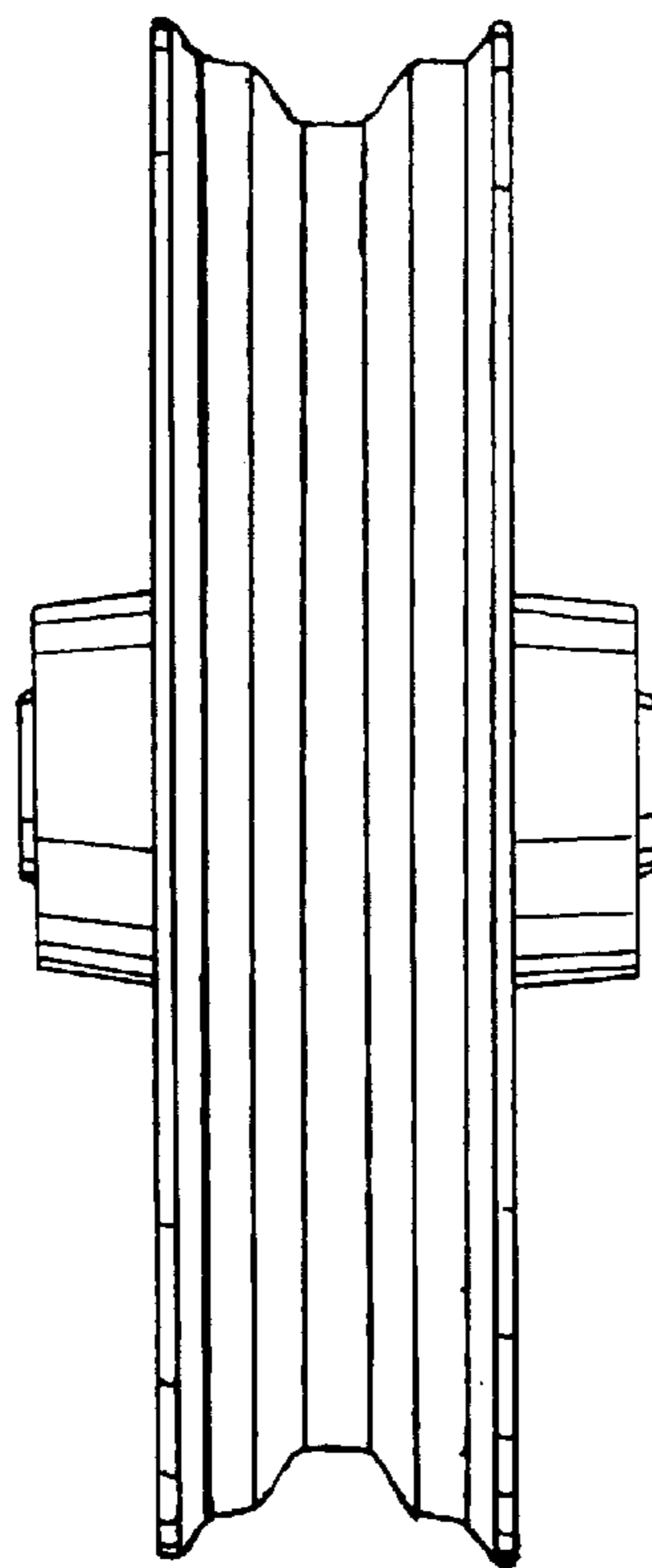
FIG. 1 is a front perspective view of a motorcycle wheel, showing my new design;  
FIG. 2 is a side view thereof, it being understood that the opposite is a mirror image thereof;  
FIG. 3 is a rear view thereof; and,  
FIG. 4 is a front view thereof.

**1 Claim, 2 Drawing Sheets**

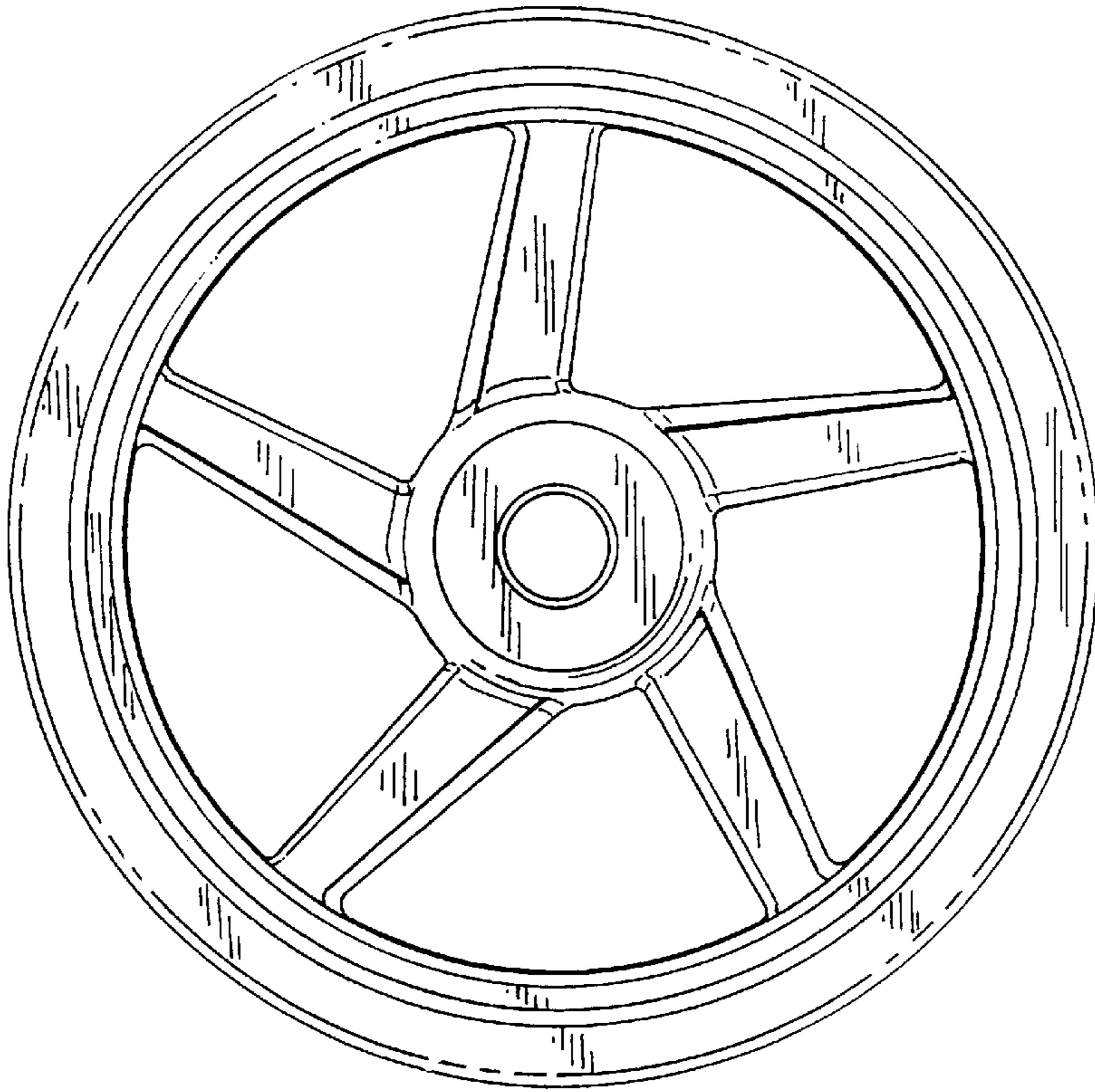




*Fig. 1*



*Fig. 2*



*Fig. 3*

*Fig. 4*

