



US00D409548S

United States Patent [19] Chung

[11] **Patent Number: Des. 409,548**

[45] **Date of Patent: ** May 11, 1999**

[54] **AUTOMOTIVE WHEEL**

[75] Inventor: **Suny Chung**, Placentia, Calif.

[73] Assignee: **DM Tech America, Inc.**, Cerritos, Calif.

[**] Term: **14 Years**

[21] Appl. No.: **29/095,887**

[22] Filed: **Nov. 2, 1998**

[51] **LOC (6) Cl.** **12-16**

[52] **U.S. Cl.** **D12/209**

[58] **Field of Search** D12/204-213;
301/64.1, 65, 37.1

[56] **References Cited**

U.S. PATENT DOCUMENTS

- D. 363,910 11/1995 Chung D12/209
- D. 384,634 10/1997 Cullen D12/211
- D. 388,045 12/1997 Sakagami et al. D12/209

- D. 388,046 12/1997 Roesianto D12/209
- D. 393,825 4/1998 Fike D12/209
- D. 398,275 9/1998 Neeper D12/209
- D. 399,180 10/1998 Neeper D12/209
- D. 402,612 12/1998 Nishida D12/209

Primary Examiner—Doris V. Coles
Assistant Examiner—Stacia Sinuik
Attorney, Agent, or Firm—G. Donald Weber, Jr.

[57] **CLAIM**

The ornamental design for an automotive wheel, as shown and described.

DESCRIPTION

FIG. 1 is a oblique view of the automotive wheel of the instant invention; and, FIG. 2 is a plan view of the automotive wheel of the instant invention.

The broken line showing of environment is for illustrative purposes only and forms no part of the claimed design.

1 Claim, 1 Drawing Sheet

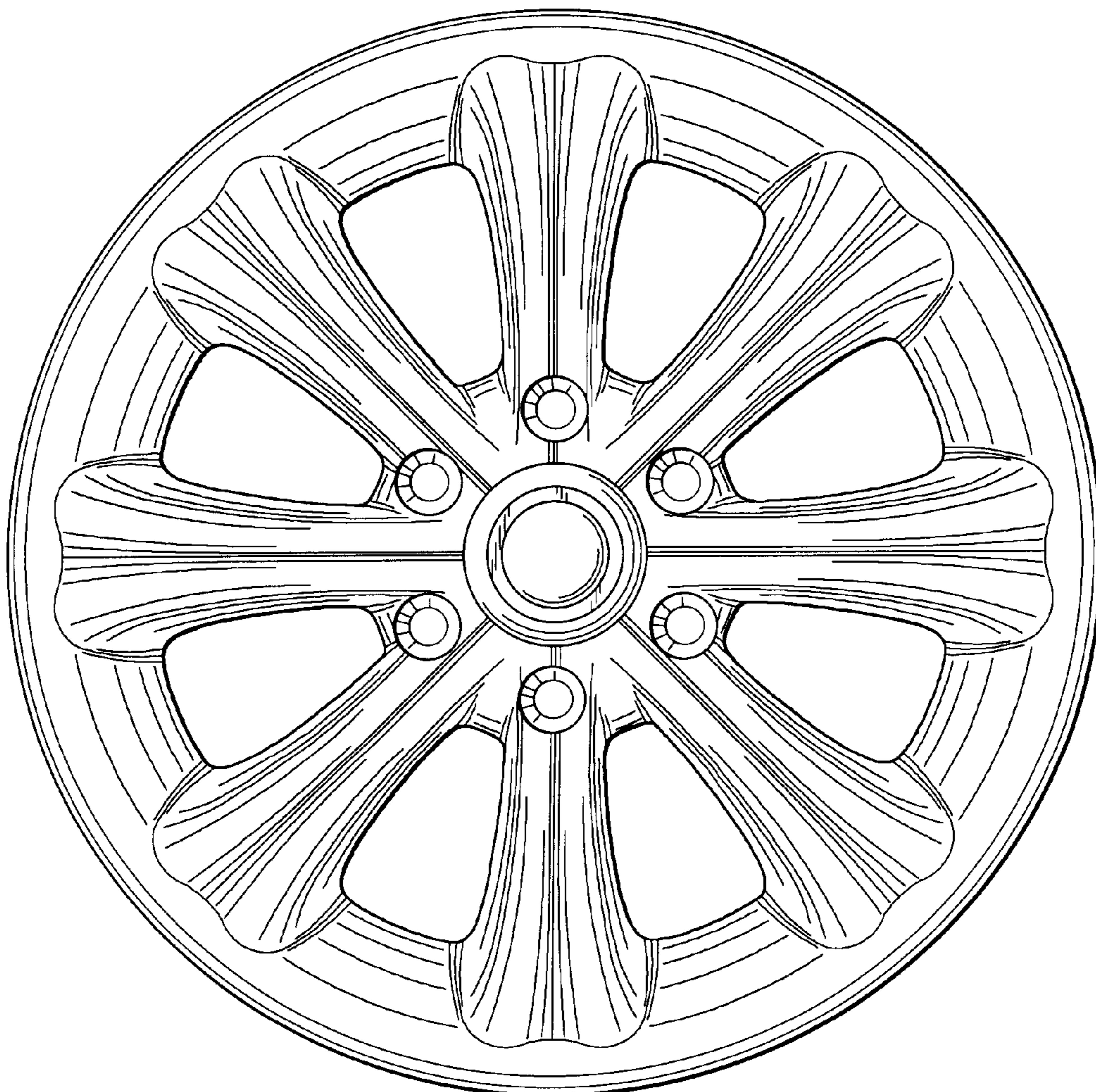


FIG. 1

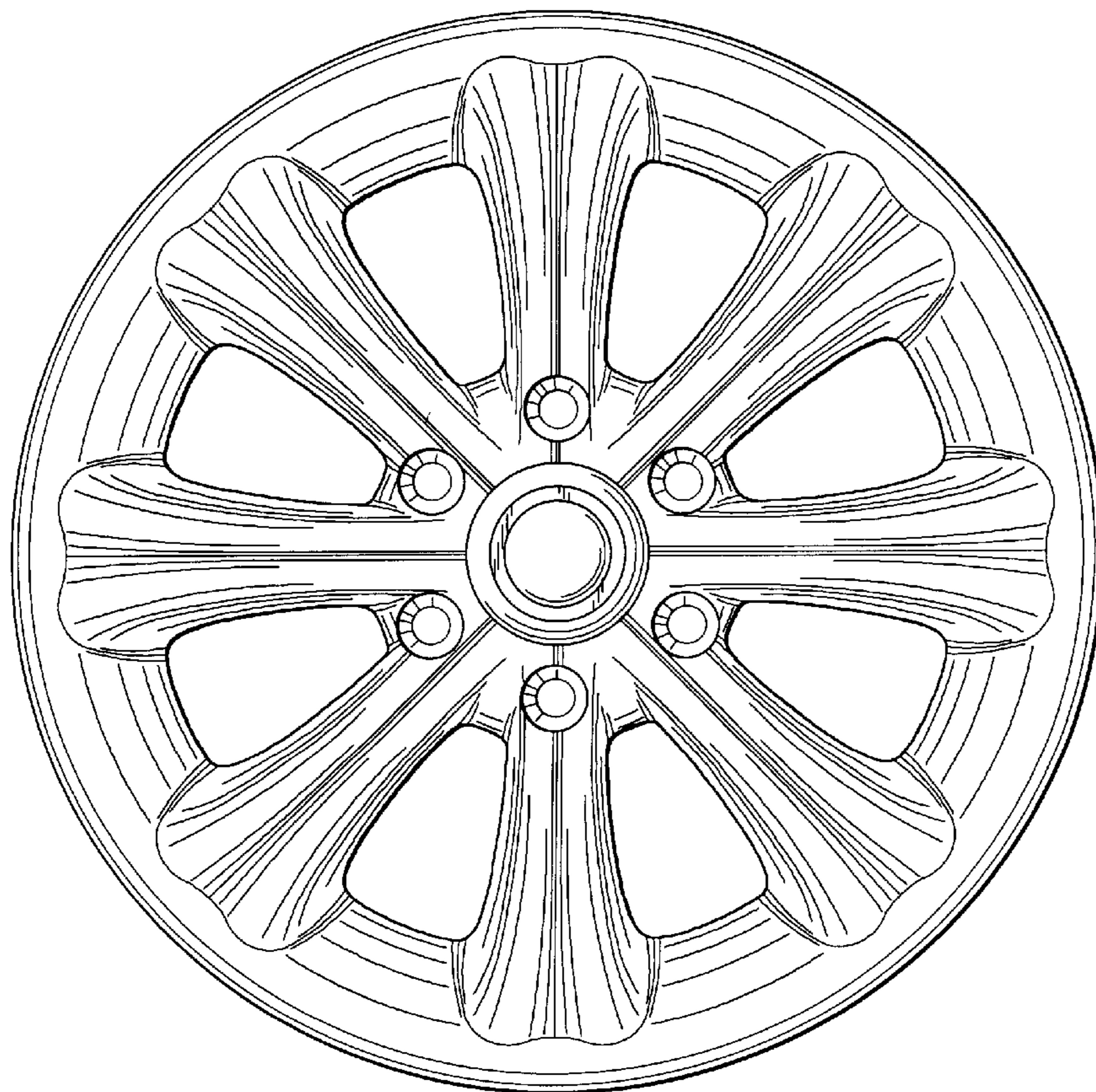
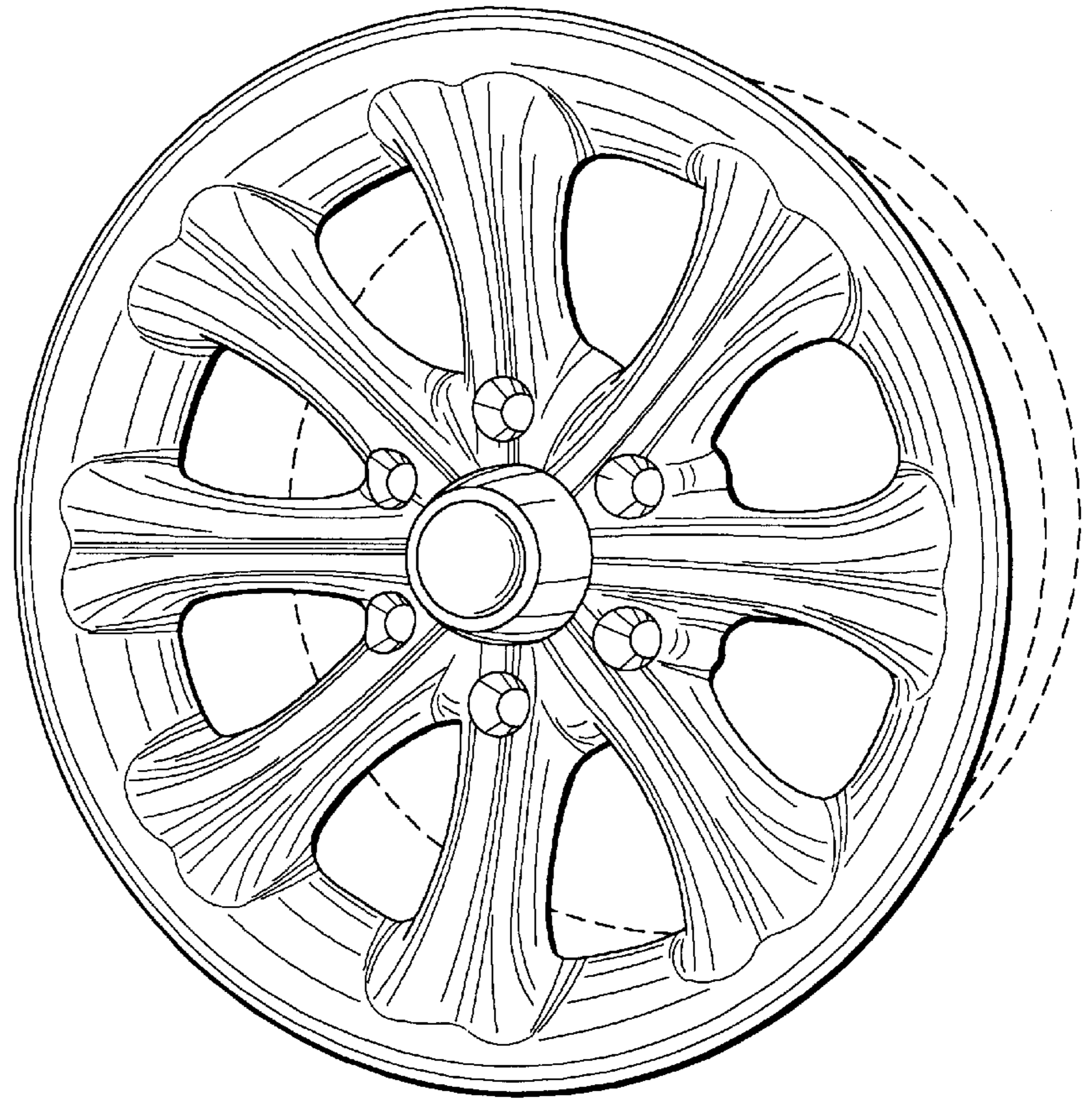


FIG. 2