



US00D409547S

United States Patent [19]
Chung

[11] **Patent Number: Des. 409,547**

[45] **Date of Patent: ** May 11, 1999**

[54] **AUTOMOTIVE WHEEL**

[75] **Inventor: Suny Chung**, Placentia, Calif.

[73] **Assignee: DM Tech America, Inc.**, Cerritos, Calif.

[**] **Term: 14 Years**

[21] **Appl. No.: 29/094,842**

[22] **Filed: Oct. 13, 1998**

[51] **LOC (6) Cl. 12-16**

[52] **U.S. Cl. D12/209**

[58] **Field of Search D12/204-213;**
301/64.1, 65, 37.1

D. 395,862	7/1998	Cullen	D12/209
D. 396,442	7/1998	Hale, Jr.	D12/209
D. 396,443	7/1998	Neeper	D12/209
D. 396,444	7/1998	Neeper	D12/209
D. 398,276	9/1998	Neeper	D12/209
D. 399,811	10/1998	Echazabal	D12/209

Primary Examiner—Doris V. Coles
Assistant Examiner—Stacia Sinuik
Attorney, Agent, or Firm—G. Donald Weber, Jr.

[57] **CLAIM**

The ornamental design for an automotive wheel, as shown and described.

DESCRIPTION

FIG. 1 is an oblique view of the automotive wheel of the instant invention; and, FIG. 2 is a plan view of the automotive wheel of the instant invention.

The broken line showing of environment is for illustrative purposes only and forms no part of the claimed design.

[56] **References Cited**

U.S. PATENT DOCUMENTS

D. 366,641	1/1996	Neeper	D12/209
D. 385,246	10/1997	Neeper	D12/209
D. 390,822	2/1998	Neeper	D12/209
D. 393,442	4/1998	Noriega	D12/209

1 Claim, 1 Drawing Sheet

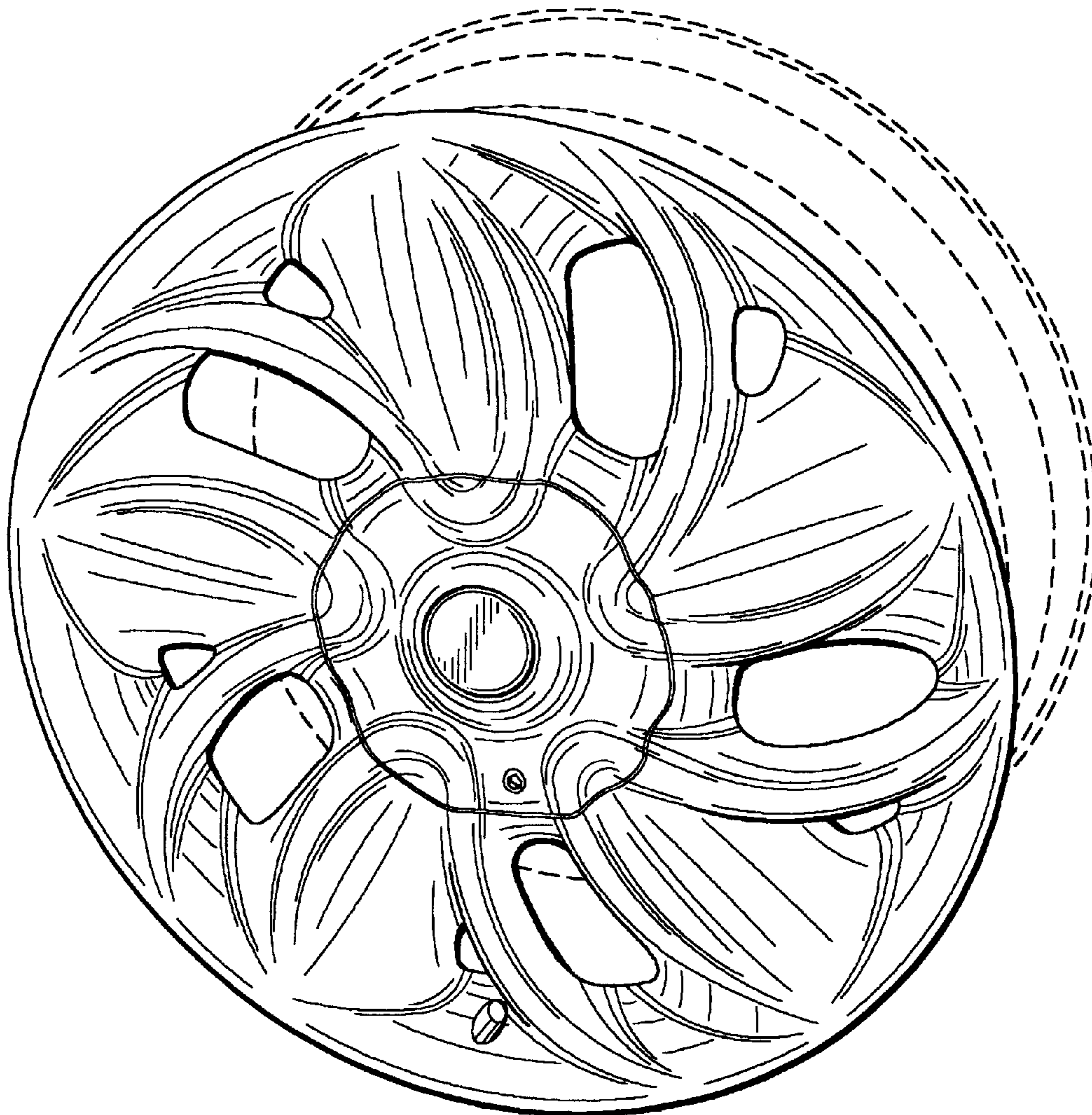


FIG. 1

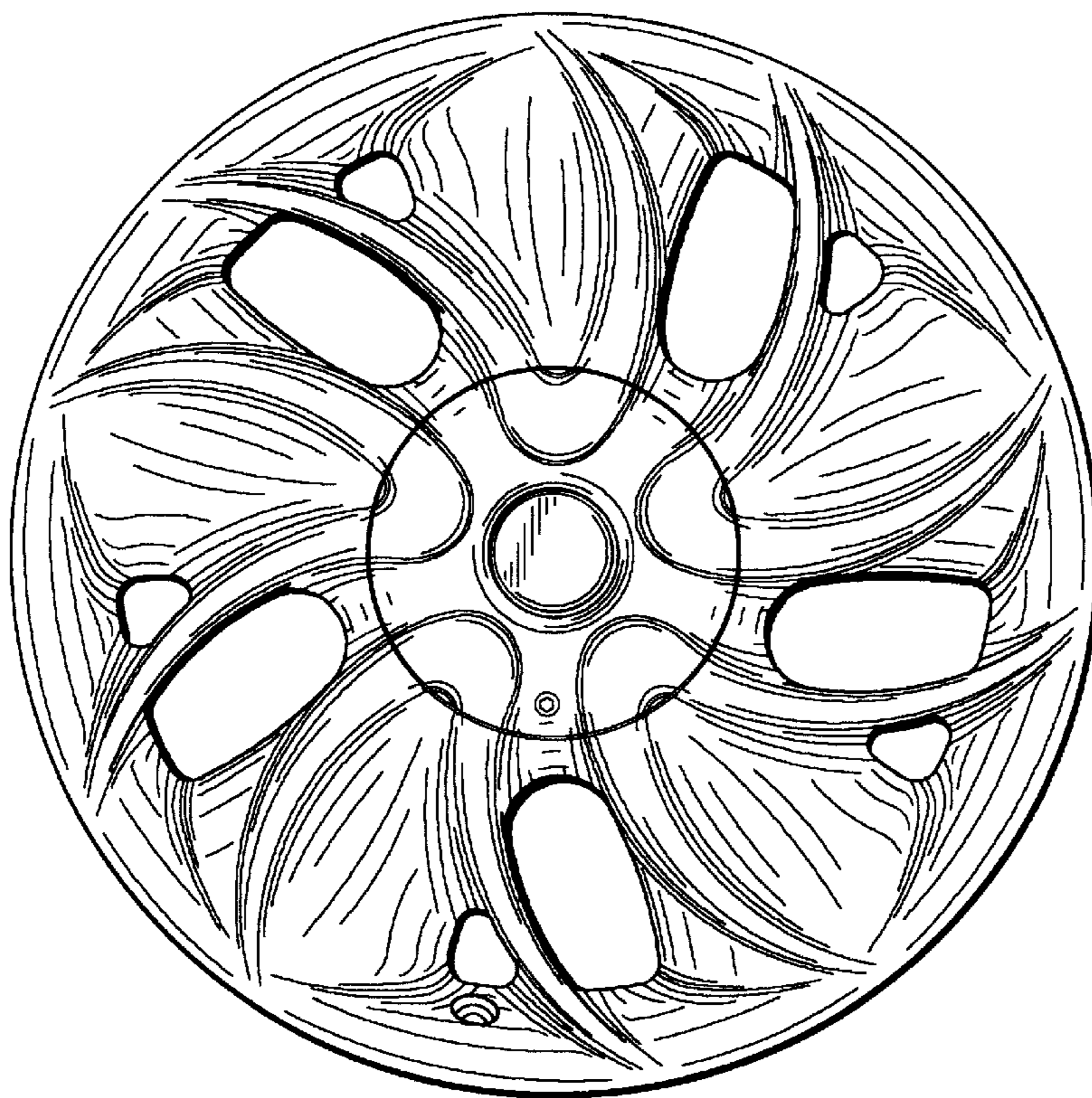
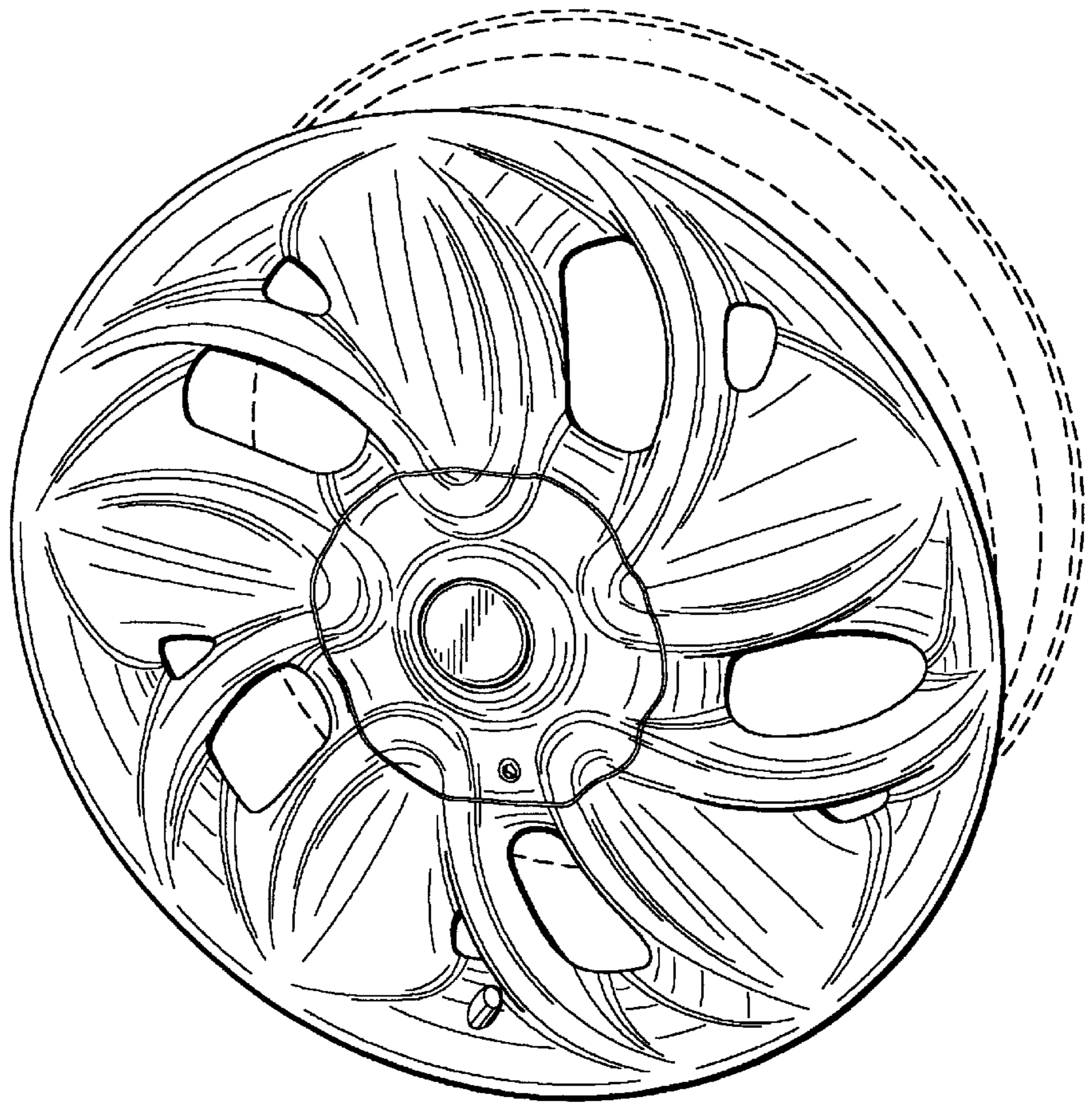


FIG. 2

UNITED STATES PATENT AND TRADEMARK OFFICE
CERTIFICATE OF CORRECTION

PATENT NO. : D 409,547
DATED : May 11, 1999
INVENTOR(S) : Suny Chung

Page 1 of 3

It is certified that error appears in the above-identified patent and that said Letters Patent is hereby corrected as shown below:

The title page, showing the illustrative figure, should be deleted and substitute therefor the attached title page.

Drawing sheet, consisting of Fig. 1, should be deleted to be replaced with the drawing sheet, consisting of Fig. 1, as shown on the attached page.

Signed and Sealed this
Fifteenth Day of February, 2000

Attest:



Q. TODD DICKINSON

Attesting Officer

Commissioner of Patents and Trademarks

United States Patent [19]
Chung

[11] Patent Number: **Des. 409,547**

[45] Date of Patent: **** May 11, 1999**

[54] **AUTOMOTIVE WHEEL**

[75] Inventor: **Suny Chung, Placentia, Calif.**

[73] Assignee: **DM Tech America, Inc., Cerritos, Calif.**

[**] Term: **14 Years**

[21] Appl. No.: **29/094,842**

[22] Filed: **Oct. 13, 1998**

[51] LOC (6) CL **12-16**

[52] U.S. Cl. **D12/209**

[58] Field of Search **D12/204-213;**
301/64.1, 65, 37.1

[56] **References Cited**

U.S. PATENT DOCUMENTS

D. 366,641	1/1996	Neeper	D12/209
D. 385,246	10/1997	Neeper	D12/209
D. 390,822	2/1998	Neeper	D12/209
D. 393,442	4/1998	Noniega	D12/209

D. 395,862	7/1998	Cullen	D12/209
D. 396,442	7/1998	Hale, Jr.	D12/209
D. 396,443	7/1998	Neeper	D12/209
D. 396,444	7/1998	Neeper	D12/209
D. 398,276	9/1998	Neeper	D12/209
D. 399,811	10/1998	Echazabal	D12/209

Primary Examiner—Doris V. Coles
Assistant Examiner—Stacia Sinuik
Attorney, Agent, or Firm—G. Donald Weber, Jr.

[57] **CLAIM**

The ornamental design for an automotive wheel, as shown and described.

DESCRIPTION

FIG. 1 is an oblique view of the automotive wheel of the instant invention; and,

FIG. 2 is a plan view of the automotive wheel of the instant invention.

The broken line showing of environment is for illustrative purposes only and forms no part of the claimed design.

1 Claim, 1 Drawing Sheet

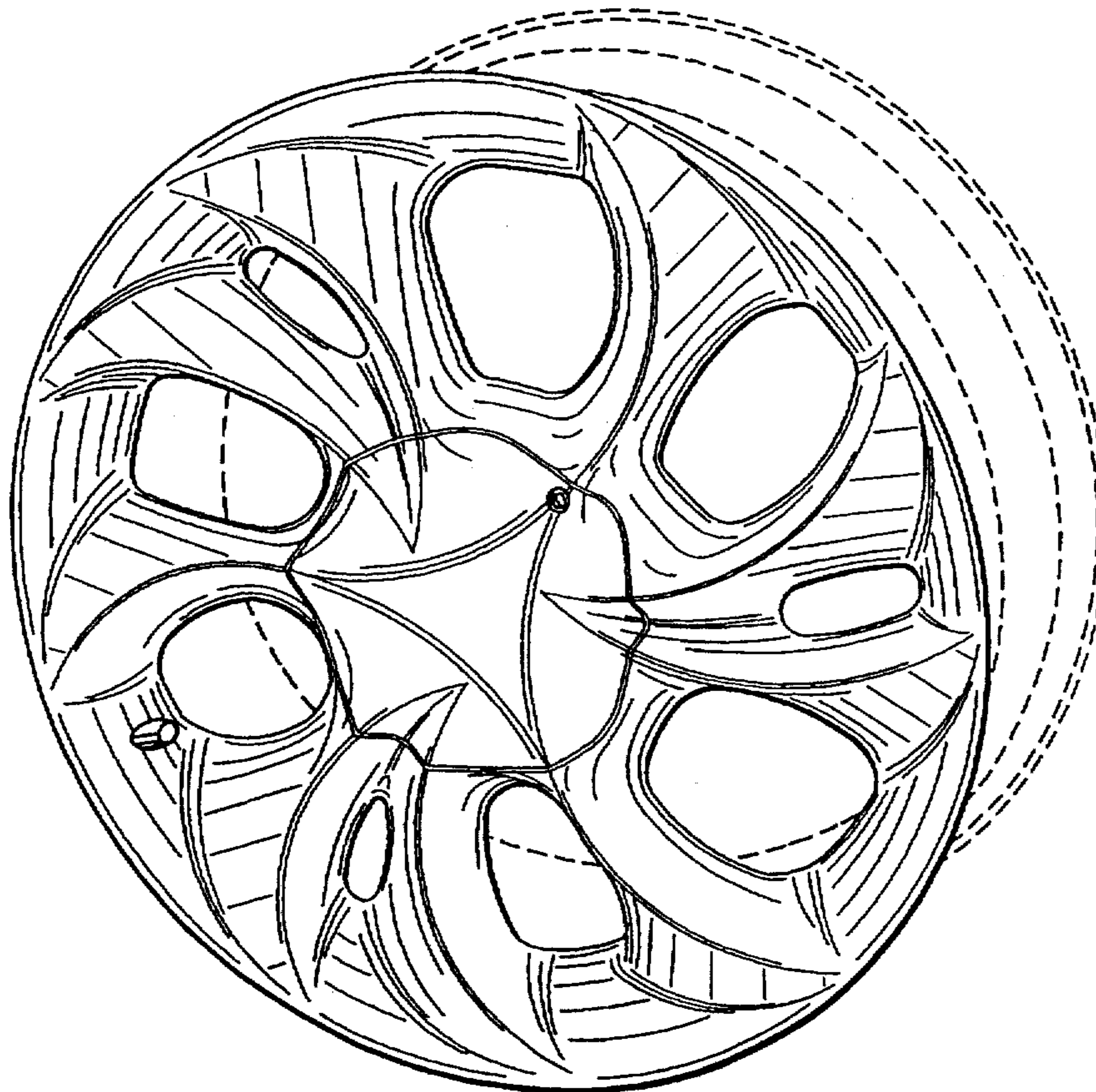


FIG. 1

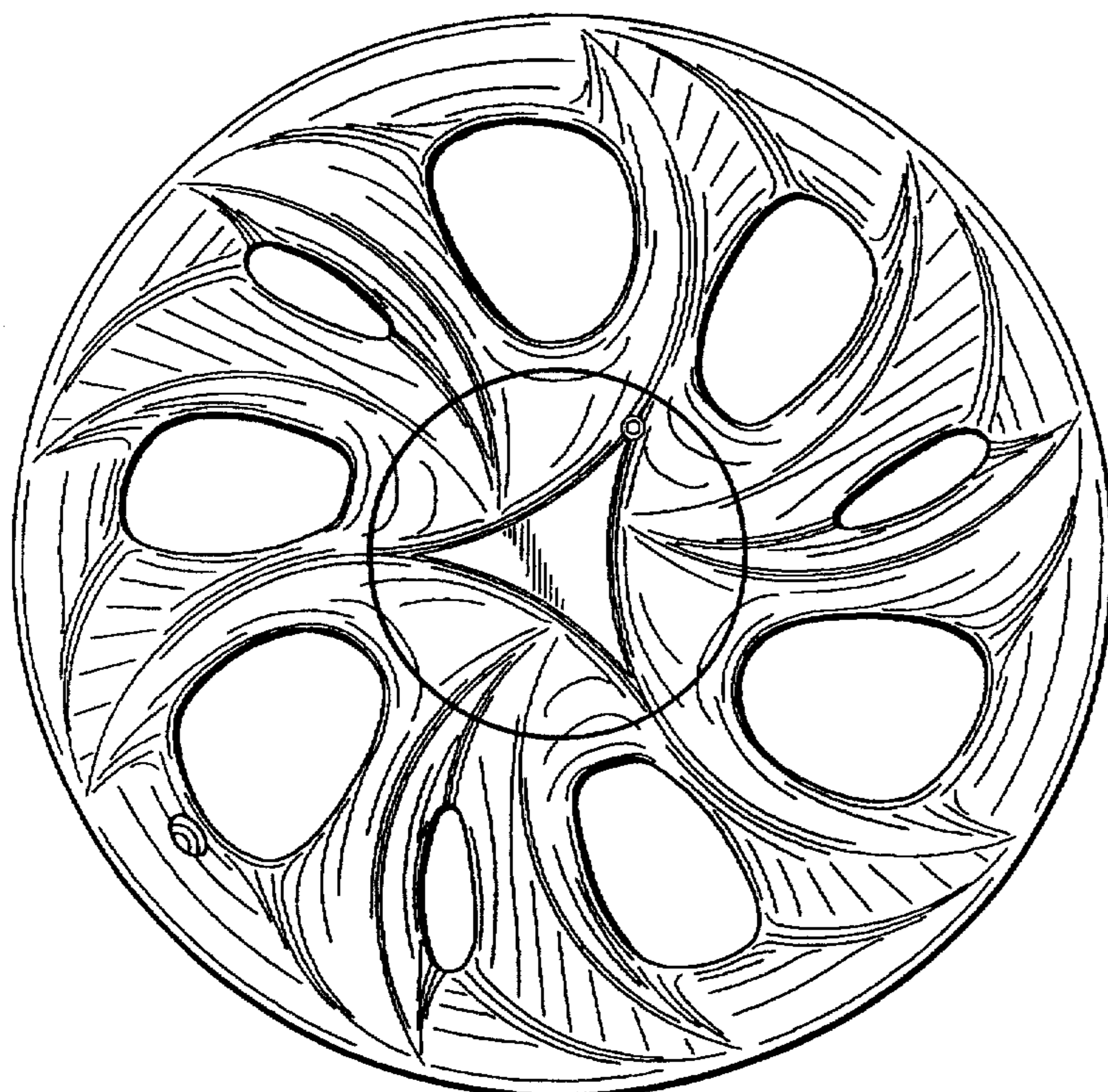
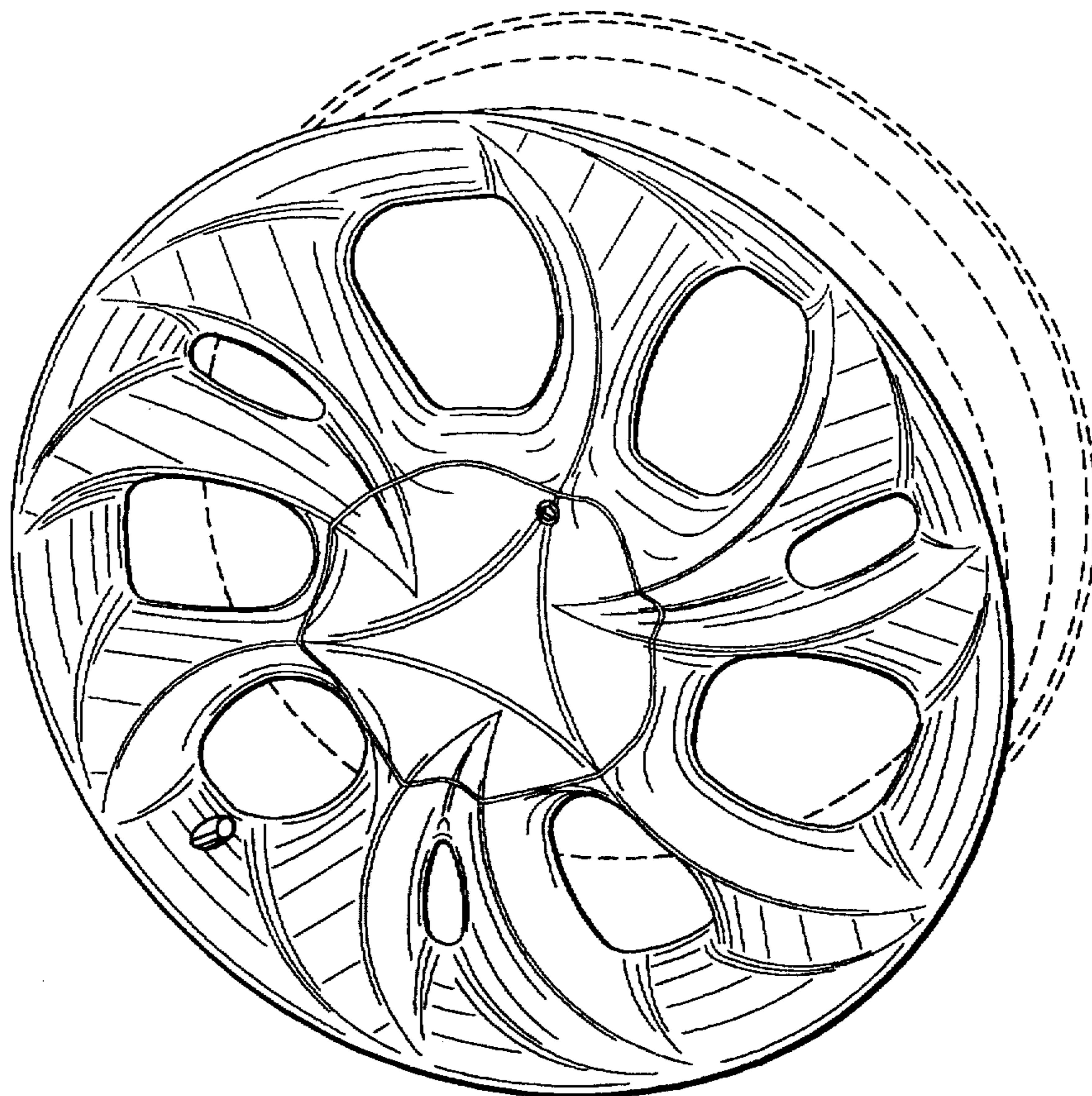


FIG. 2