



US00D409538S

United States Patent [19]

Isetani et al.

[11] Patent Number: **Des. 409,538**

[45] Date of Patent: **** May 11, 1999**

[54] **STEERING WHEEL**

4,945,786 8/1990 Goto 74/552
5,031,429 7/1991 Wang 74/552

[75] Inventors: **Yoshitsugu Isetani; Yuji Tamura; Koichi Nishio**, all of Kobe, Japan

OTHER PUBLICATIONS

“Popular Science” Jul. 1997, p. 46.

[73] Assignee: **Konami Co., Ltd.**, Hyogo-ken, Japan

Primary Examiner—Melody N. Brown
Attorney, Agent, or Firm—Jordan and Hamburg LLP

[**] Term: **14 Years**

[21] Appl. No.: **29/084,062**

[57] CLAIM

[22] Filed: **Feb. 24, 1998**

The ornamental design for a steering wheel, as shown and described.

[30] Foreign Application Priority Data

DESCRIPTION

Aug. 29, 1997 [JP] Japan 9-66195 (D)

FIG. 1 is a perspective view of a steering wheel;
FIG. 2 is a front view of the steering wheel;
FIG. 3 is a rear view of the steering wheel;
FIG. 4 is a top view of the steering wheel;
FIG. 5 is a bottom view of the steering wheel;
FIG. 6 is a right side view of the steering wheel;
FIG. 7 is a left side view of the steering wheel; and,
FIG. 8 is a sectional view taken along the line VIII—VIII in FIG. 2.

[51] **LOC (6) Cl.** **12-16**

[52] **U.S. Cl.** **D12/176**

[58] **Field of Search** D12/176, 175;
74/552

[56] References Cited

U.S. PATENT DOCUMENTS

D. 327,243 6/1992 Cattaneo D12/176
D. 392,607 3/1998 Cattaneo D12/176

1 Claim, 4 Drawing Sheets

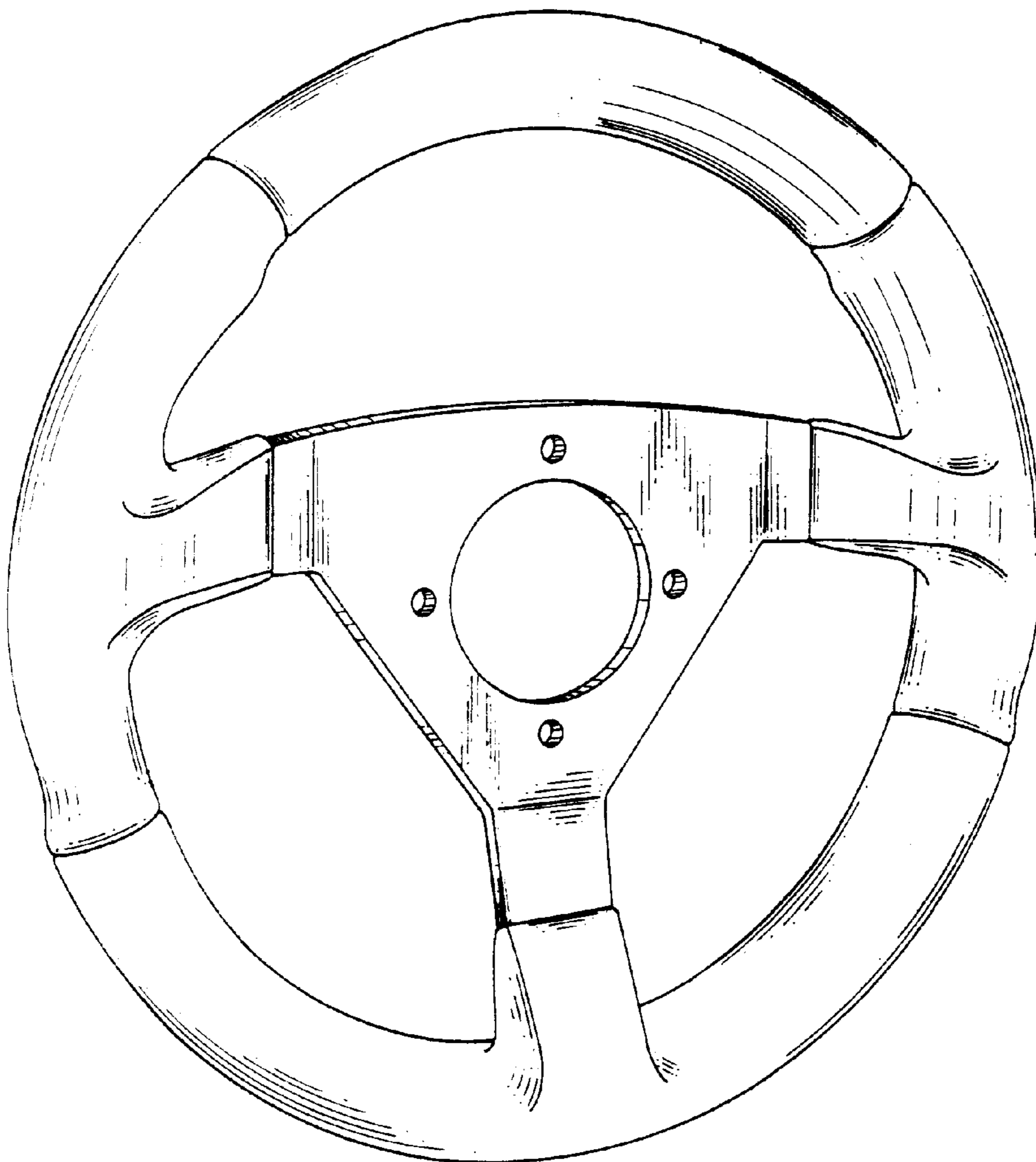


FIG. 1

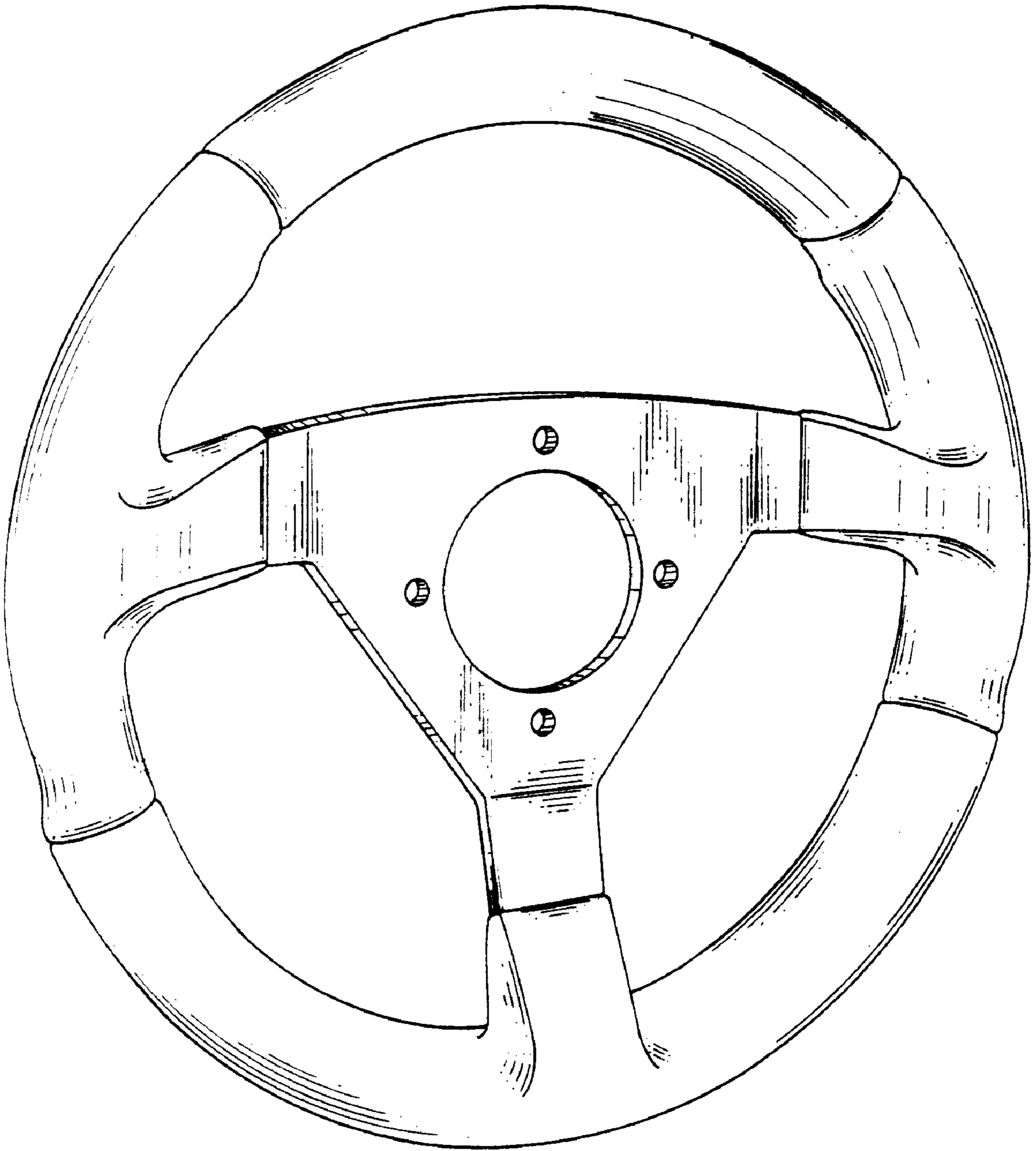


FIG. 2

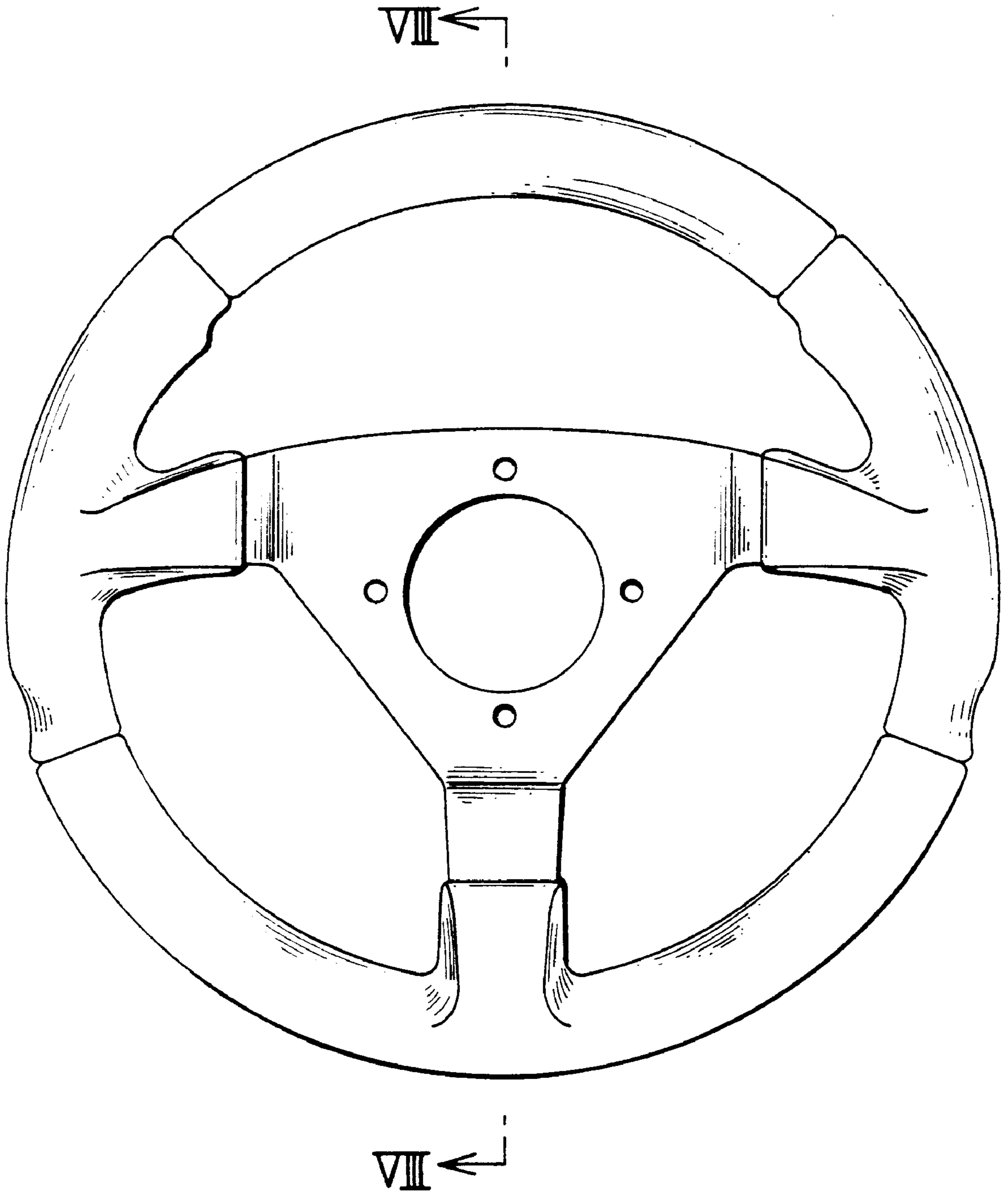


FIG. 3

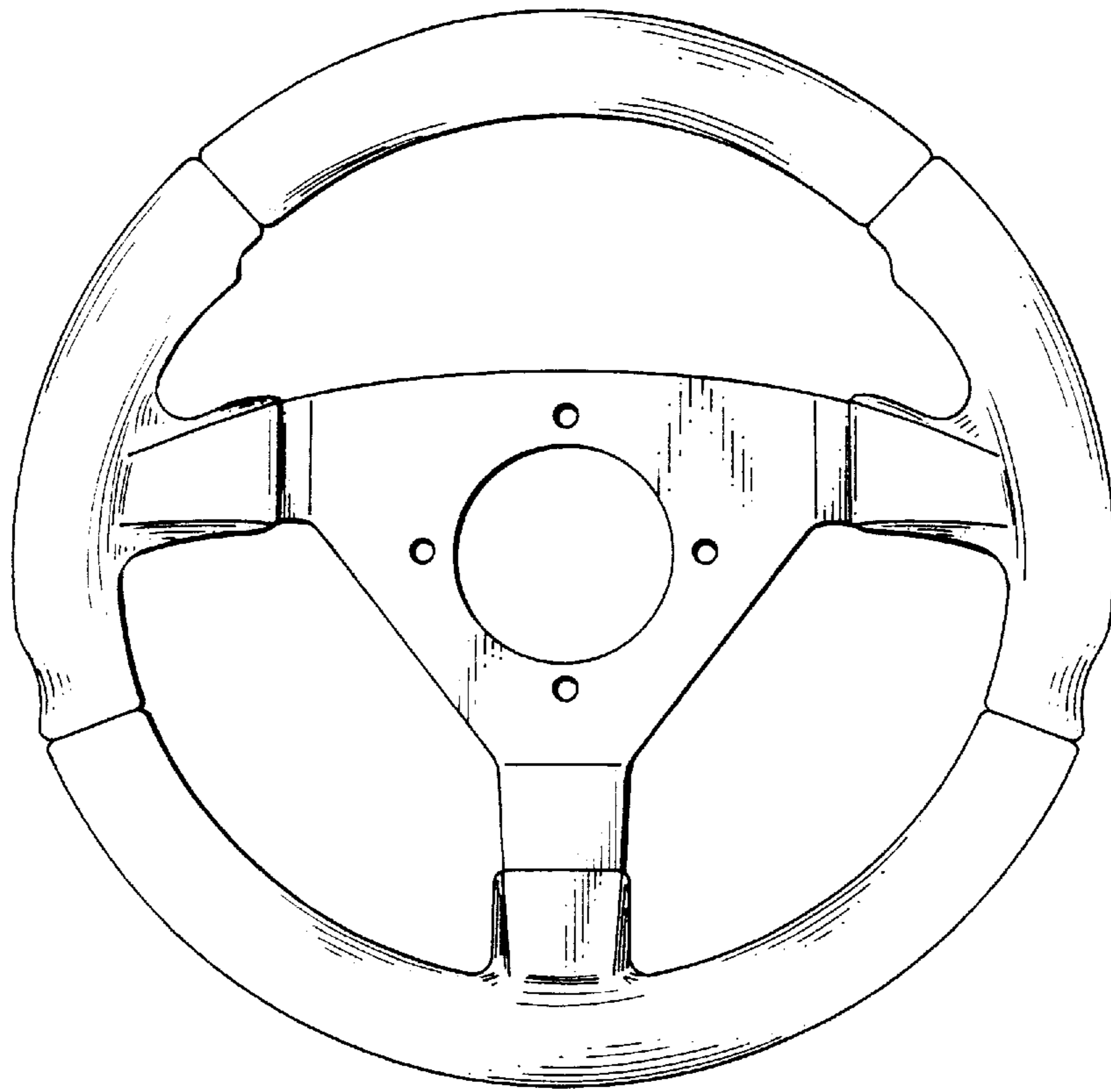


FIG. 4

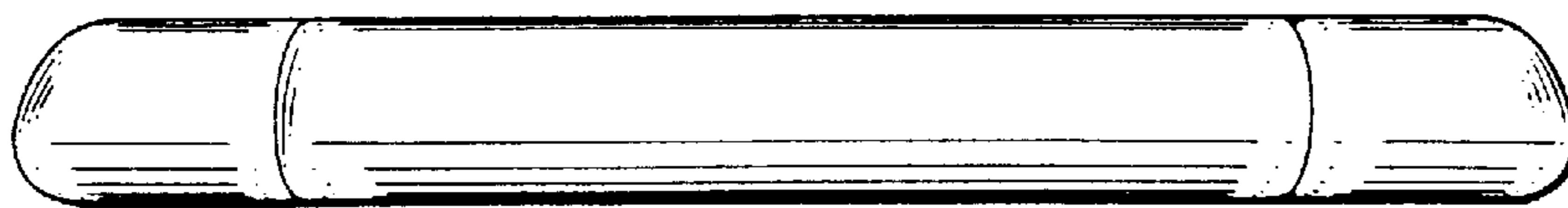


FIG. 5

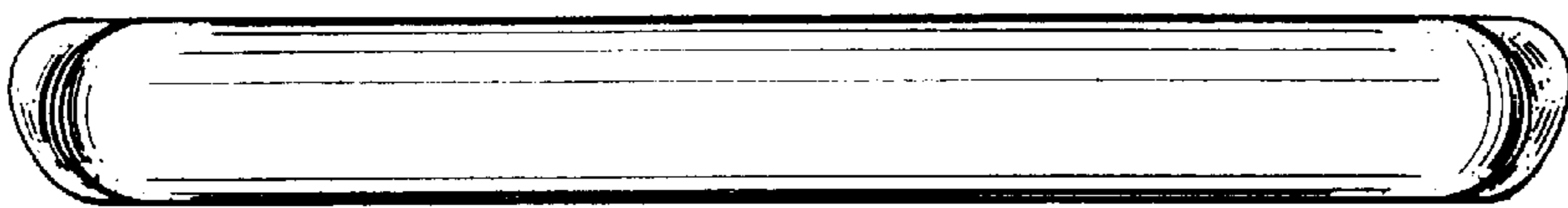


FIG. 6

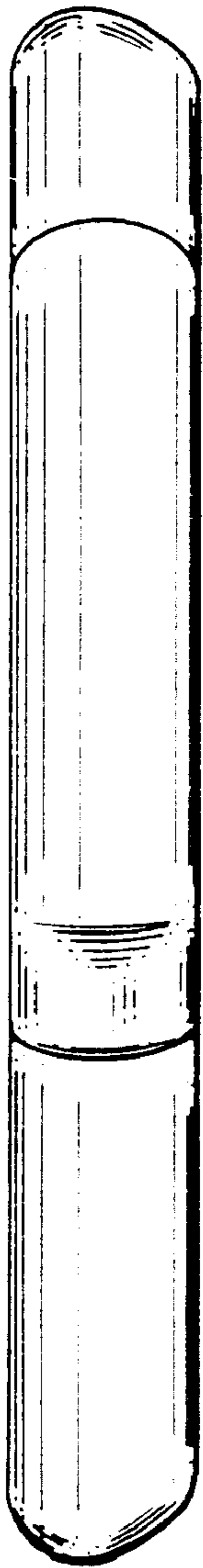


FIG. 7

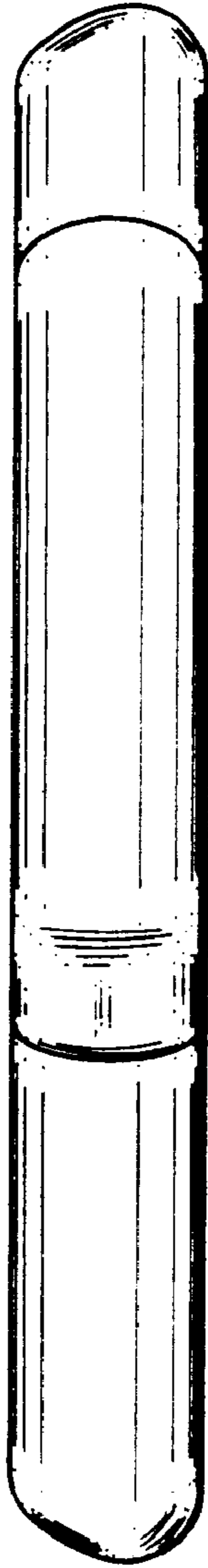


FIG. 8

