



US00D409533S

United States Patent [19] Graas

[11] **Patent Number: Des. 409,533**

[45] **Date of Patent: ** May 11, 1999**

[54] **TIRE TREAD**

[75] Inventor: **Maurice Graas**, Reichlange,
Luxembourg

[73] Assignee: **The Goodyear Tire & Rubber
Company**, Akron, Ohio

[**] Term: **14 Years**

[21] Appl. No.: **29/085,072**

[22] Filed: **Mar. 15, 1998**

[51] **LOC (6) Cl.** **12-15**

[52] **U.S. Cl.** **D12/147**

[58] **Field of Search** D12/136, 138,
D12/140-152; 152/209 RR, 209 NS, 209 AS,
209 AG, 209 BY, 209 LG, 209 RB, 209 DP

[56] **References Cited**

U.S. PATENT DOCUMENTS

D. 279,365	6/1985	Takehara	D12/147
D. 294,812	3/1988	Takeuchi	D12/146
D. 334,360	3/1993	Graas et al.	D12/146
D. 338,179	8/1993	Miller et al.	D12/147
D. 339,777	9/1993	Tsuda et al.	D12/147
D. 339,778	9/1993	Himuro et al.	D12/147
D. 349,672	8/1994	Seimiya et al.	D12/147
D. 364,367	11/1995	Klepper et al.	D12/146
D. 379,790	6/1997	Guspodin et al.	D12/147
D. 383,422	9/1997	Kunos et al.	D12/147
D. 400,137	10/1998	Heinen et al.	D12/147

OTHER PUBLICATIONS

Atlas (Canada) Pinnacle Tire, 1996 Tread Design Guide, p. 9, Feb. 1996.

Avon CR45 Winter Tire, 1996 Tread Design Guide, p. 10, Feb. 1996.

Co-op Pacemark SR Tire, 1996 Tread Design Guide, p. 17, Feb. 1996.

Remington XT120 ZR4 Tire, 1996 Tread Design Guide, p. 60, Feb. 1996.

Primary Examiner—Robert M. Spear

Attorney, Agent, or Firm—T P Lewandowski

[57] **CLAIM**

The ornamental design for a tire tread, as shown and described.

DESCRIPTION

FIG. 1 is a perspective view of a tire tread showing our new design, it being understood that the pattern repeats uniformly throughout the circumference of the tread;

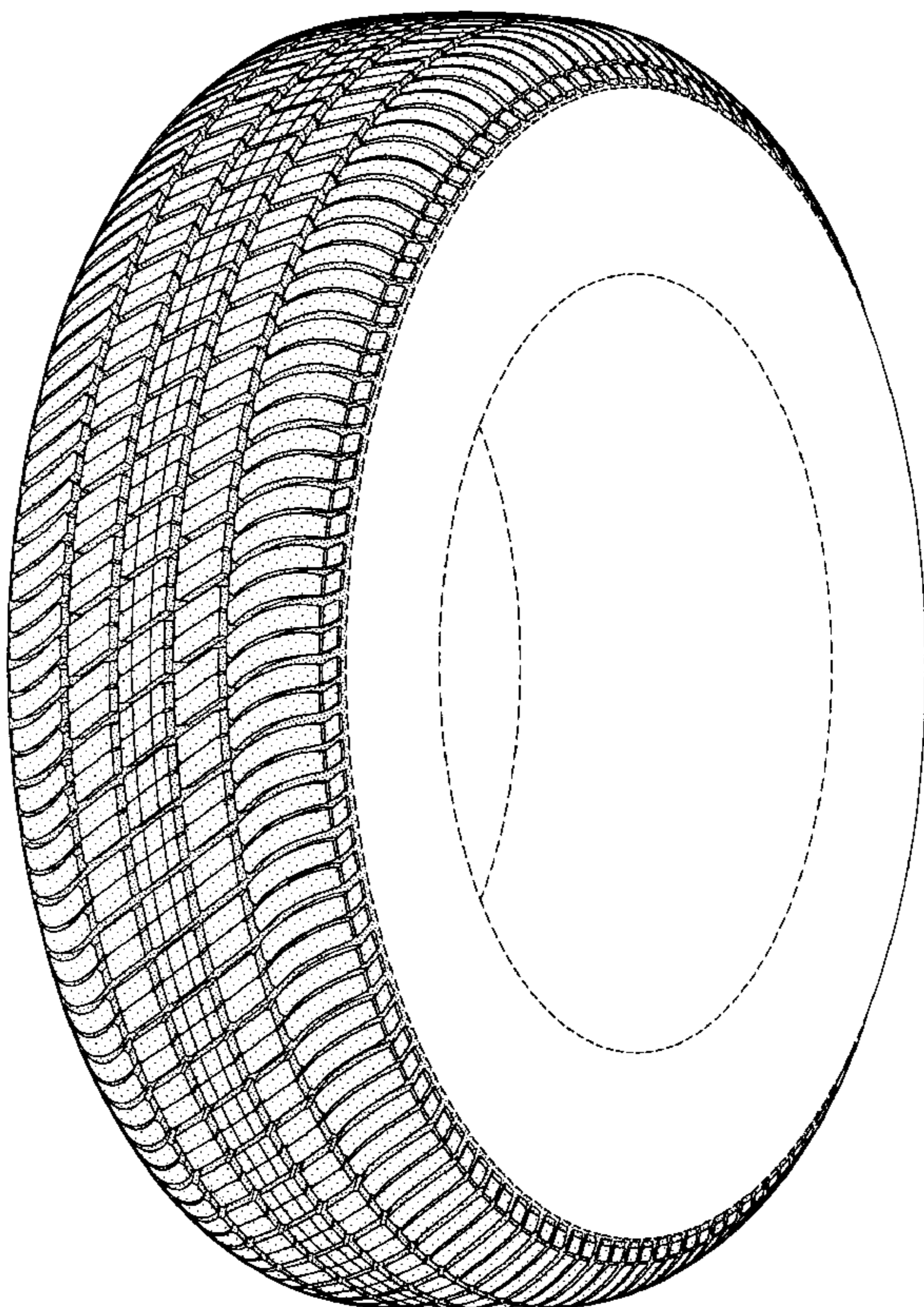
FIG. 2 is a front elevational view thereof;

FIG. 3 is a side elevational view thereof, the opposite side elevational view being identical thereto; and,

FIG. 4 is an enlarged fragmentary front perspective view thereof.

In the drawings, the broken lines defining the inner bead of the sidewall and the peripheral boundary between the tire tread and the sidewall are for illustrative purposes only and form no part of the claimed design.

1 Claim, 4 Drawing Sheets



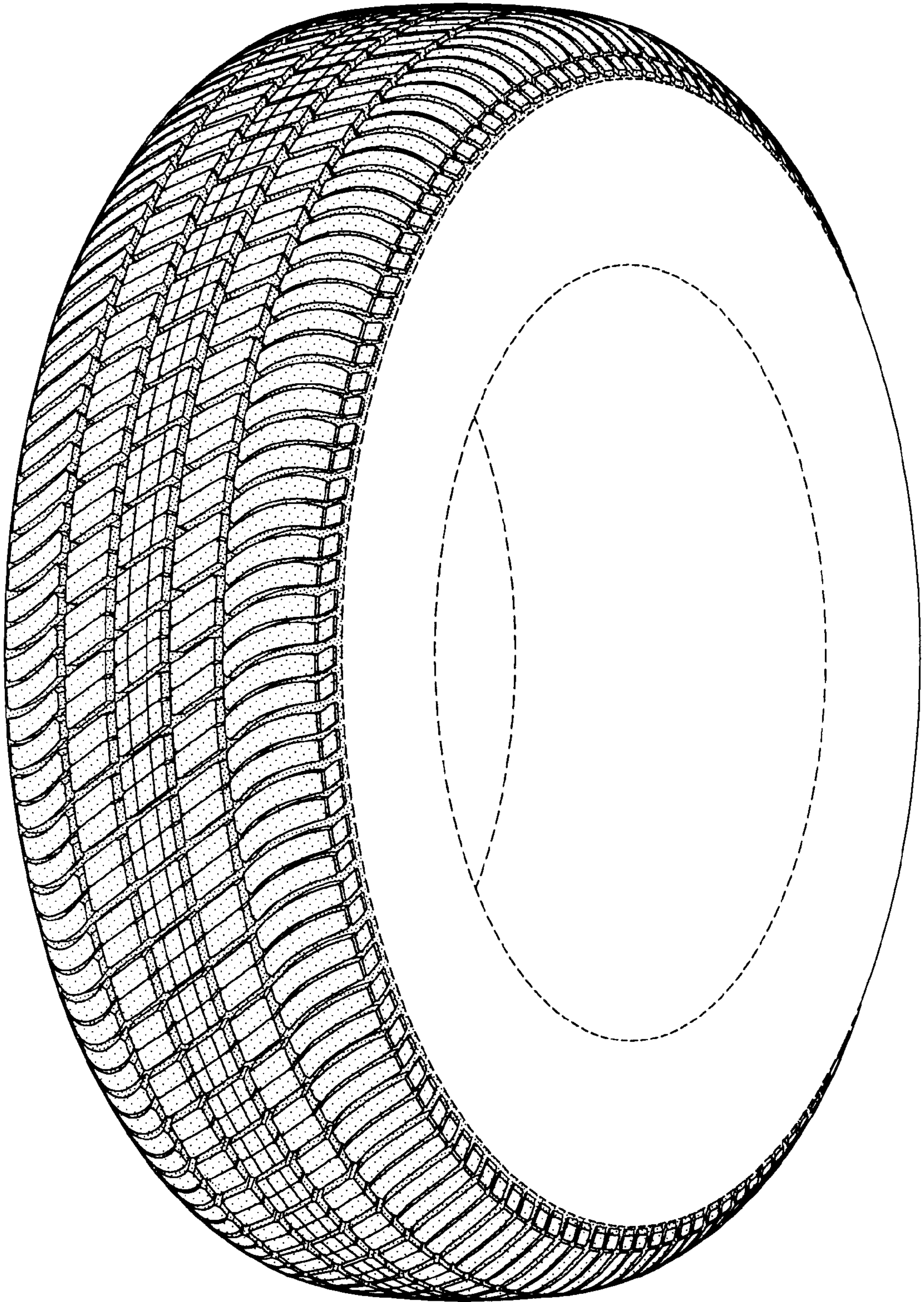


FIG-1

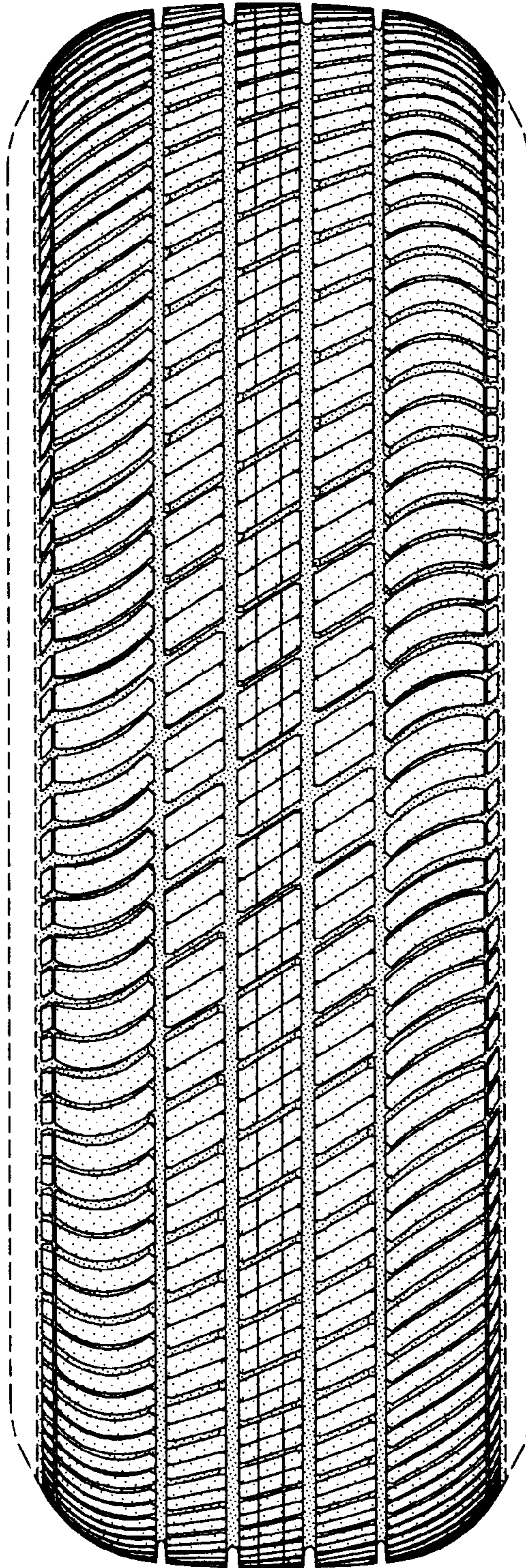


FIG-2

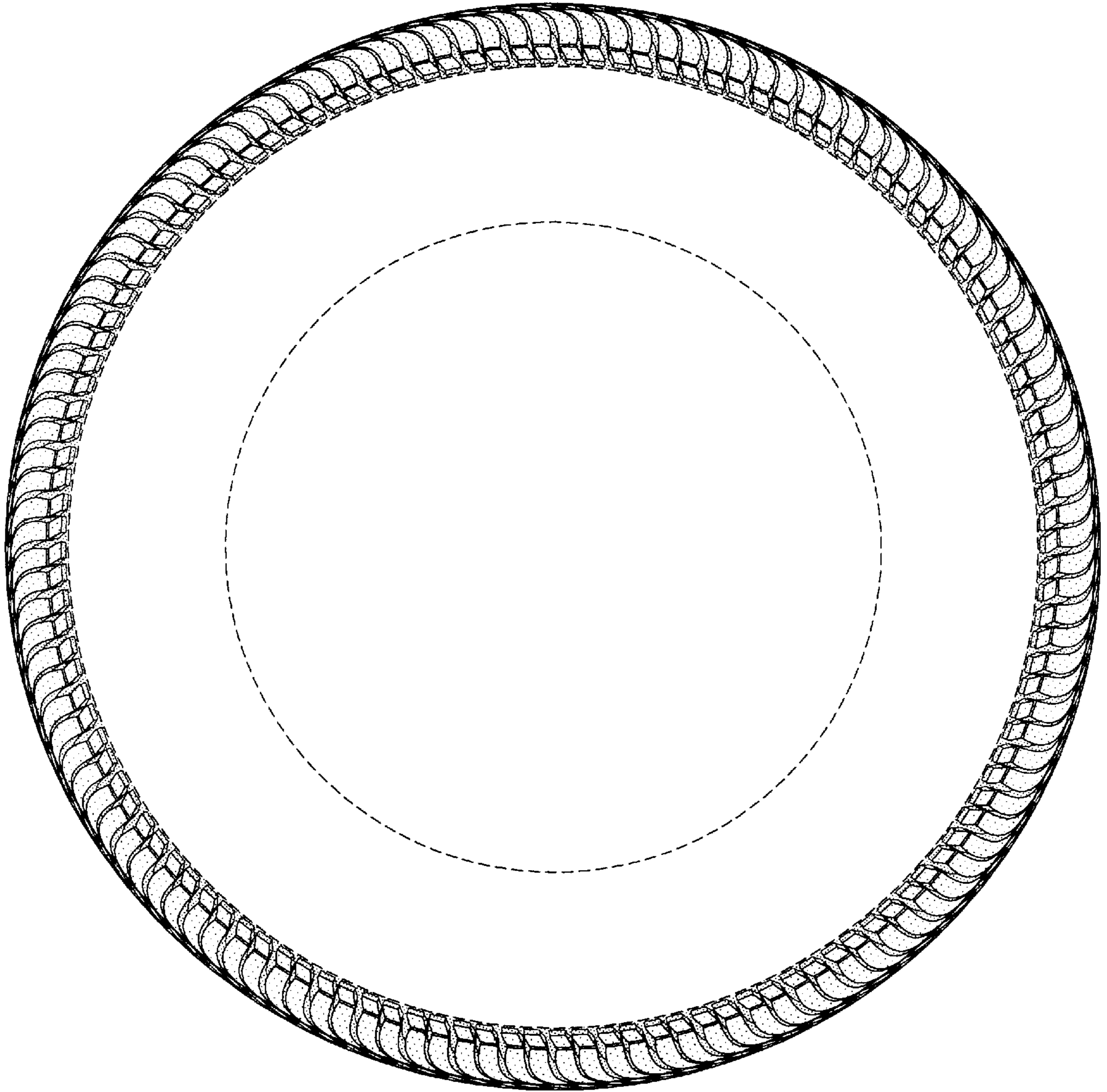


FIG-3

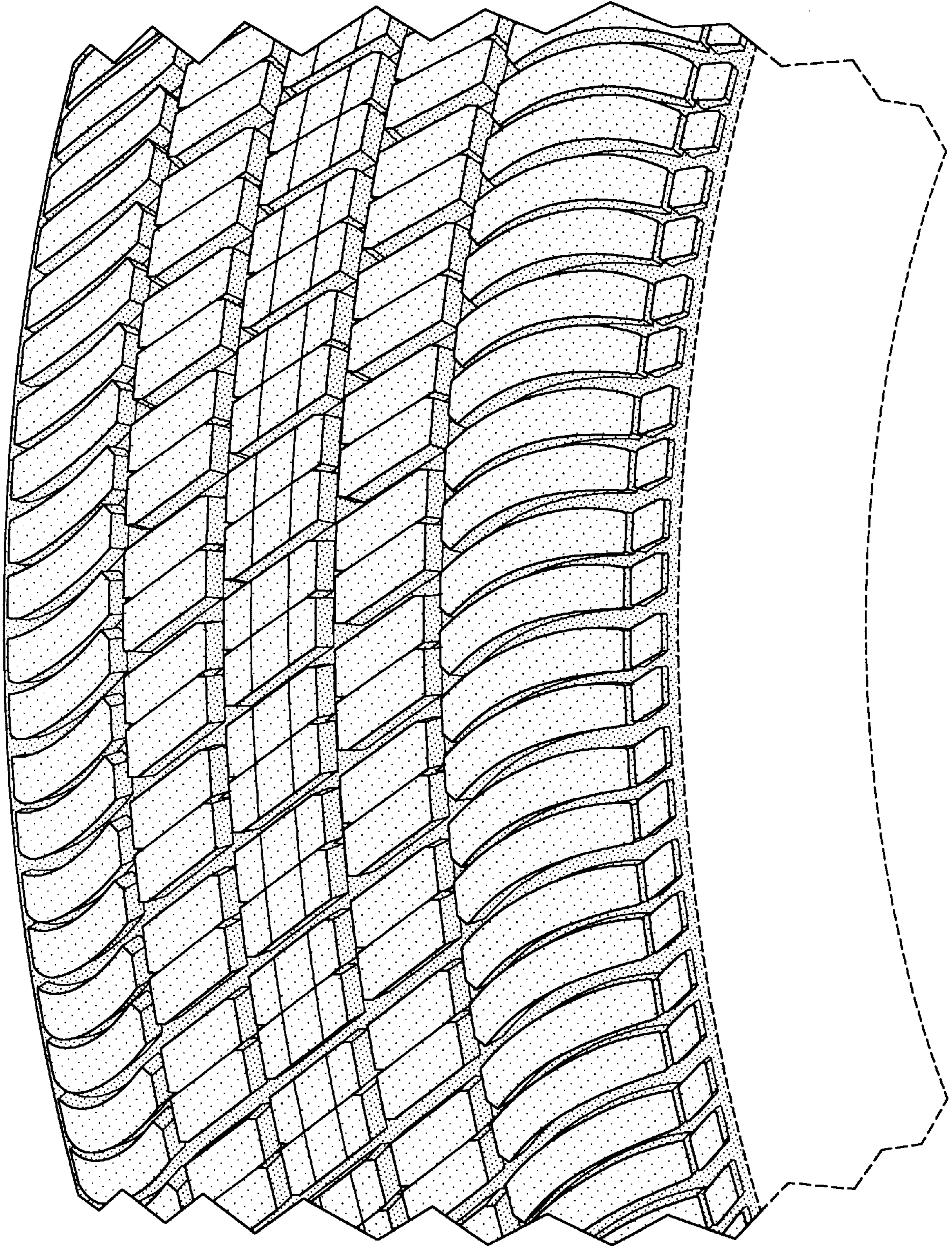


FIG-4