



US00D409530S

United States Patent [19]

Chen et al.

[11] Patent Number: **Des. 409,530**

[45] Date of Patent: **** May 11, 1999**

[54] **STROLLER**

[75] Inventors: **Er-Jui Chen**, Kaohsiung; **Pao-Shan Huang**, Taipao; **Chuan-Tso Tai**, Chiayi Hsien, all of Taiwan; **Ying-Yuan Huang**, Tortola, Virgin Islands (Br.)

[73] Assignee: **Link Treasure Limited**, Tortola, Virgin Islands (Br.)

[**] Term: **14 Years**

[21] Appl. No.: **29/088,264**

[22] Filed: **May 19, 1998**

[51] **LOC (6) Cl.** **12-12**

[52] **U.S. Cl.** **D12/129**

[58] **Field of Search** D12/128-133;
280/62, 641, 642, 643, 647, 650, 657, 658,
30, 47.38

[56] **References Cited**

U.S. PATENT DOCUMENTS

D. 350,923 9/1994 Schmidlin et al. D12/129

D. 357,890 5/1995 Eyman et al. D12/129
D. 362,419 9/1995 Chih D12/129
D. 385,514 10/1997 Eyman et al. D12/129
5,123,670 6/1992 Chen 280/650
5,669,624 9/1997 Eichhorn 280/642

Primary Examiner—Kay H. Chin
Attorney, Agent, or Firm—Bacon & Thomas, PLLC

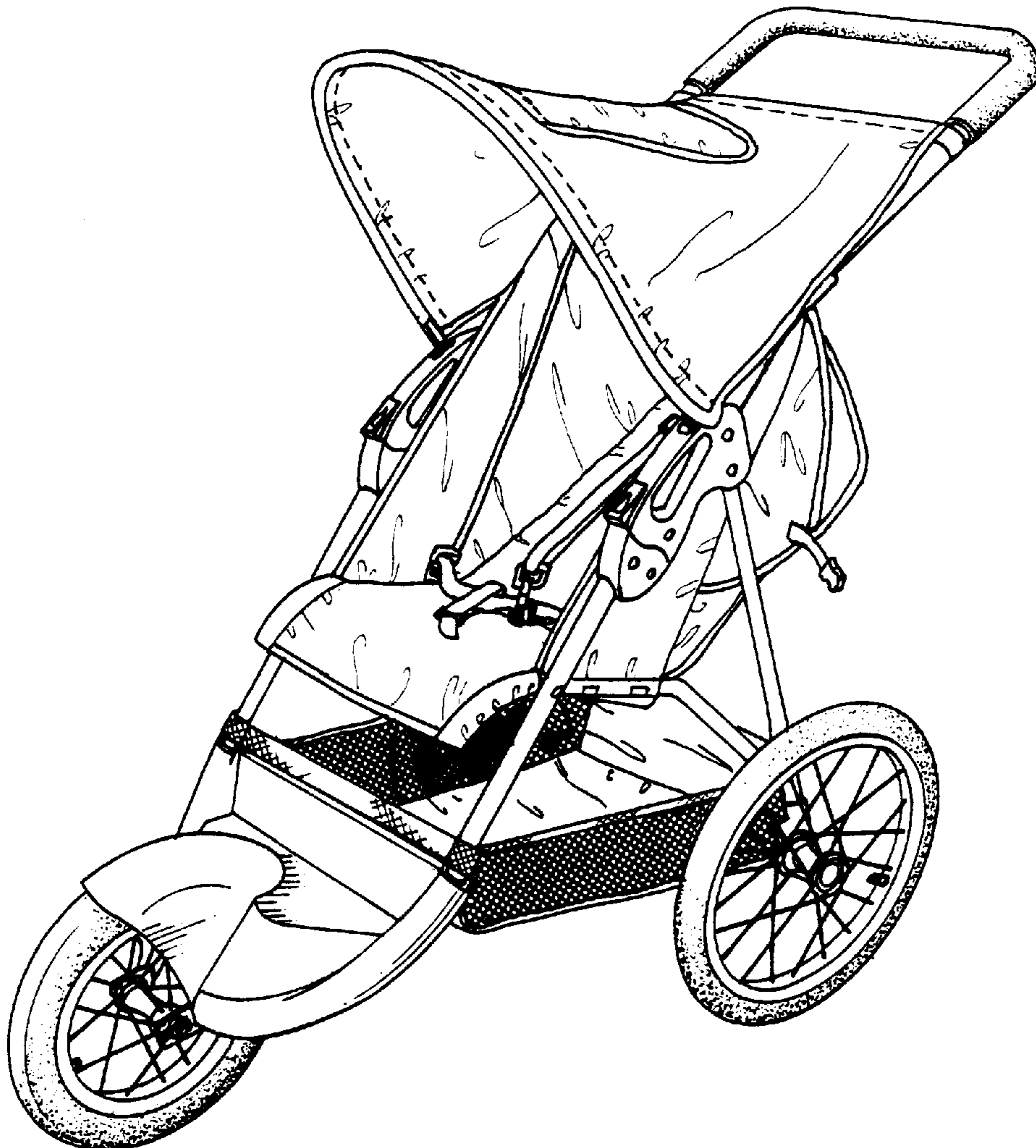
[57] **CLAIM**

The ornamental design for a stroller, as shown.

DESCRIPTION

FIG. 1 is a front-right-top perspective view of a stroller, showing our new design;
FIG. 2 is a front elevational view thereof;
FIG. 3 is a rear elevational view thereof;
FIG. 4 is a left side view thereof;
FIG. 5 is a right side view thereof;
FIG. 6 is a top plan view thereof; and,
FIG. 7 is a bottom plan view thereof.

1 Claim, 5 Drawing Sheets



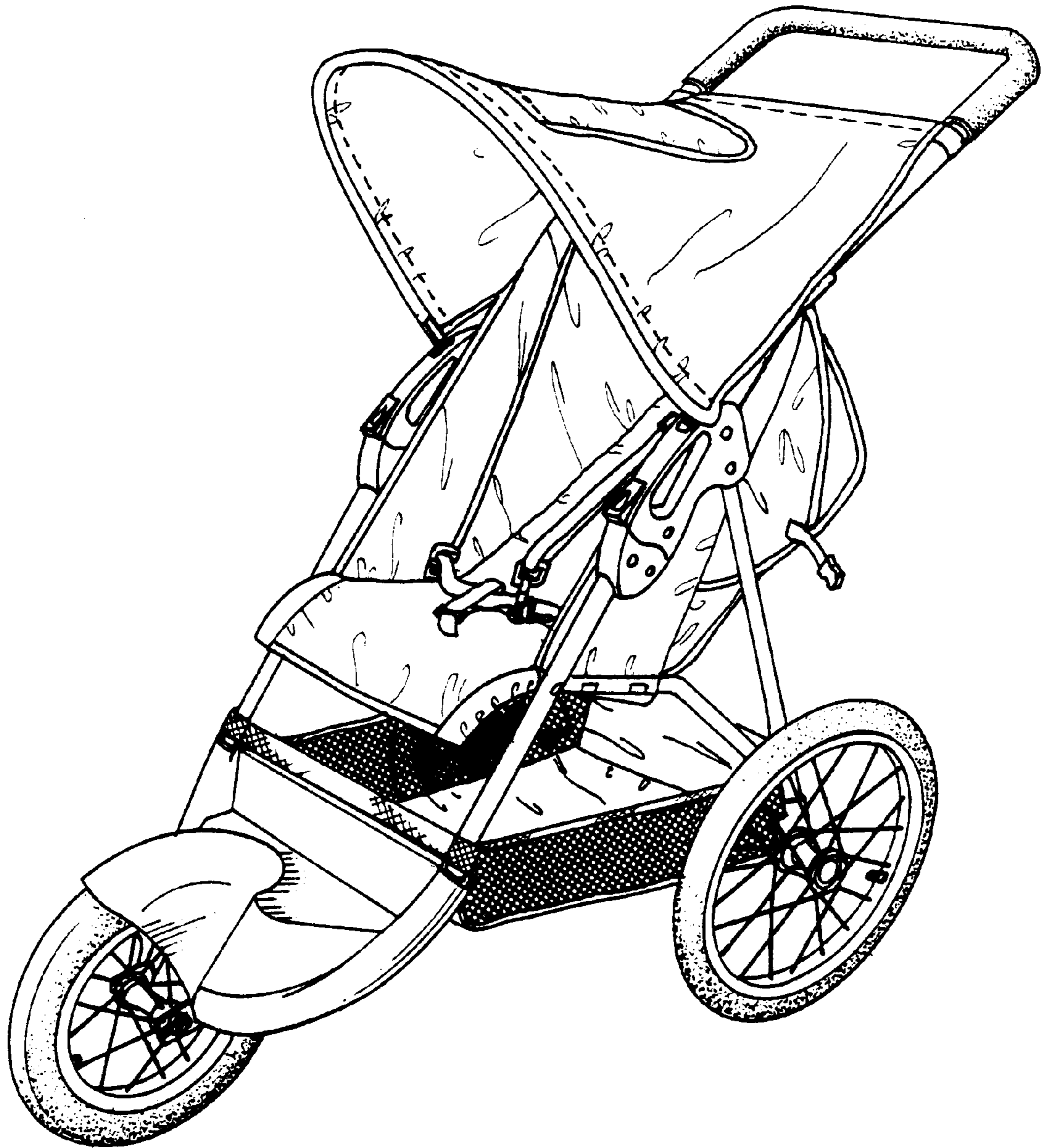


FIG. 1

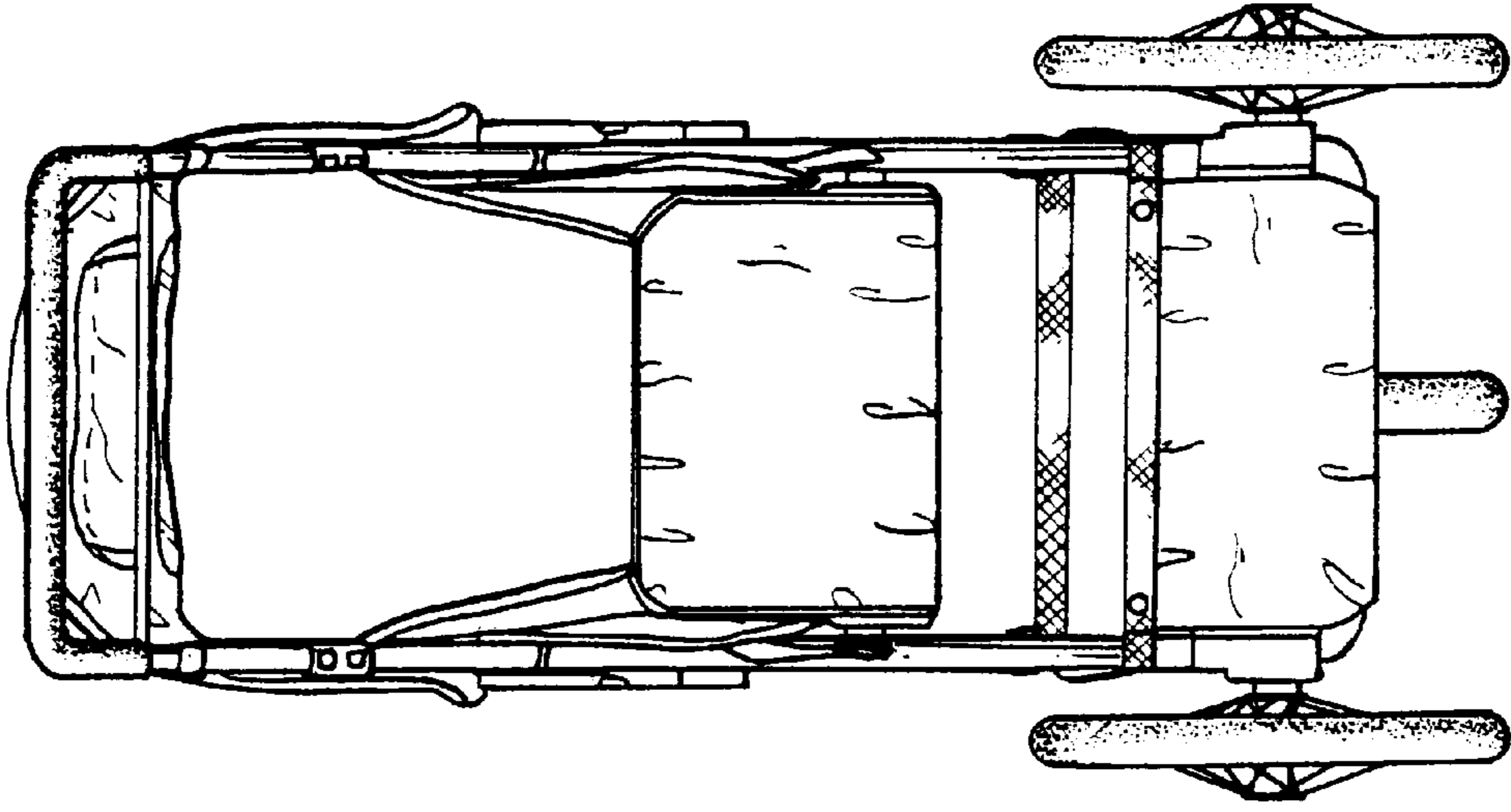


FIG. 3

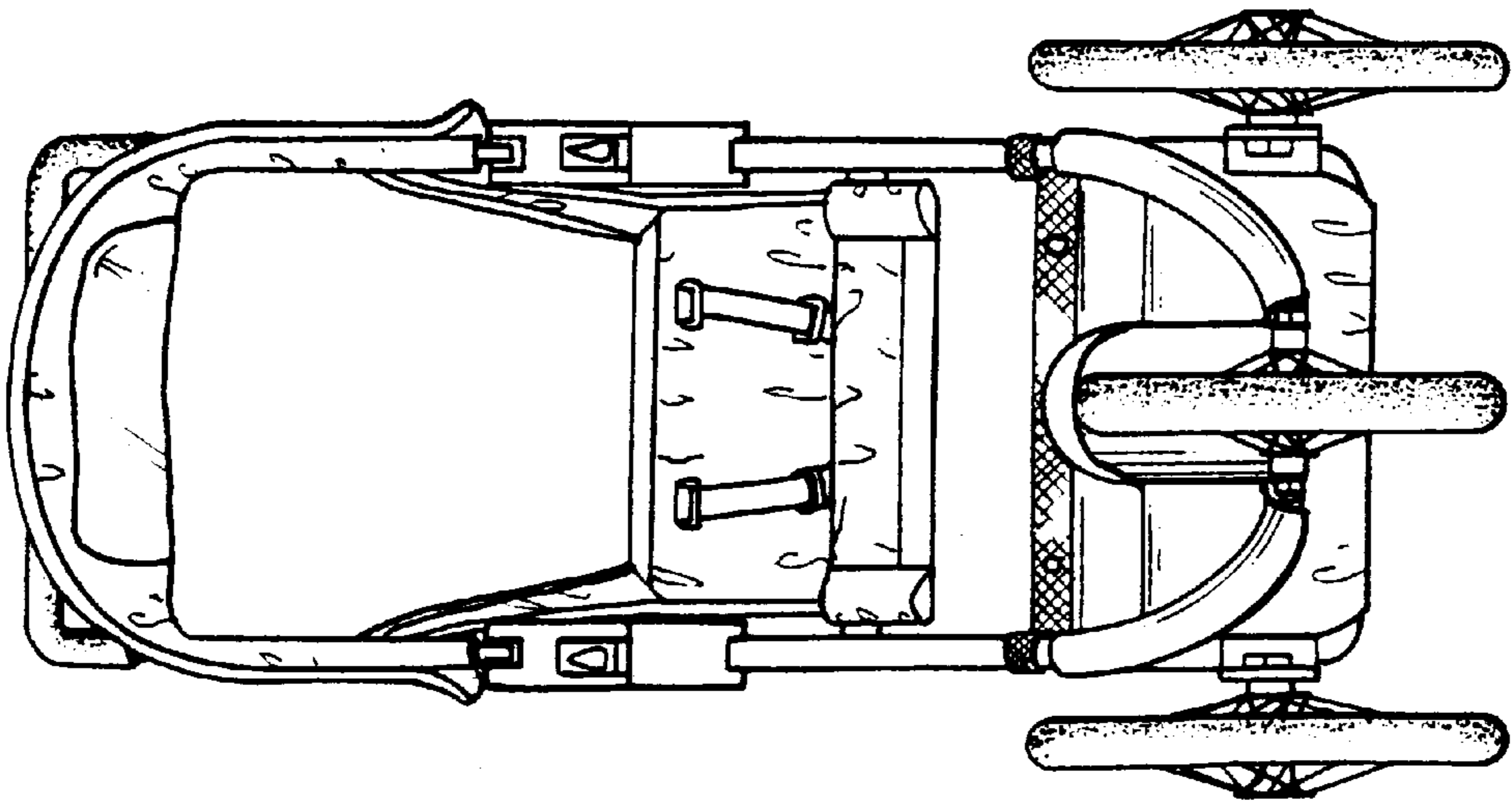


FIG. 2

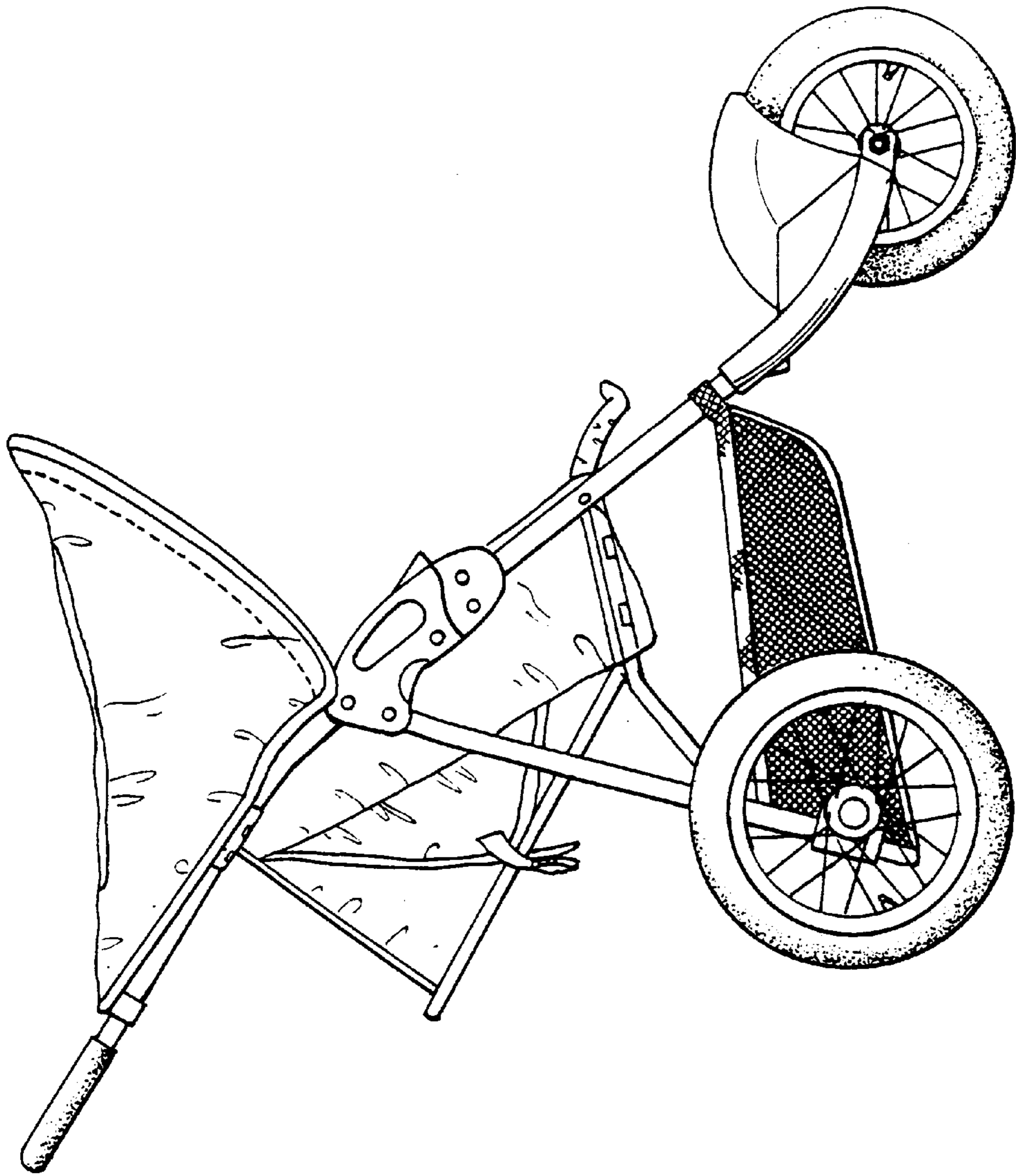


FIG. 4

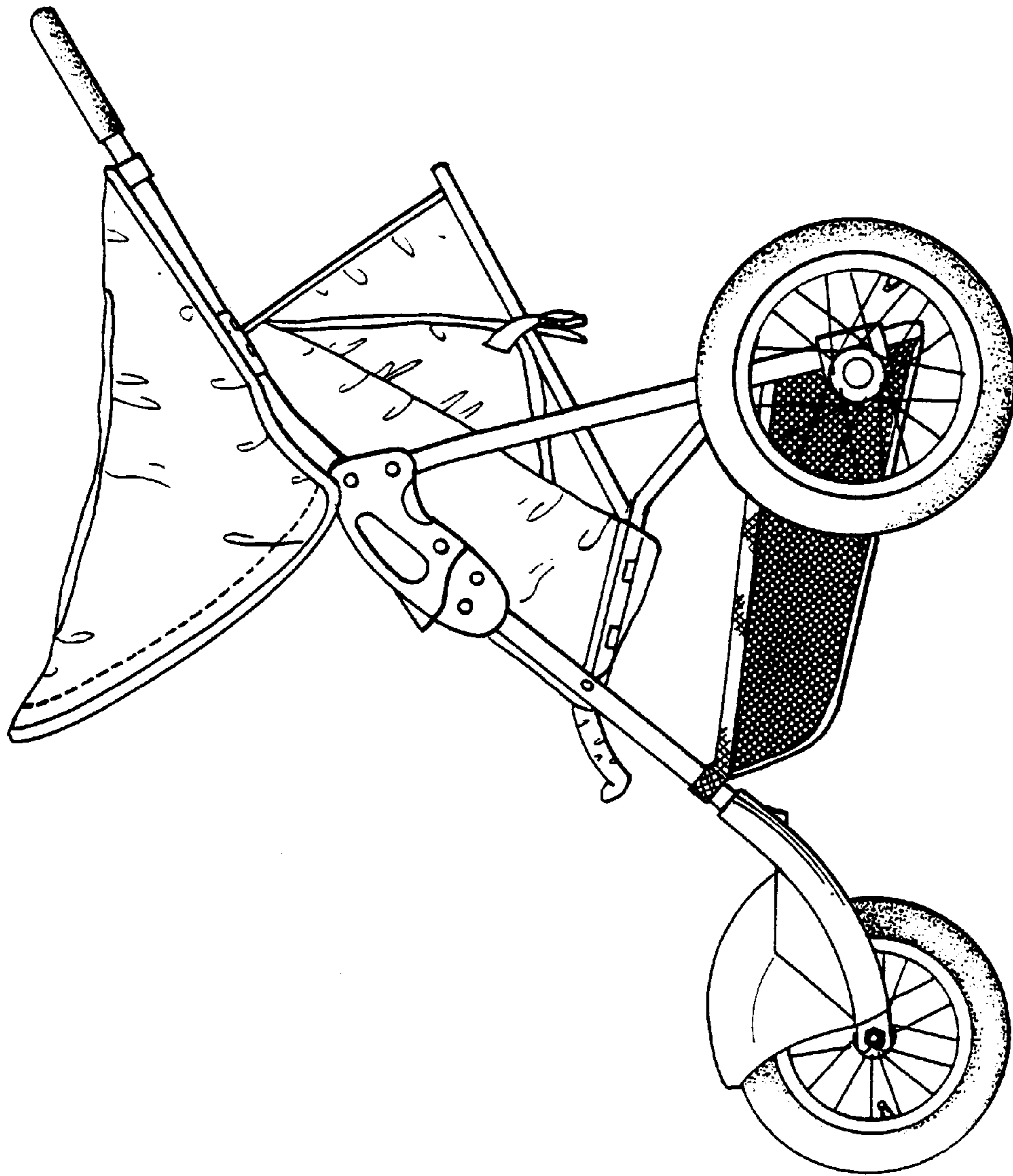


FIG. 5

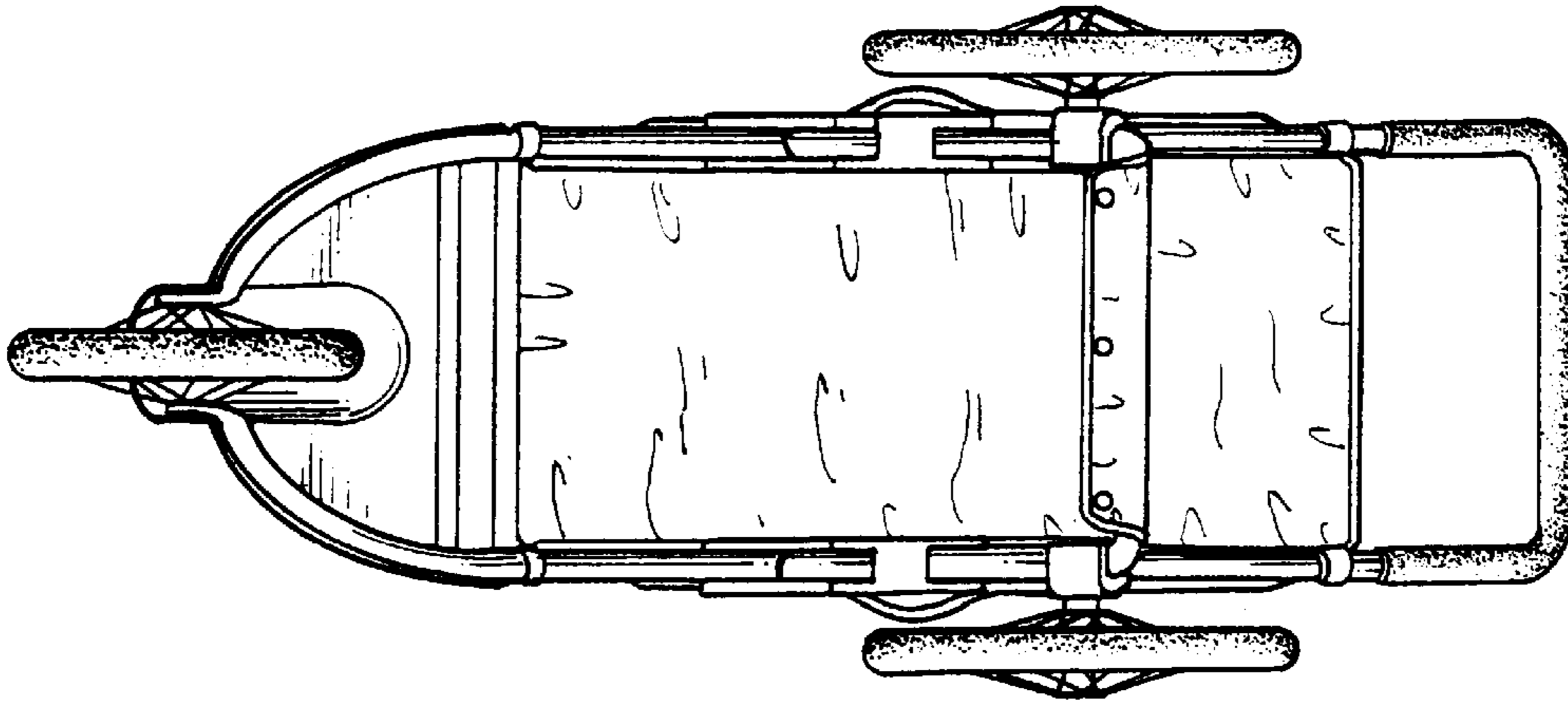


FIG. 7

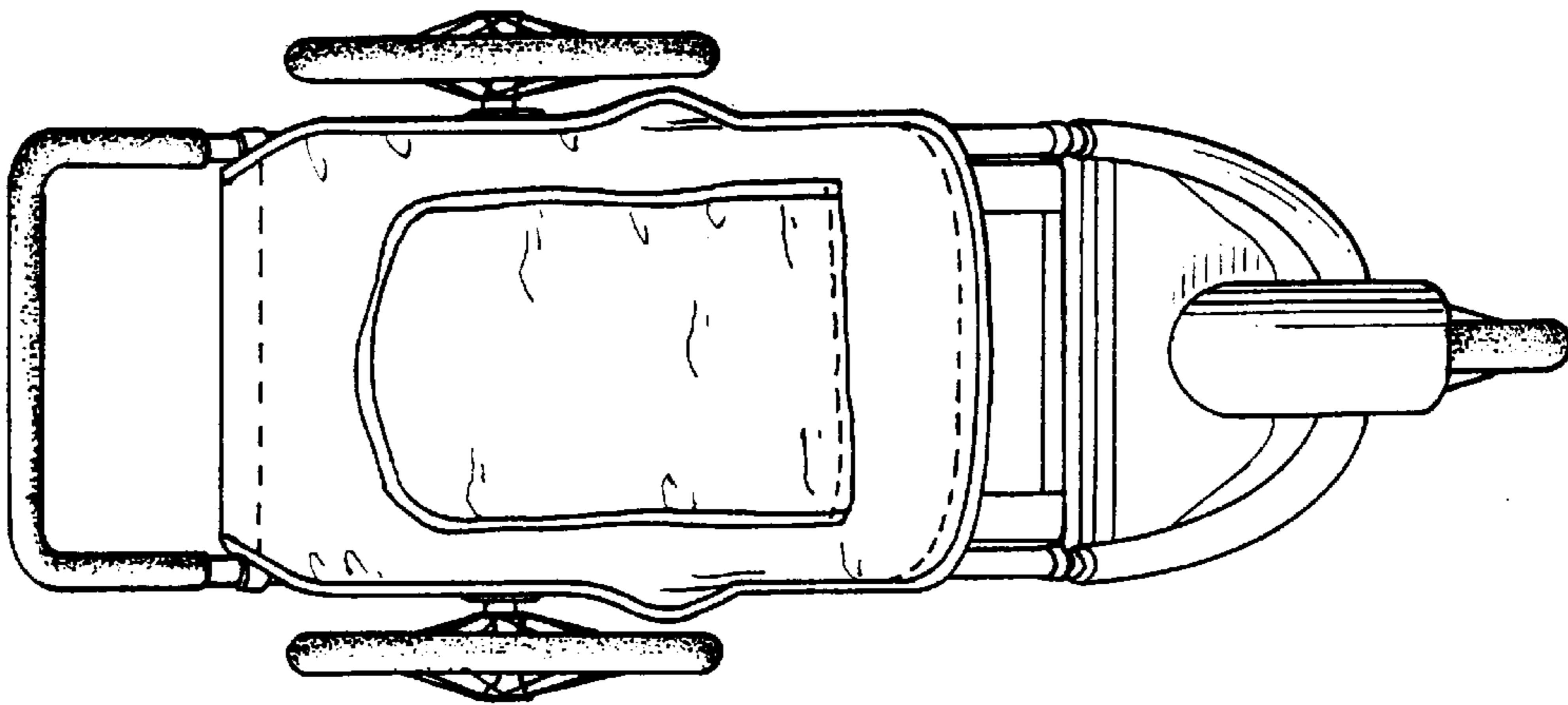


FIG. 6