



US00D409529S

# United States Patent [19]

[11] Patent Number: **Des. 409,529**

Mottern et al.

[45] Date of Patent: **\*\* May 11, 1999**

## [54] BICYCLE KICKSTAND SUPPORT

## OTHER PUBLICATIONS

[76] Inventors: **Rita June Mottern**, 2178 Harbor View Dr., Dunedin, Fla. 34698; **Wallace William Gerren**, 3771 State Rte. 44, Rootstown, Ohio 44272

The Wall Street Journal, p. 7 "Hockey Puck", Jan. 30, 1975.

*Primary Examiner*—Melody N. Brown  
*Attorney, Agent, or Firm*—William E. Mouzavires

[\*\*] Term: **14 Years**

## [57] CLAIM

[21] Appl. No.: **29/057,355**

The ornamental design for a bicycle kickstand support, as shown and describe.

[22] Filed: **Jul. 23, 1996**

## DESCRIPTION

[51] **LOC (6) Cl.** ..... **12-11**

FIG. 1 is a perspective view of a bicycle kickstand support showing our new design in solid lines;

[52] **U.S. Cl.** ..... **D12/120**

FIG. 2 is a bottom view thereof;

[58] **Field of Search** ..... D12/120; 280/288.4, 280/293, 301; D8/305; D21/203

FIG. 3 is a cross-sectional view thereof taken along lines 3—3 of FIG. 1;

## [56] References Cited

FIG. 4 is a front elevational view thereof with a portion broken away at the top, and with the rear elevational view being identical; and,

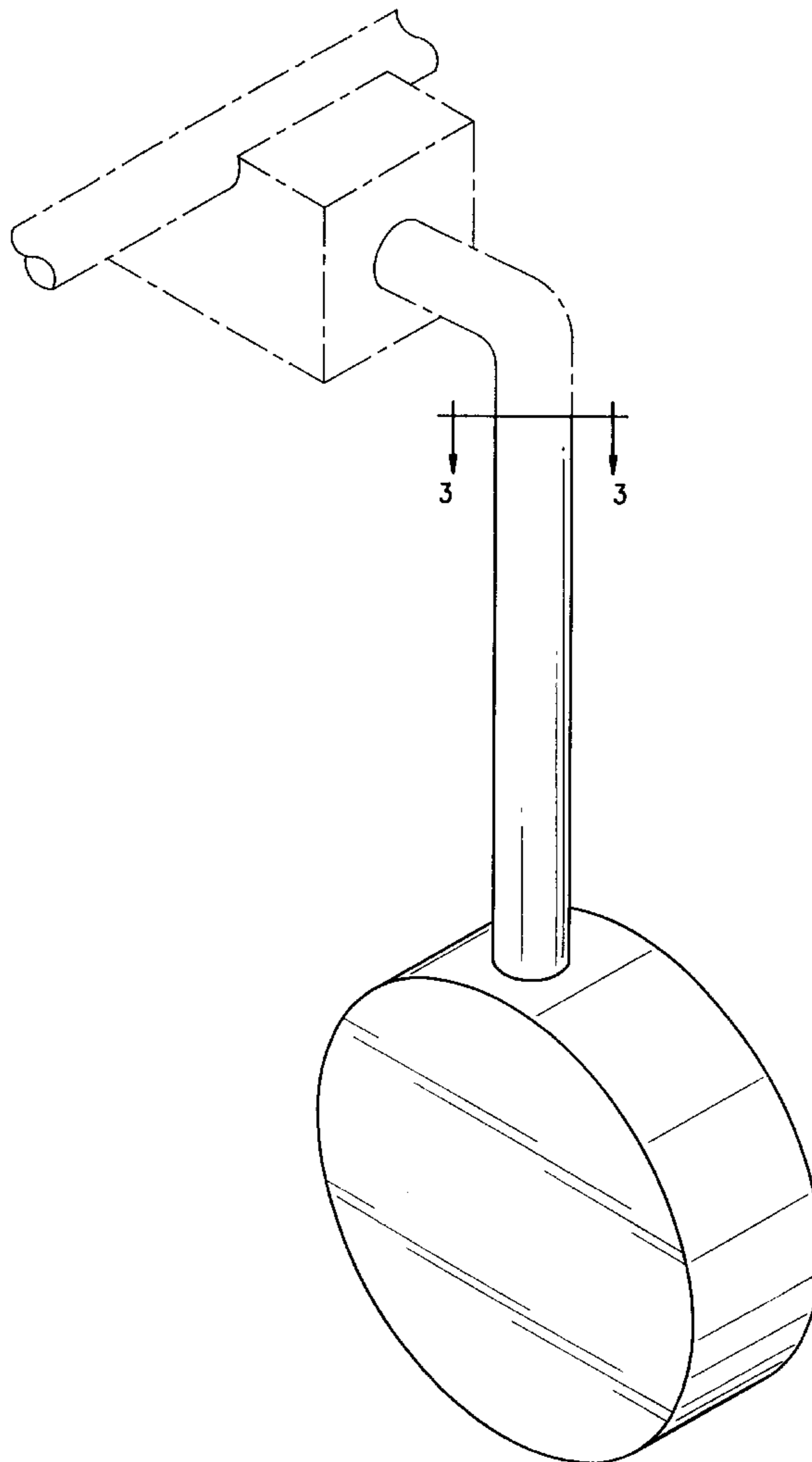
### U.S. PATENT DOCUMENTS

D. 306,419	3/1990	Merritt	.....	D12/120
D. 348,861	7/1994	Thomas	.....	D12/120
D. 350,089	8/1994	Greenfield	.....	D12/120
D. 374,897	10/1996	Whisman	.....	D21/203
3,955,829	5/1976	Bussler	.....	D12/120
5,501,479	3/1996	Fehrenbach et al.	.....	280/293

FIG. 5 is a side elevational view taken of either side thereof with a portion broken away at the top, it being understood that the righthand and lefthand side views are identical.

The broken lines shown in FIG. 1 are for illustrative purposes only and form no part of the claimed design.

**1 Claim, 2 Drawing Sheets**



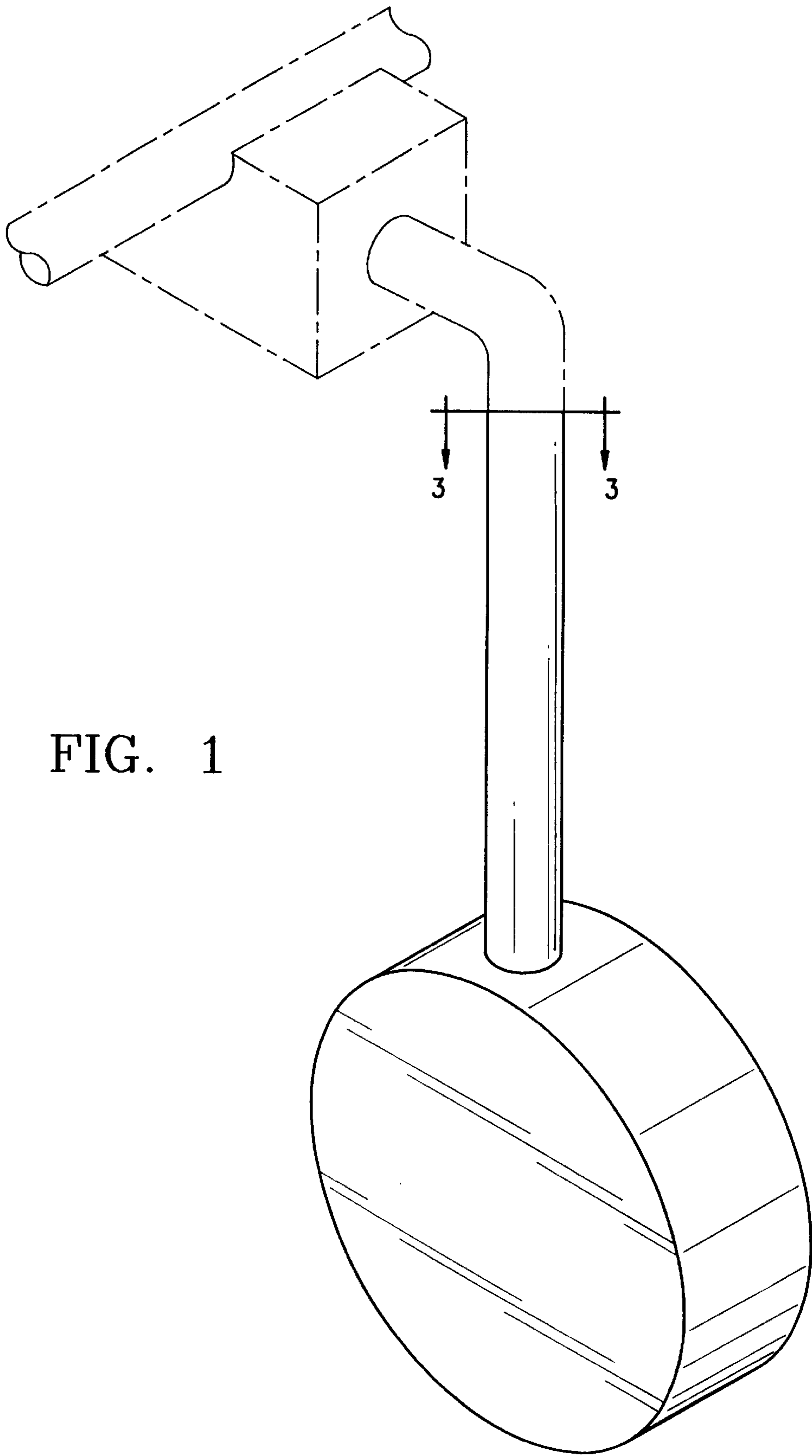


FIG. 1

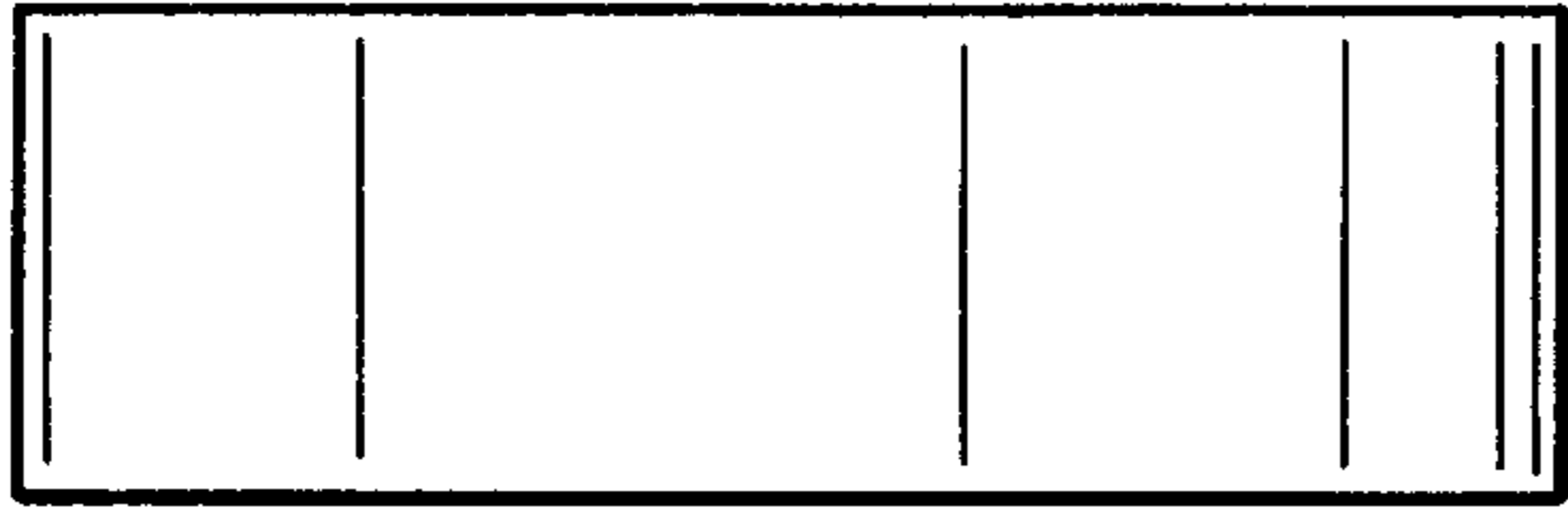


FIG. 2

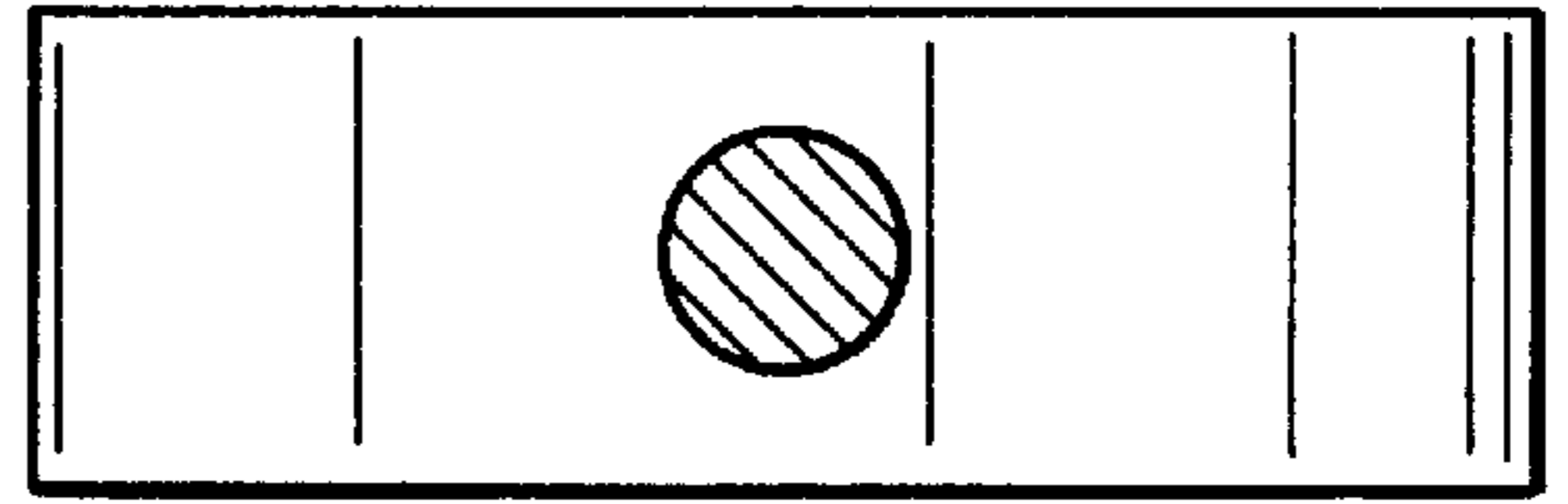


FIG. 3

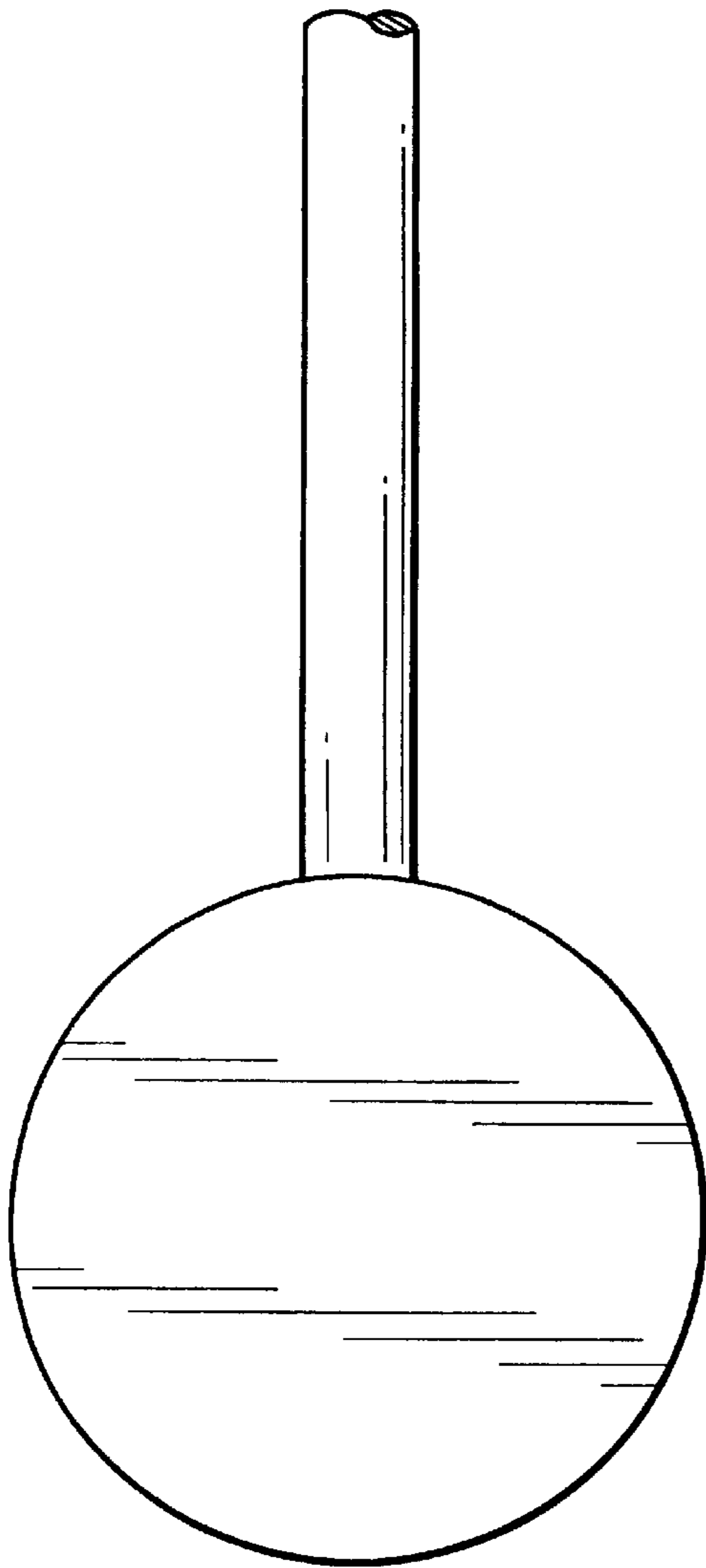


FIG. 4

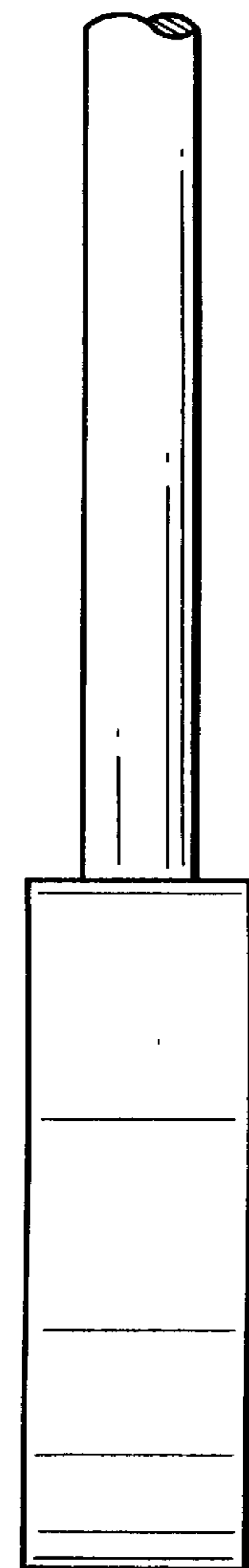


FIG. 5