



US00D409526S

United States Patent [19]

Kass et al.

[11] Patent Number: **Des. 409,526**

[45] Date of Patent: **** May 11, 1999**

[54] **STRUT FOR TRAILER TOP**

1,953,210 4/1934 Becker D8/370
5,280,986 1/1994 Friesen et al. 296/57.1

[75] Inventors: **John J. Kass**, Granger; **Gregory L. Priebe**, Elkhart, both of Ind.

Primary Examiner—Melody N. Brown
Attorney, Agent, or Firm—King and Schickli

[73] Assignee: **Reese Products, Inc.**, Elkhart, Ind.

[**] Term: **14 Years**

[57] **CLAIM**

The ornamental design of a strut for trailer top, as shown and described.

[21] Appl. No.: **29/067,463**

[22] Filed: **Mar. 3, 1997**

DESCRIPTION

[51] **LOC (6) Cl.** **12-10**

[52] **U.S. Cl.** **D12/106; D8/370**

[58] **Field of Search** D12/106, 101;
D8/354, 371, 370; 296/57.1; 248/220.4,
302-304

FIG. 1 is a perspective view of a strut for trailer top showing our new design, the trailer portion shown in broken lines are for illustrative purposes only and form no part of the claimed design;

FIG. 2 is a front elevational view thereof;

FIG. 3 is a top plan view thereof;

FIG. 4 is a rear elevational view thereof;

FIG. 5 is a bottom plan view thereof;

FIG. 6 is a right side elevational view thereof; and,

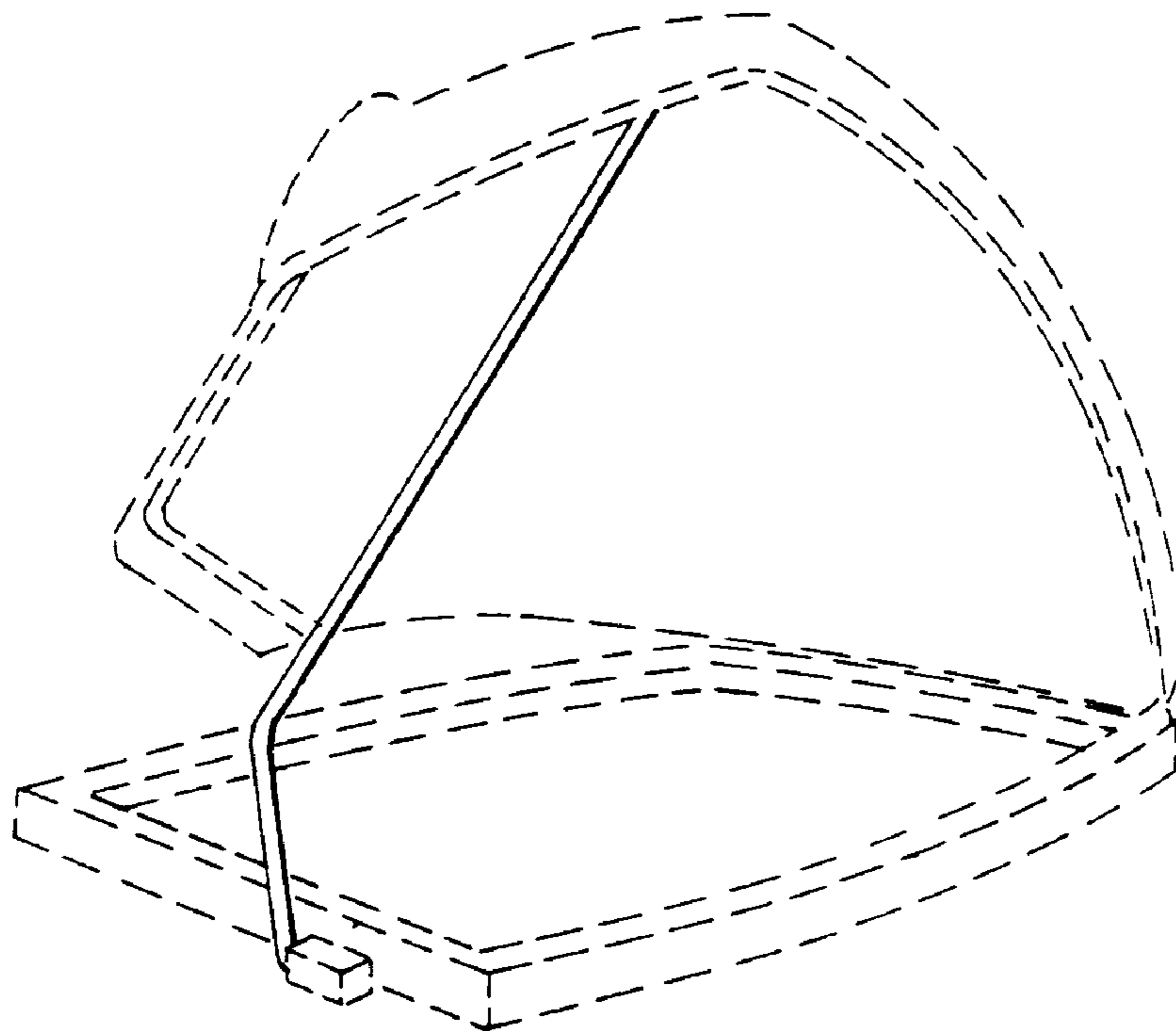
FIG. 7 is a left side elevational view thereof.

[56] **References Cited**

U.S. PATENT DOCUMENTS

- D. 253,277 10/1979 Hernsjo D8/370
- D. 347,783 6/1994 Alt D8/370
- D. 357,402 4/1995 Roethler D8/370

1 Claim, 2 Drawing Sheets



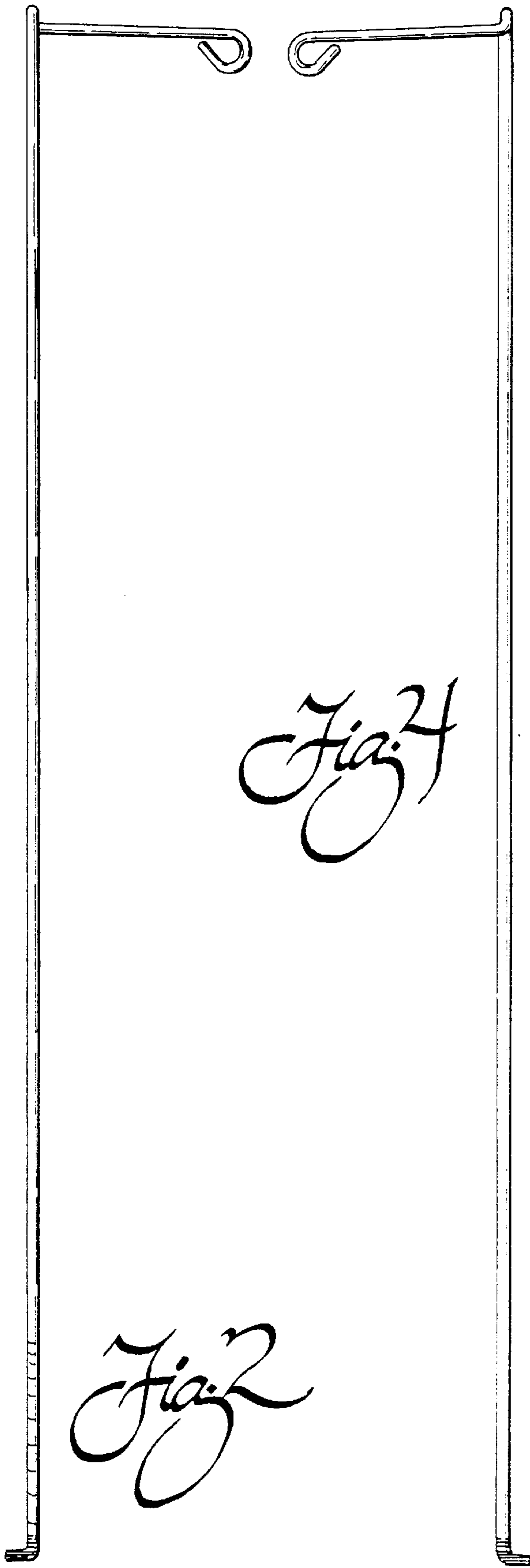


Fig. 2

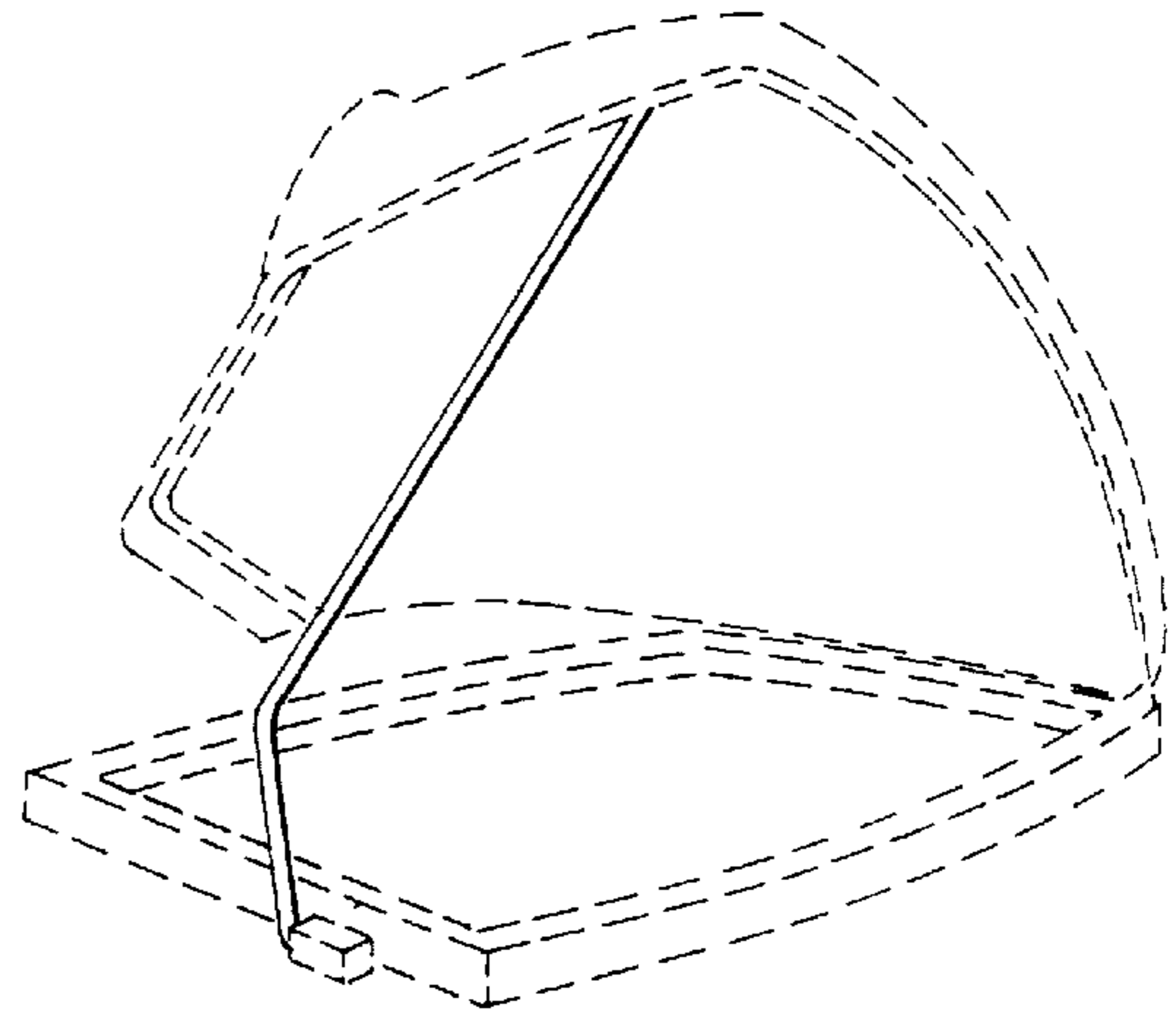


Fig. 1

