



US00D409523S

United States Patent [19]
Xidakou

[11] **Patent Number: Des. 409,523**

[45] **Date of Patent: ** May 11, 1999**

[54] **JEWELRY BUTTON**

[75] Inventor: **Mariana Xidakou**, Van Nuys, Calif.

[73] Assignee: **Jafa Gold International Ltd**, Israel

[**] Term: **14 Years**

[21] Appl. No.: **29/078,307**

[22] Filed: **Oct. 14, 1997**

[51] **LOC (6) Cl.** **11-03**

[52] **U.S. Cl.** **D11/222**

[58] **Field of Search** D11/200, 222-225,
D11/216, 213, 227, 228, 86; 24/95, 113 R,
99, 96, 90 C, 902; 79/5; 63/2

[56] **References Cited**

U.S. PATENT DOCUMENTS

20,517 2/1858 Harrington D11/222

40,829 8/1863 Liebmann D11/222
D. 95,784 5/1935 Werner D11/222
D. 173,806 1/1955 Levine D11/222

Primary Examiner—Ralf Seifert
Attorney, Agent, or Firm—Blakely Sokoloff Taylor &
Zafman

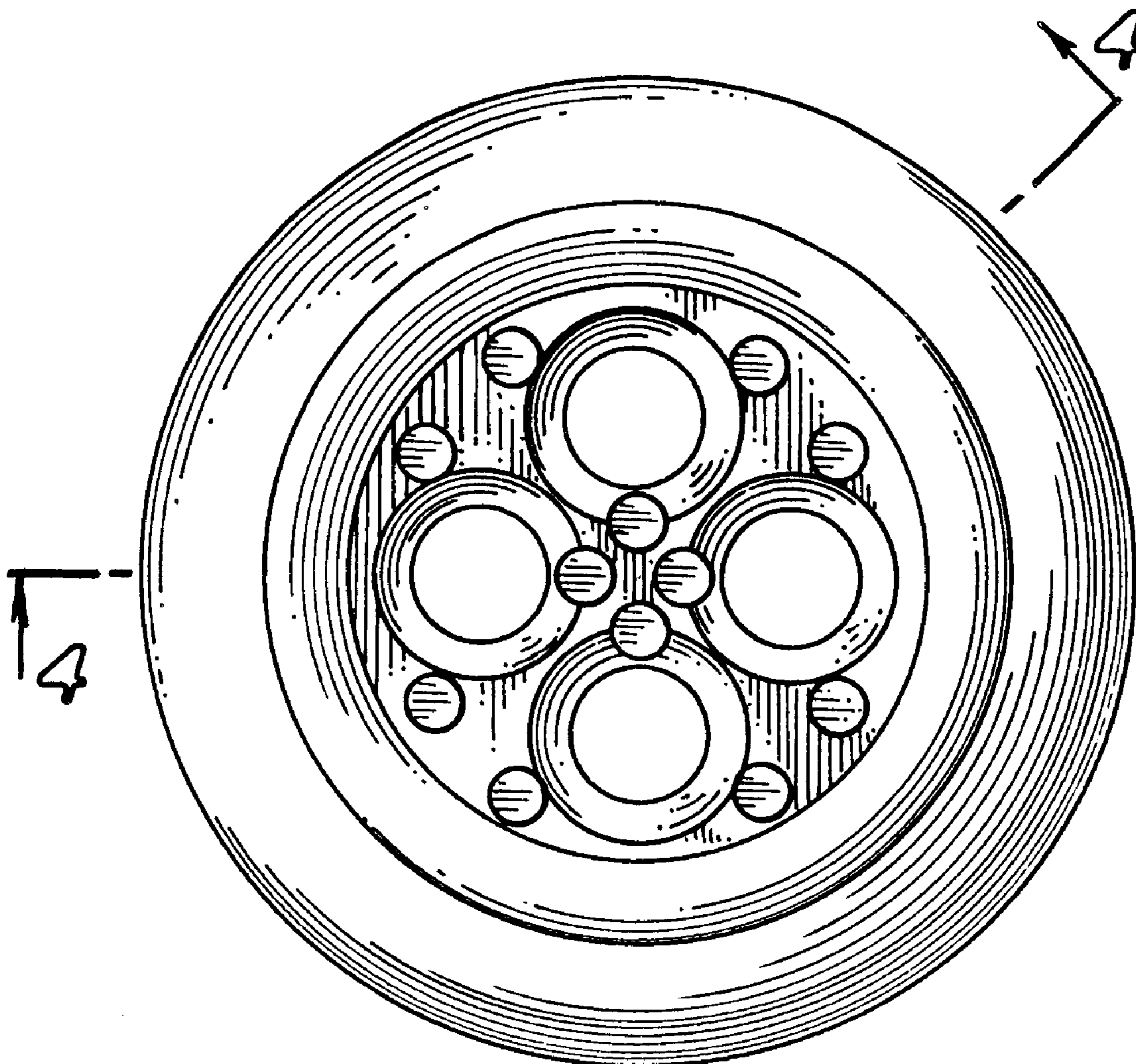
[57] **CLAIM**

The ornamental design for a jewelry button, as shown and described.

DESCRIPTION

FIG. 1 is a front elevation view of the design;
FIG. 2 is a side elevation view thereof;
FIG. 3 is a rear elevation view thereof; and,
FIG. 4 is a sectional view thereof taken along line 4-4 of
FIG. 1.

1 Claim, 1 Drawing Sheet



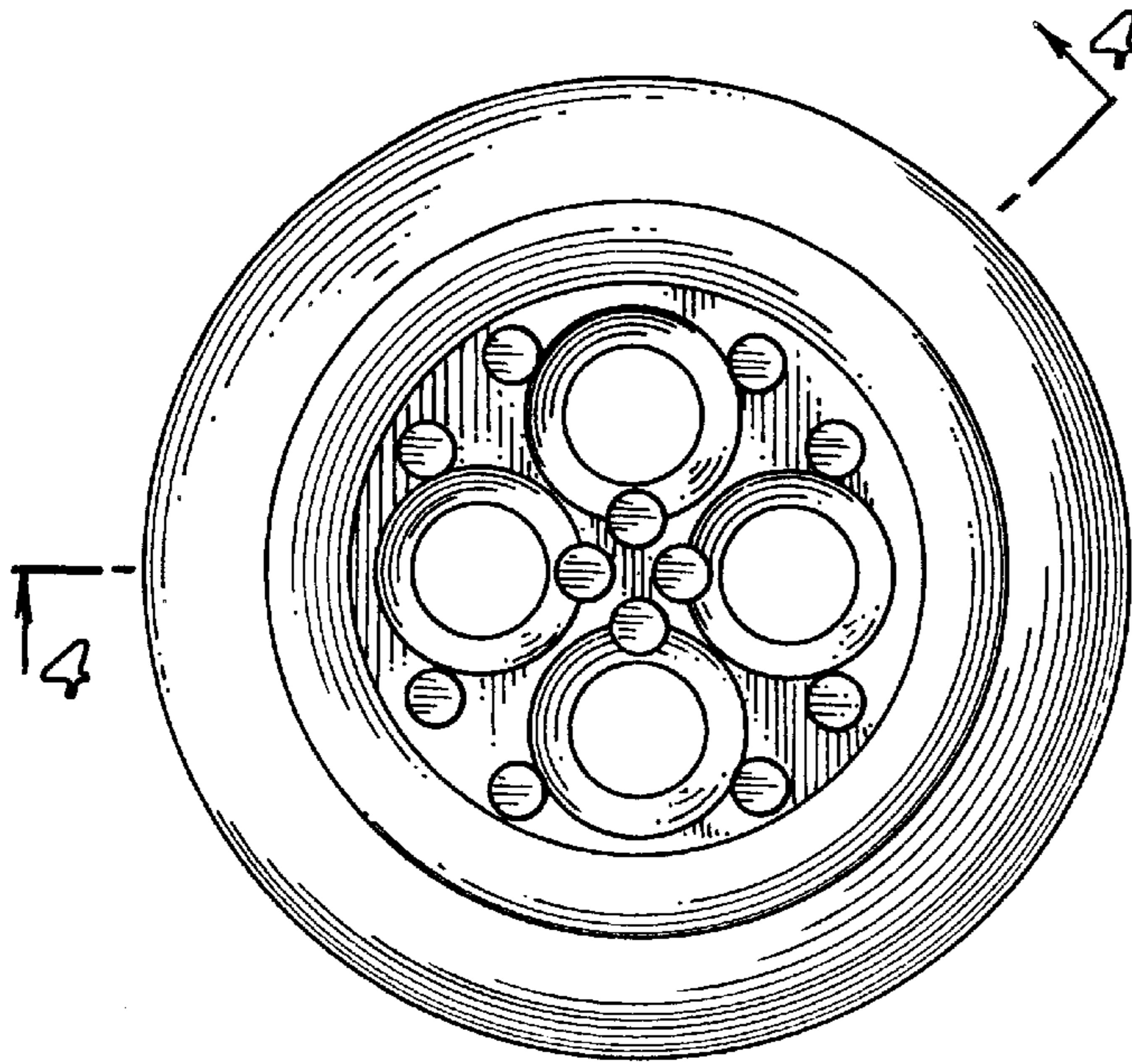


FIG. 1

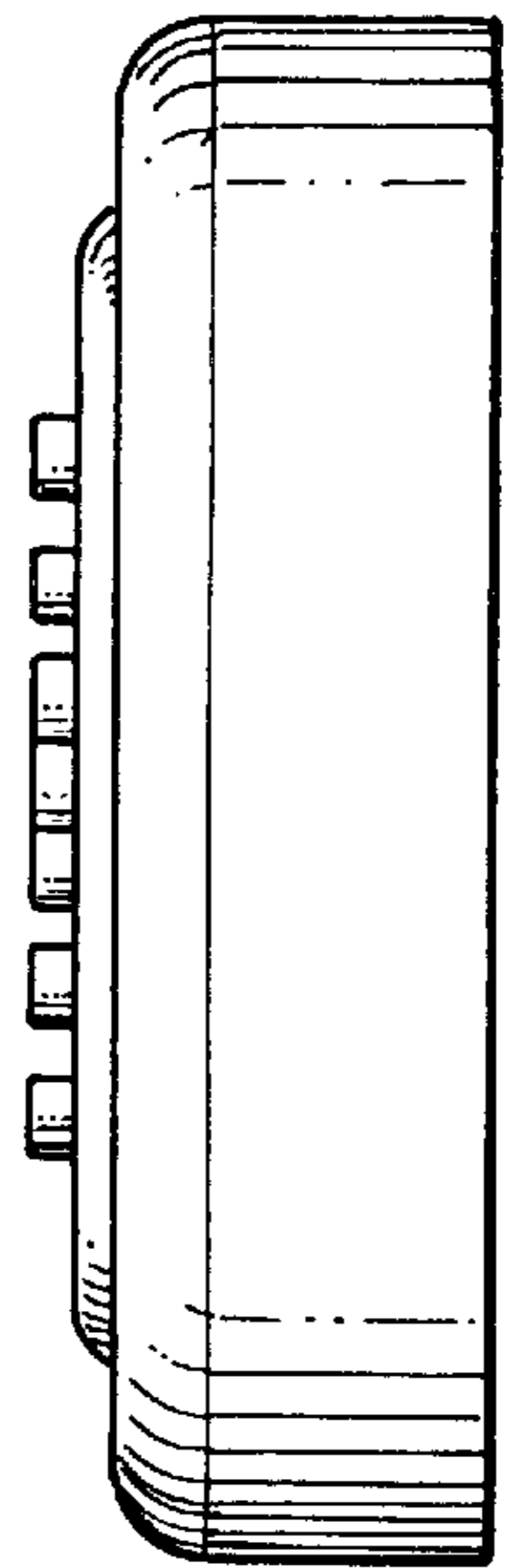


FIG. 2

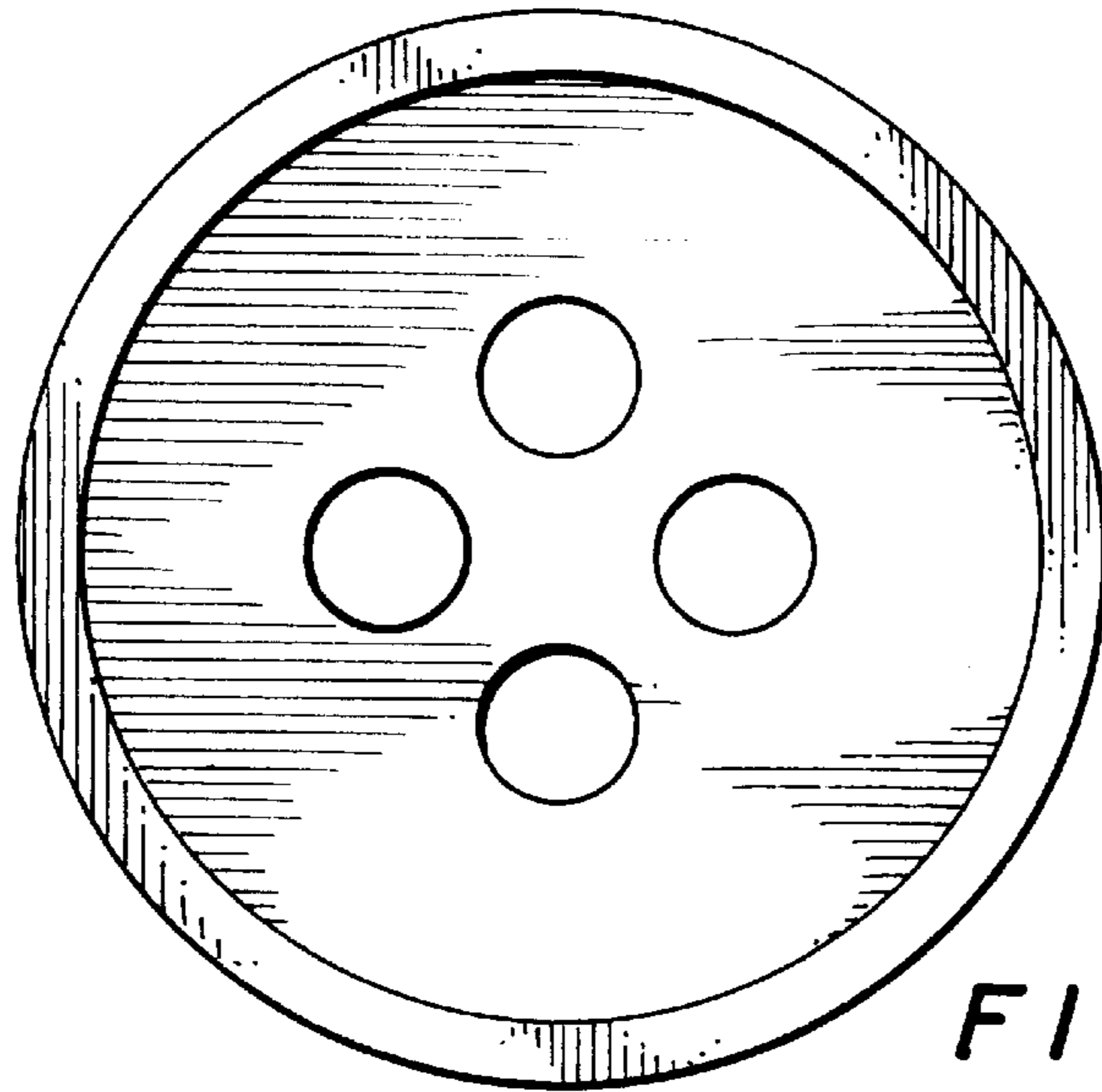


FIG. 3

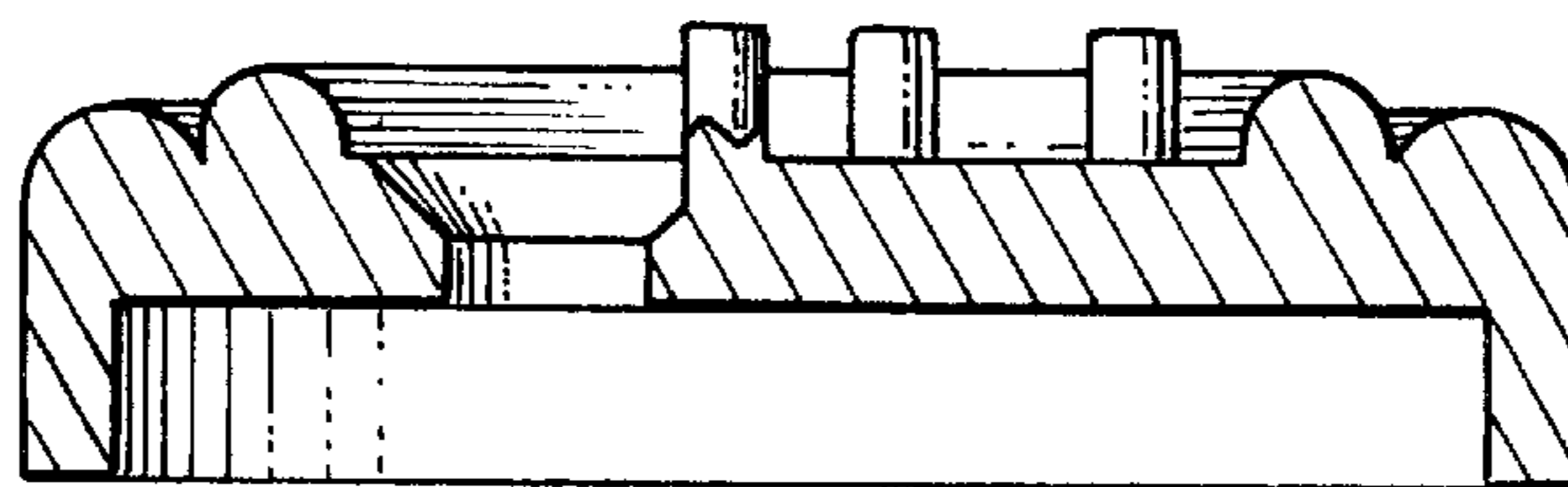


FIG. 4

**UNITED STATES PATENT AND TRADEMARK OFFICE
CERTIFICATE OF CORRECTION**

PATENT NO. : Des. 409,523
DATED : May 11, 1999
INVENTOR(S) : Xidakou

It is certified that error appears in the above-identified patent and that said Letters Patent is hereby corrected as shown below:

On the title page item

[56], delete "20,517 2/1858 Harrington D11/222"
and insert -- 20,517 2/1891 Harrington D11/222 -- .

[56], delete "40,829 8/1863 Liebmann D11/222" and
insert -- 40,829 8/1910 Liebmann D11/222 -- .

Signed and Sealed this
Twenty-fourth Day of April, 2001

Attest:

Nicholas P. Godici

NICHOLAS P. GODICI

Attesting Officer

Acting Director of the United States Patent and Trademark Office