



US00D409520S

United States Patent [19]
Conner

[11] **Patent Number: Des. 409,520**

[45] **Date of Patent: ** *May 11, 1999**

[54] **TWO-PART FLOWER VASE**

[76] Inventor: **Patricia Conner**, 4419 Roma Ct.,
Marina del Rey, Calif. 90292

[*] Notice: This patent is subject to a terminal disclaimer.

[**] Term: **14 Years**

[21] Appl. No.: **29/083,461**

[22] Filed: **Feb. 10, 1998**

[51] **LOC (6) Cl.** **11-02**

[52] **U.S. Cl.** **D11/143**

[58] **Field of Search** D11/143-156;
D6/403; 47/65.5, 66.1, 66.3, 67, 41.01;
206/423; 220/23.4; 248/27.3

[56] **References Cited**

U.S. PATENT DOCUMENTS

D. 60,174	1/1866	Saito	256/31
D. 226,279	2/1973	Byerly	D11/148
D. 278,521	4/1985	Baird et al.	D11/153
D. 382,511	8/1997	Azarian	D11/143
D. 393,816	4/1998	Conner	D11/143
585,486	6/1897	Snow	47/41.01

949,452	2/1910	Smith, Jr.	47/41.01
1,499,473	7/1924	Price	47/67
1,683,271	9/1928	Thompson et al.	47/71
2,813,619	11/1957	Gerowin	206/423
3,747,268	7/1973	Linder	47/67
4,708,256	11/1987	Intardonato	220/23.4
4,847,741	7/1989	Boettinger	362/431

Primary Examiner—Caron D. Veynar
Attorney, Agent, or Firm—Oppenheimer Wolff & Donnelly LLP

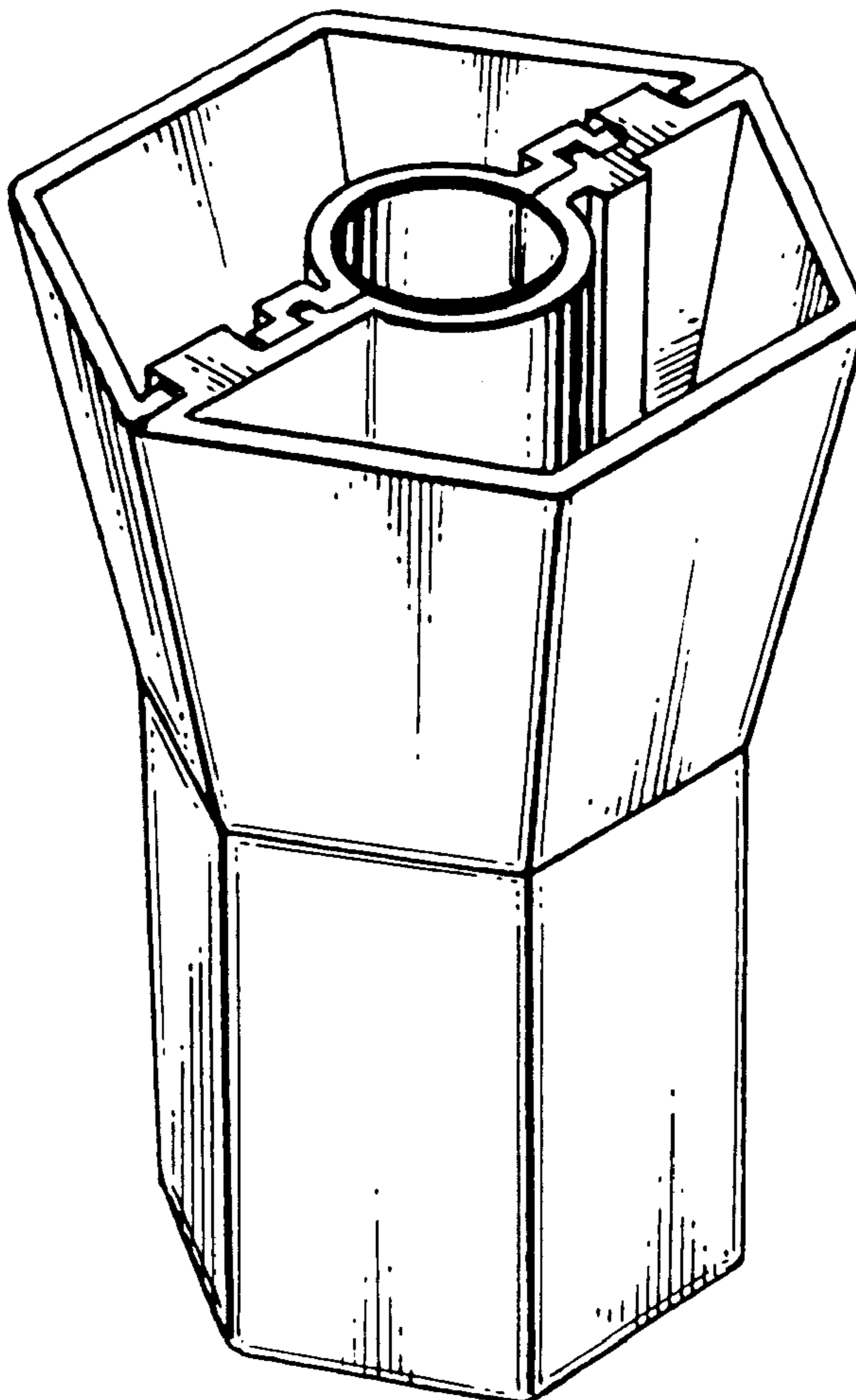
[57] **CLAIM**

The ornamental design for a two-part flower vase, as shown and described.

DESCRIPTION

FIG. 1 is a front perspective view of a design for a two part flower vase showing my new design;
FIG. 2 is an exploded perspective view thereof;
FIG. 3 is a top plan view thereof;
FIG. 4 is a rear elevational view thereof, the front elevational view being a mirror image thereof;
FIG. 5 is a right side elevational view, the left side elevated view being a mirror image thereof; and,
FIG. 6 is a bottom plan view thereof.

1 Claim, 2 Drawing Sheets



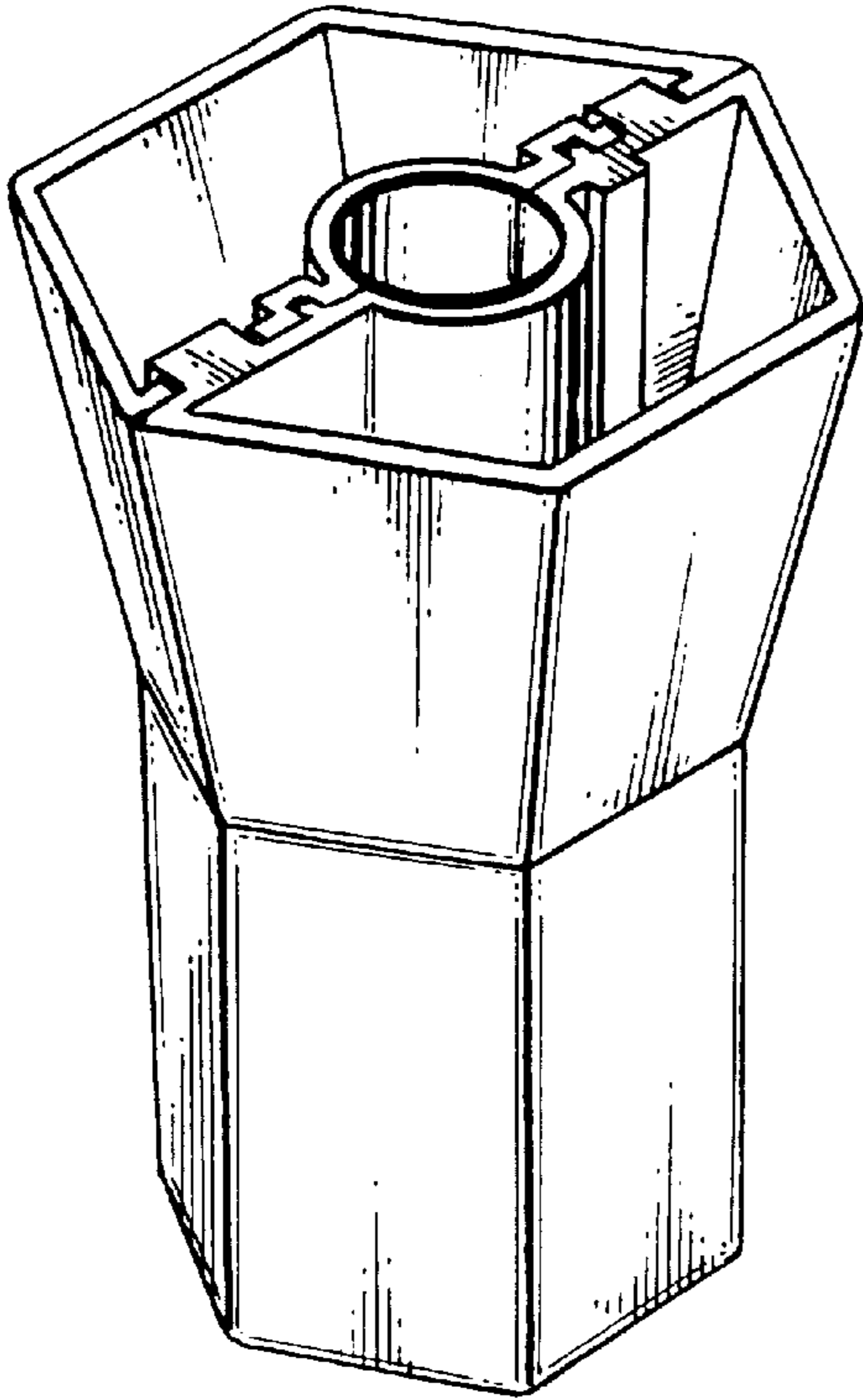


Fig. 1.

Fig. 2.

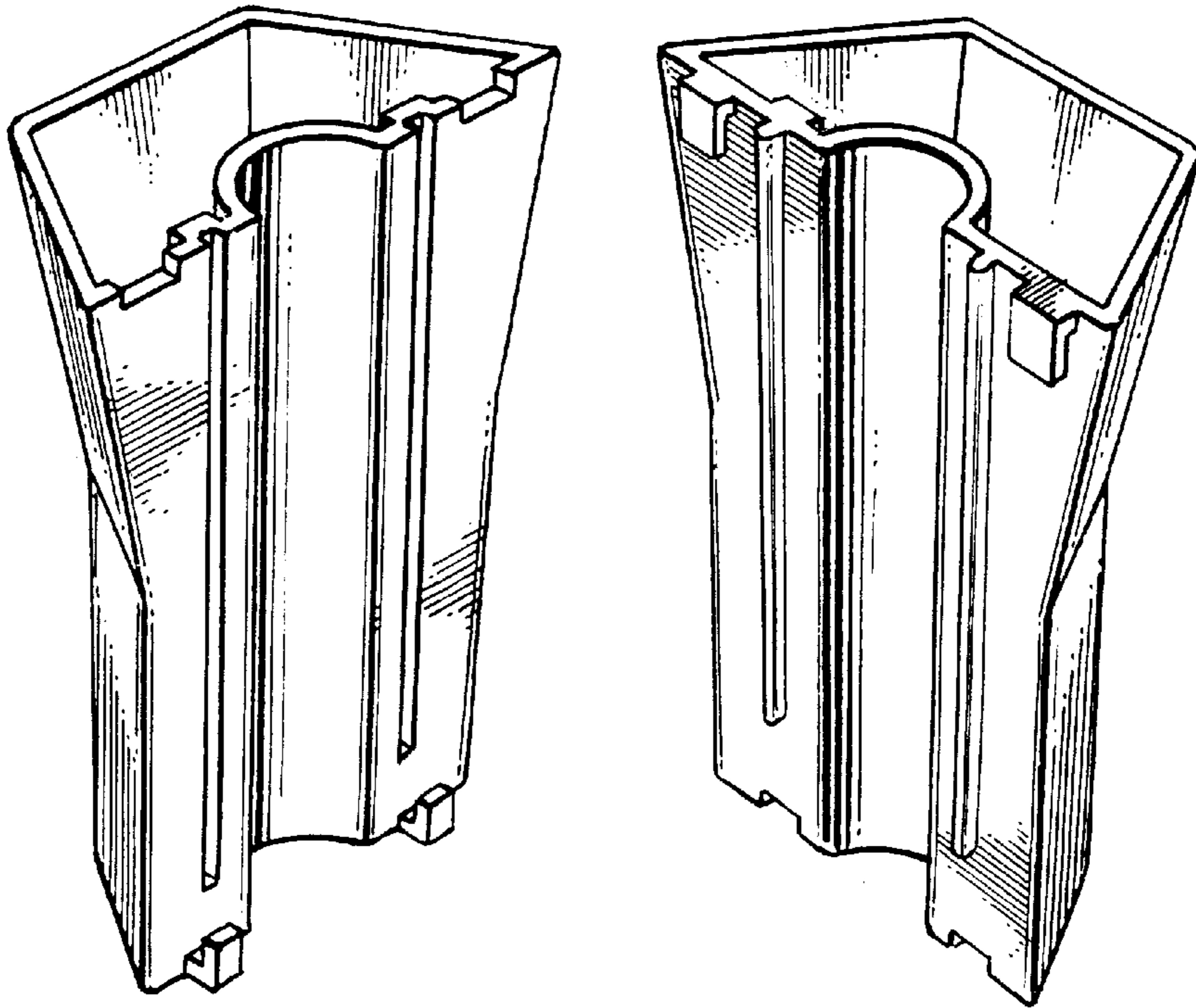


Fig. 3.

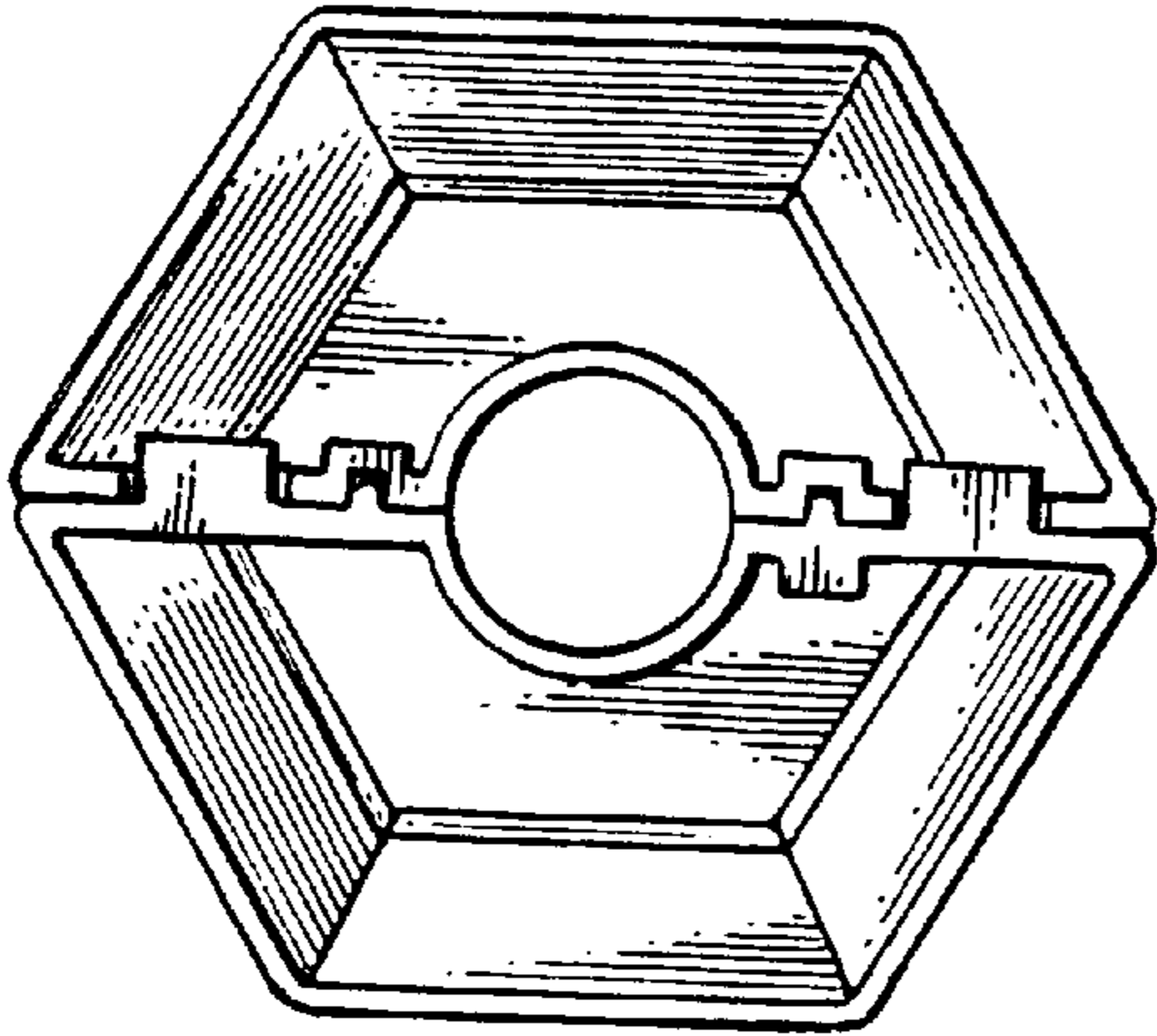


Fig. 6.

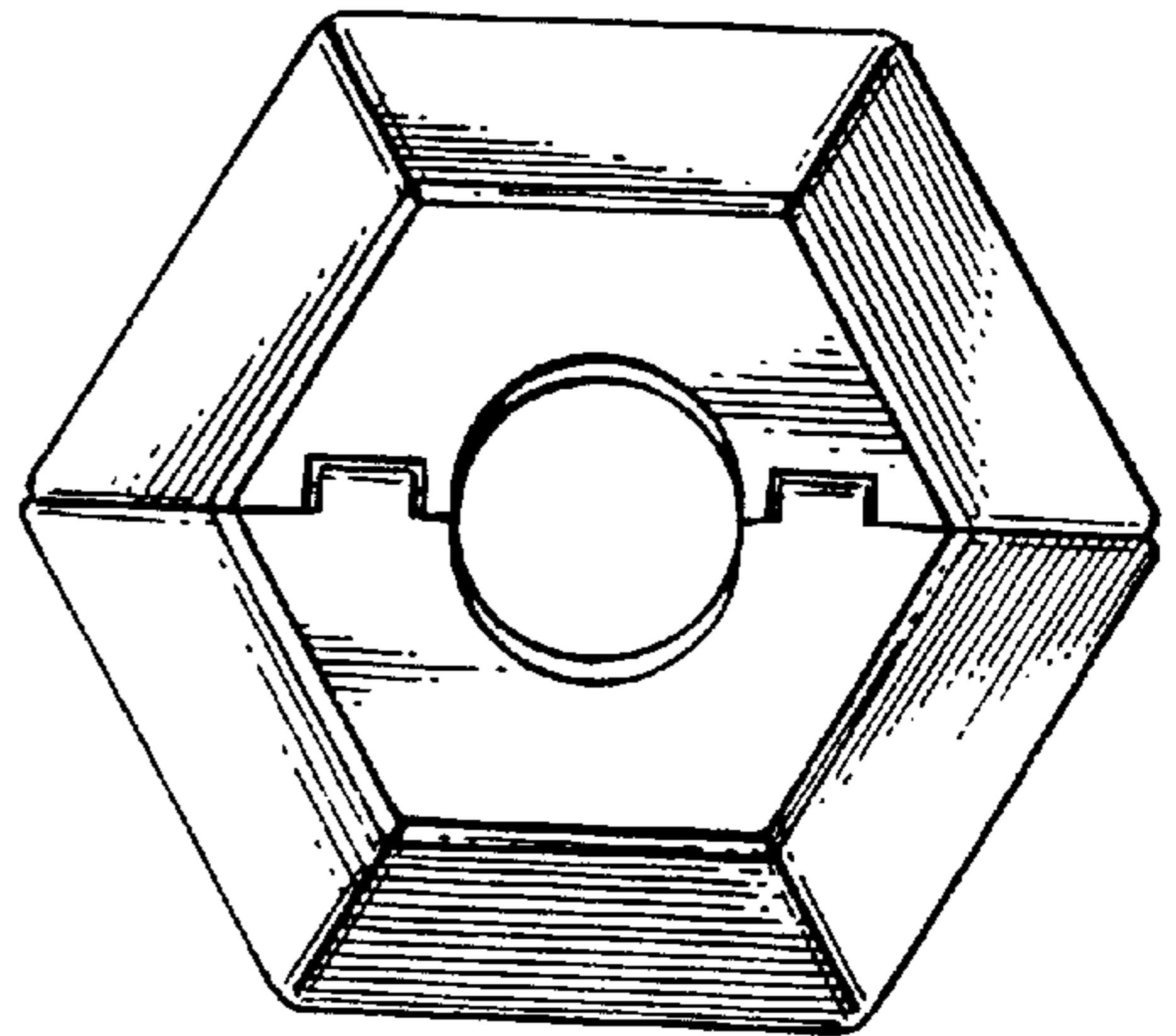


Fig. 4.

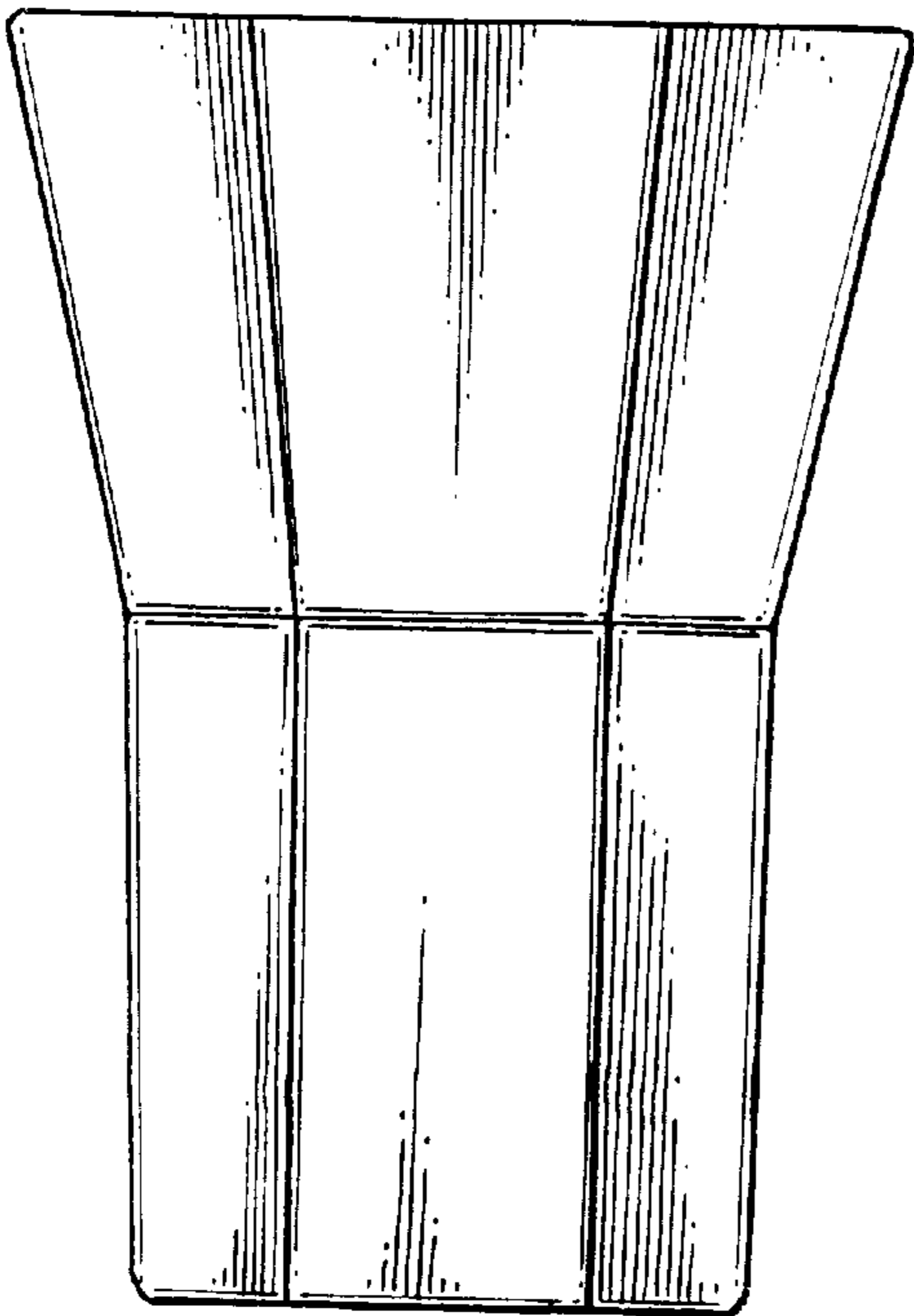


Fig. 5.

