

US00D409518S

United States Patent [19] Ho

[11] **Patent Number: Des. 409,518**

[45] **Date of Patent: ** May 11, 1999**

[54] **DIAMOND ARTICLE OF JEWELRY**

[75] Inventor: **Nelson Chi Kai Ho**, Hong Kong, China

[73] Assignee: **Nelson Jewellery Arts Company Ltd.**,
Kowloon, The Hong Kong Special
Administrative Region of the People's
Republic of China

[**] Term: **14 Years**

[21] Appl. No.: **29/089,832**

[22] Filed: **Jun. 24, 1998**

[51] **LOC (6) Cl.** **11-01**

[52] **U.S. Cl.** **D11/91; D11/40**

[58] **Field of Search** **D11/40, 41, 42,**
D11/43, 47, 89-91; 63/28, 1.1, 2, 3, 26

[56] **References Cited**

U.S. PATENT DOCUMENTS

22,797	9/1859	Powers et al.	D11/90
57,218	3/1866	Eliasoff et al.	D11/89
D. 67,450	6/1925	Faigin	D11/47
D. 88,265	11/1932	Stern	D11/91
D. 135,780	6/1943	Levy	D11/76
D. 147,214	7/1947	Dawer	D11/40
D. 199,363	10/1964	Katz	D11/89
D. 387,300	12/1997	Morrison	D11/40
1,238,721	8/1917	Birnbaum et al.	63/28
2,600,319	6/1952	Postel	63/29.1

Primary Examiner—Ralf Seifert
Attorney, Agent, or Firm—Alex, Yale & Ristas, LLP

[57] **CLAIM**

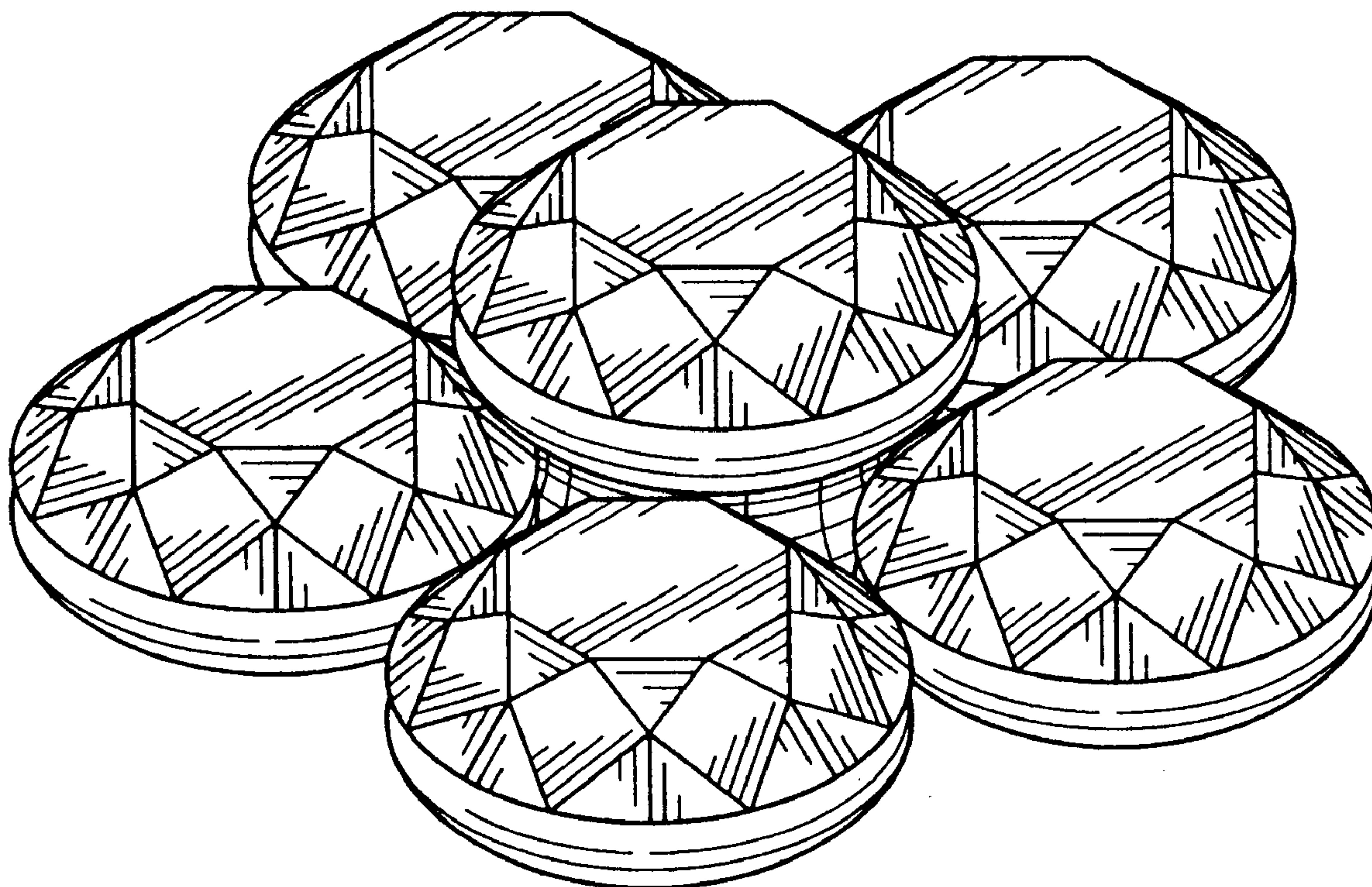
The ornamental design for a diamond article of jewelry, as shown and described.

DESCRIPTION

FIG. 1 is front perspective view of a diamond article of jewelry showing my new design;
 FIG. 2 is a top plan view;
 FIG. 3 is a bottom plan view;
 FIG. 4 is a right side elevational view;
 FIG. 5 is a left side elevational view;
 FIG. 6 is a top plan view;
 FIG. 7 is a bottom plan view;
 FIG. 8 is a perspective view shown as part of an earring;
 FIG. 9 is a perspective view shown as part of a finger ring;
 FIG. 10 is a perspective view shown as part of a pendant;
 FIG. 11 is a top plan view shown as part of a bracelet;
 FIG. 12 is a side elevational view shown as part of a bracelet or necklace;
 FIG. 13 is a bottom plan view of FIG. 12; and,
 FIG. 14 is a top plan view shown as part of a necklace.

The broken line showing of an earring stem and fastner in FIG. 8, ring in FIG. 9, pendant loop in FIG. 10, and additional articles of jewelry in FIGS. 11 through 14 are for illustrative purposes only and forms no part of the claimed design.

1 Claim, 9 Drawing Sheets



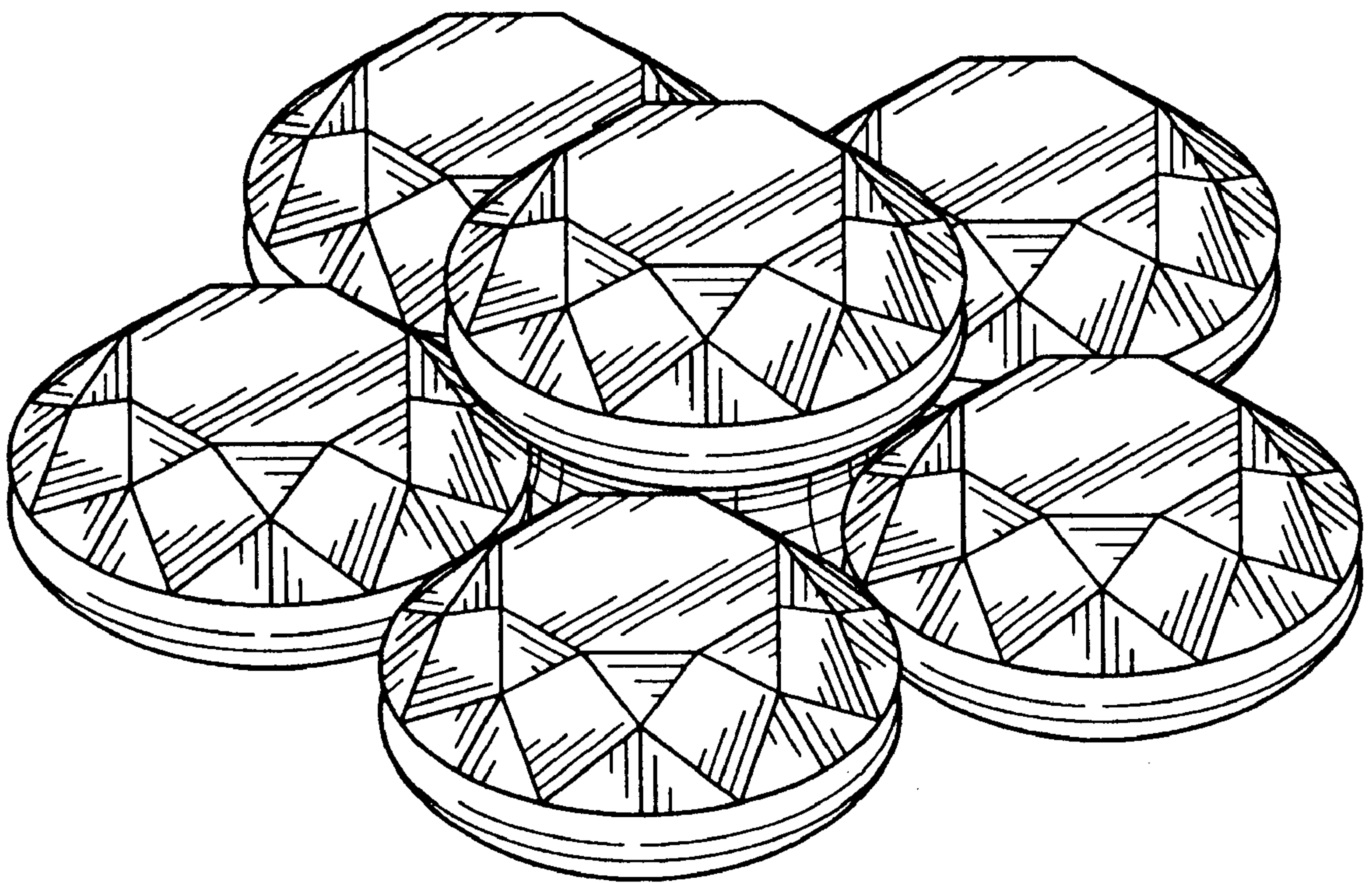


FIG. 1

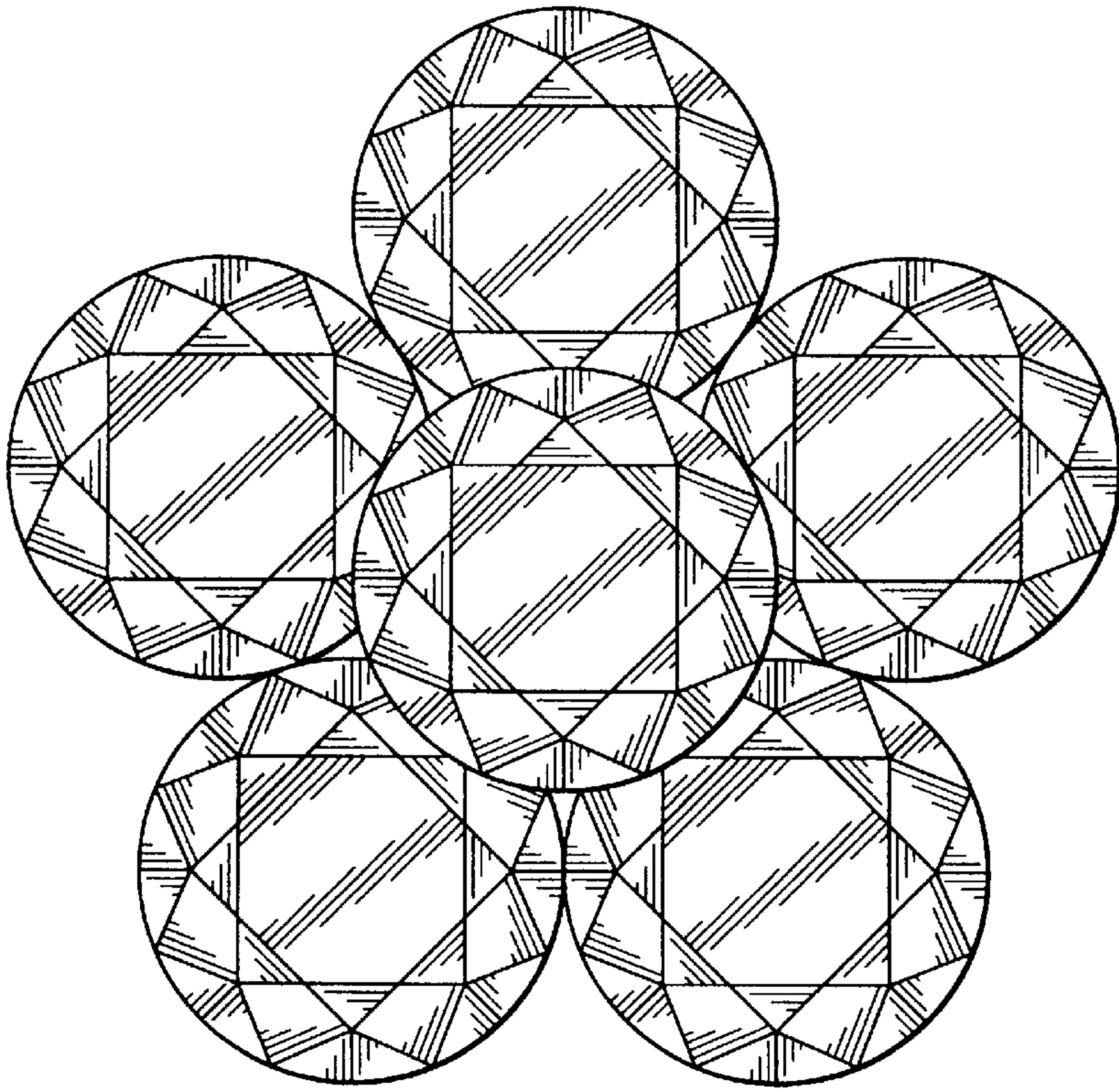


FIG. 2

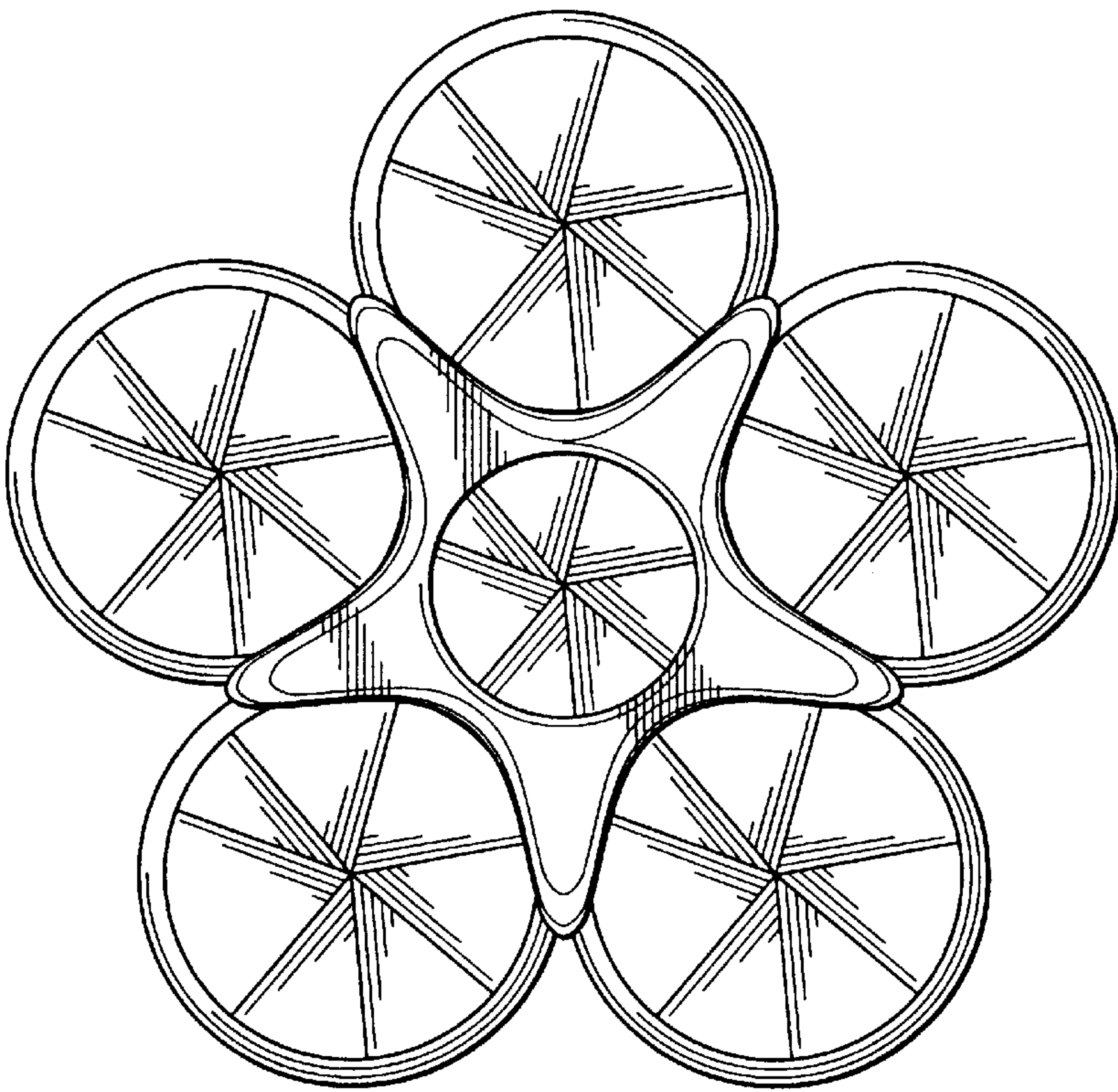


FIG. 3

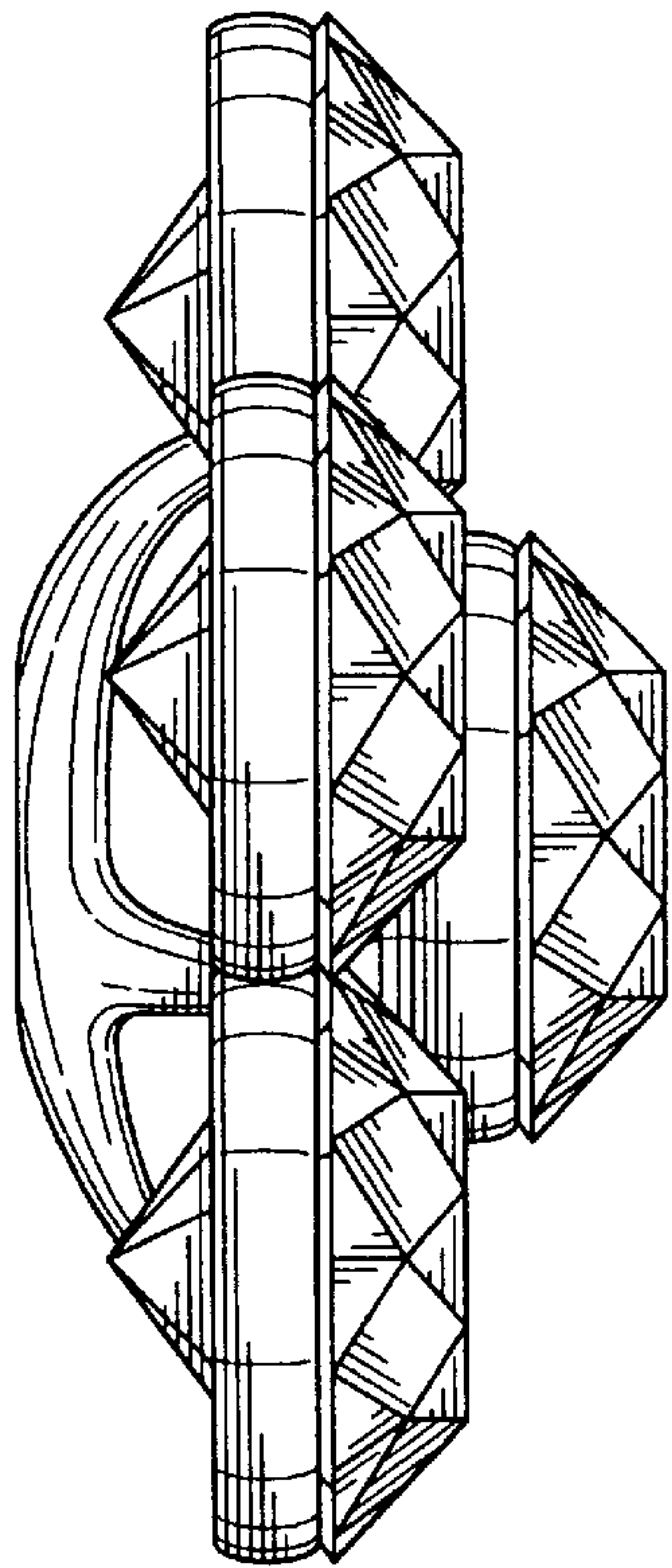


FIG. 4

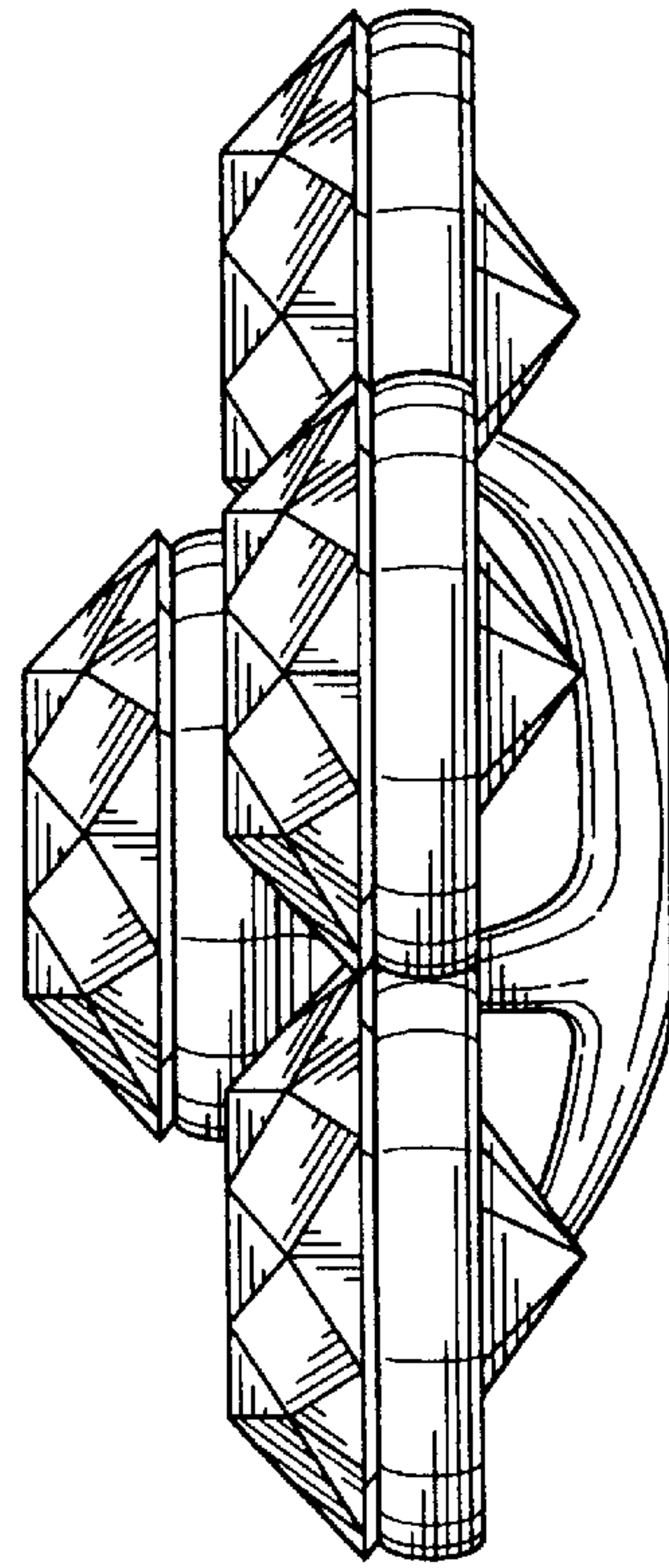


FIG. 5

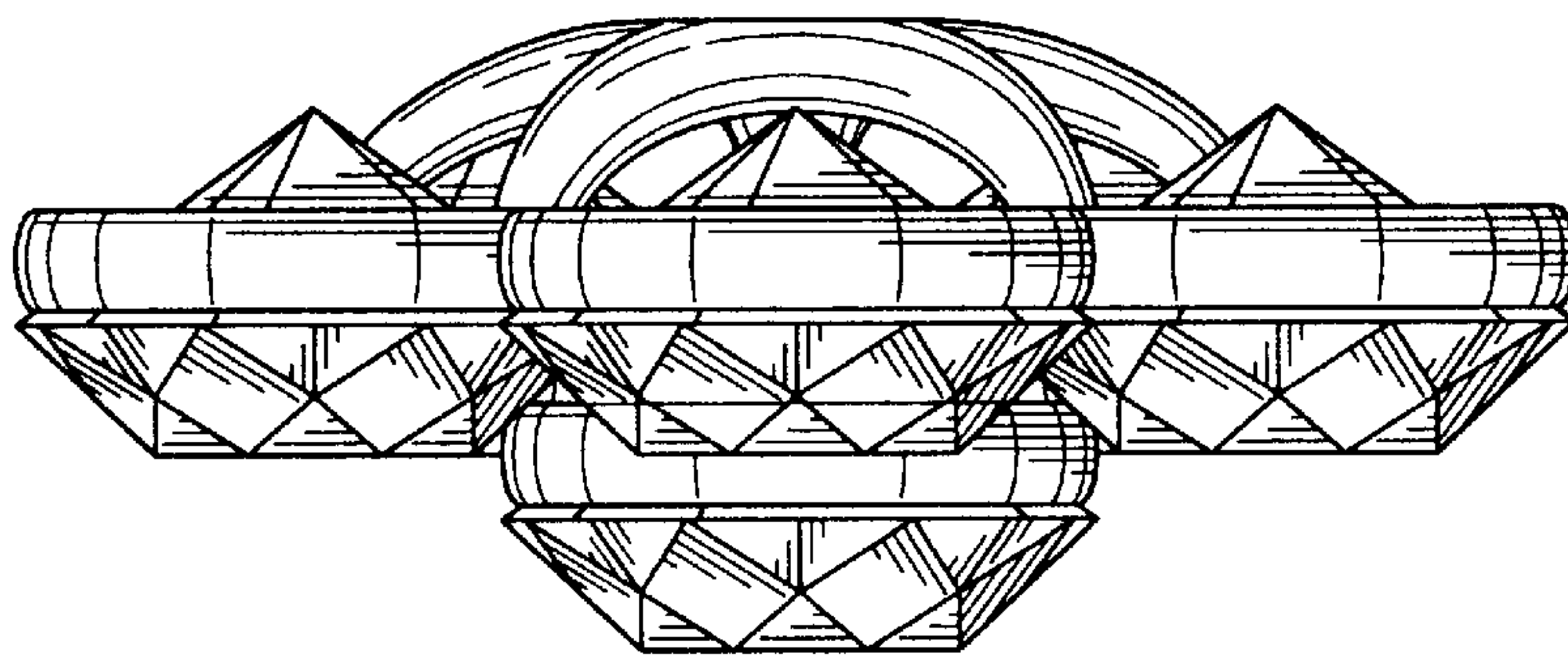


FIG. 6

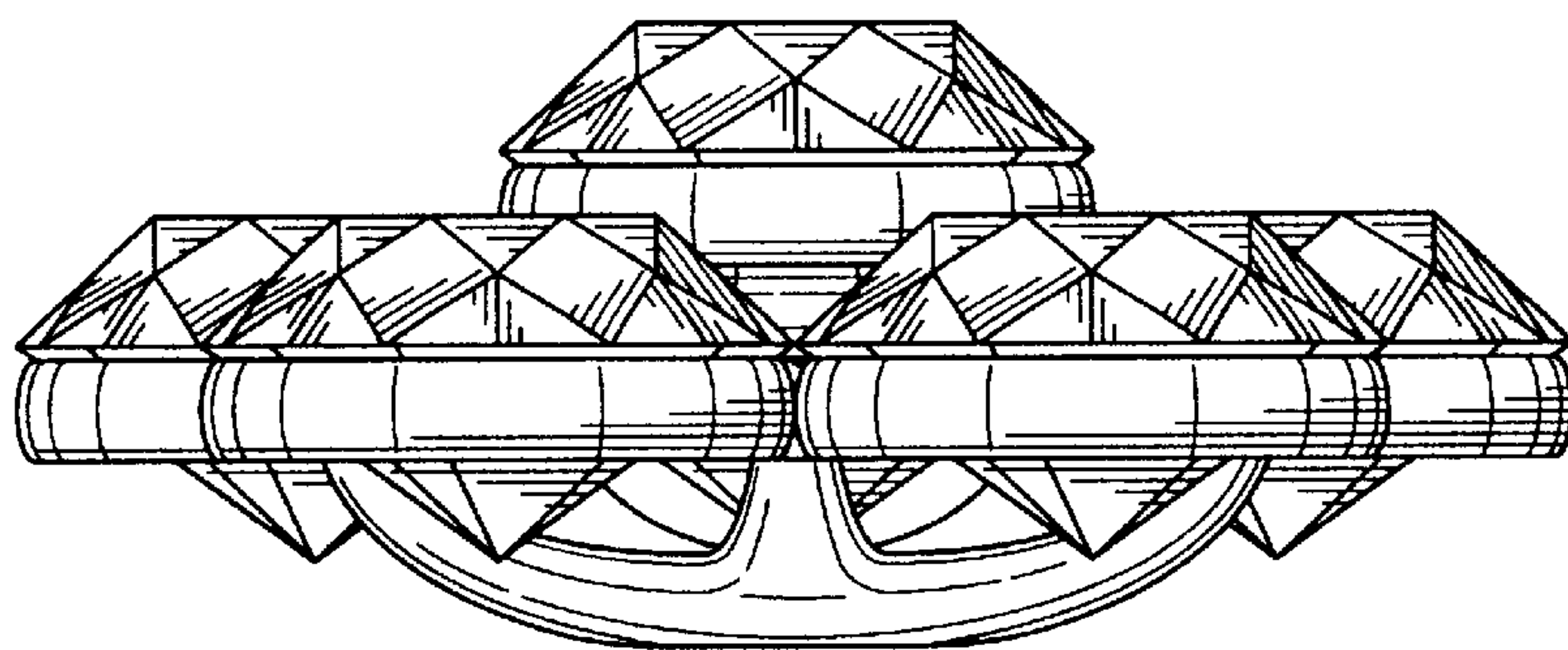


FIG. 7

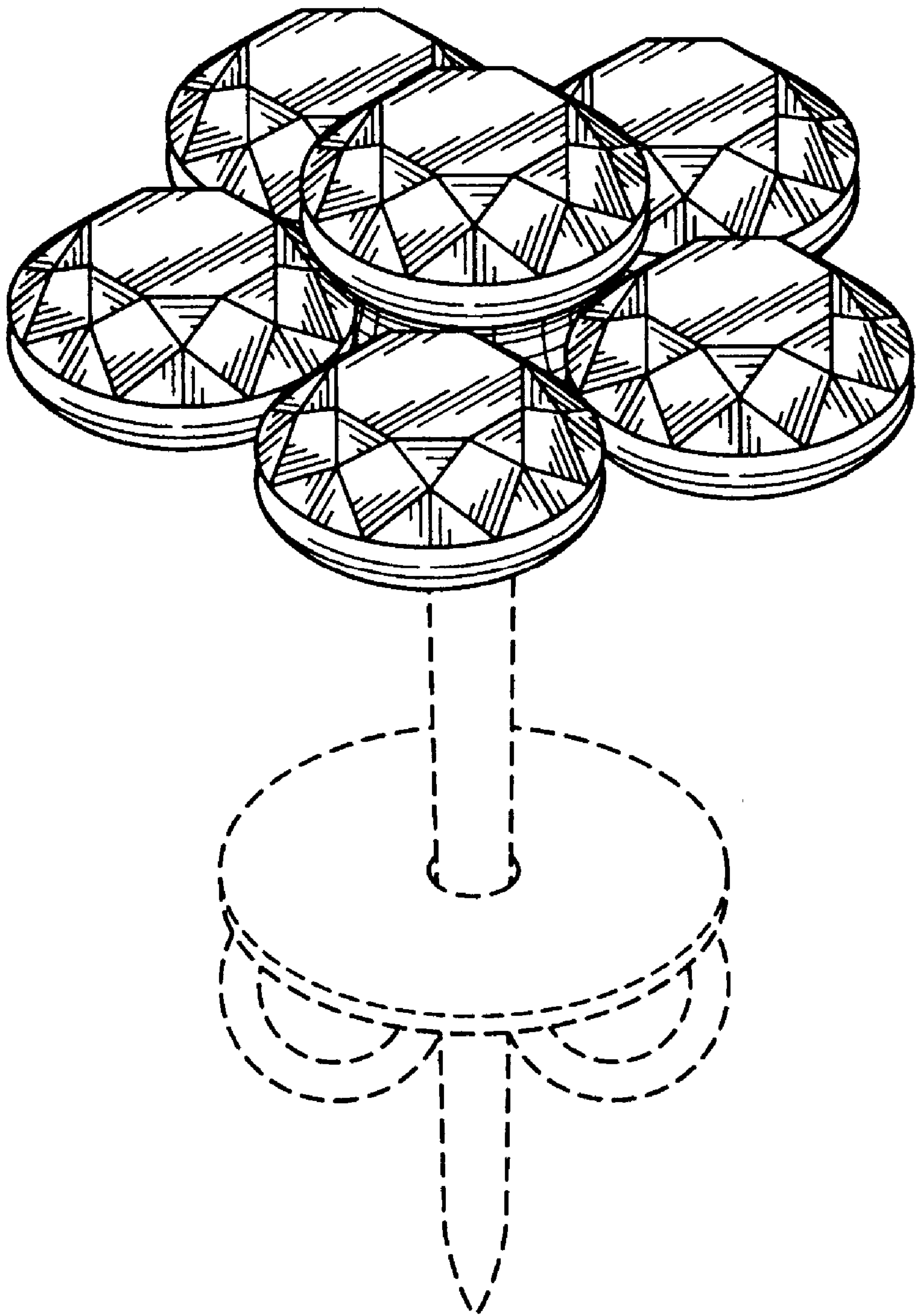


FIG. 8

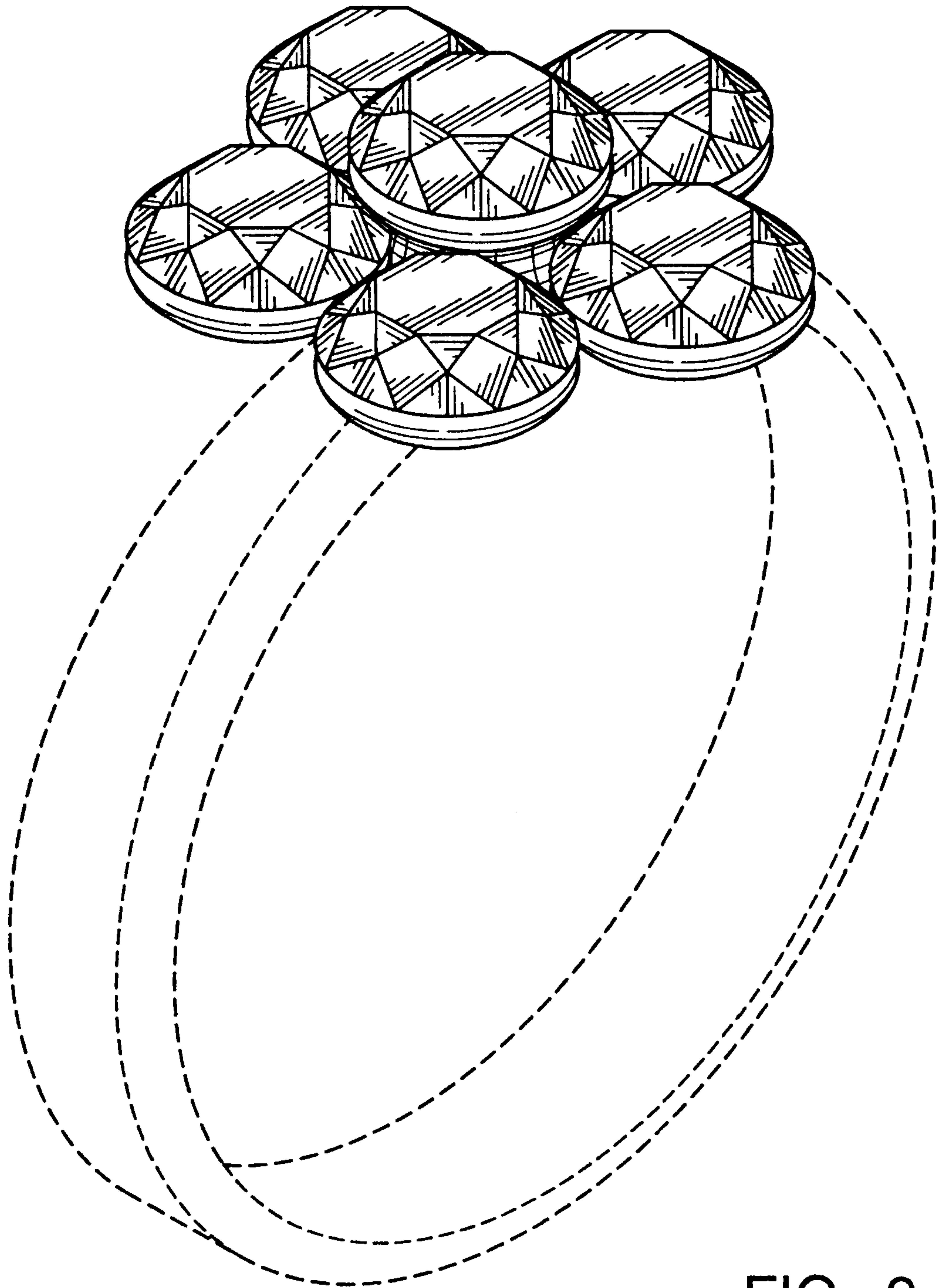


FIG. 9

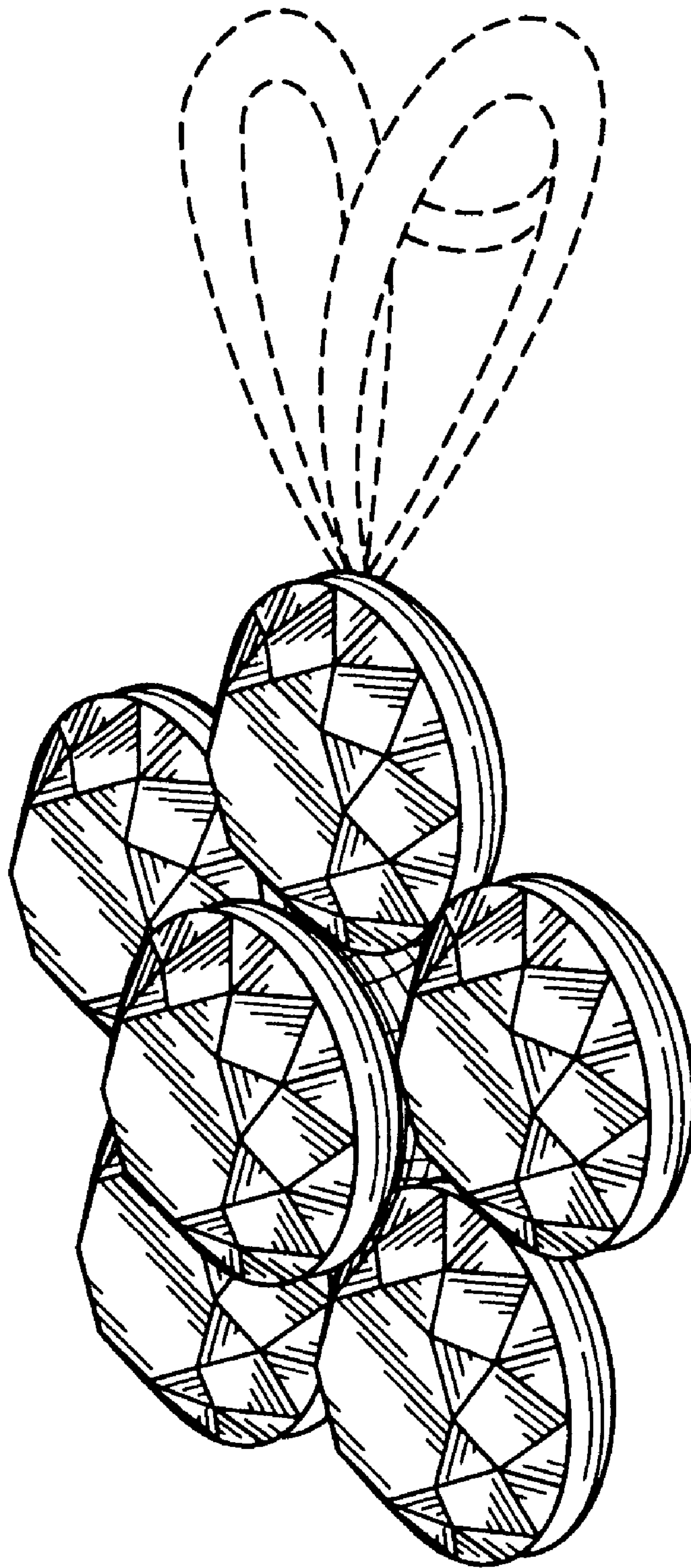


FIG. 10

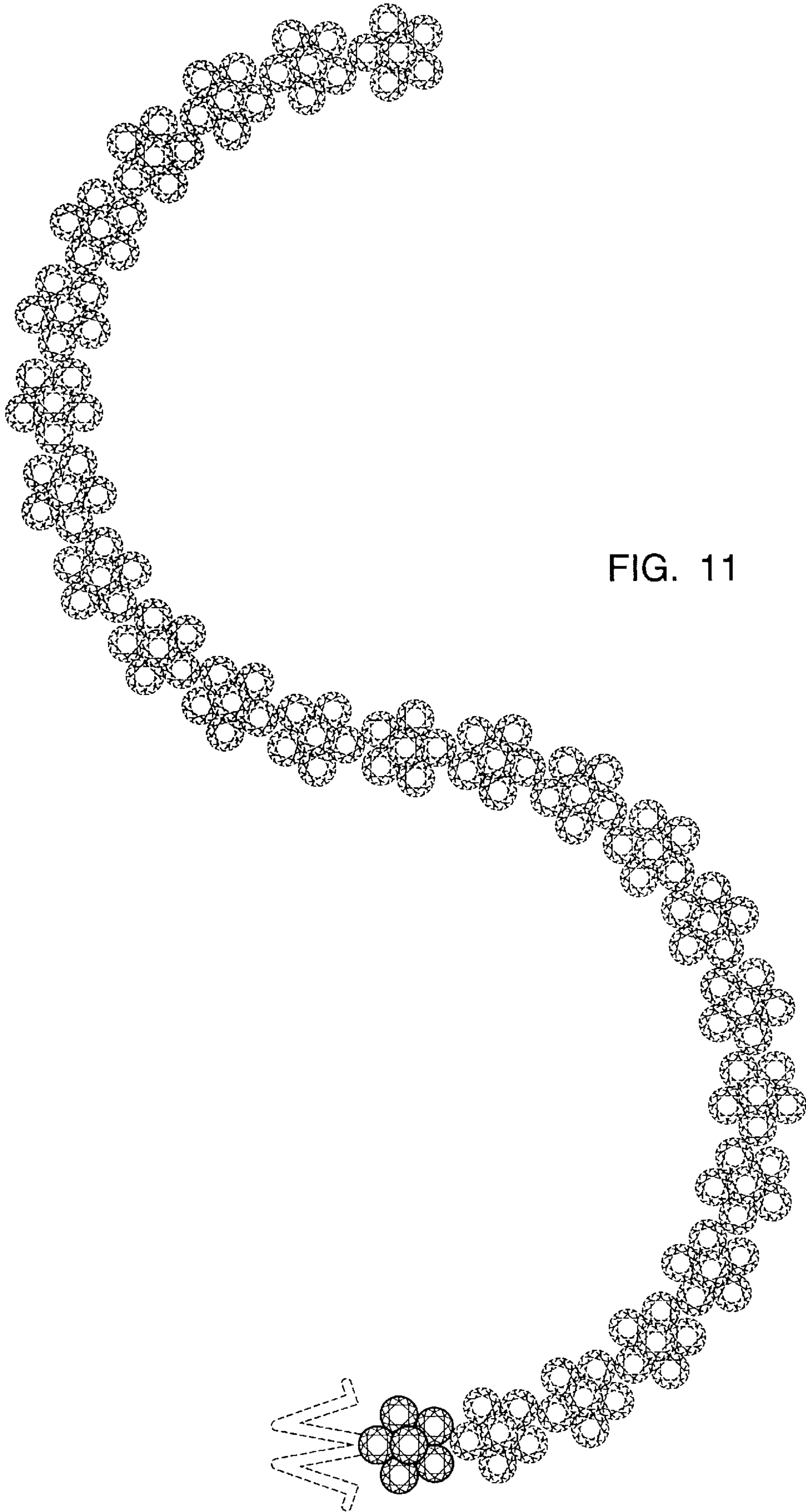


FIG. 11

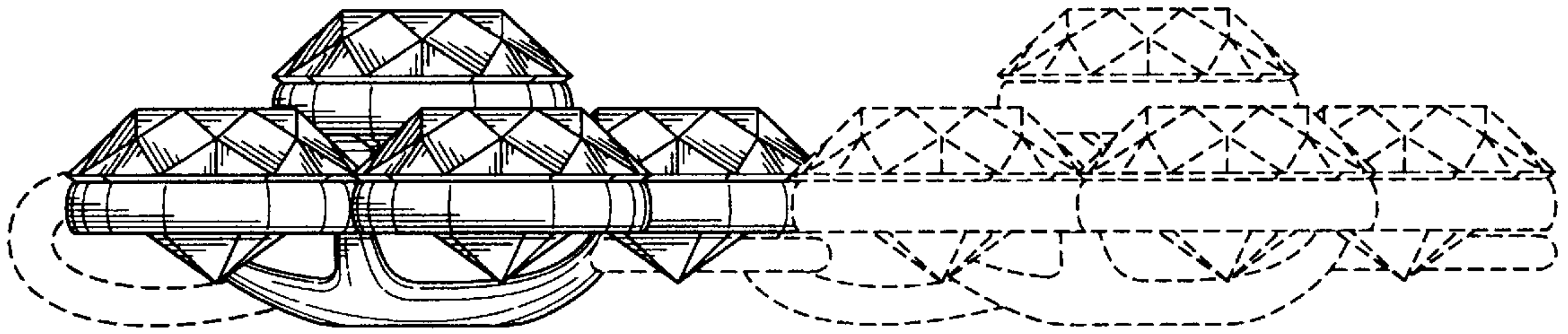


FIG. 12

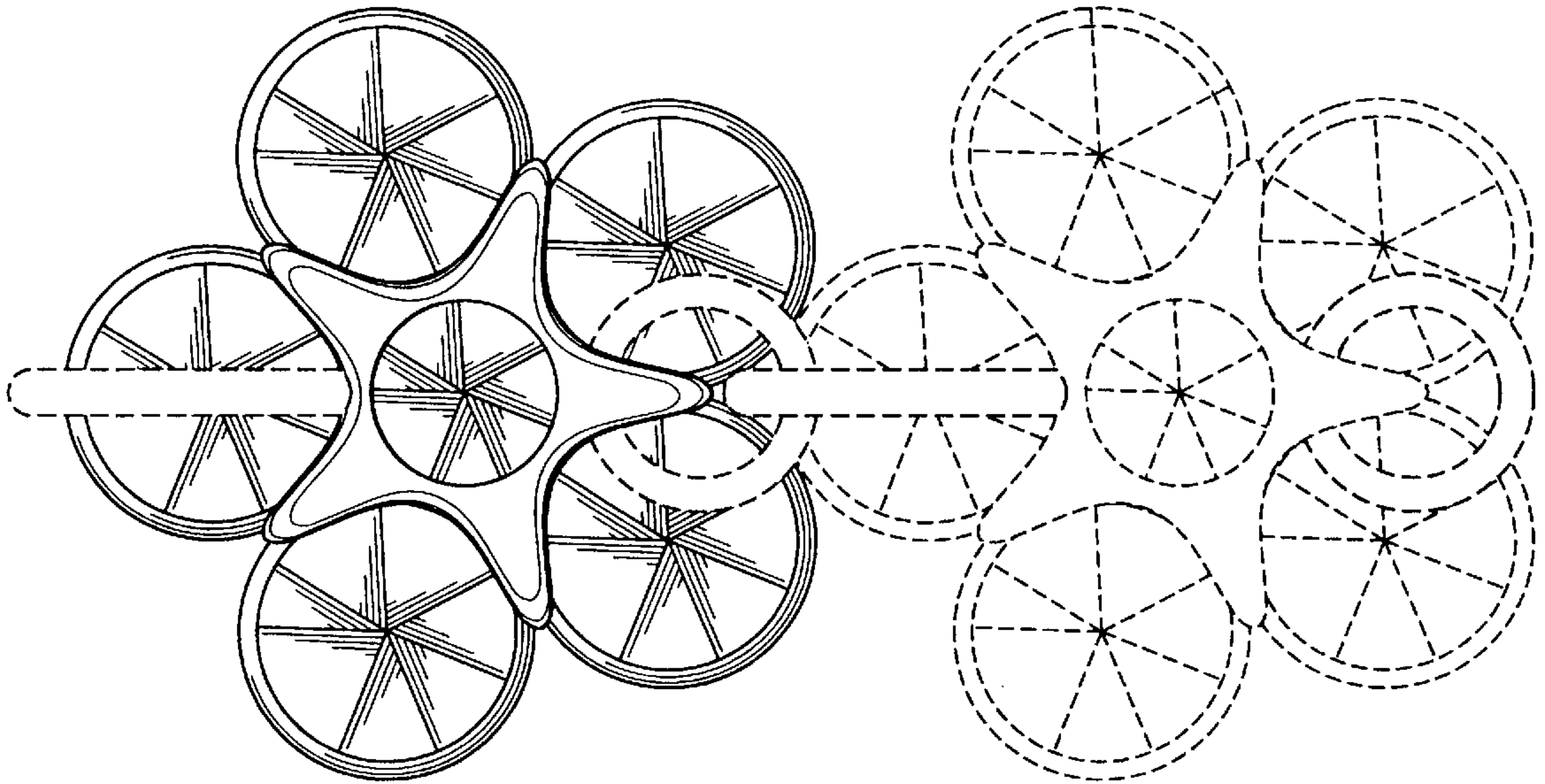


FIG. 13

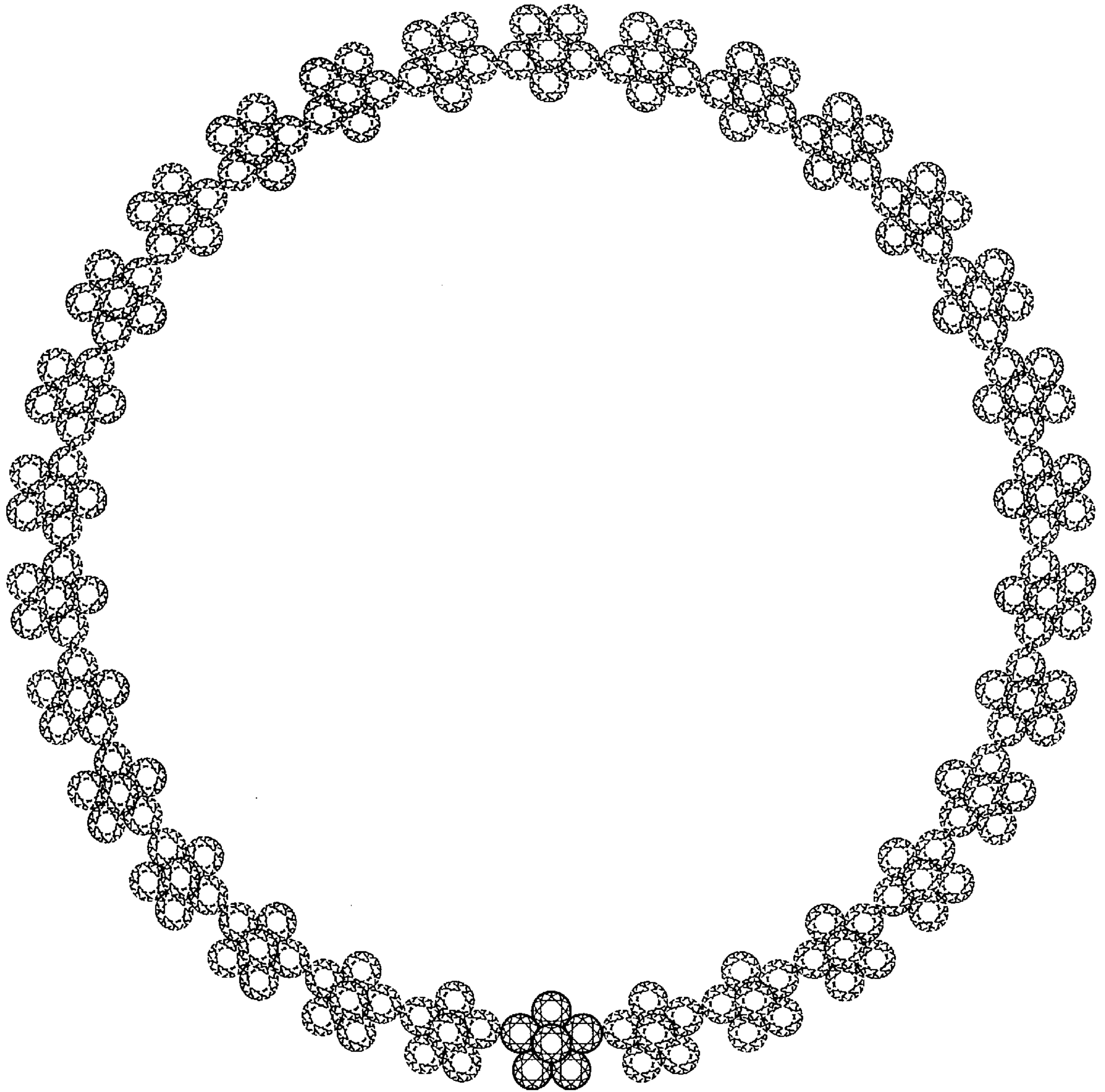


FIG. 14