



US00D409514S

United States Patent [19] Ch

[11] **Patent Number: Des. 409,514**

[45] **Date of Patent: ** May 11, 1999**

[54] **EMERGENCY ALARM**

D. 391,512 3/1998 Ch D10/106
D. 400,460 11/1998 Ch D10/106

[76] Inventor: **Mick Ch**, No. 18, Lane 201, Chungho Street, Chupei, Hsinchu Shien, Taiwan

Primary Examiner—Marcus A. Jackson
Attorney, Agent, or Firm—Rosenberg, Klein & Bilker

[**] Term: **14 Years**

[57] **CLAIM**

[21] Appl. No.: **29/092,054**

The ornamental design for an emergency alarm, as shown and described.

[22] Filed: **Aug. 11, 1998**

DESCRIPTION

[51] **LOC (6) Cl.** **10-05**

[52] **U.S. Cl.** **D10/106**

[58] **Field of Search** D10/104, 106,
D10/116, 120, 121; 340/384.1, 384.3, 384.7,
388.1, 390.1, 391.1, 391.2, 392.2, 392.4

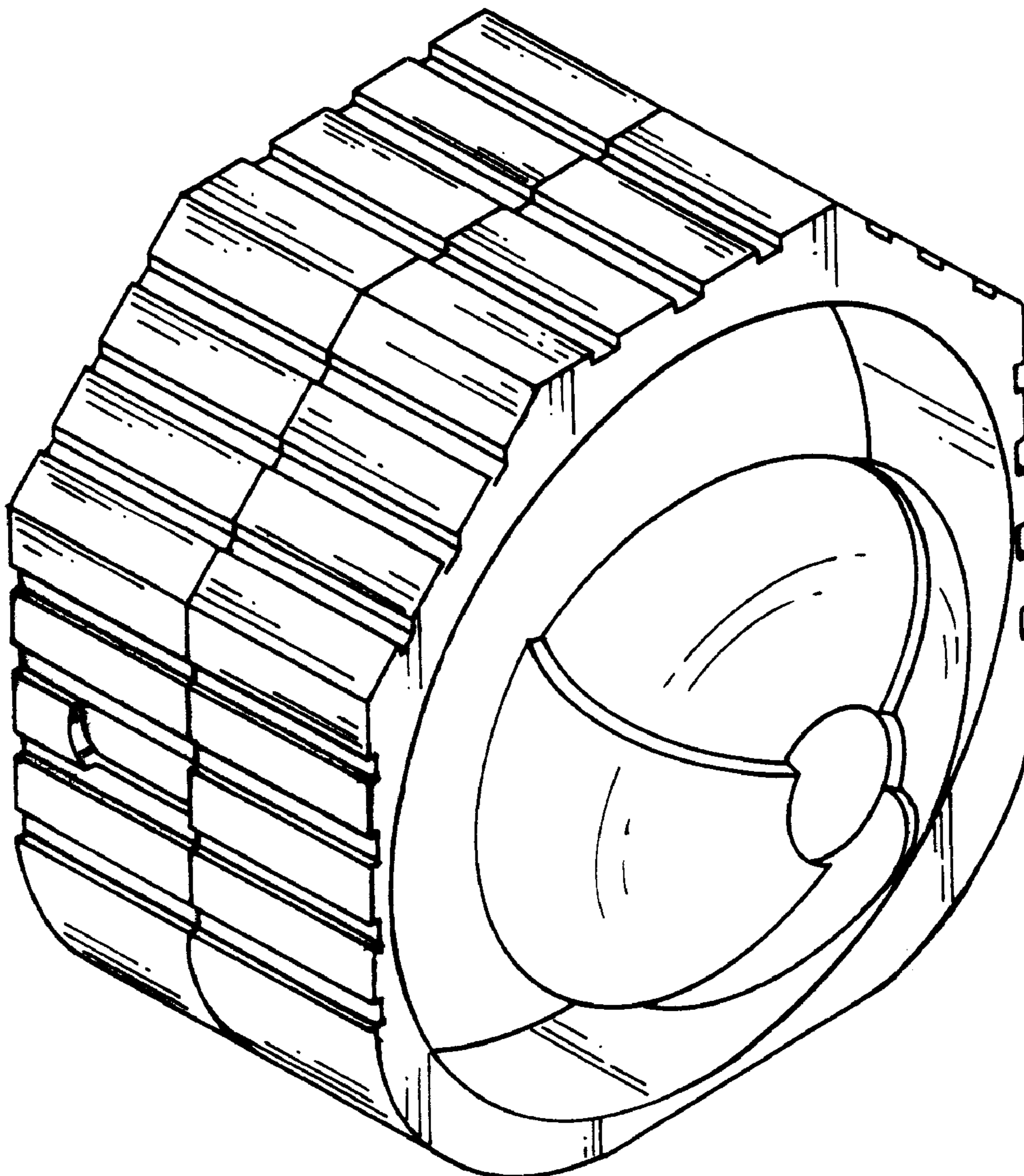
FIG. 1 is a perspective view of an emergency alarm showing my new design;
FIG. 2 is a front elevational view thereof;
FIG. 3 is a rear elevational view thereof;
FIG. 4 is a top plan view thereof;
FIG. 5 is a bottom plan view thereof;
FIG. 6 is a left side elevational view thereof; and,
FIG. 7 is a right side elevational view thereof.

[56] **References Cited**

U.S. PATENT DOCUMENTS

D. 309,440 7/1990 Arduini et al. D10/120
D. 382,221 8/1997 Chen D10/120

1 Claim, 4 Drawing Sheets



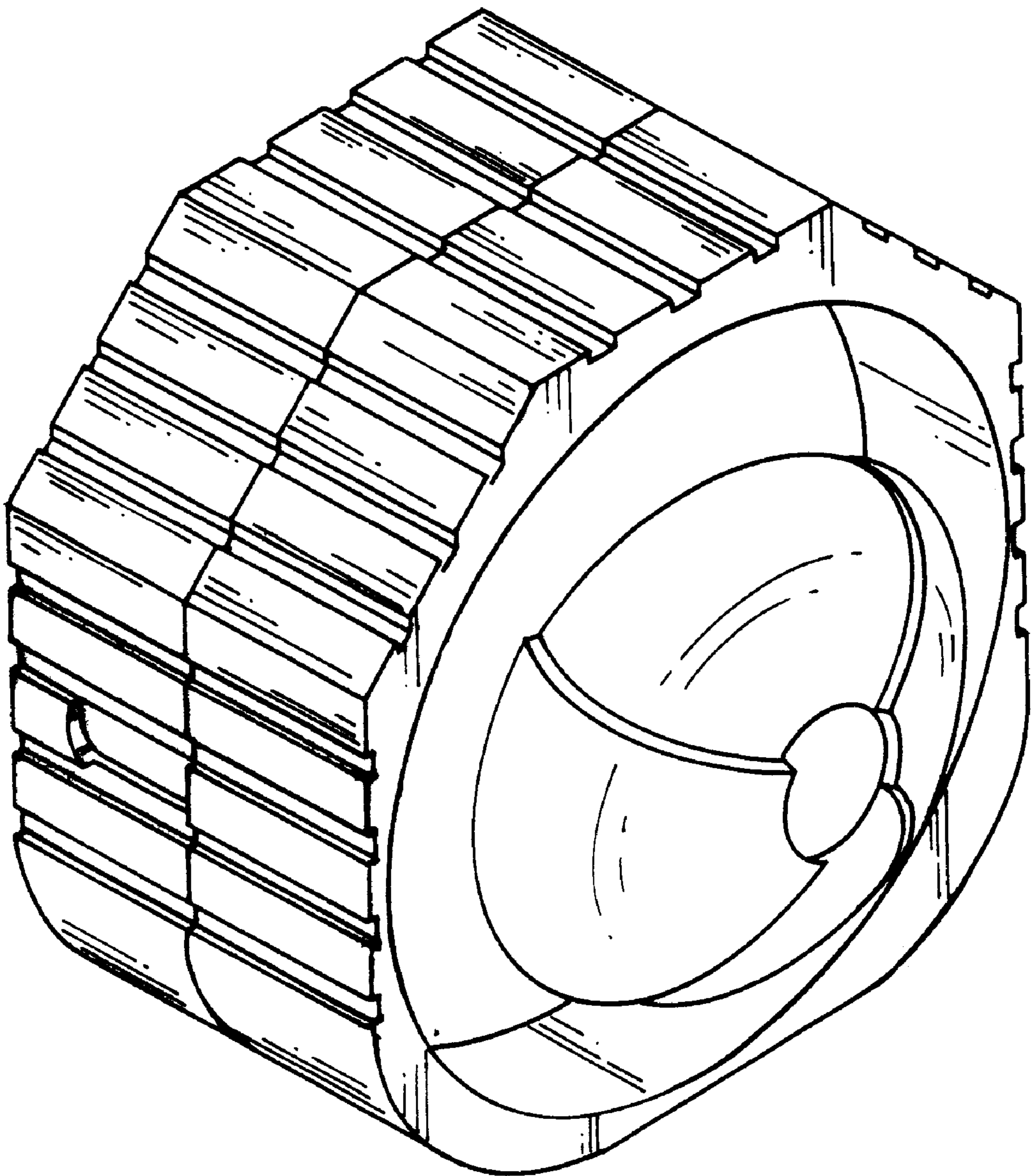


FIG. 1

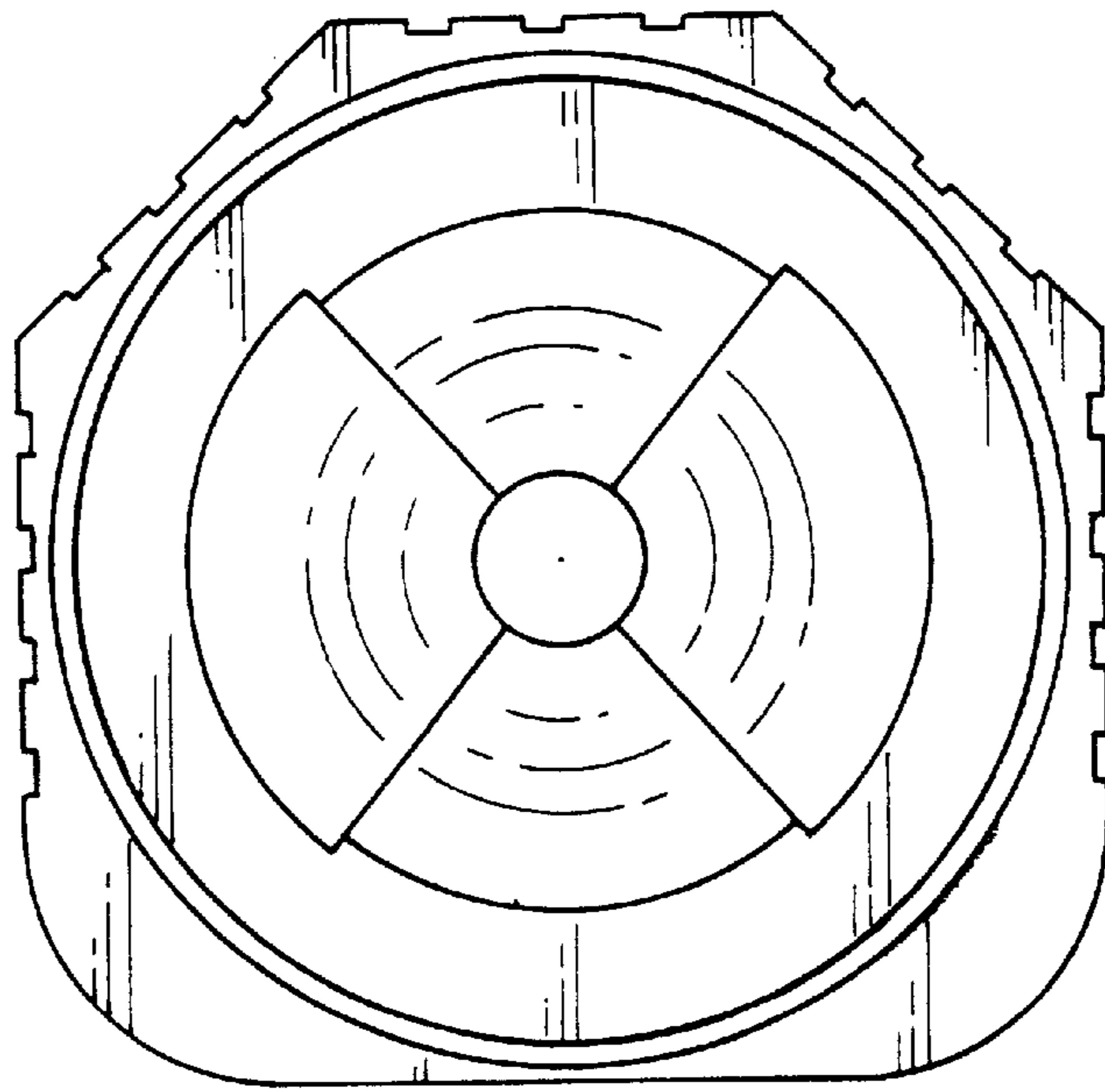


FIG. 2

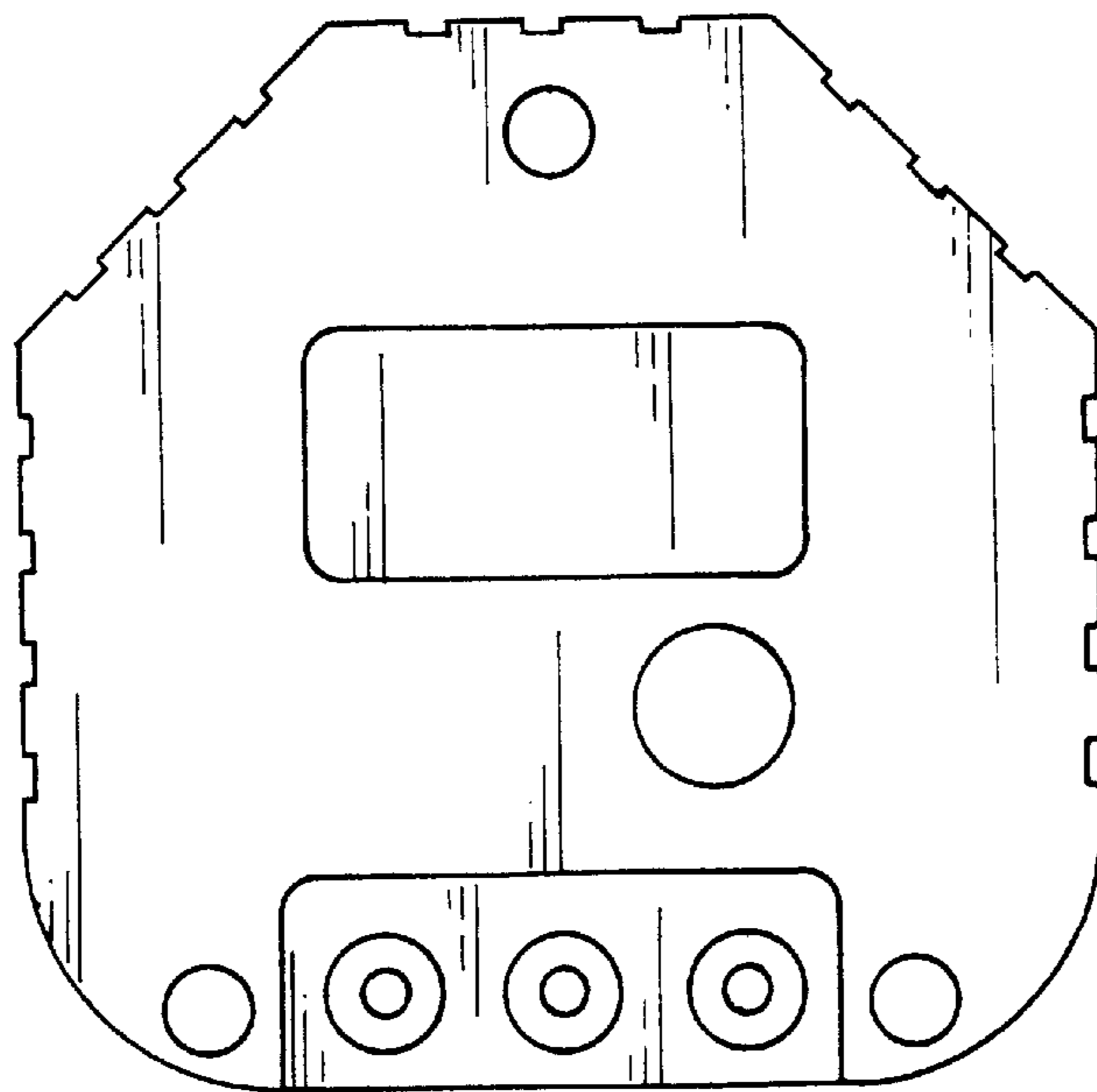


FIG. 3

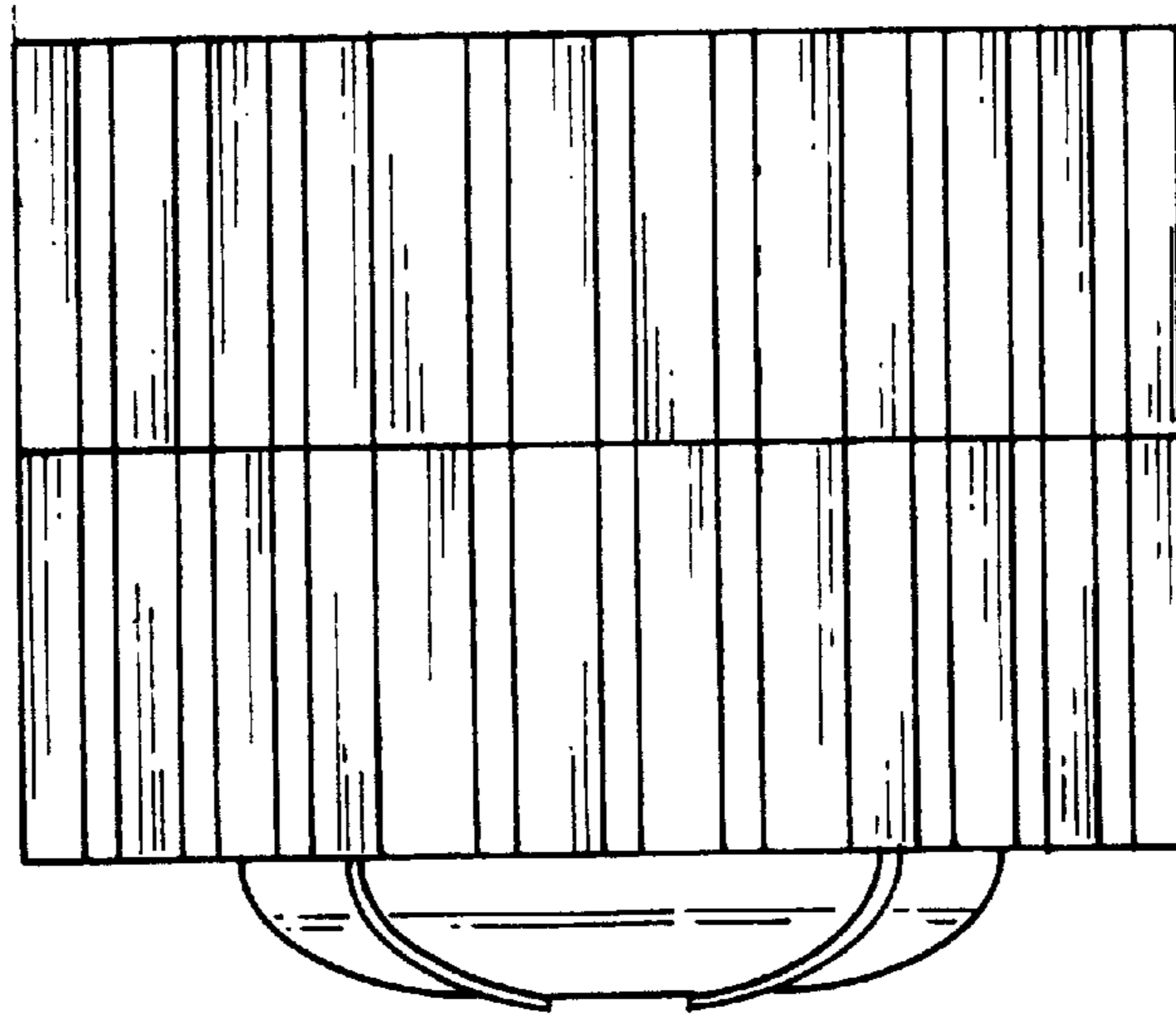


FIG. 4

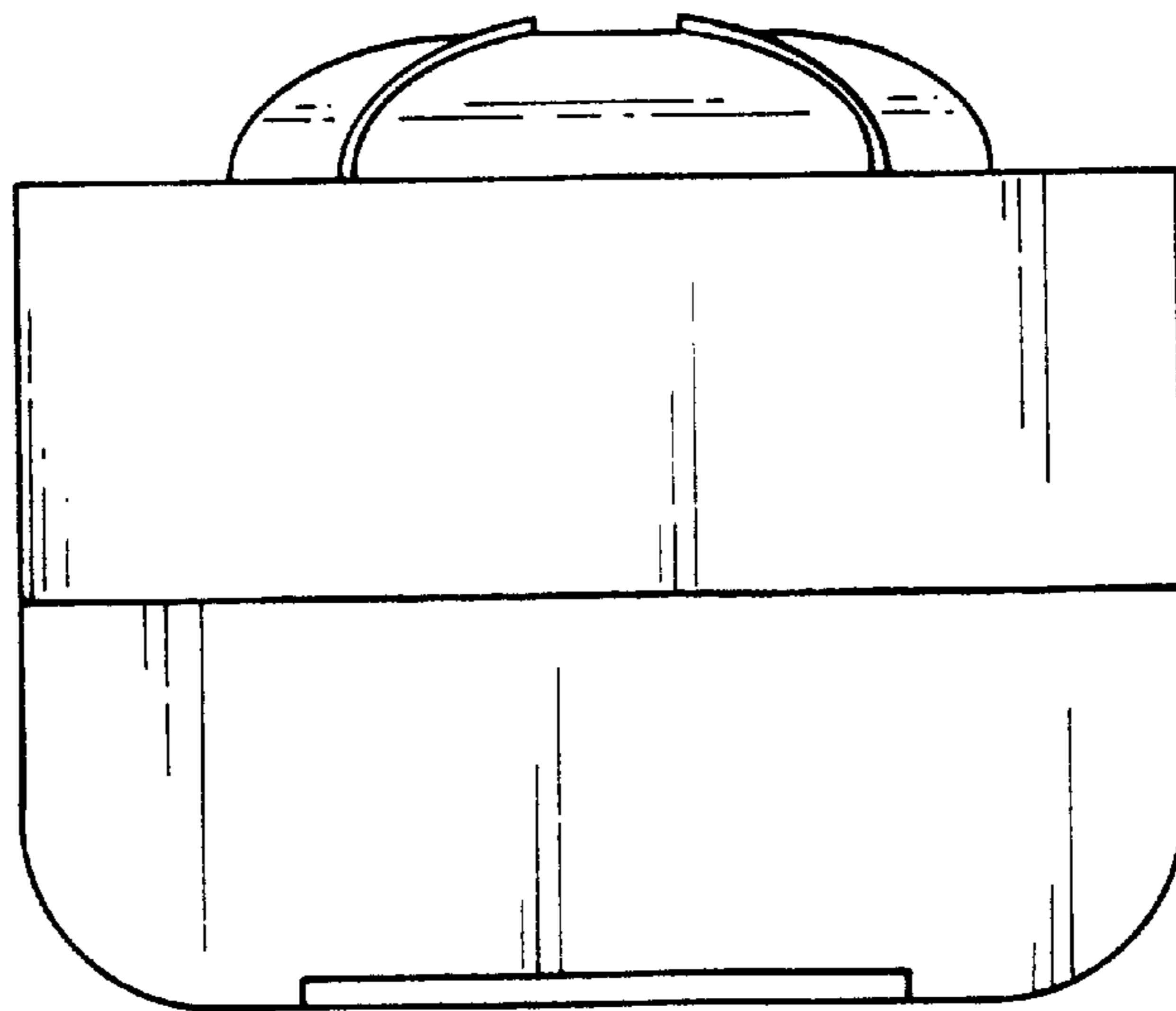


FIG. 5

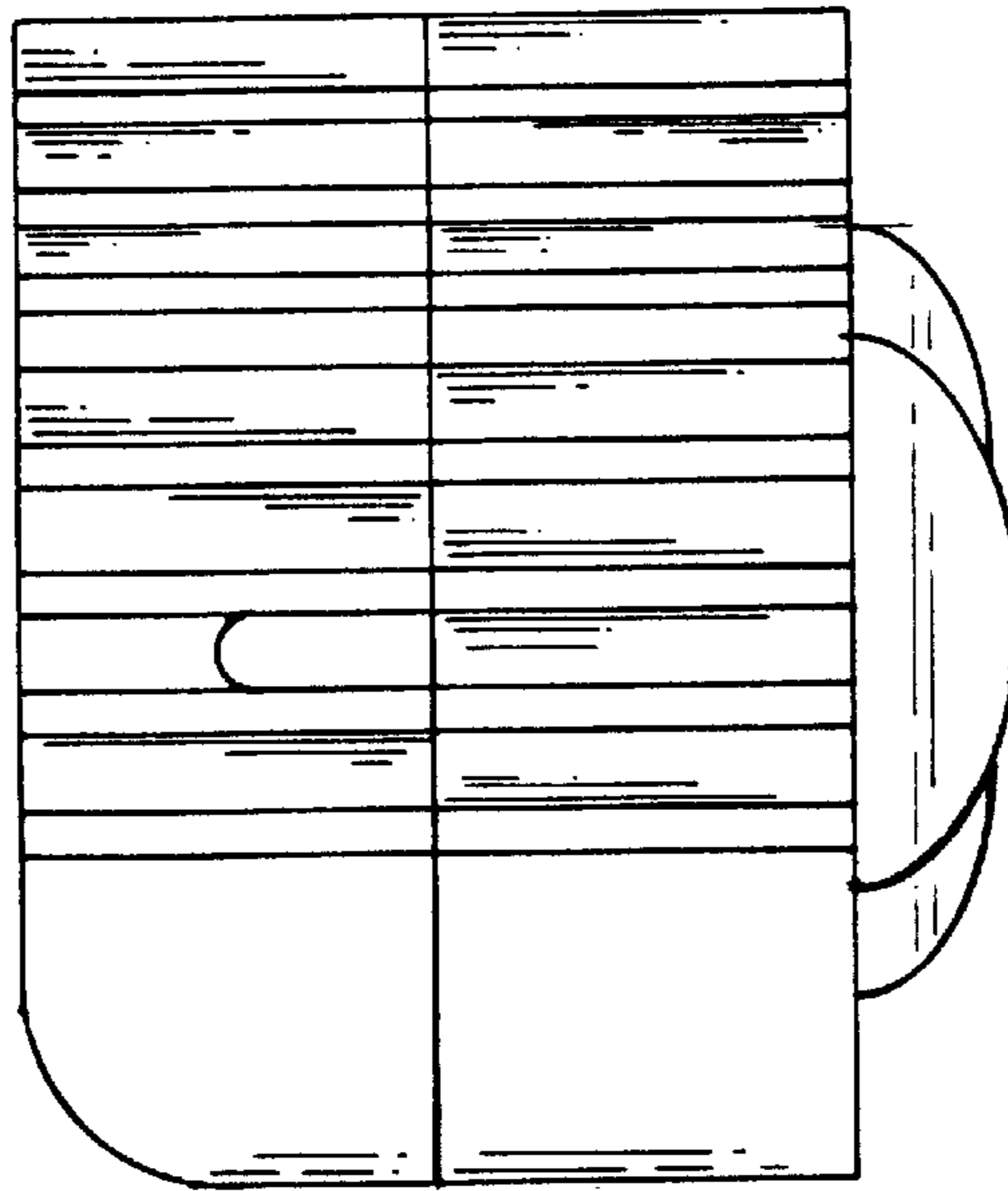


FIG. 6

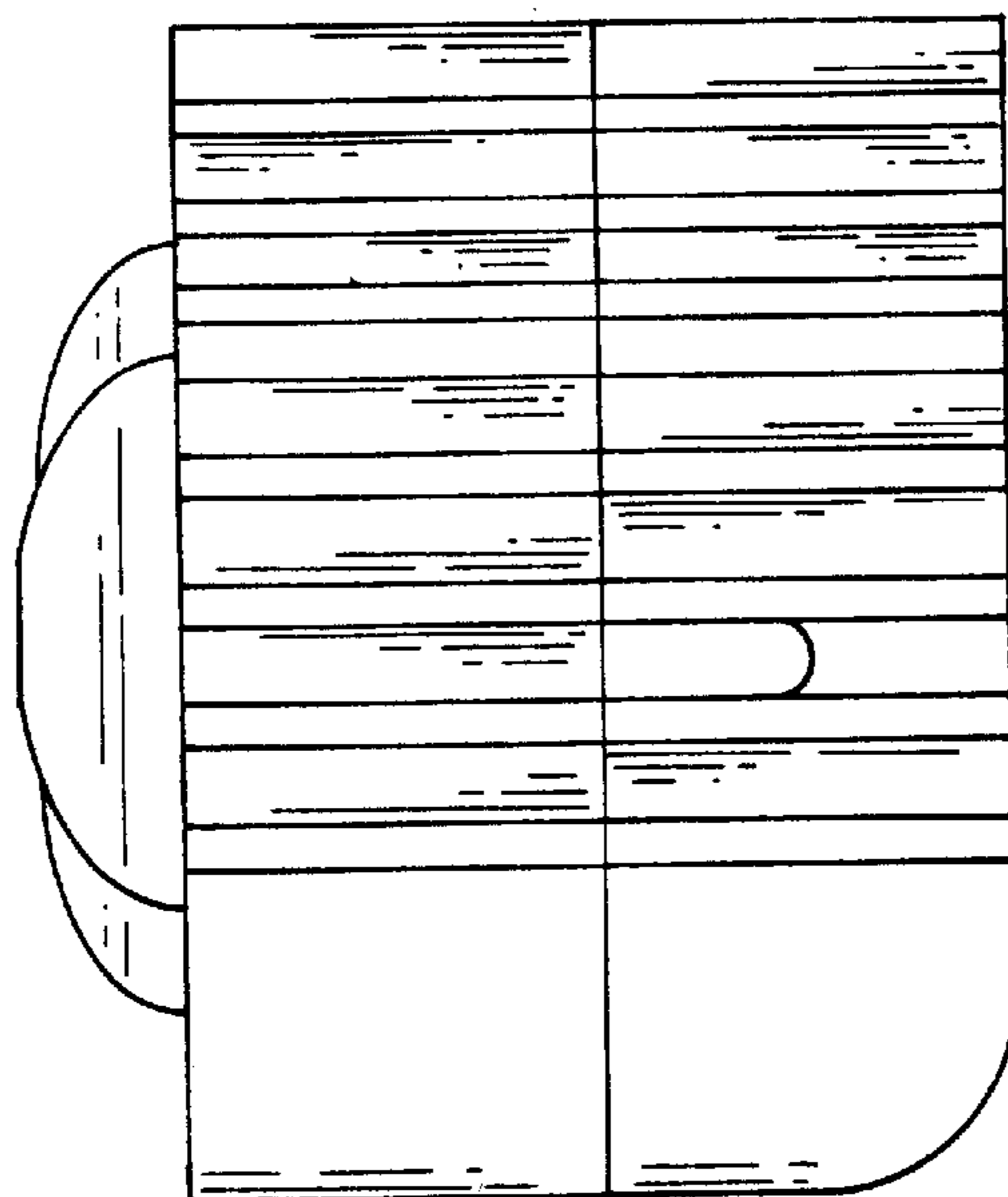


FIG. 7