

US00D409513S

# United States Patent [19] Ch

[11] **Patent Number: Des. 409,513**

[45] **Date of Patent: \*\* May 11, 1999**

[54] **EMERGENCY ALARM**

D. 391,512 3/1998 Chu ..... D10/106  
D. 400,460 11/1998 Ch ..... D10/106

[76] Inventor: **Mick Ch**, No. 18, Lane 201, Chungho Street, Chupei, Hsinchu Shien, Taiwan

*Primary Examiner*—Marcus A. Jackson  
*Attorney, Agent, or Firm*—Rosenberg, Klein & Bilker

[\*\*] Term: **14 Years**

### [57] CLAIM

[21] Appl. No.: **29/092,053**

The ornamental design for an emergency alarm, as shown and described.

[22] Filed: **Aug. 11, 1998**

### DESCRIPTION

[51] **LOC (6) Cl.** ..... **10-05**

[52] **U.S. Cl.** ..... **D10/106**

[58] **Field of Search** ..... D10/104, 106,  
D10/116, 120, 121; 340/384.1, 384.3, 384.7,  
388.1, 390.1, 391.1, 391.2, 392.1, 392.2,  
392.4

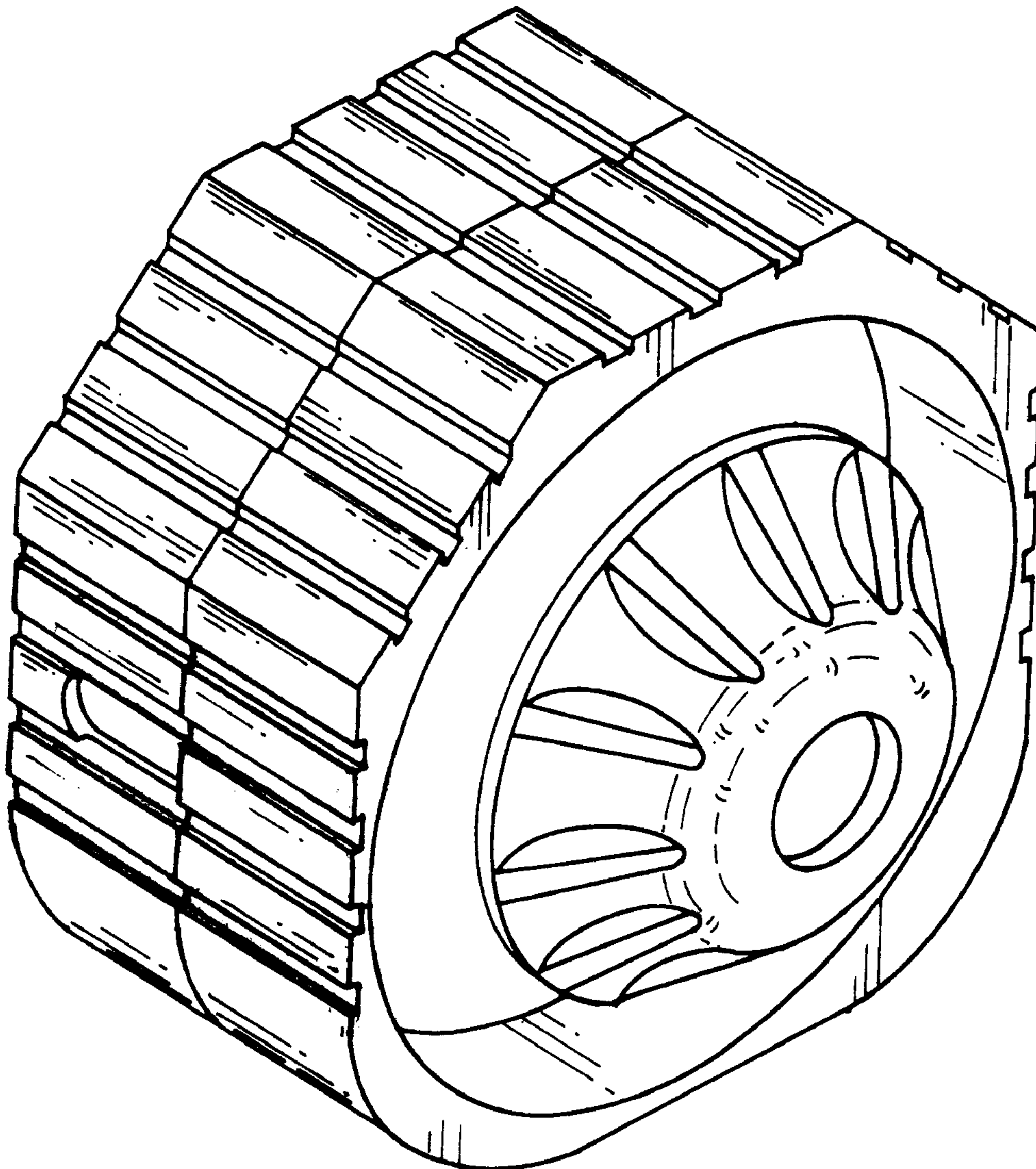
FIG. 1 is a perspective view of an emergency alarm showing my new design;  
FIG. 2 is a front elevational view thereof;  
FIG. 3 is a rear elevational view thereof;  
FIG. 4 is a top plan view thereof;  
FIG. 5 is a bottom plan view thereof;  
FIG. 6 is a left side elevational view thereof; and,  
FIG. 7 is a right side elevational view thereof.

### [56] References Cited

#### U.S. PATENT DOCUMENTS

D. 309,440 7/1990 Arduimi et al. .... D10/120  
D. 382,221 8/1997 Chen ..... D10/120

**1 Claim, 4 Drawing Sheets**



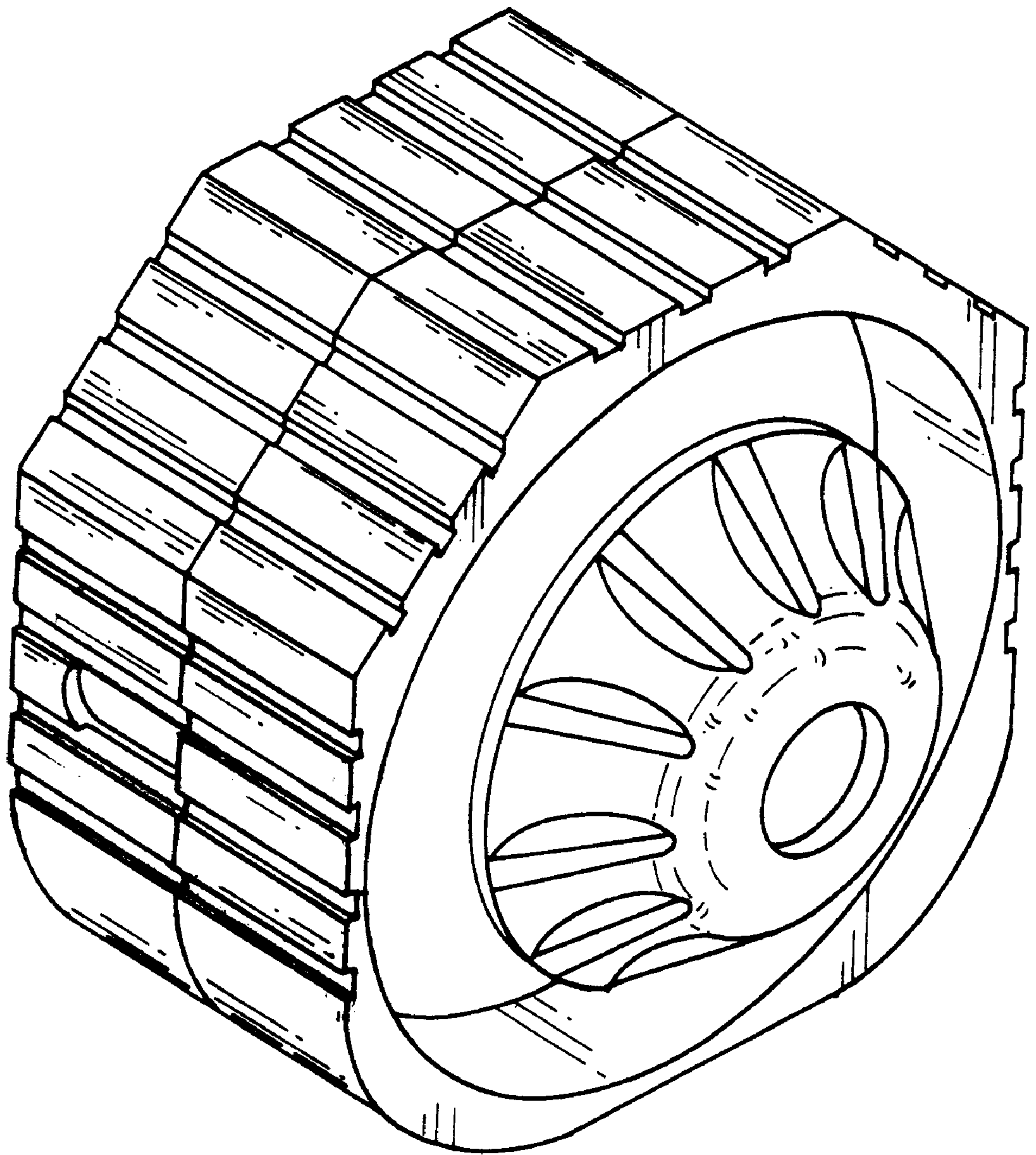


FIG. 1

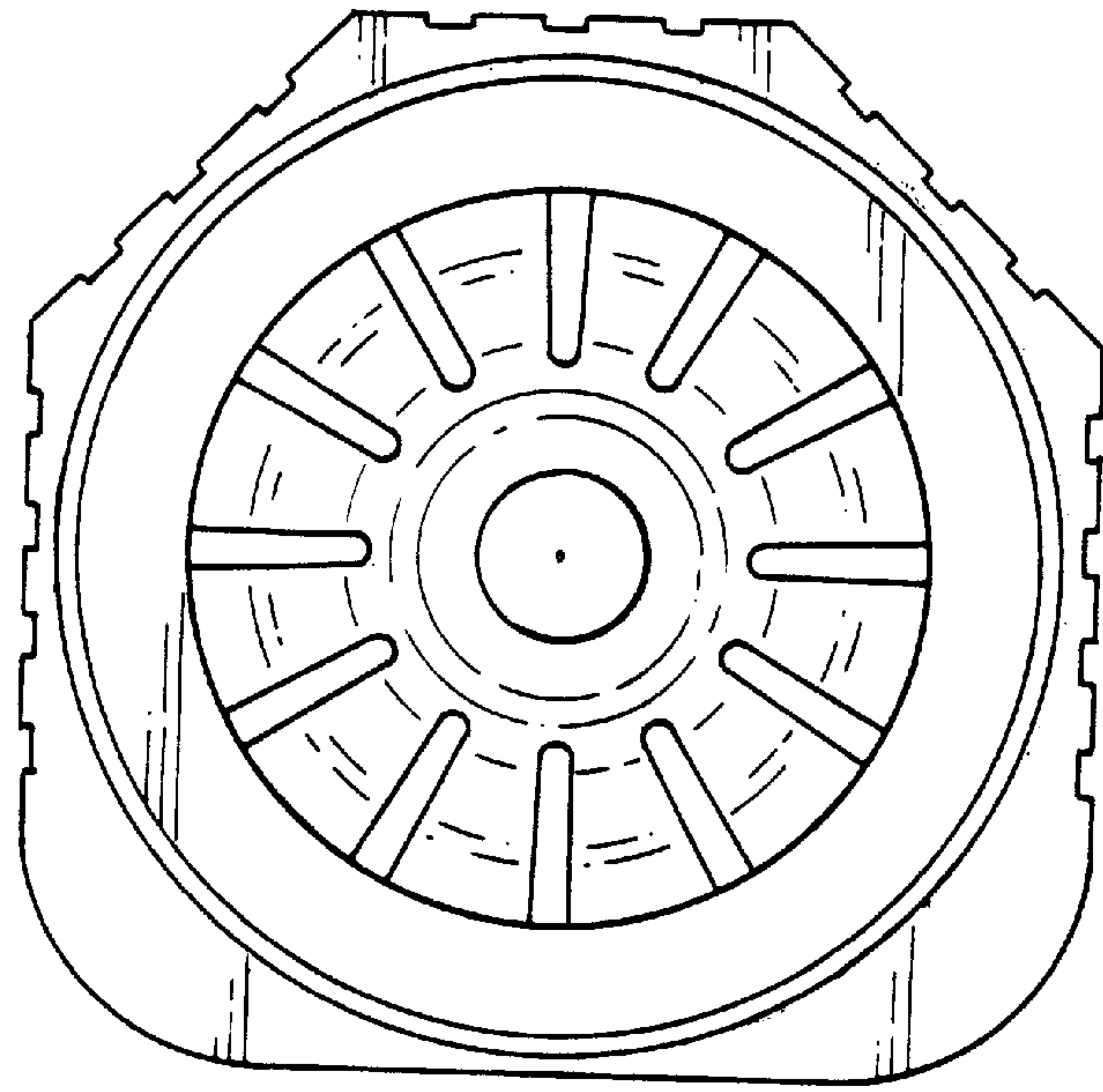


FIG. 2

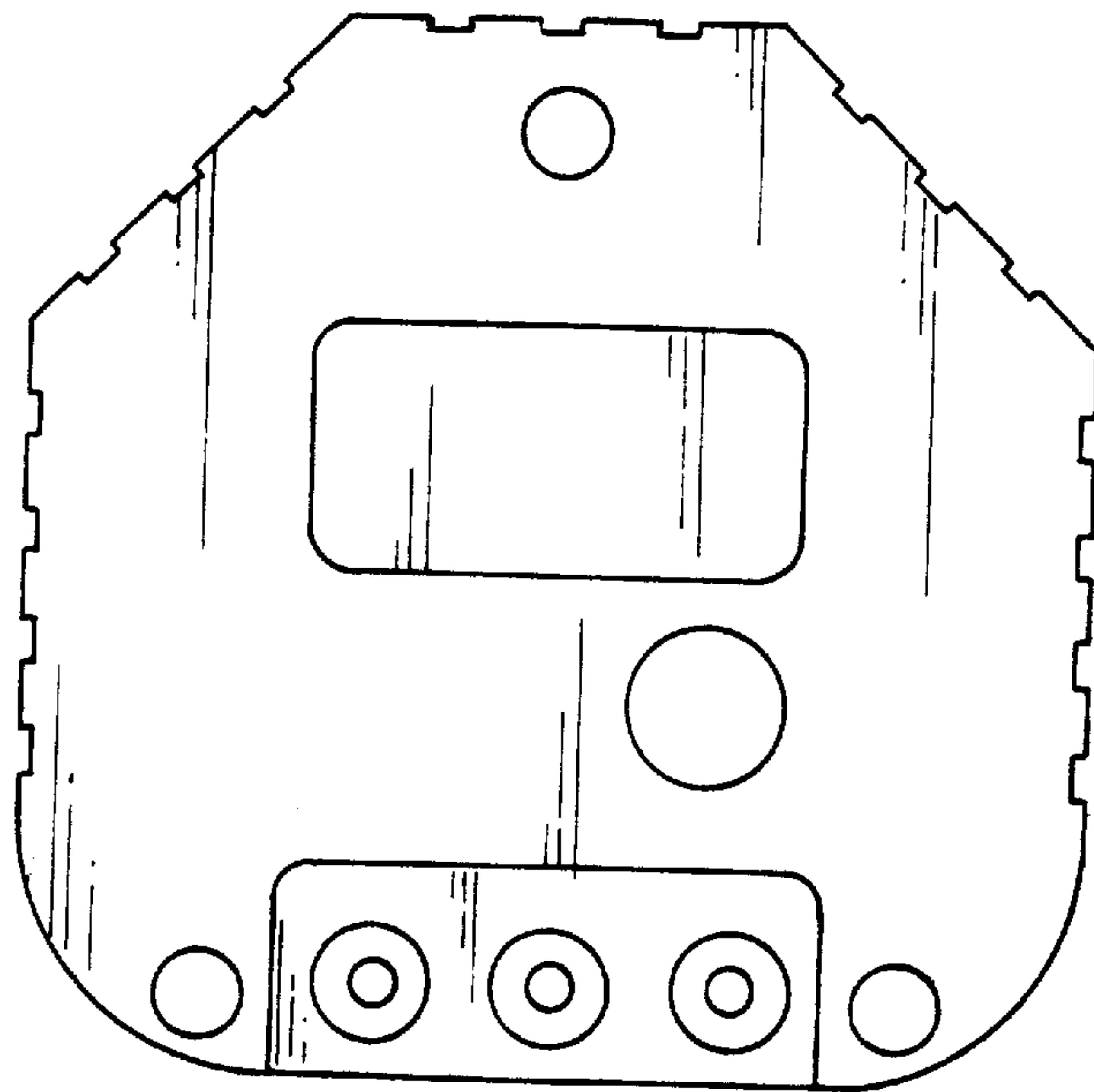


FIG. 3



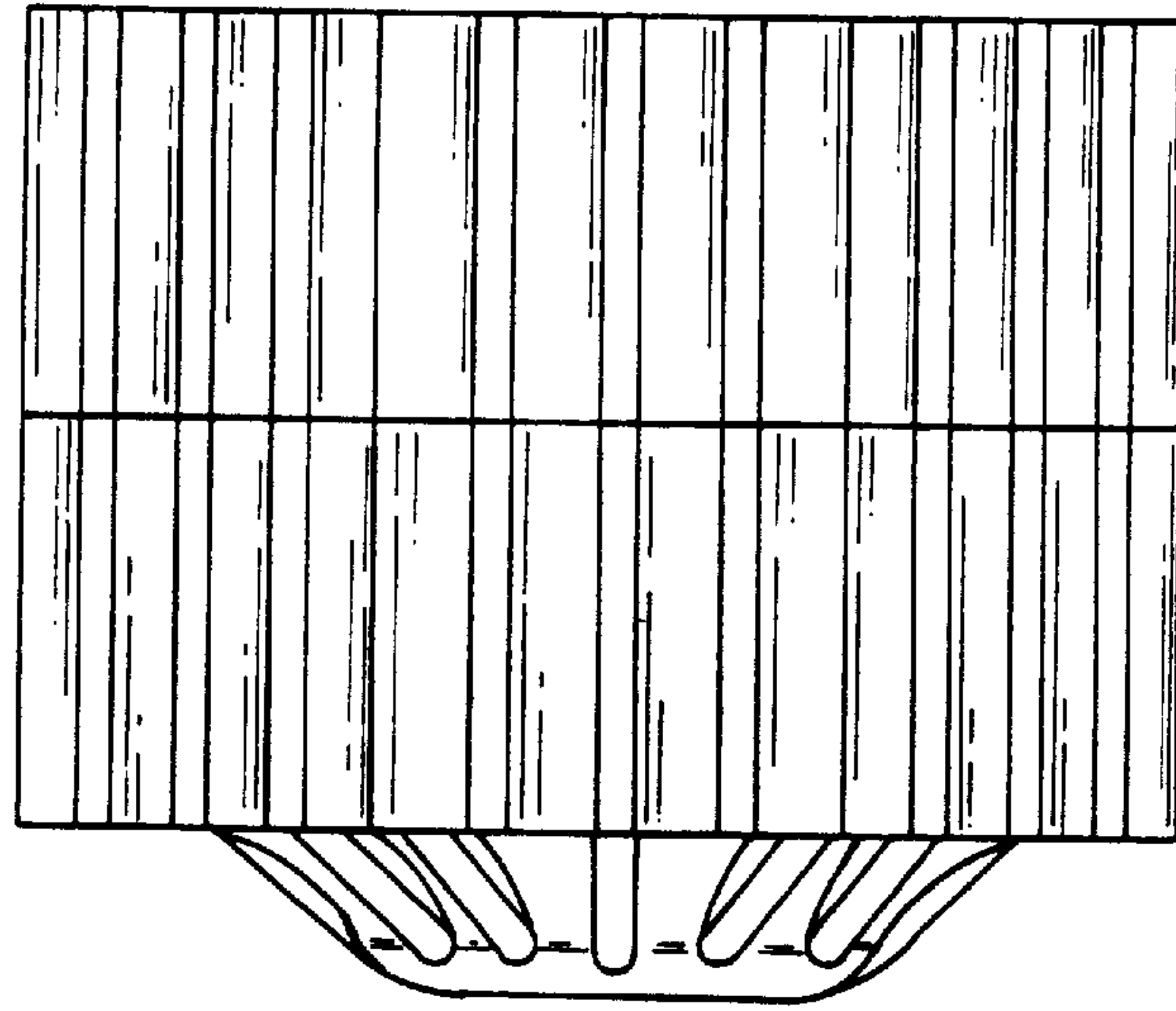


FIG. 4

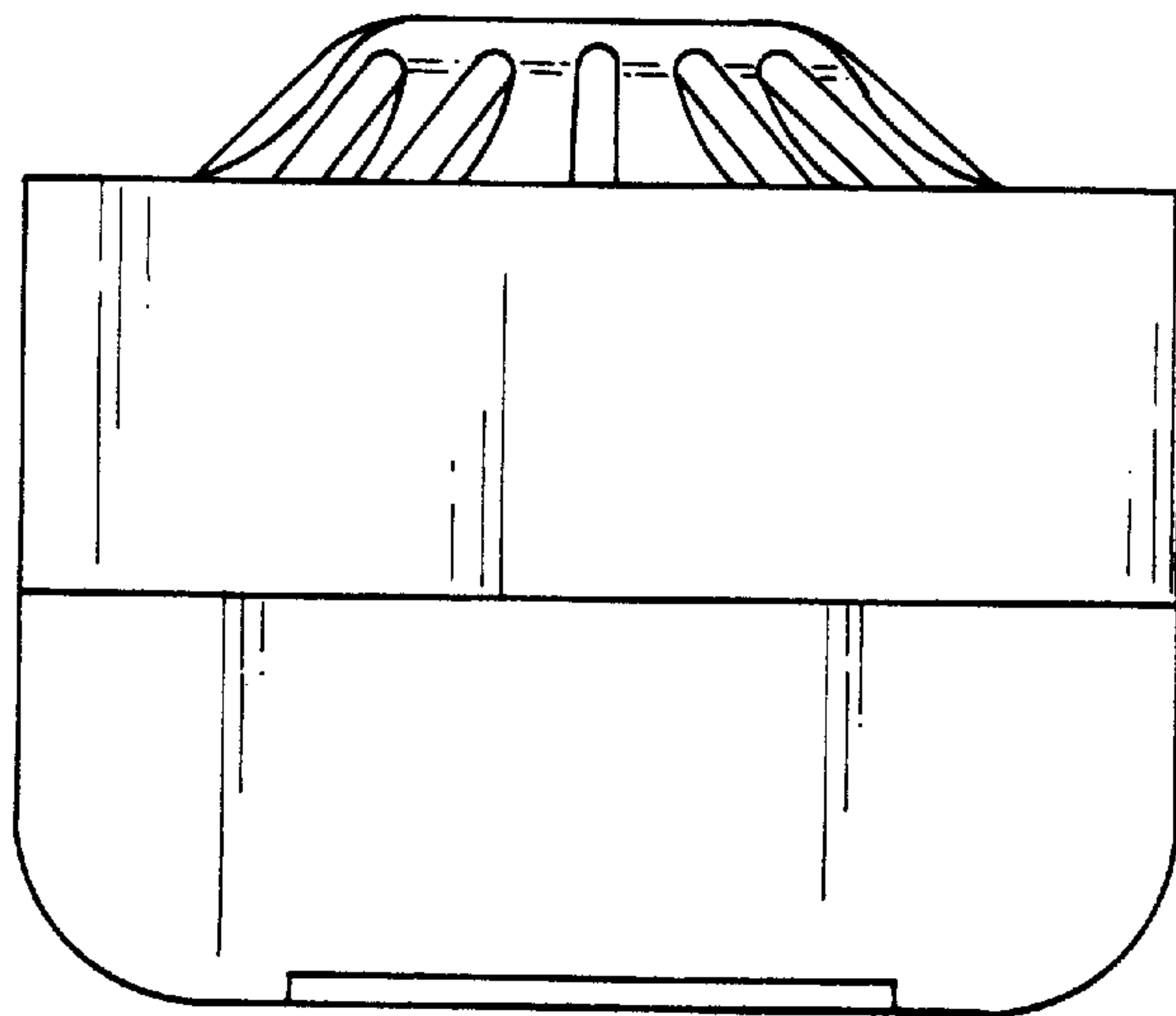


FIG. 5

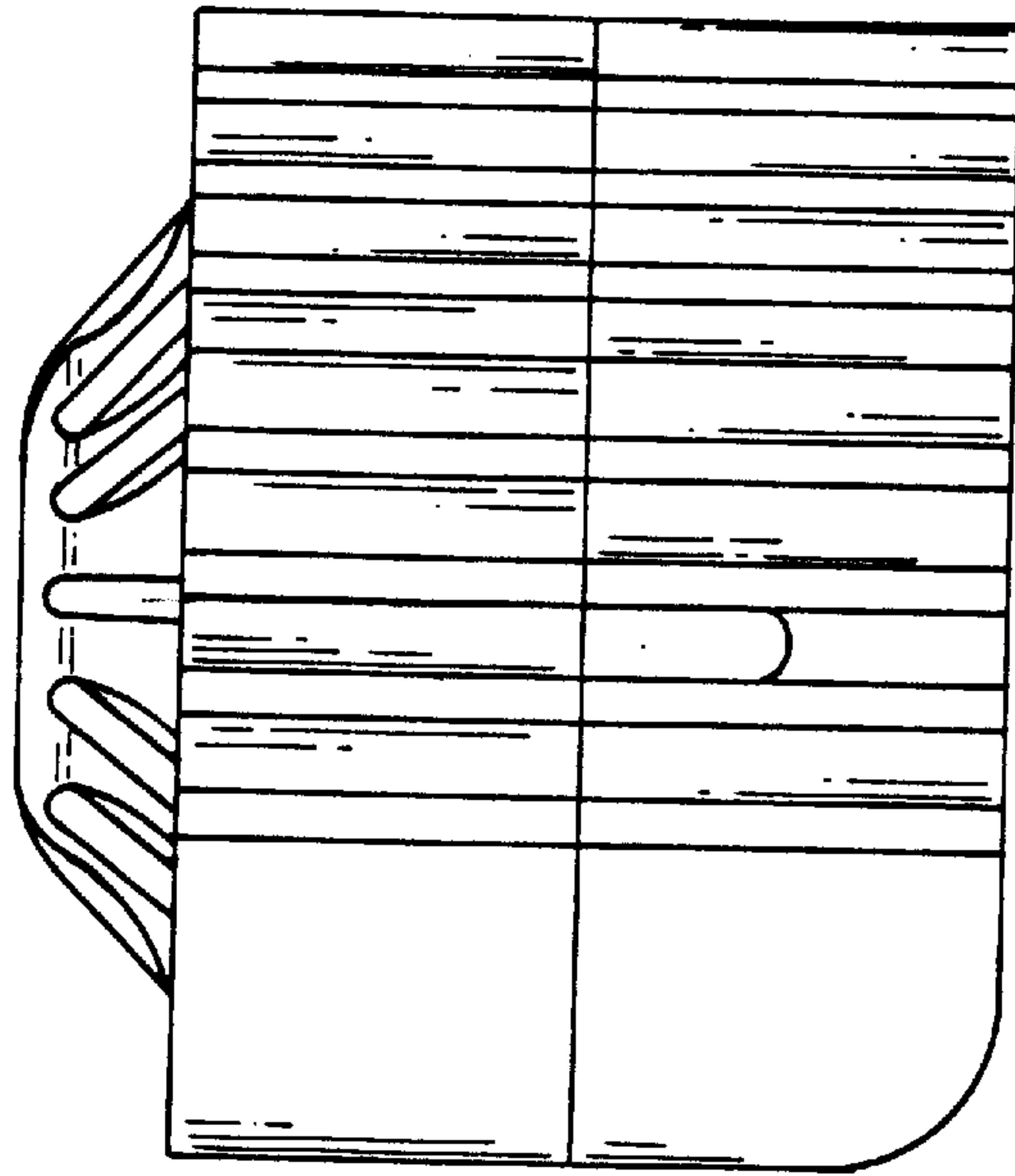


FIG. 7

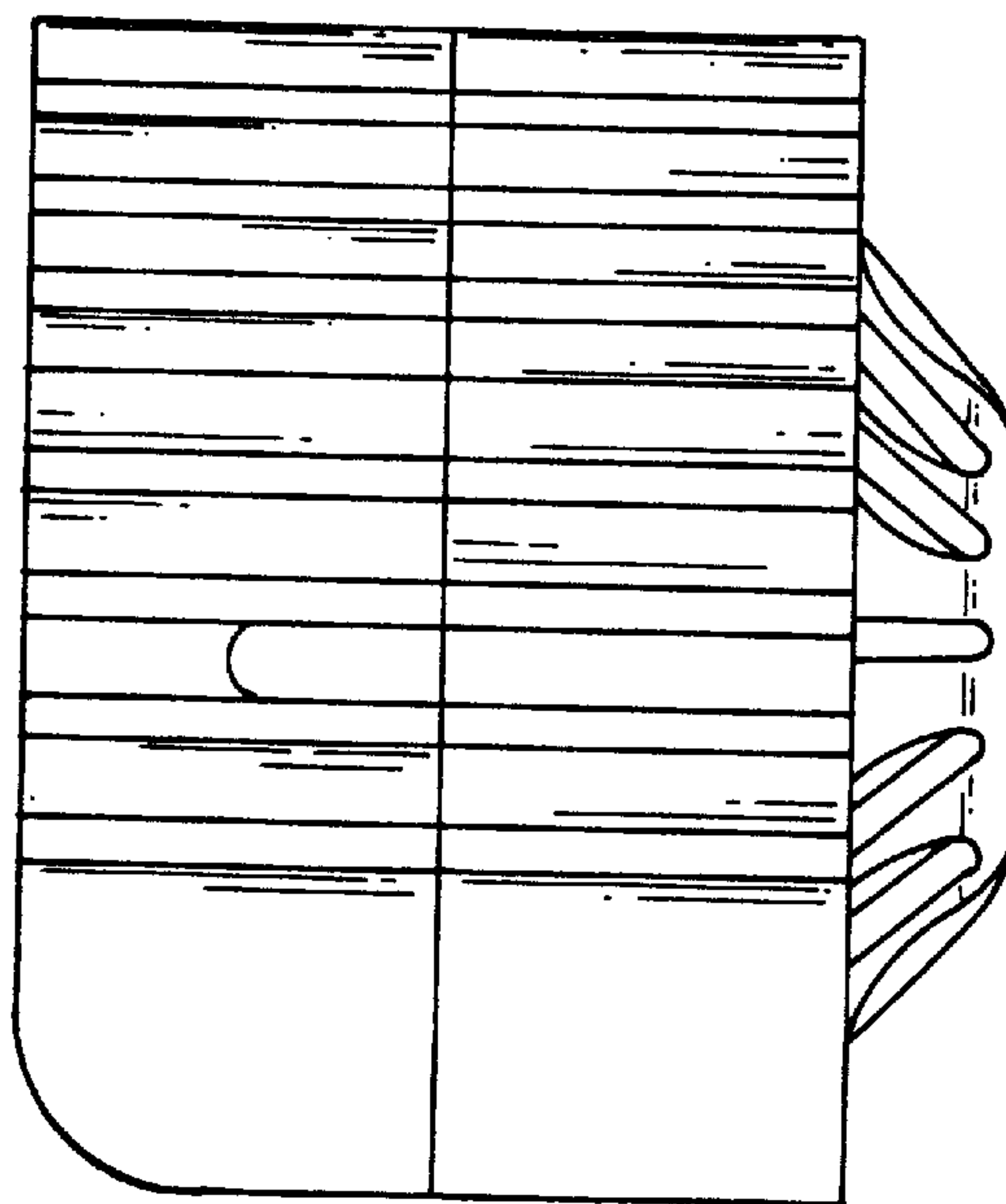


FIG. 6