



US00D409512S

# United States Patent [19]

Whitney, Sr. et al.

[11] **Patent Number: Des. 409,512**

[45] **Date of Patent: \*\* May 11, 1999**

[54] **ELECTRIC MESSAGE REMINDER**

[76] Inventors: **Kenneth Whitney, Sr.; Mary Whitney,**  
both of 100 Cary Ave. #1F, Yonkers,  
N.Y. 10705

[\*\*] Term: **14 Years**

[21] Appl. No.: **29/093,393**

[22] Filed: **Sep. 10, 1998**

[51] **LOC (6) Cl. .... 10-05**

[52] **U.S. Cl. .... D10/104; D20/18**

[58] **Field of Search .... D10/104, 106,**  
D10/116, 121; D20/10, 18; 340/540, 571,  
572, 573, 689; 40/107, 108, 109, 110

[56] **References Cited**

**U.S. PATENT DOCUMENTS**

D. 351,861 10/1994 Anderson et al. .... D20/18

D. 365,600 12/1995 Martin .... D20/18

D. 373,964 9/1996 Alexander ..... D20/18  
D. 391,183 2/1998 Campbell et al. .... D10/104

*Primary Examiner*—Marcus A. Jackson  
*Attorney, Agent, or Firm*—Goldstein & Canino

[57] **CLAIM**

The ornamental design for an electronic message reminder,  
as shown and described.

**DESCRIPTION**

FIG. 1 is a diagrammatic perspective view of the electronic  
message reminder.

FIG. 2 is a left side elevational view thereof.

FIG. 3 is a right side elevational view thereof.

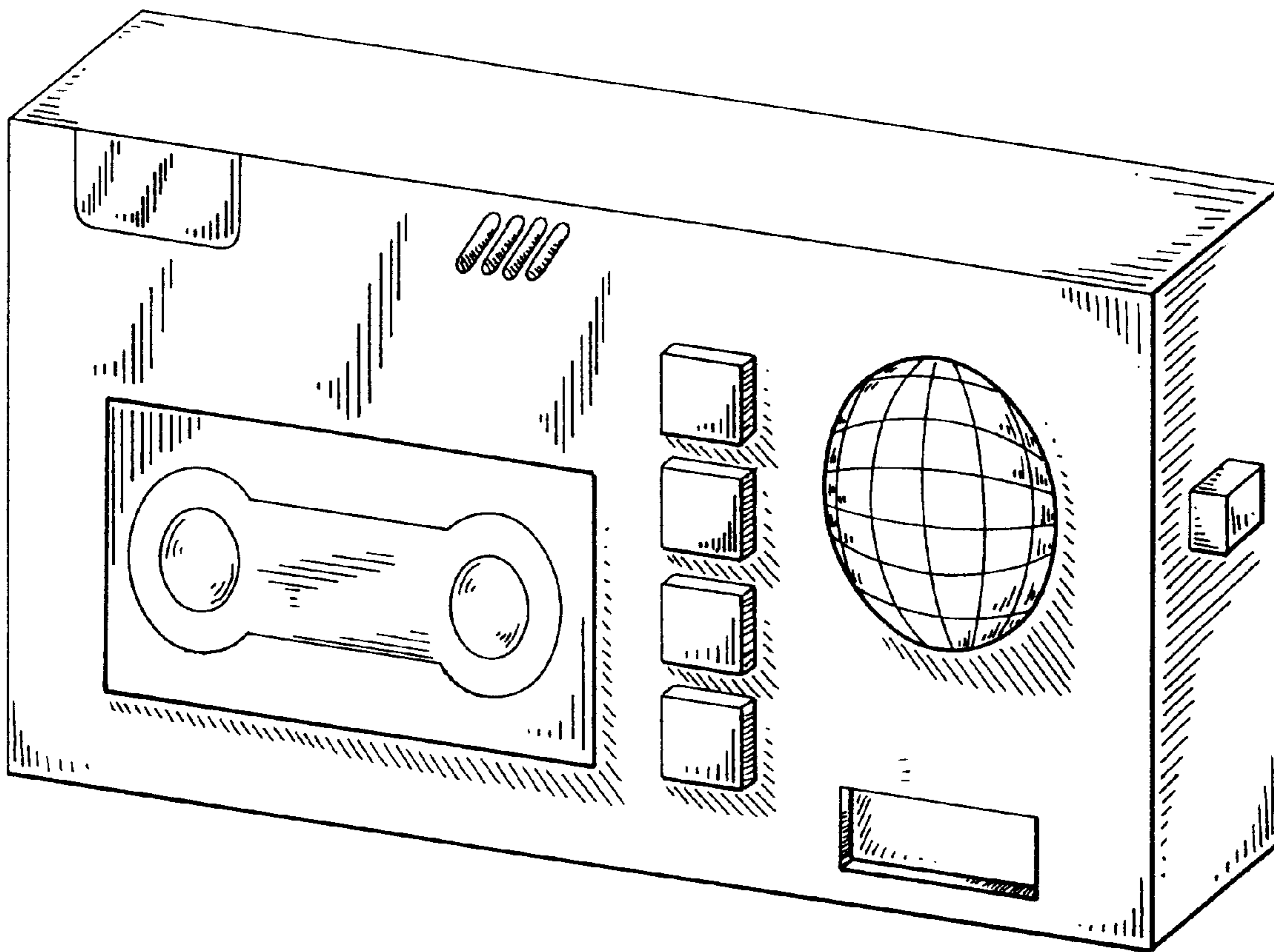
FIG. 4 is a top plan view of the electronic message reminder.

FIG. 5 is a bottom plan view thereof.

FIG. 6 is a front elevational view thereof; and,

FIG. 7 is a rear elevational view thereof.

**1 Claim, 3 Drawing Sheets**



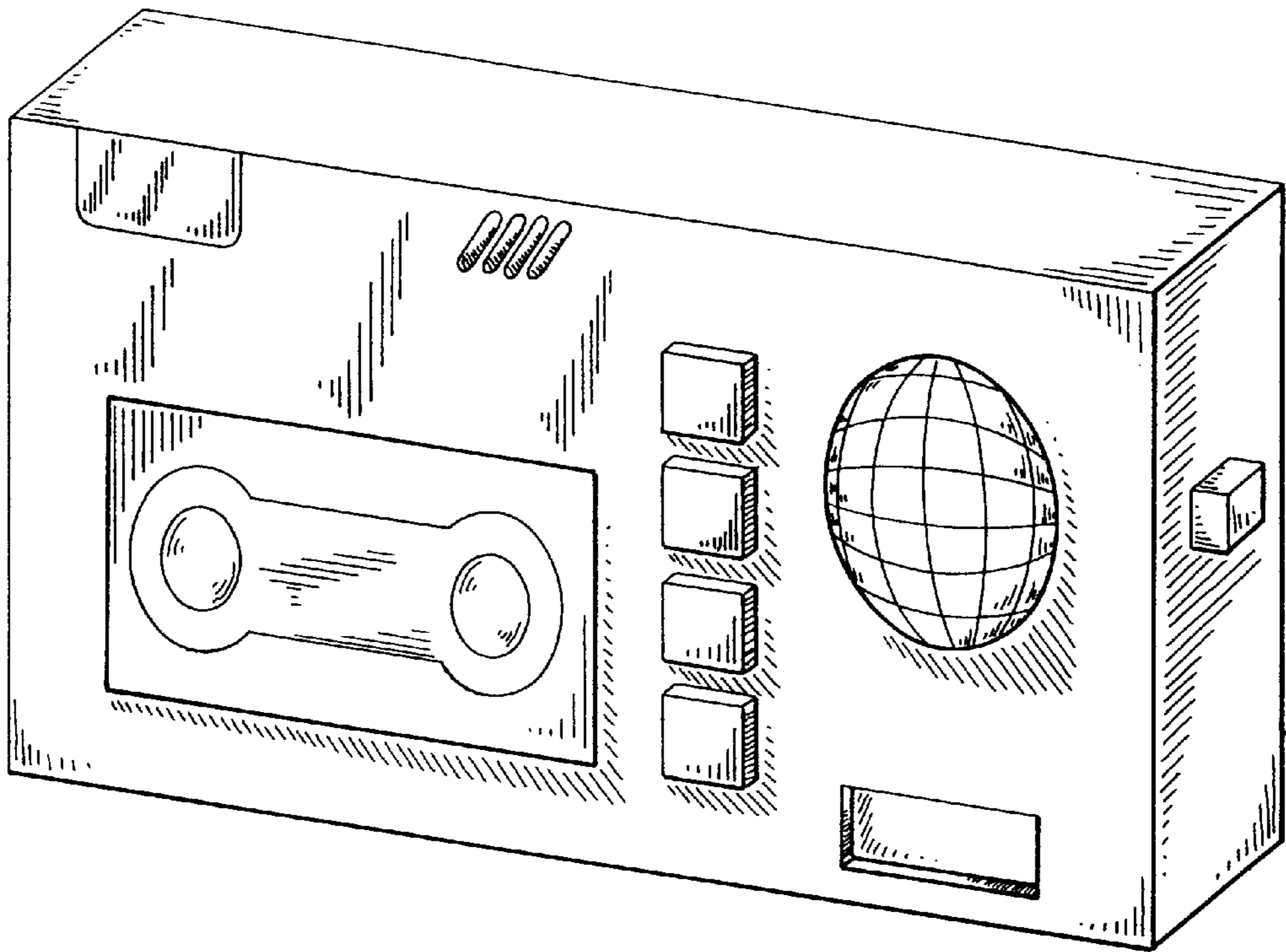


FIG. 1

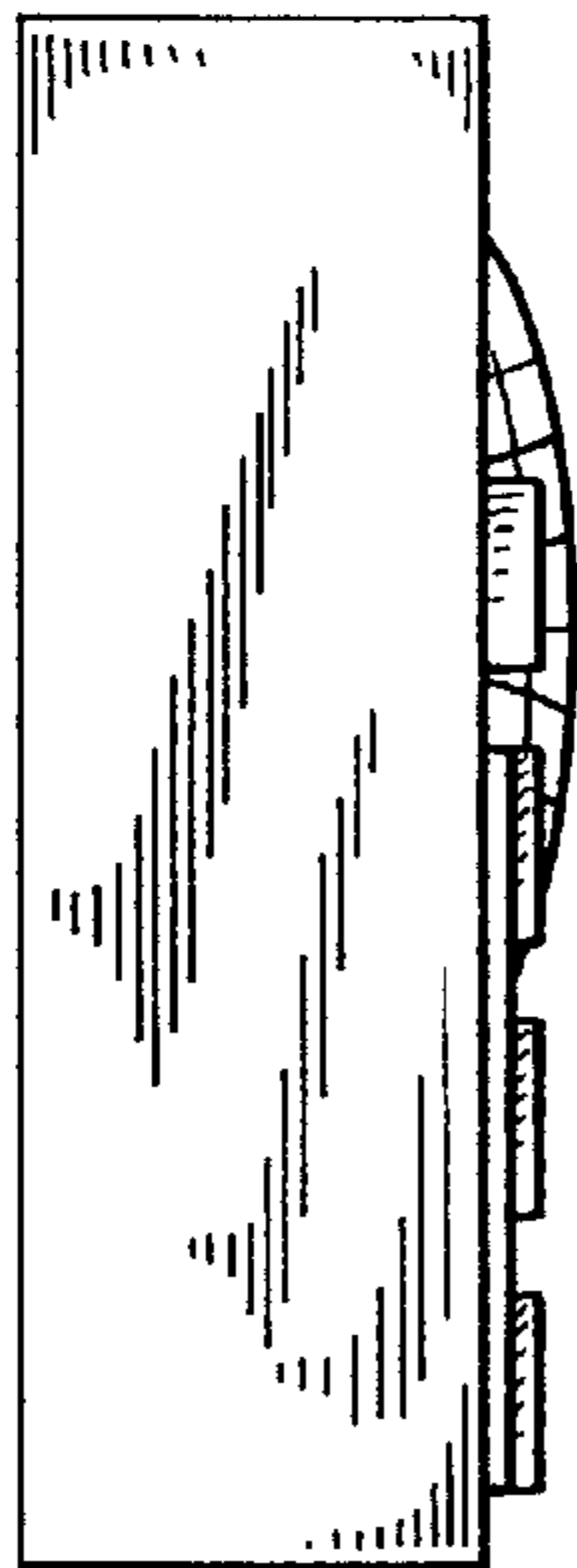


FIG. 2

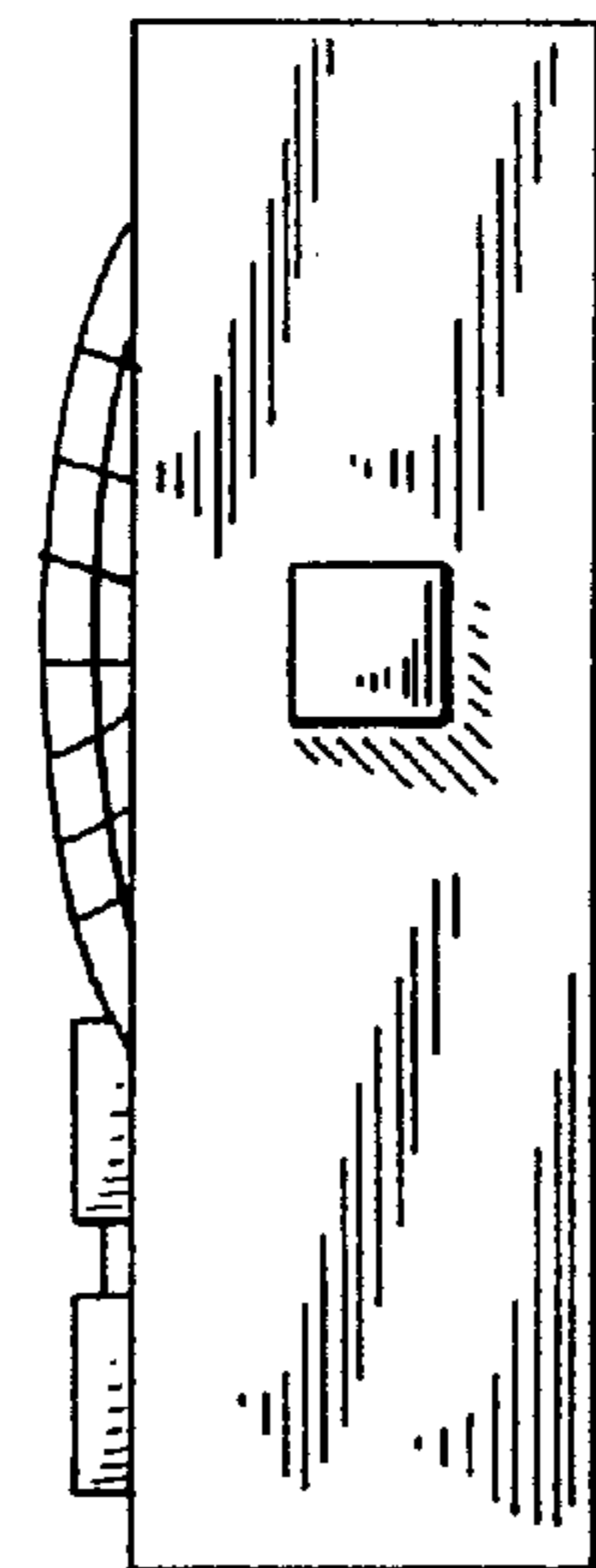


FIG. 3

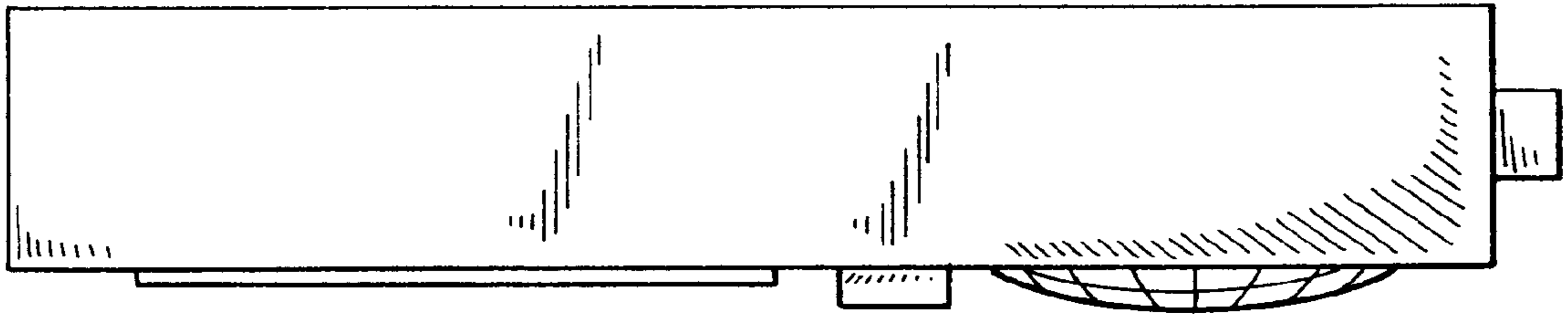


FIG. 4

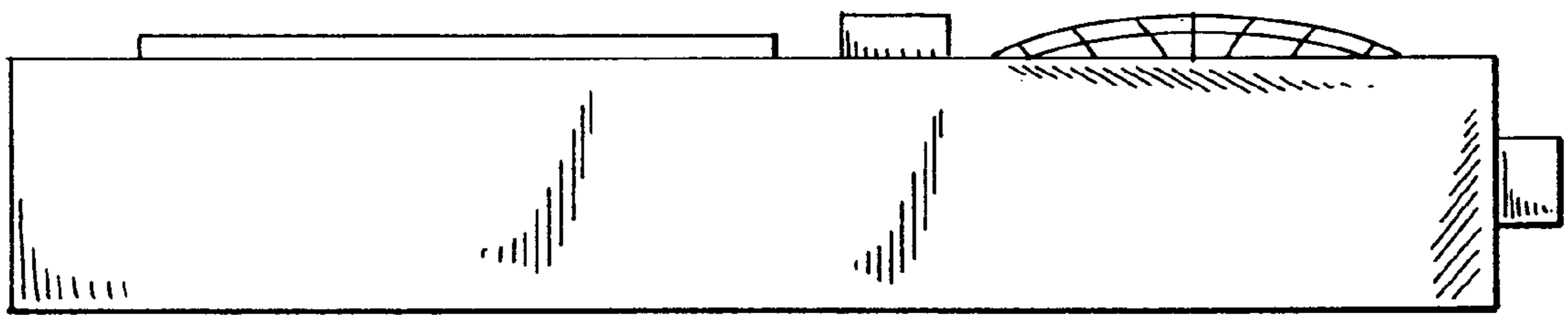


FIG. 5

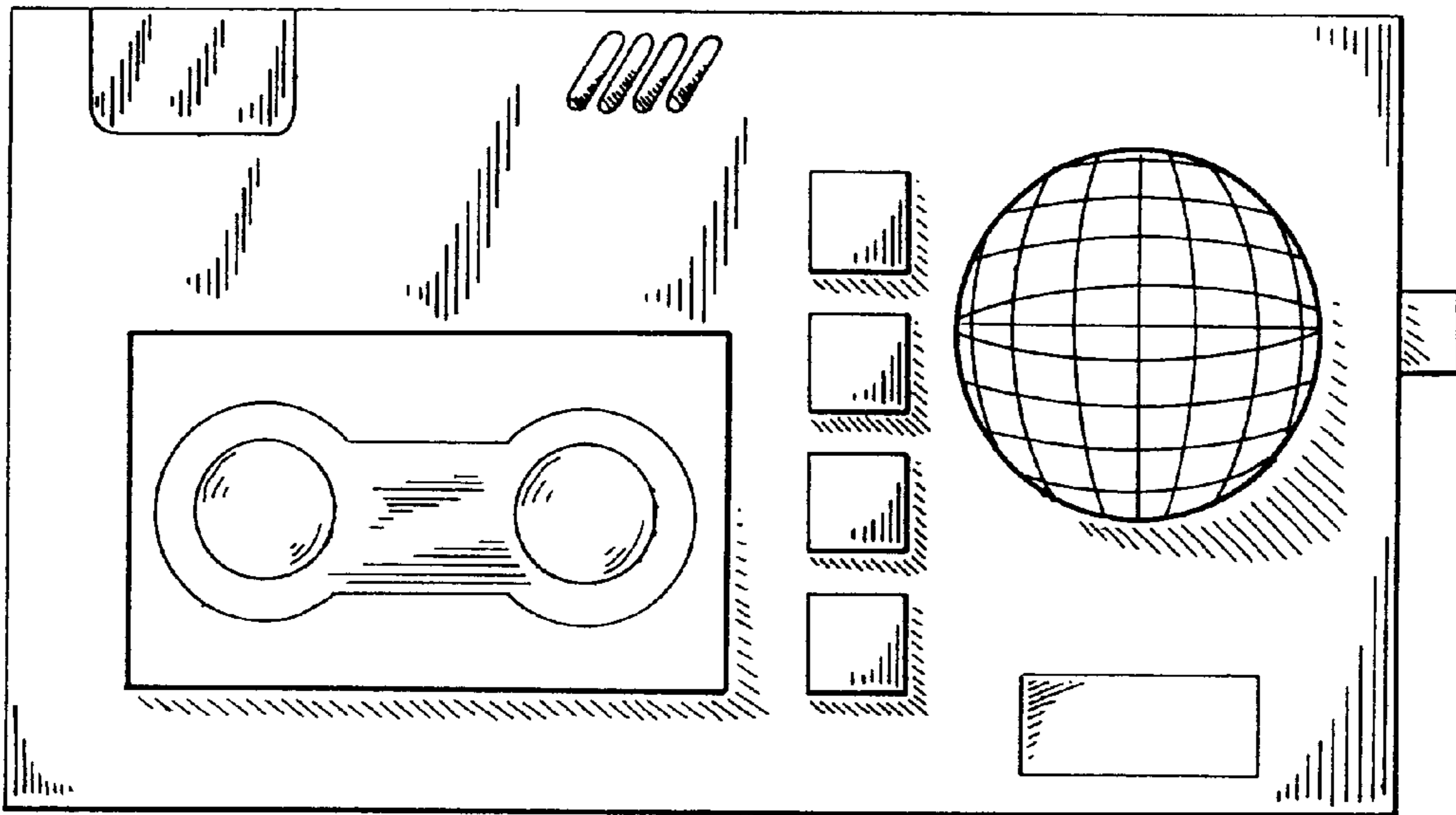


FIG. 6

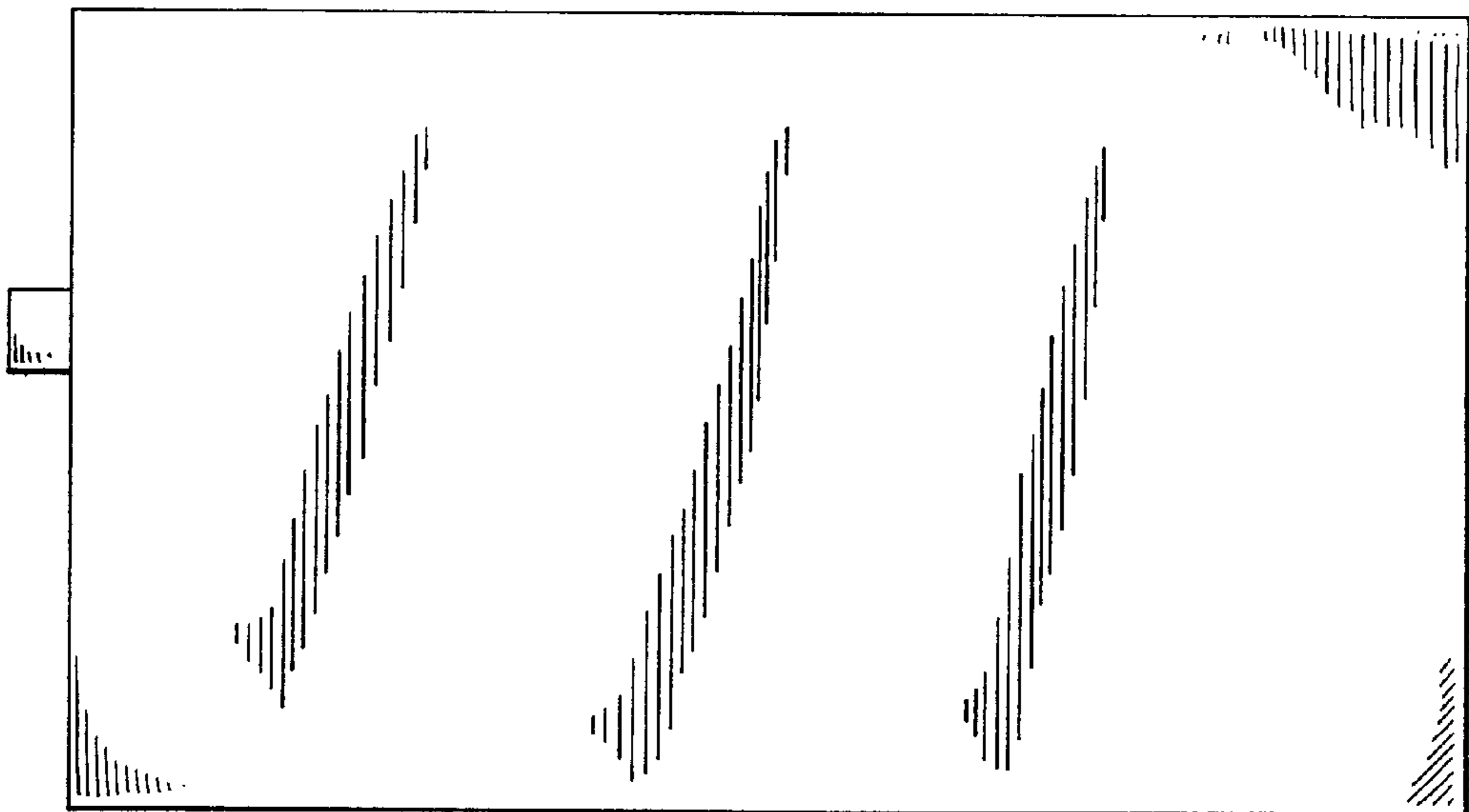


FIG. 7