

US00D409508S

United States Patent [19] Gallagher

[11] **Patent Number: Des. 409,508**

[45] **Date of Patent: ** May 11, 1999**

[54] **LASER SPIRIT LEVEL**

[76] Inventor: **Anthony T. Gallagher, 23
Bishopswood, Bridgend, South Wales,
United Kingdom, CF31 2LU**

[**] Term: **14 Years**

[21] Appl. No.: **29/087,334**

[22] Filed: **Apr. 30, 1998**

[51] **LOC (6) Cl. 10-04**

[52] **U.S. Cl. D10/69**

[58] **Field of Search D10/69; 33/369-381**

[56] **References Cited**

U.S. PATENT DOCUMENTS

D. 25,130 2/1896 Traut D10/69

Primary Examiner—Antoine Duval Davis
Attorney, Agent, or Firm—Rader, Fishman & Grauer PLLC

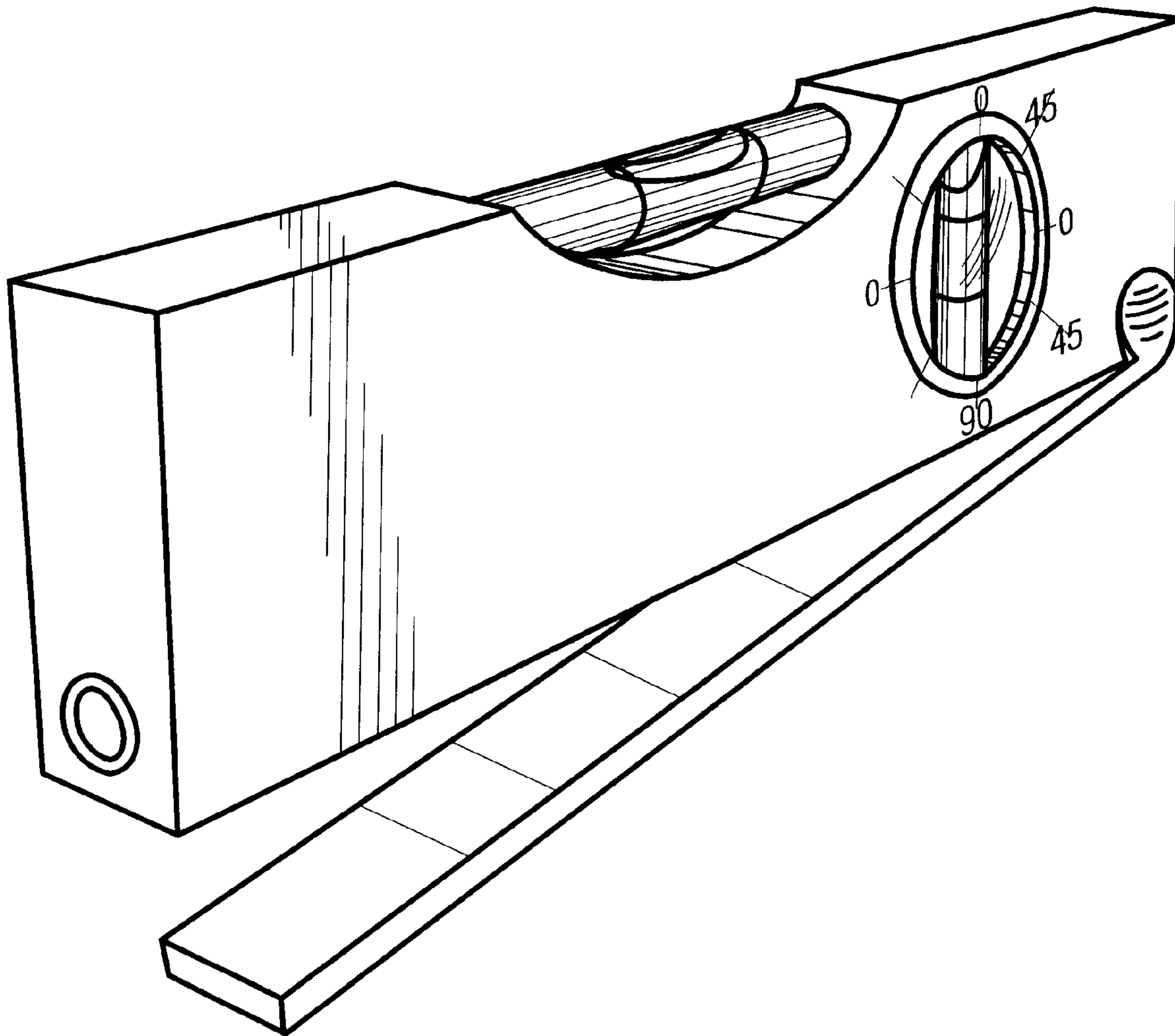
[57] **CLAIM**

The ornamental design for a laser spirit level, as shown and described.

DESCRIPTION

FIG. 1 is a view of the front face of the laser spirit level; FIG. 2 is a view of the reverse face of the laser spirit level; FIG. 3 is a view of the right face of the laser spirit level; FIG. 4 is a view of the left face of the laser spirit level; FIG. 5 is a view of the top face of the laser spirit level; FIG. 6 is a view of the bottom face of the laser spirit level; and, FIG. 7 is an isometric view of the laser spirit level.

1 Claim, 4 Drawing Sheets



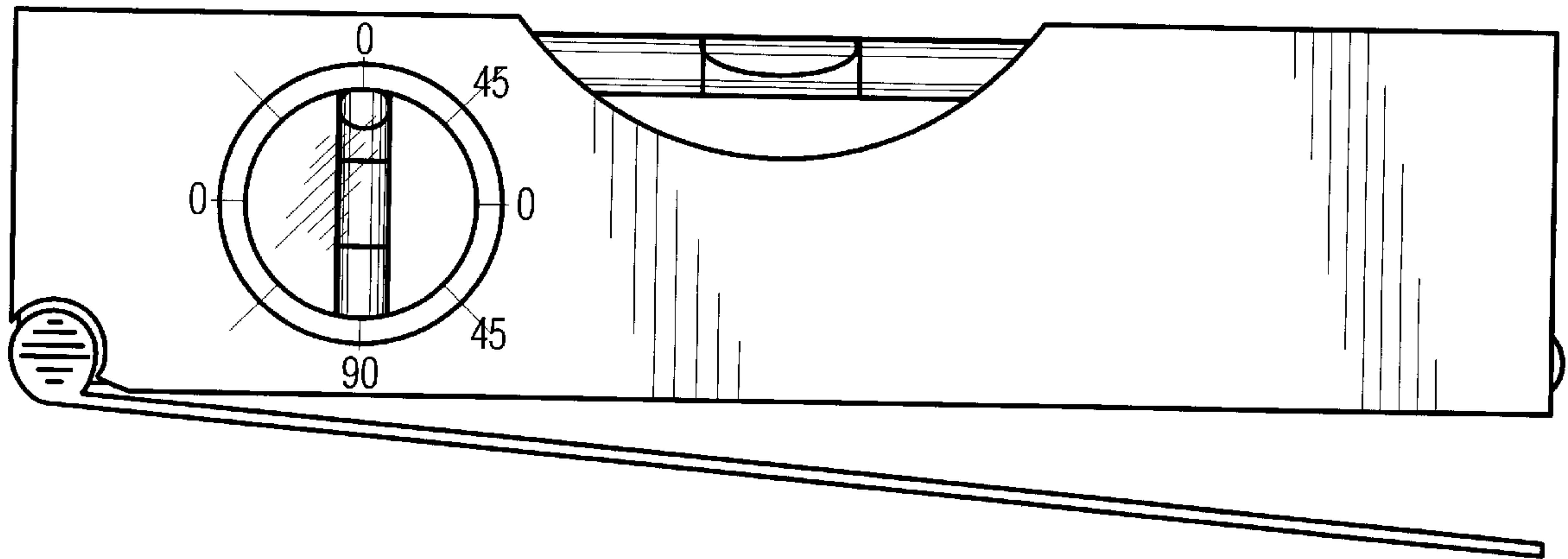


FIG 1

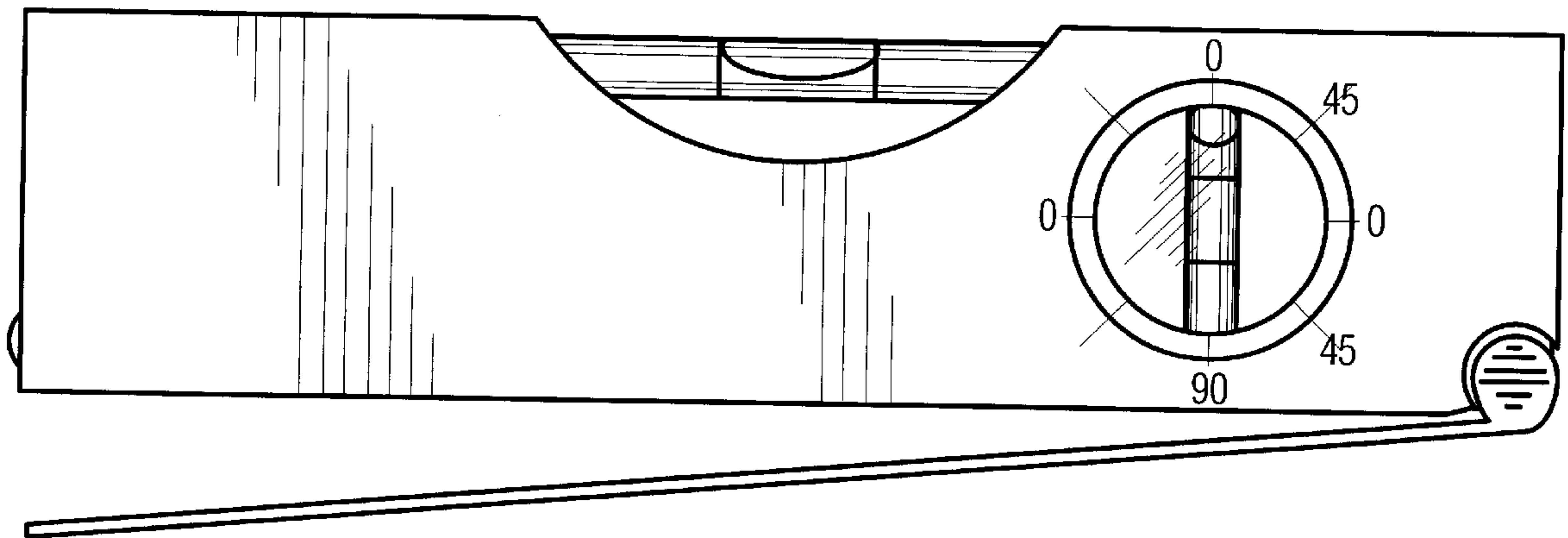


FIG 2

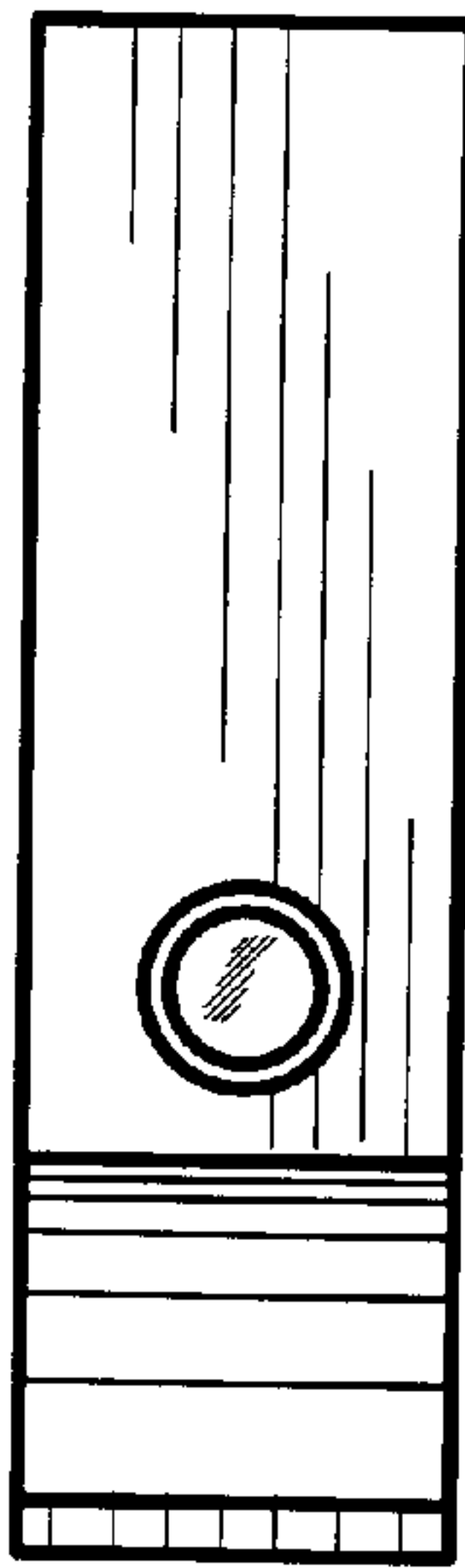


FIG 3

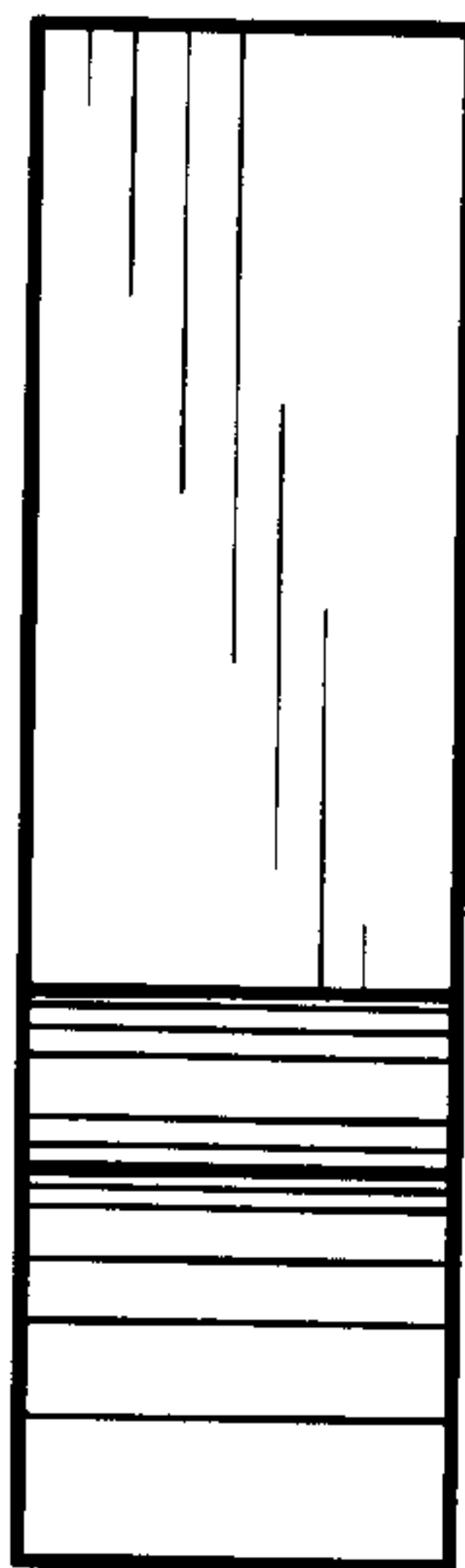


FIG 4

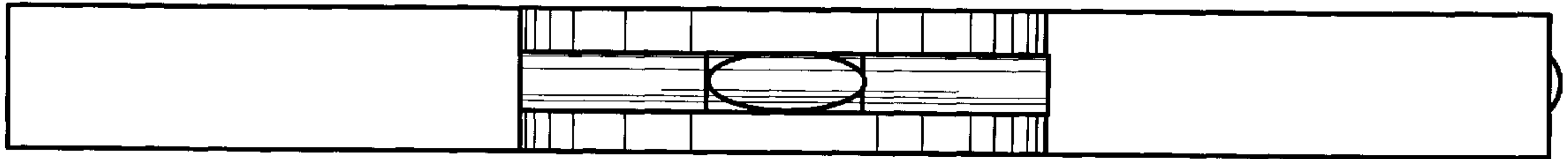


FIG 5

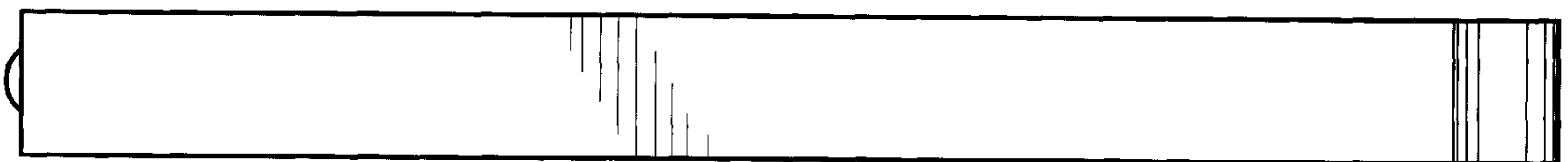


FIG 6

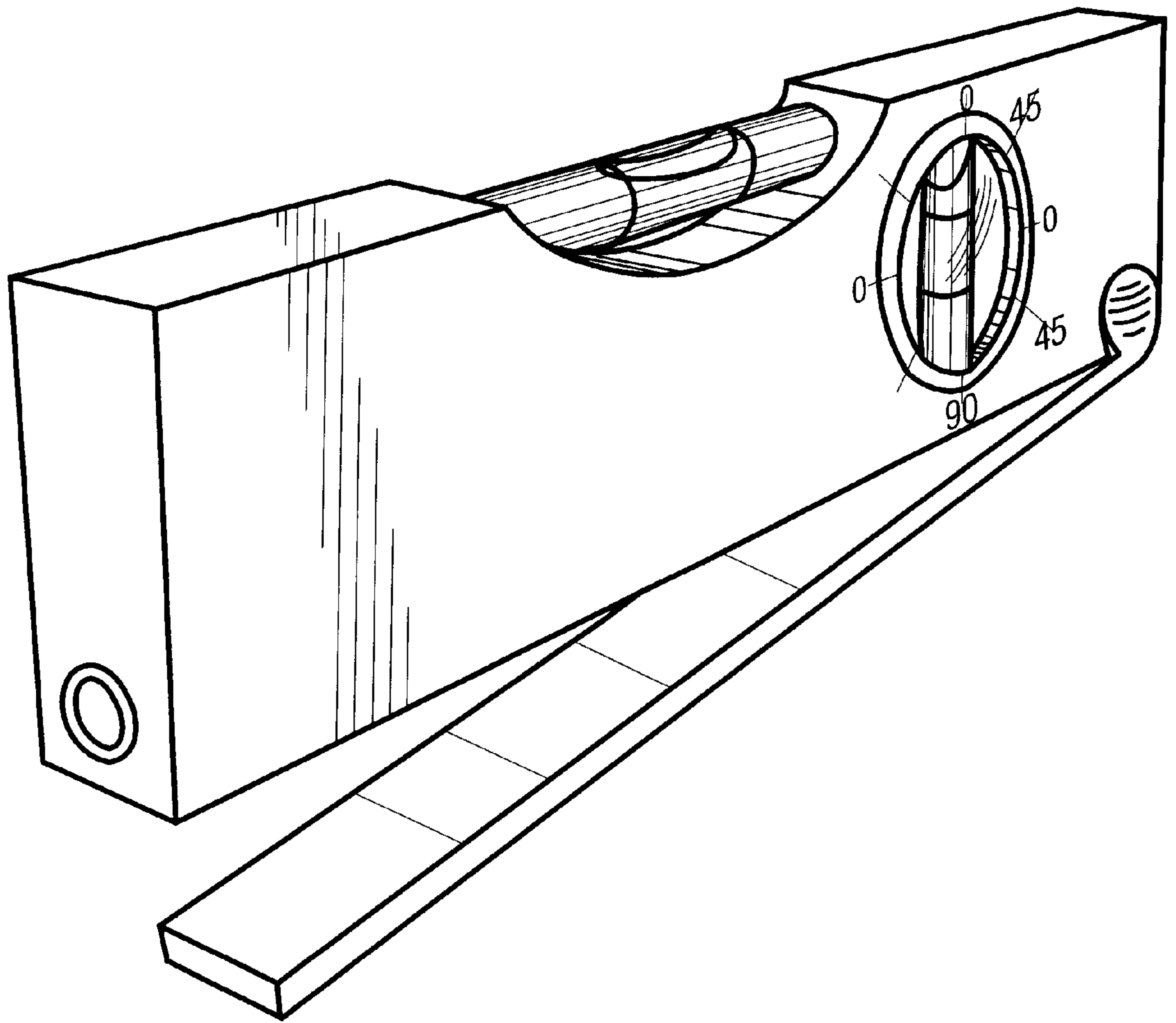


FIG 7