



US00D409507S

United States Patent [19]
Ishii

[11] **Patent Number: Des. 409,507**

[45] **Date of Patent: ** May 11, 1999**

[54] **ELECTRO-OPTICAL DISTANCE-MEASURING INSTRUMENT**

[75] Inventor: **Mitsuo Ishii**, Tokyo, Japan

[73] Assignee: **Kabushiki Kaisha Topcon**, Tokyo, Japan

[**] Term: **14 Years**

[21] Appl. No.: **29/093,952**

[22] Filed: **Sep. 22, 1998**

[30] **Foreign Application Priority Data**

Jun. 11, 1998 [JP] Japan 10-16740

[51] **LOC (6) Cl.** **10-04**

[52] **U.S. Cl.** **D10/66**

[58] **Field of Search** D10/66; 356/138-155;
33/290-299

[56] **References Cited**

U.S. PATENT DOCUMENTS

D. 375,464 11/1996 Hoshino D10/66
D. 389,418 1/1998 Takayama et al. D10/66

Primary Examiner—Antoine Duval Davis
Attorney, Agent, or Firm—Thelen Reid & Priest, L.L.P.

[57] **CLAIM**

The ornamental design for an electro-optical distance-measuring instrument, as shown.

DESCRIPTION

FIG. 1 is a perspective view of an electro-optical distance-measuring device taken from the front, left and upper sides thereof, showing my new design.

FIG. 2 is a front elevational view of the electro-optical distance-measuring device of FIG. 1.

FIG. 3 is a rear elevational view of the electro-optical distance-measuring device of FIG. 1.

FIG. 4 is a left side elevational view of the electro-optical distance-measuring device of FIG. 1.

FIG. 5 is a right side elevational view of the electro-optical distance-measuring device of FIG. 1.

FIG. 6 is a top plan view of the electro-optical distance-measuring device of FIG. 1; and,

FIG. 7 is a bottom plan view of the electro-optical distance-measuring device of FIG. 1.

1 Claim, 7 Drawing Sheets

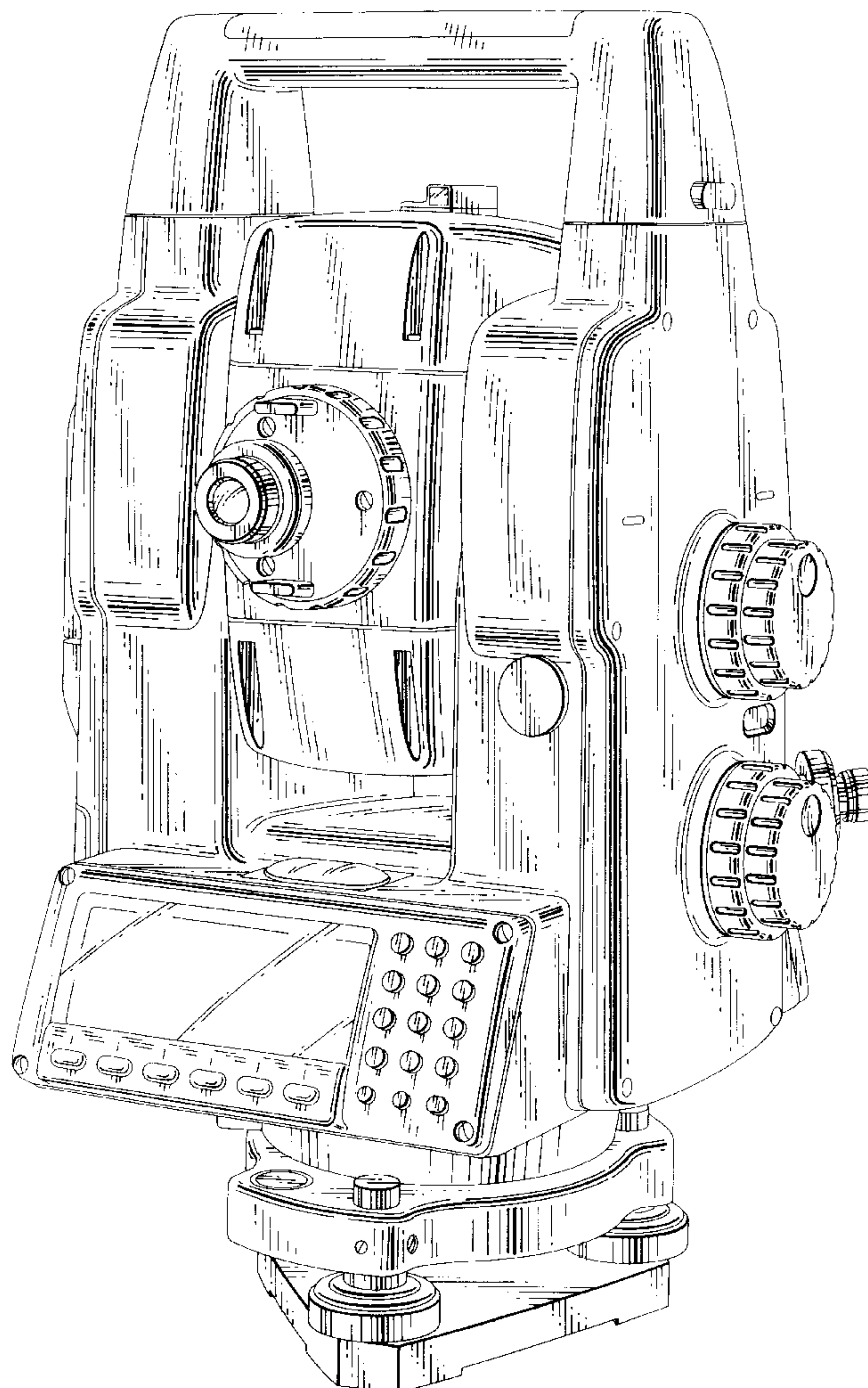


FIG. 1

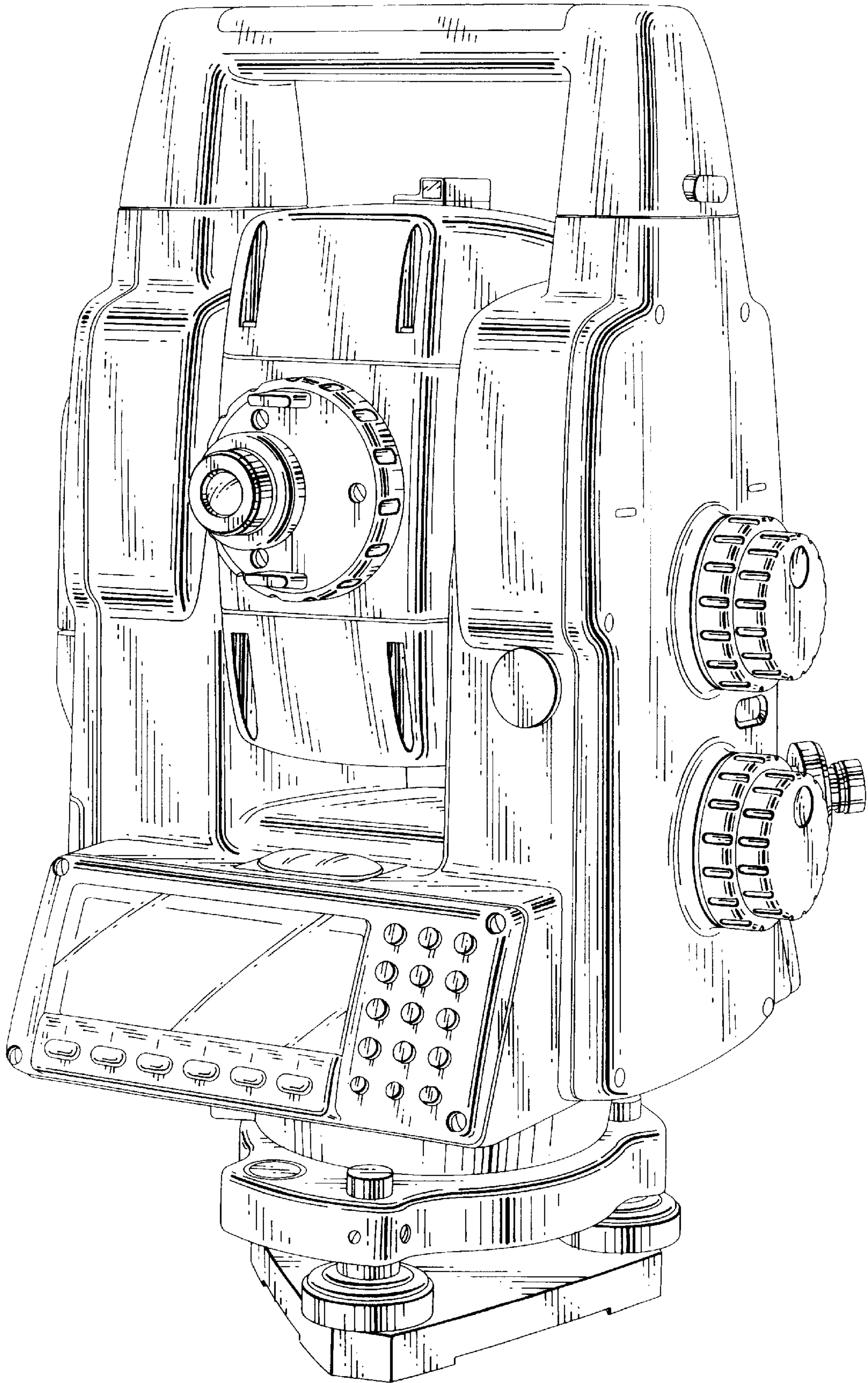


FIG. 2

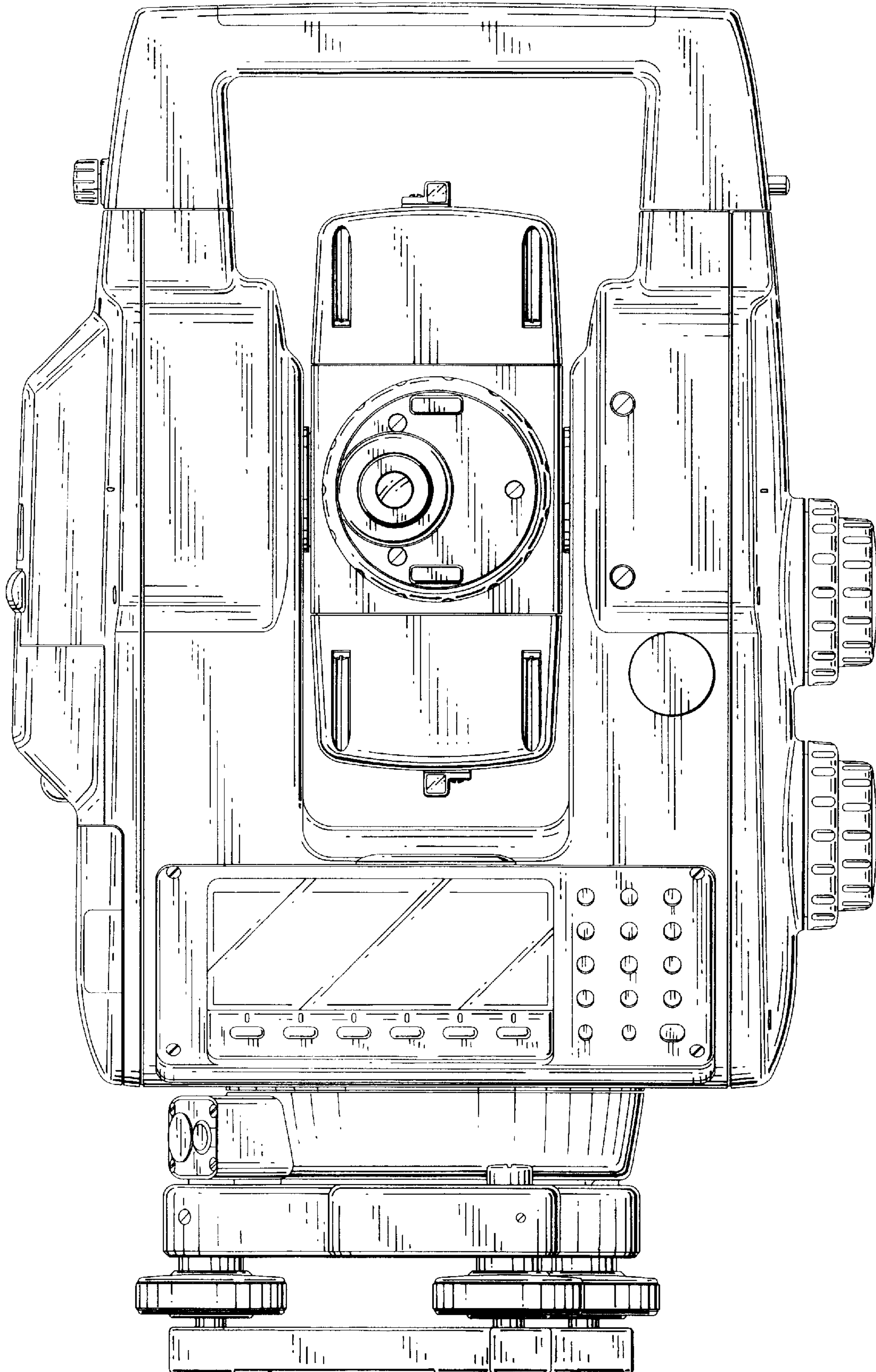


FIG. 3

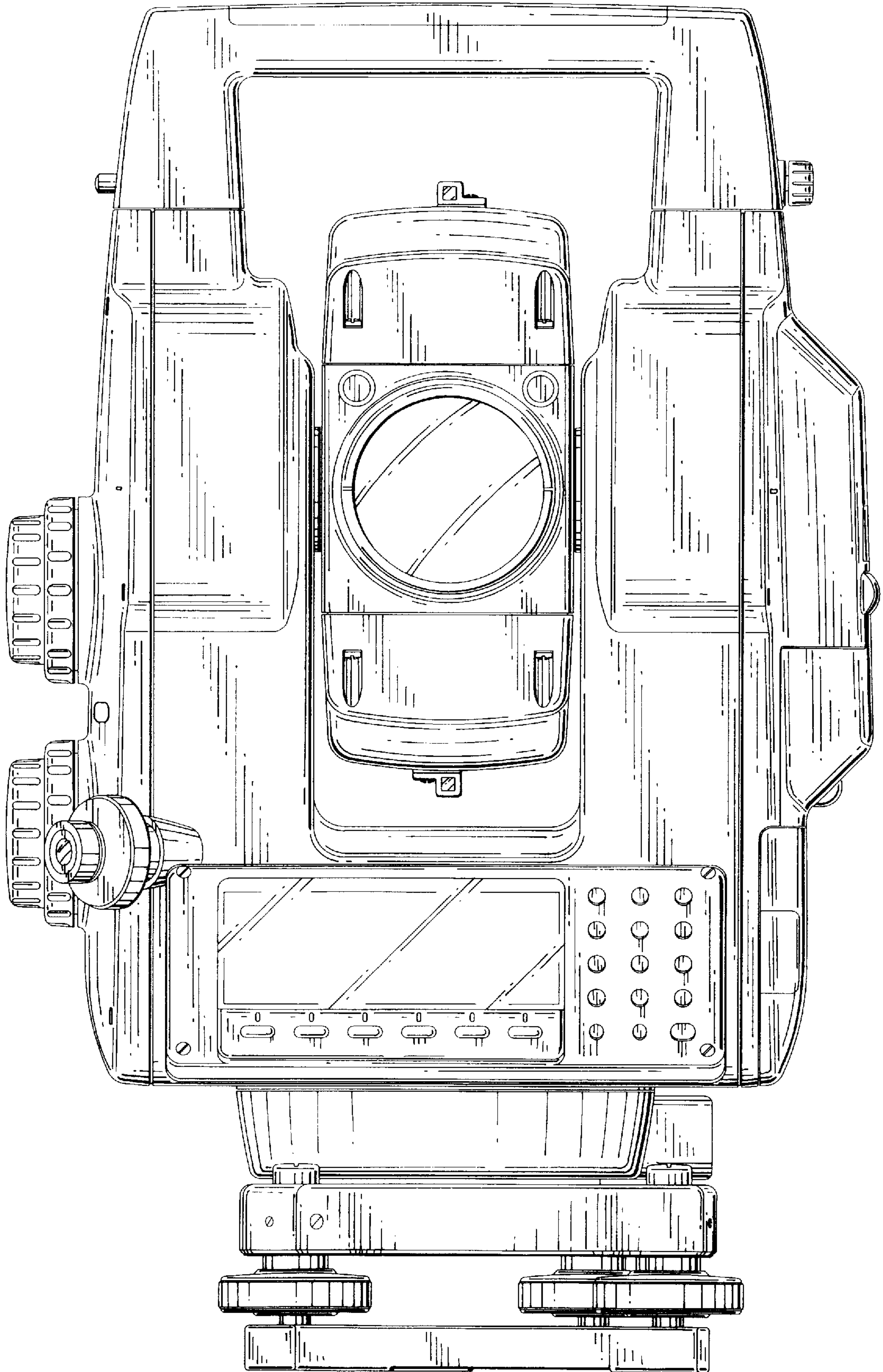


FIG. 4

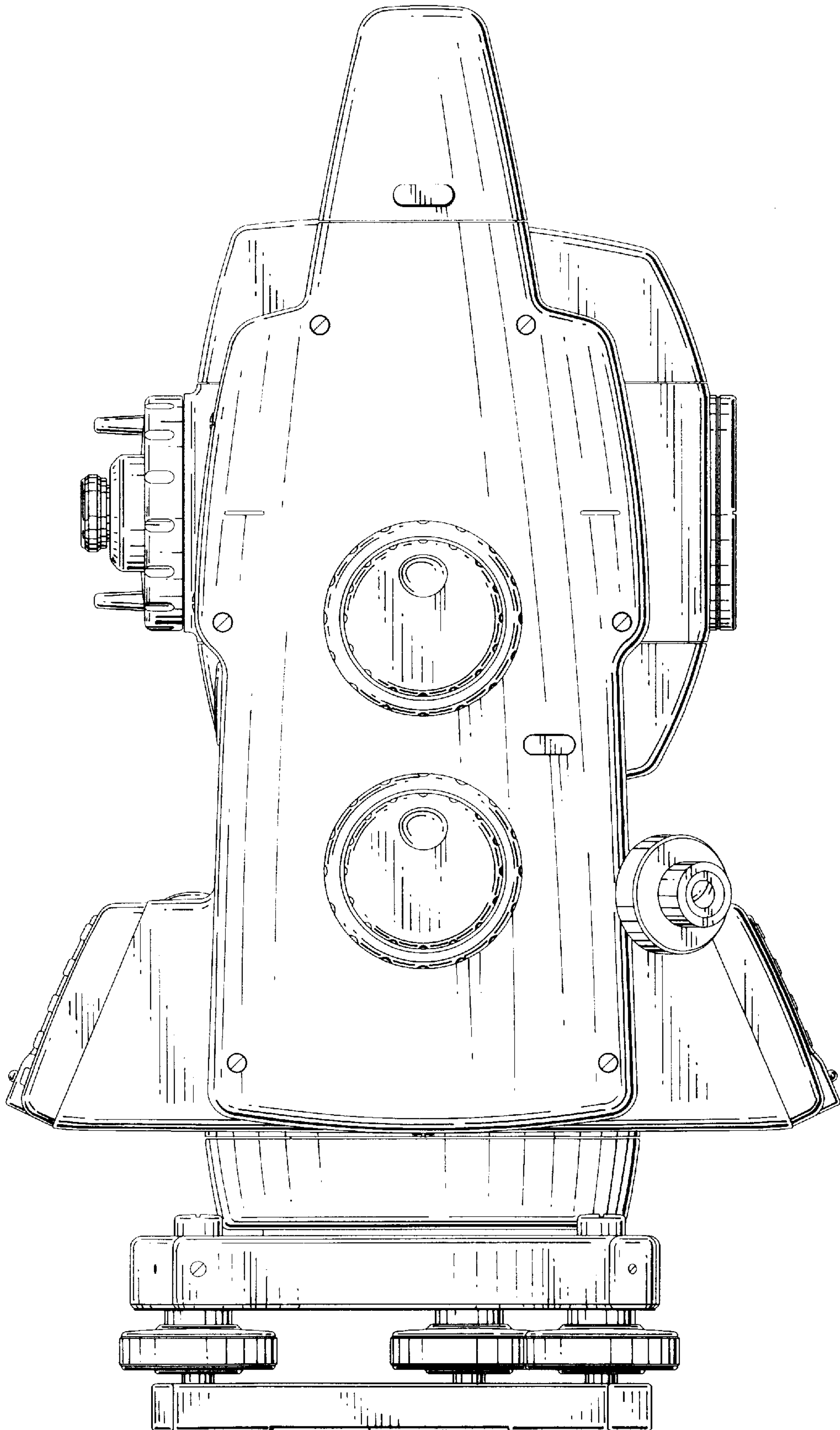


FIG. 5

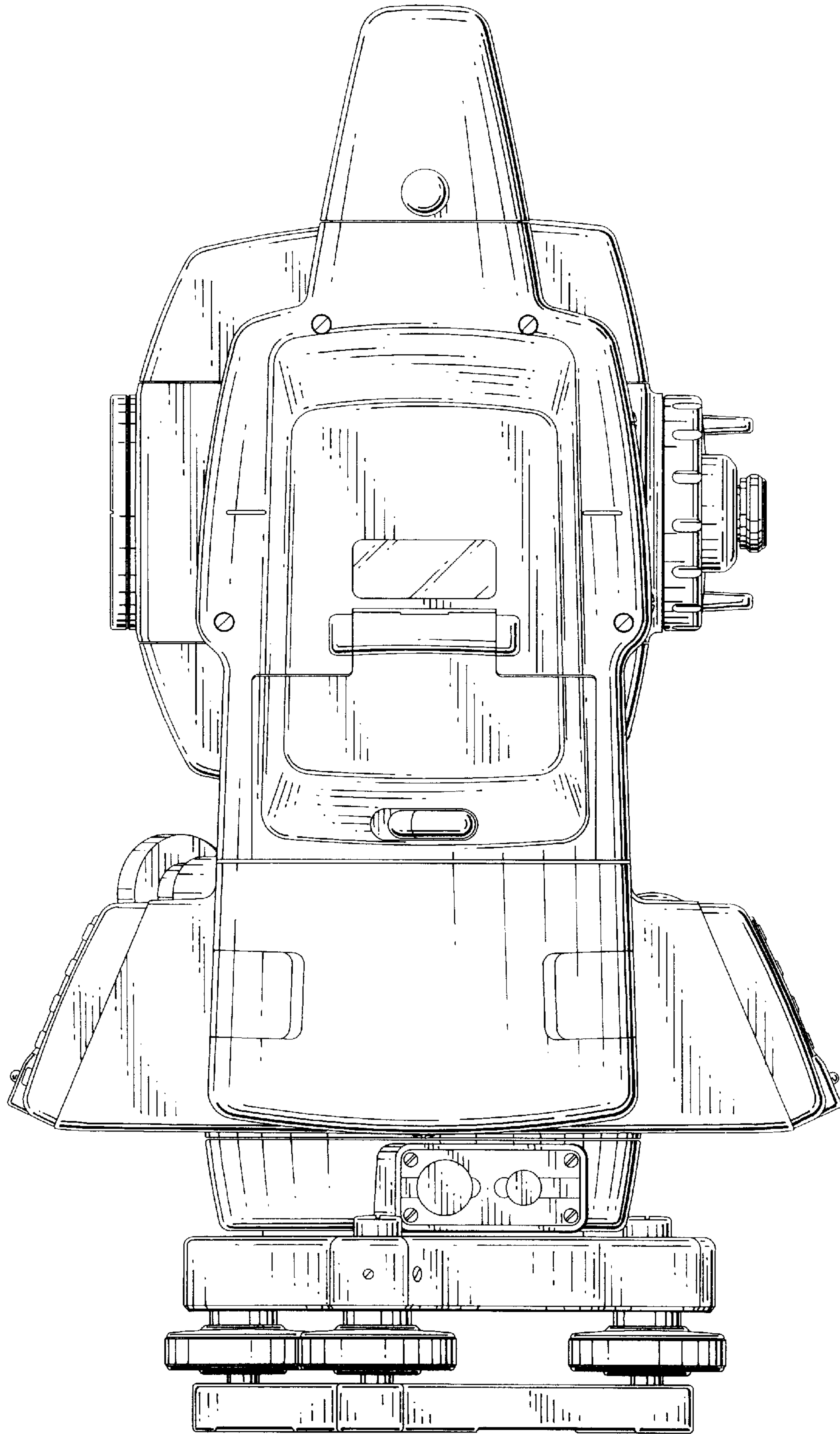


FIG. 6

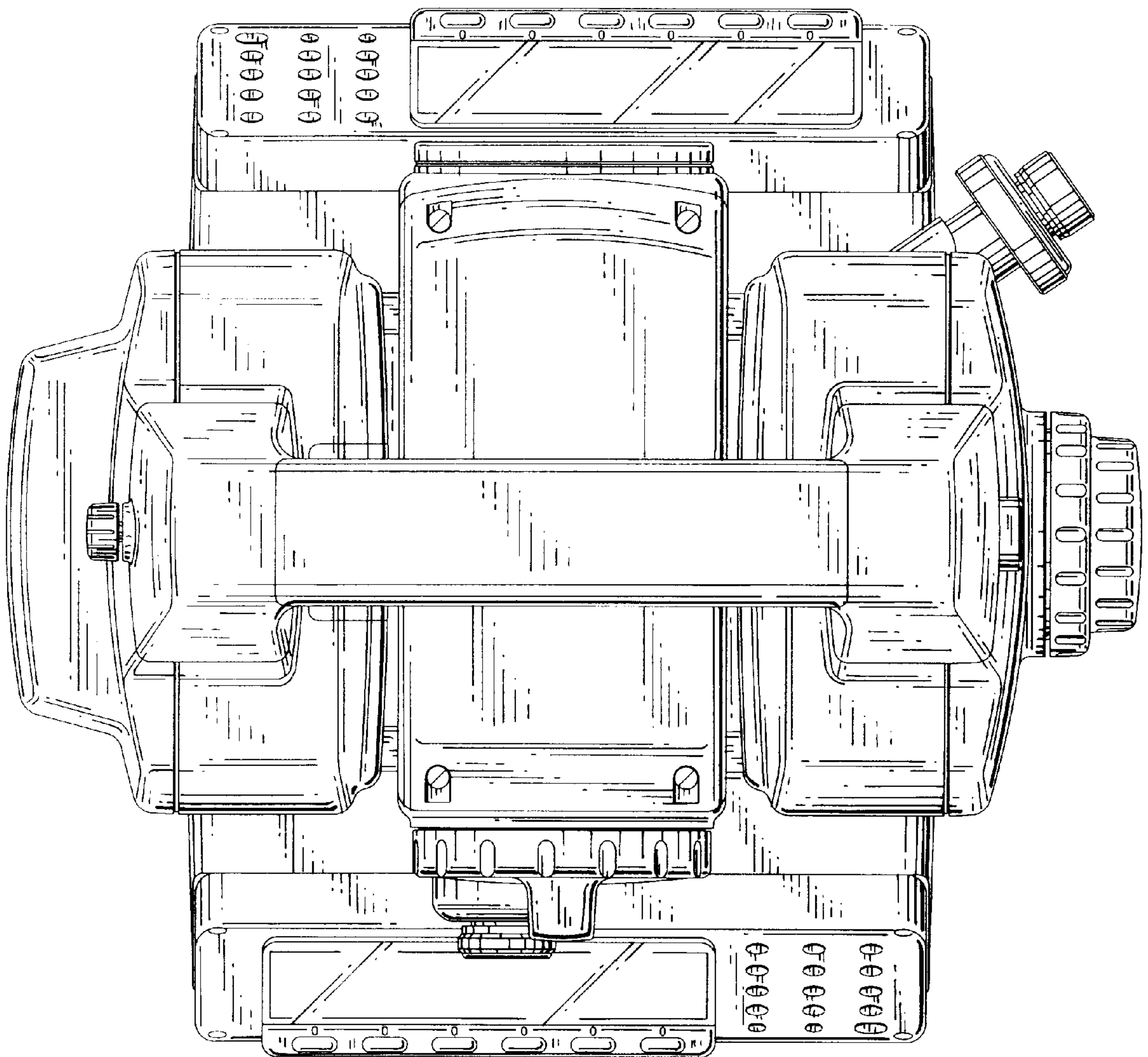


FIG. 7

