



US00D409506S

United States Patent [19] Arhendt

[11] **Patent Number: Des. 409,506**

[45] **Date of Patent: ** May 11, 1999**

[54] **SCORE TABLE**

[75] Inventor: **Jeffrey S. Arhendt**, Spokane, Wash.

[73] Assignee: **Professional Sports Marketing, Inc.**,
Spokane, Wash.

[**] Term: **14 Years**

[21] Appl. No.: **29/088,036**

[22] Filed: **May 13, 1998**

[51] **LOC (6) Cl.** **21-01**

[52] **U.S. Cl.** **D10/46.1**

[58] **Field of Search** D10/46, 46.1,
D10/33, 37; 116/222-225, 280, 286; 235/103,
88 G

[56] **References Cited**

U.S. PATENT DOCUMENTS

- D. 232,447 8/1974 Buren D10/46.1
- D. 248,332 6/1978 Bailey et al. D10/46.1 X
- D. 330,168 10/1992 Stoian D10/46.1
- D. 332,056 12/1992 Oakes D10/46.1

- D. 358,557 5/1995 Waterman D10/46.1
- D. 378,280 3/1997 Furr et al. D10/46.1
- 3,722,461 3/1973 Forman 116/223
- 5,620,099 4/1997 Bickett et al. 116/222 X

Primary Examiner—Prabhakar Deshmukh
Attorney, Agent, or Firm—Wells, St. John, Roberts, Gregory
& Matkin, P.S.

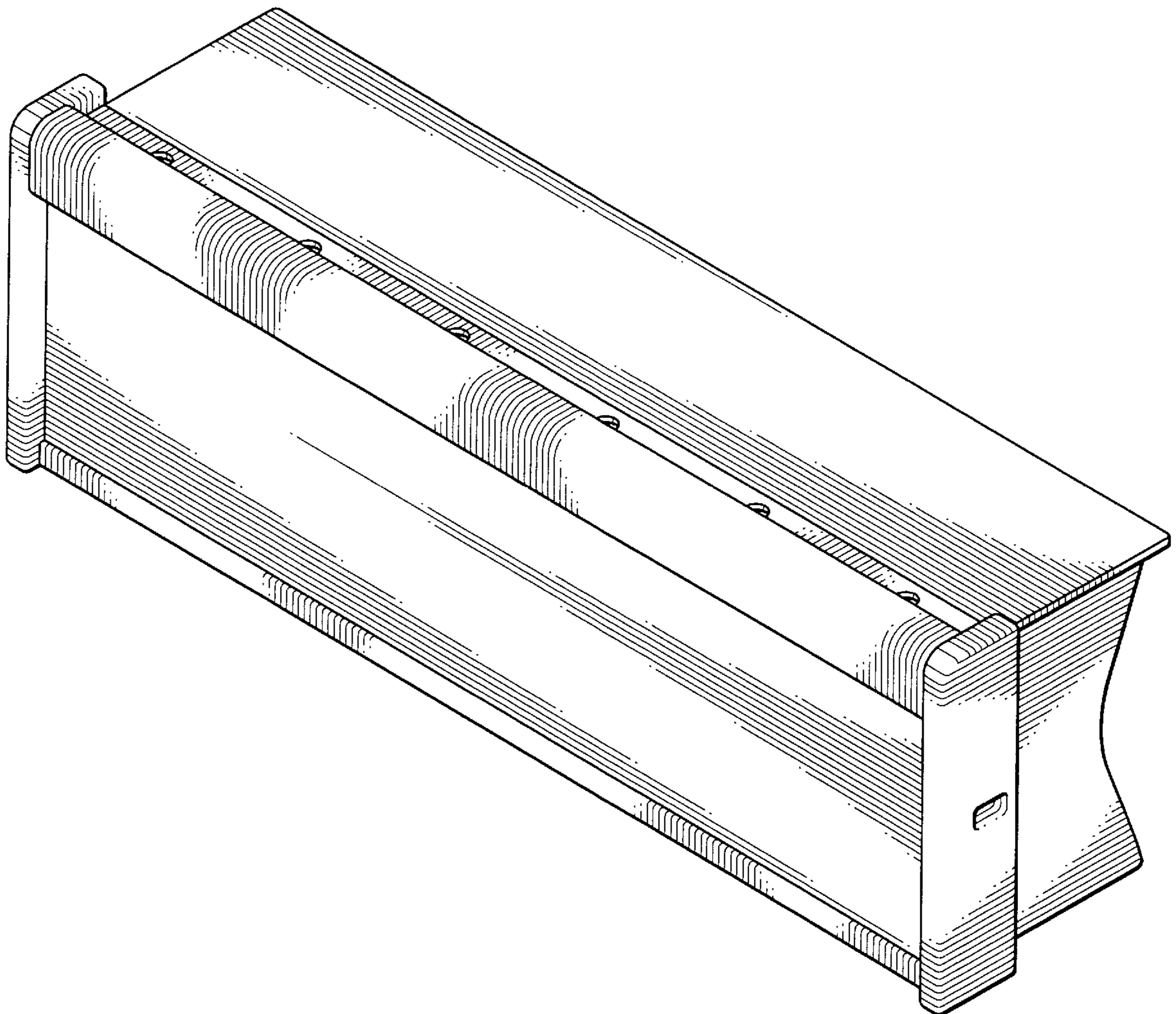
[57] **CLAIM**

The ornamental design for a score table, as shown and described.

DESCRIPTION

FIG. 1 is a perspective view of a score table showing my new design;
FIG. 2 is a top plan view thereof;
FIG. 3 is a front elevational view thereof; and,
FIG. 4 is a right side elevational view thereof; the left side elevational view being a mirror image thereof.
The bottom is plain and unornamented. The rear of the design not shown is disclaimed.

1 Claim, 2 Drawing Sheets



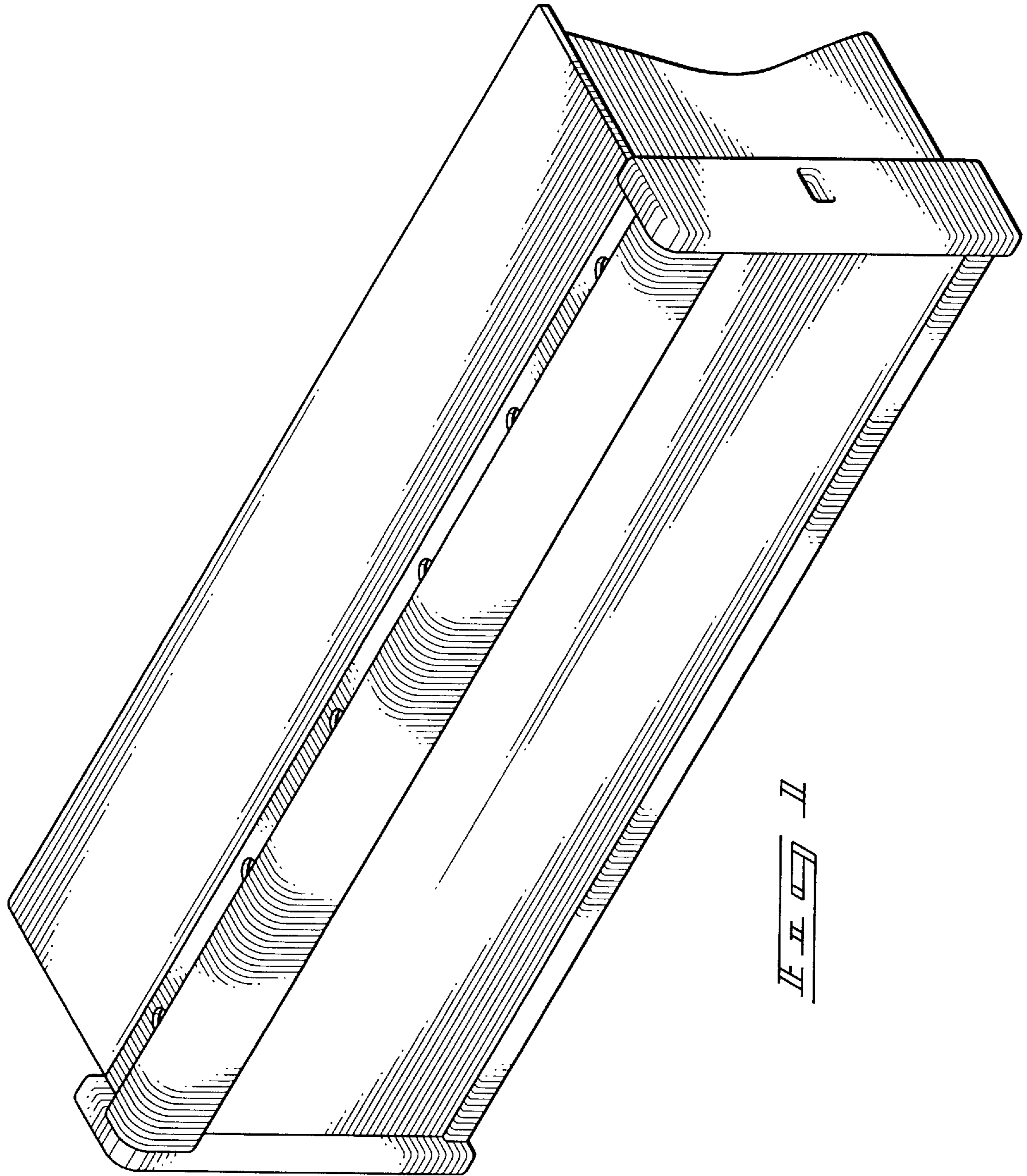


FIG. 1

