



US00D409505S

United States Patent [19]

[11] **Patent Number: Des. 409,505**

Janda et al.

[45] **Date of Patent: ** May 11, 1999**

[54] **FRONT HOUSING FOR AN ELECTRONIC
TIMER**

OTHER PUBLICATIONS

[75] Inventors: **Rudolph W. Janda; Kenneth W.
Michaels**, both of Spring Grove, Ill.

Grässlin Catalog—1994—Timer V86/2 Digi creib at top left.

[73] Assignee: **Intermatic Incorporated**, Spring Grove, Ill.

Primary Examiner—Nelson C. Holtje
Attorney, Agent, or Firm—Brinks, Hofer, Gilson & Lione

[**] Term: **14 Years**

[57] CLAIM

[21] Appl. No.: **29/068,668**

The ornamental design for front housing for an electronic timer, as shown.

[22] Filed: **Mar. 18, 1997**

DESCRIPTION

[51] **LOC (6) Cl.** **10-03**

FIG. 1 is a perspective view of front housing for an electronic timer showing our new design;

[52] **U.S. Cl.** **D10/40**

FIG. 2 is a side view thereof;

[58] **Field of Search** D10/1-40, 122-132,
D10/75; 200/38 R; 307/140 R, 141 R, 141.4;
368/97-100, 107-109, 121, 246

FIG. 3 is a front view thereof;

FIG. 4 is an opposite side view thereof;

FIG. 5 is a back view thereof;

FIG. 6 is a top view thereof; and,

FIG. 7 is a bottom view thereof.

[56] References Cited

U.S. PATENT DOCUMENTS

D. 248,149	6/1978	Fujita	D10/40
D. 270,715	9/1983	Pierethian	D10/40
D. 310,338	9/1990	Cureton	D10/40
D. 352,667	11/1994	Cheh	D10/40

The broken line showing of a plate and rear housing is for environmental purposes only and forms no part of the claimed design.

1 Claim, 4 Drawing Sheets

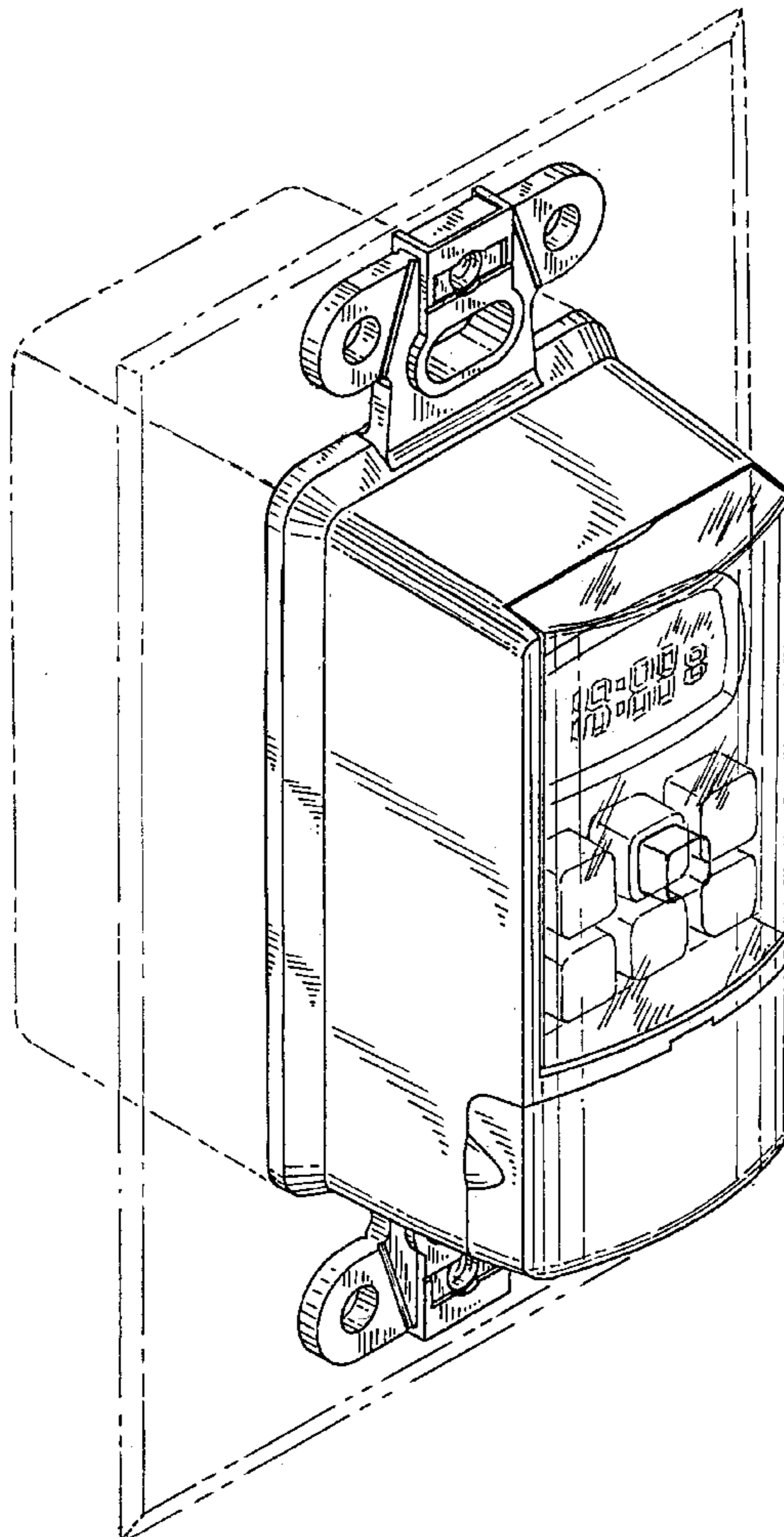
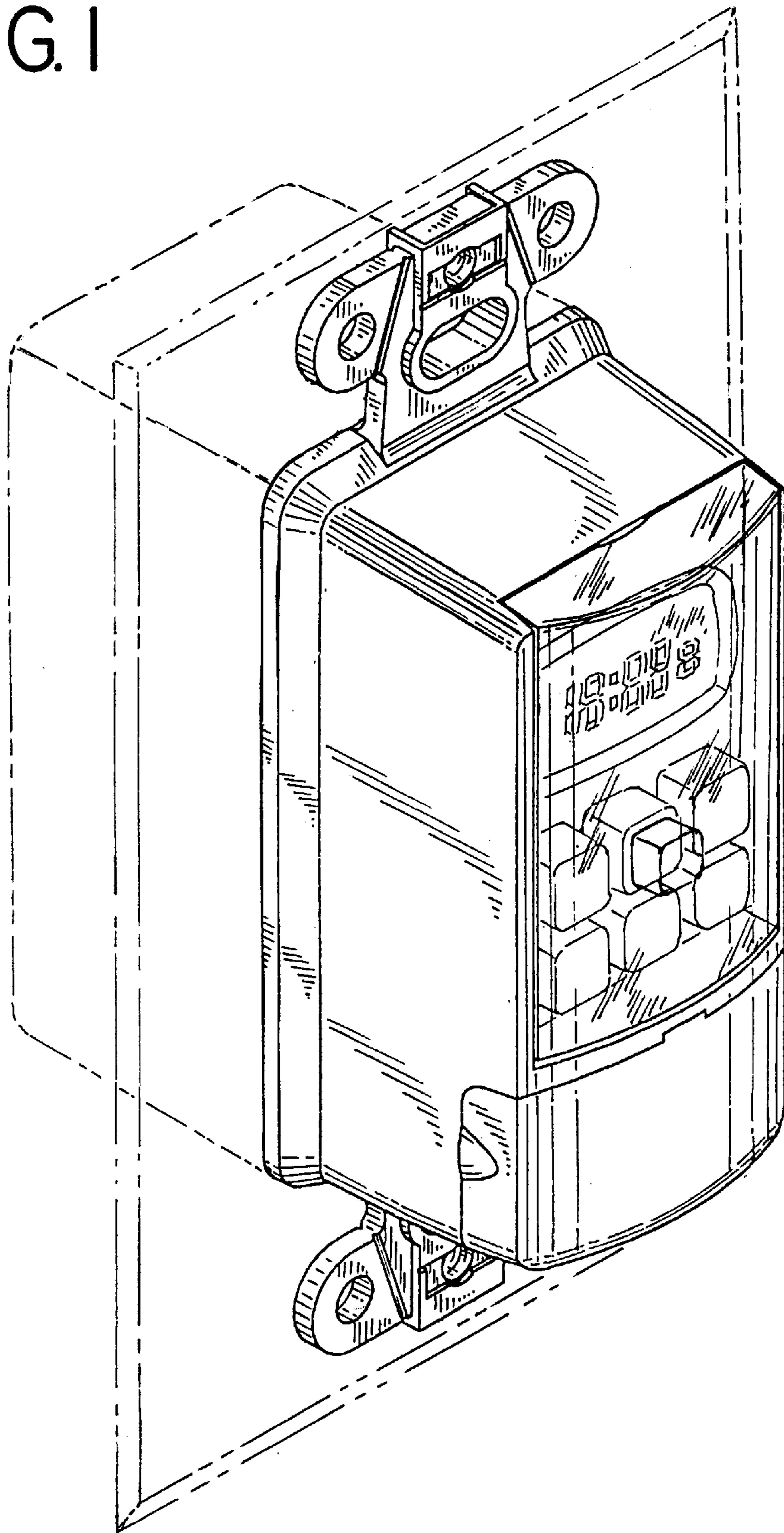


FIG. 1



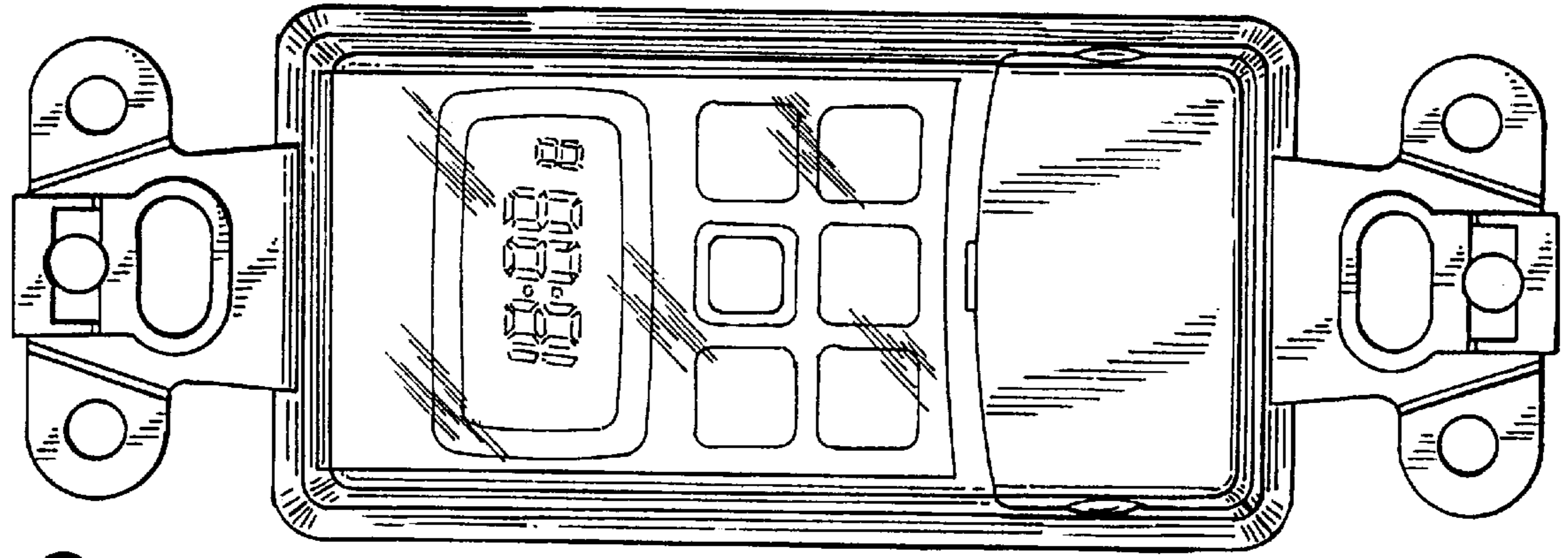


FIG. 3

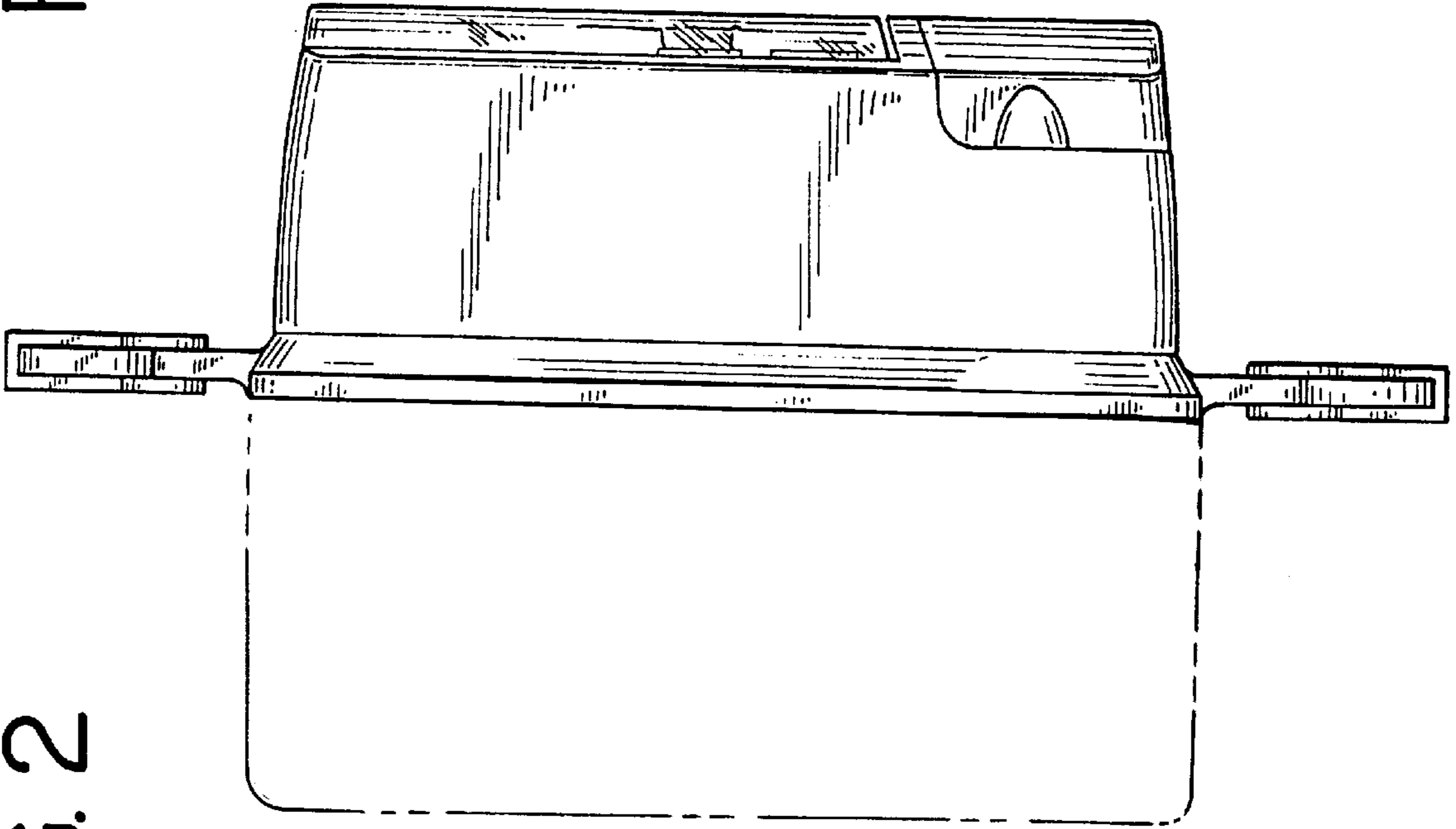


FIG. 2

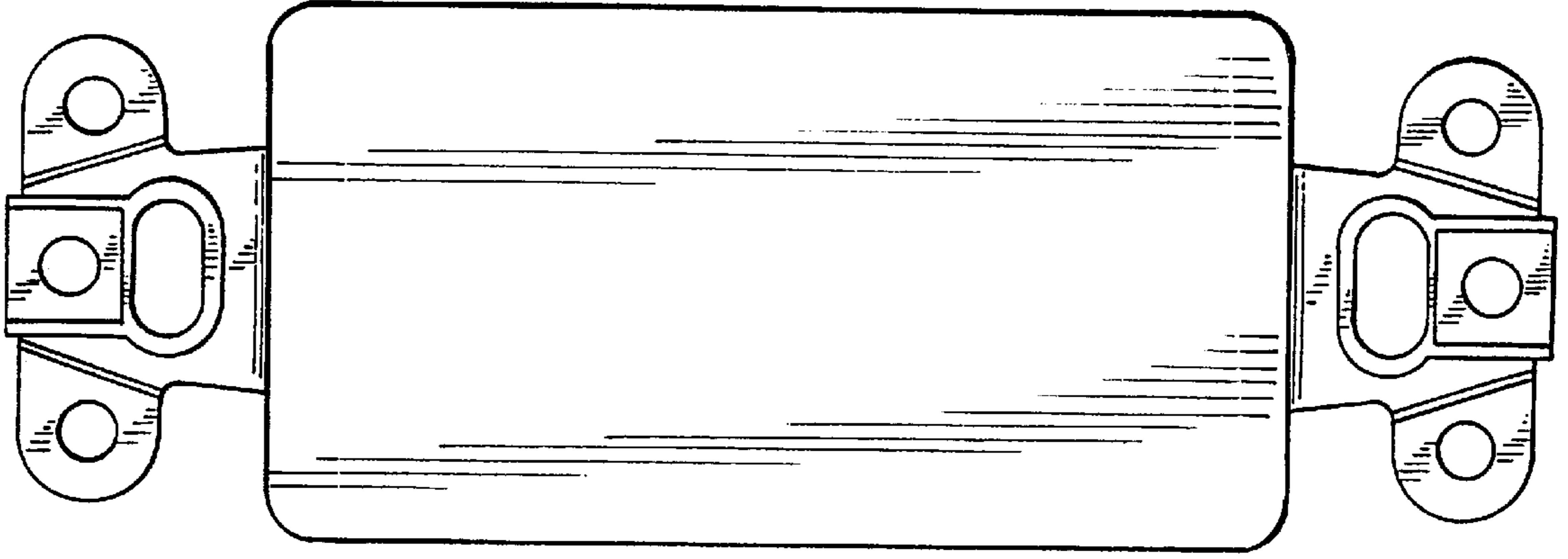


FIG. 5

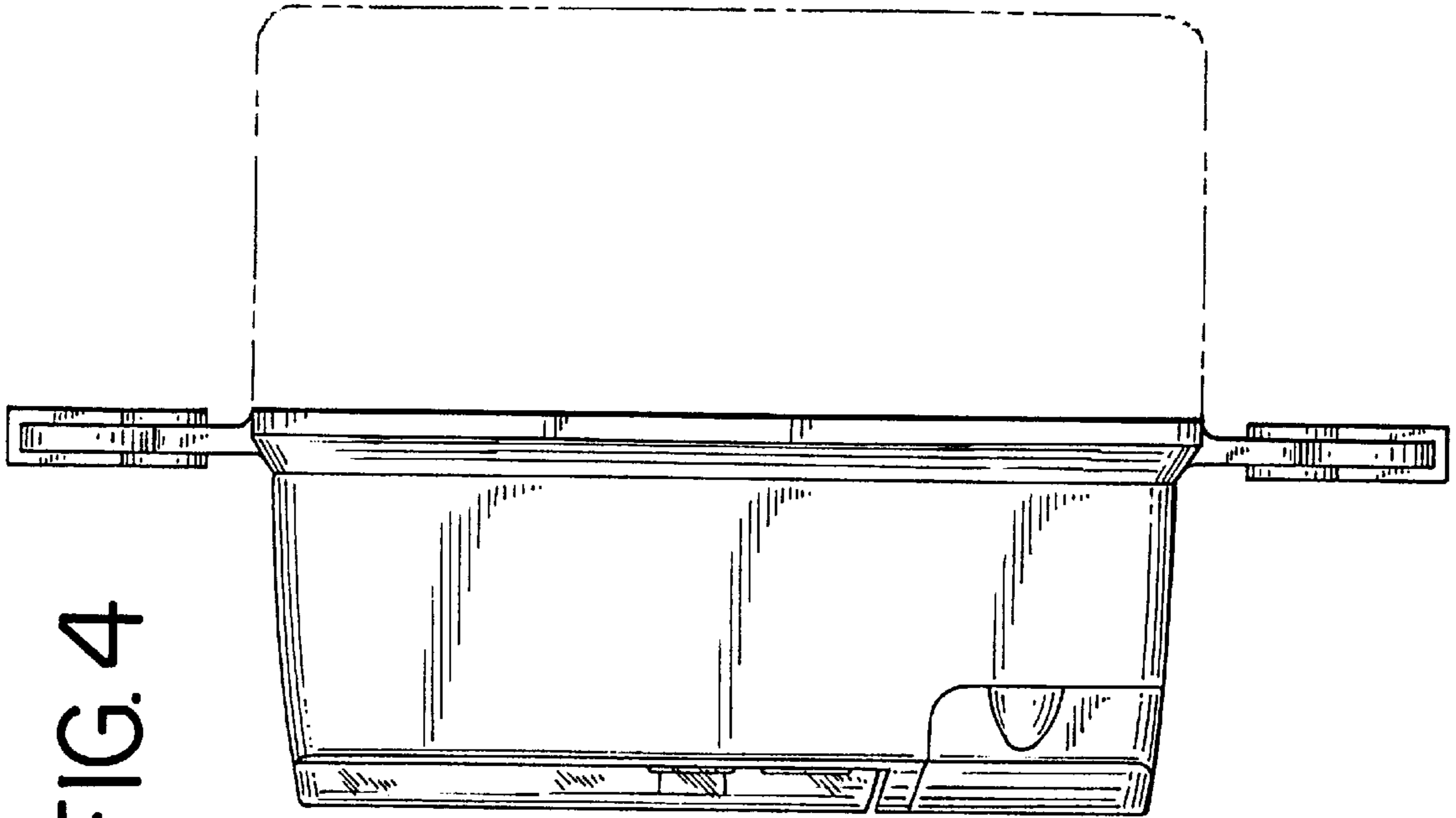


FIG. 4

FIG. 6

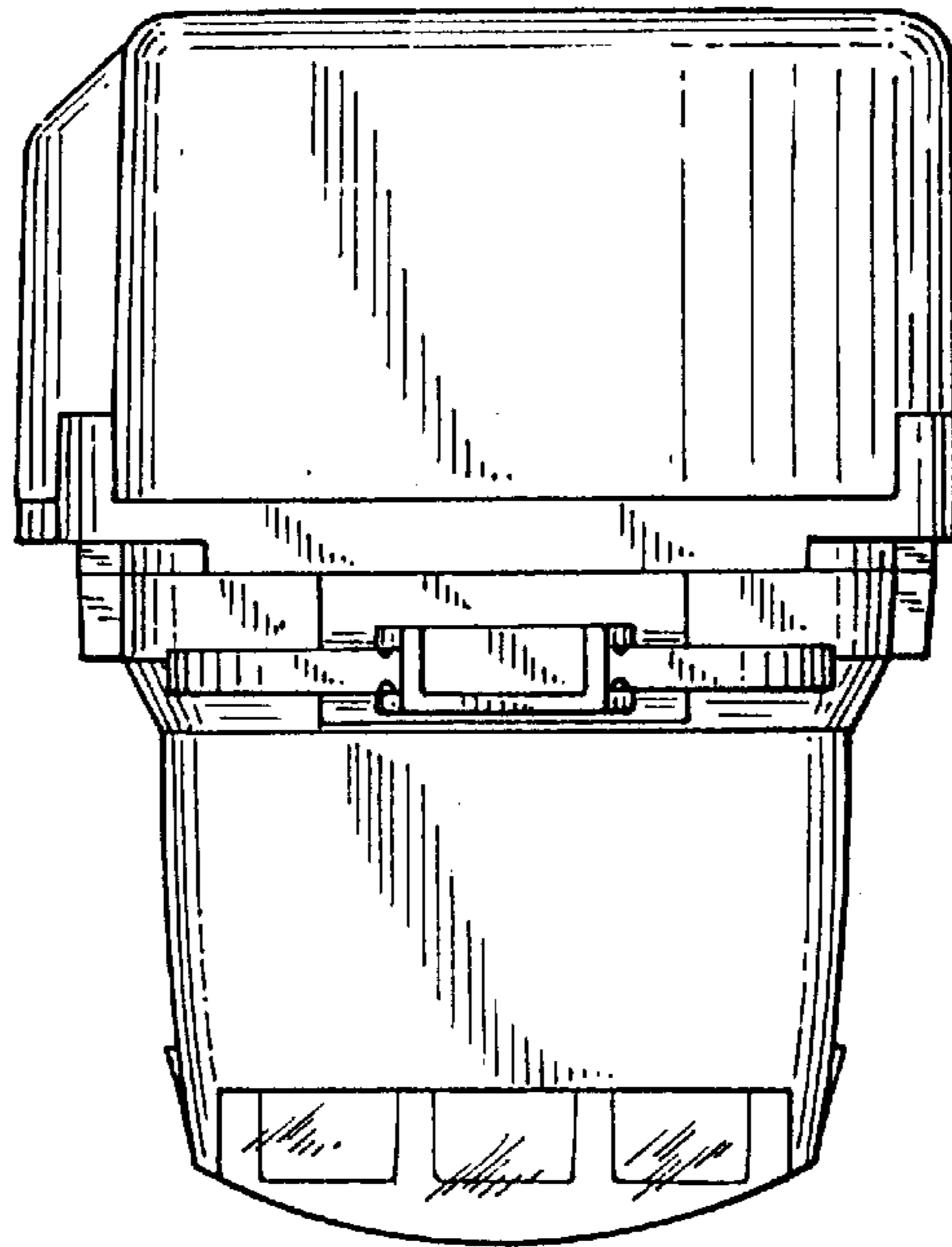


FIG. 7

