



US00D409500S

United States Patent [19] Hargrove, III

[11] Patent Number: **Des. 409,500**

[45] Date of Patent: **** May 11, 1999**

[54] **CLOCK**

[75] Inventor: **Walter Edward Hargrove, III**, Athens, Ga.

[73] Assignee: **GTC Properties, Inc.**, Wilmington, Del.

[**] Term: **14 Years**

[21] Appl. No.: **29/093,876**

[22] Filed: **Sep. 21, 1998**

[51] **LOC (6) Cl.** **10-01**

[52] **U.S. Cl.** **D10/15; D10/24**

[58] **Field of Search** D10/1-40, 122-132; 368/223, 228-229, 232, 276-277, 280-282, 285, 28-30, 41-44, 239-242, 10

[56] **References Cited**

U.S. PATENT DOCUMENTS

- D. 250,252 11/1978 Booty D10/15
- D. 304,453 11/1989 Matsushima D14/170
- D. 375,690 11/1996 Plogman D10/15

OTHER PUBLICATIONS

Retail Home Furnishings —Jul. 11, 1977—Sec. 2, p. 8—dig. clock at center.

Primary Examiner—Nelson C. Holtje
Attorney, Agent, or Firm—Jones, Day, Reavis & Pogue

[57] **CLAIM**

The ornamental design for a clock, as shown and described.

DESCRIPTION

FIG. 1 is a perspective view of the clock of the present invention;

FIG. 2 is a front elevational view of the clock of FIG. 1;

FIG. 3 is a top plan view of the clock of FIG. 1;

FIG. 4 is a rear elevational view of the clock of FIG. 1; and,

FIG. 5 is a right elevational view of the clock of FIG. 1, the left side view being a mirror image thereof.

The broken line showing of “buttons ” in FIGS. 1-3 and 5 is for environmental purposes only and forms no part of the claimed design.

1 Claim, 3 Drawing Sheets

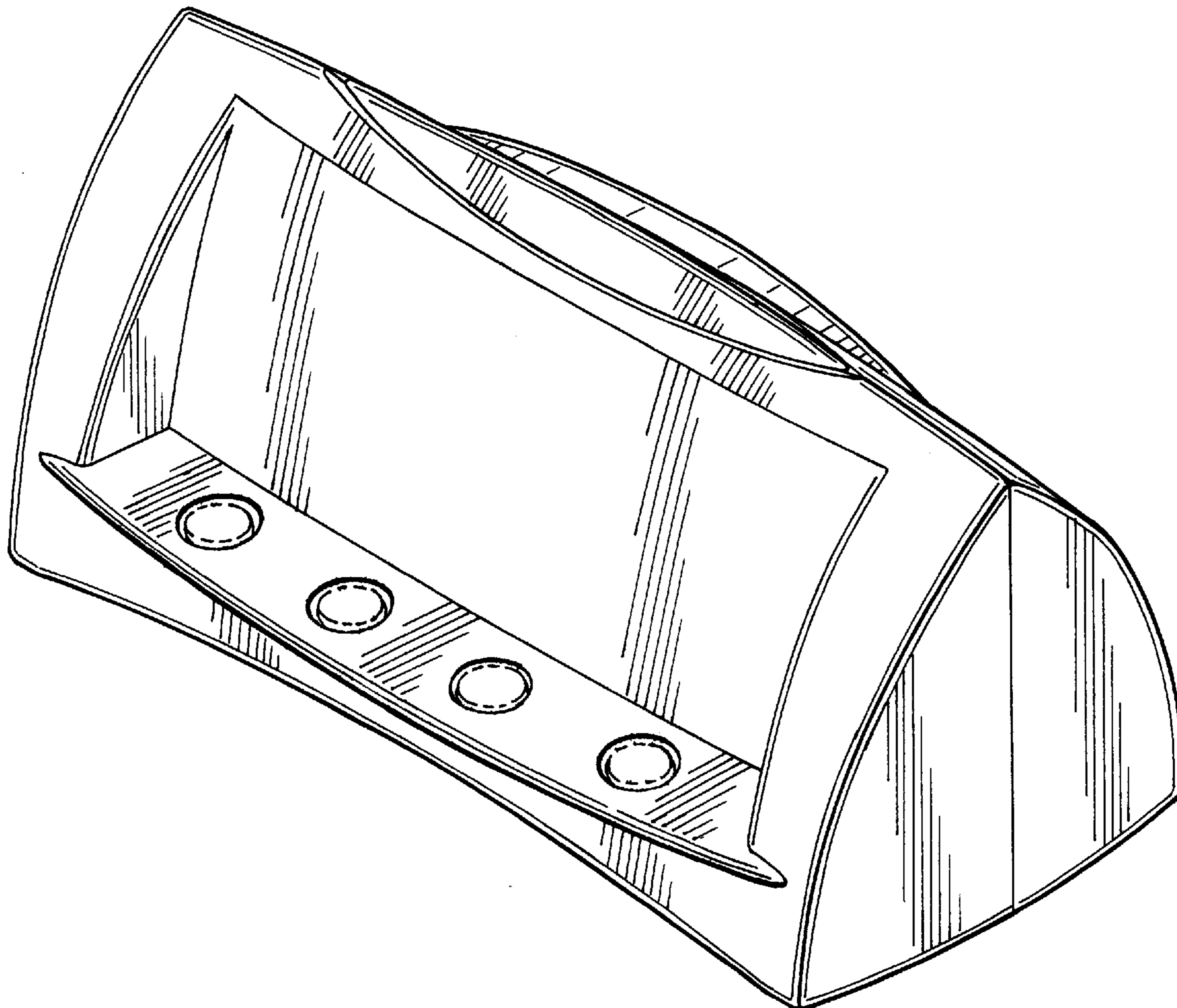


FIG. 1

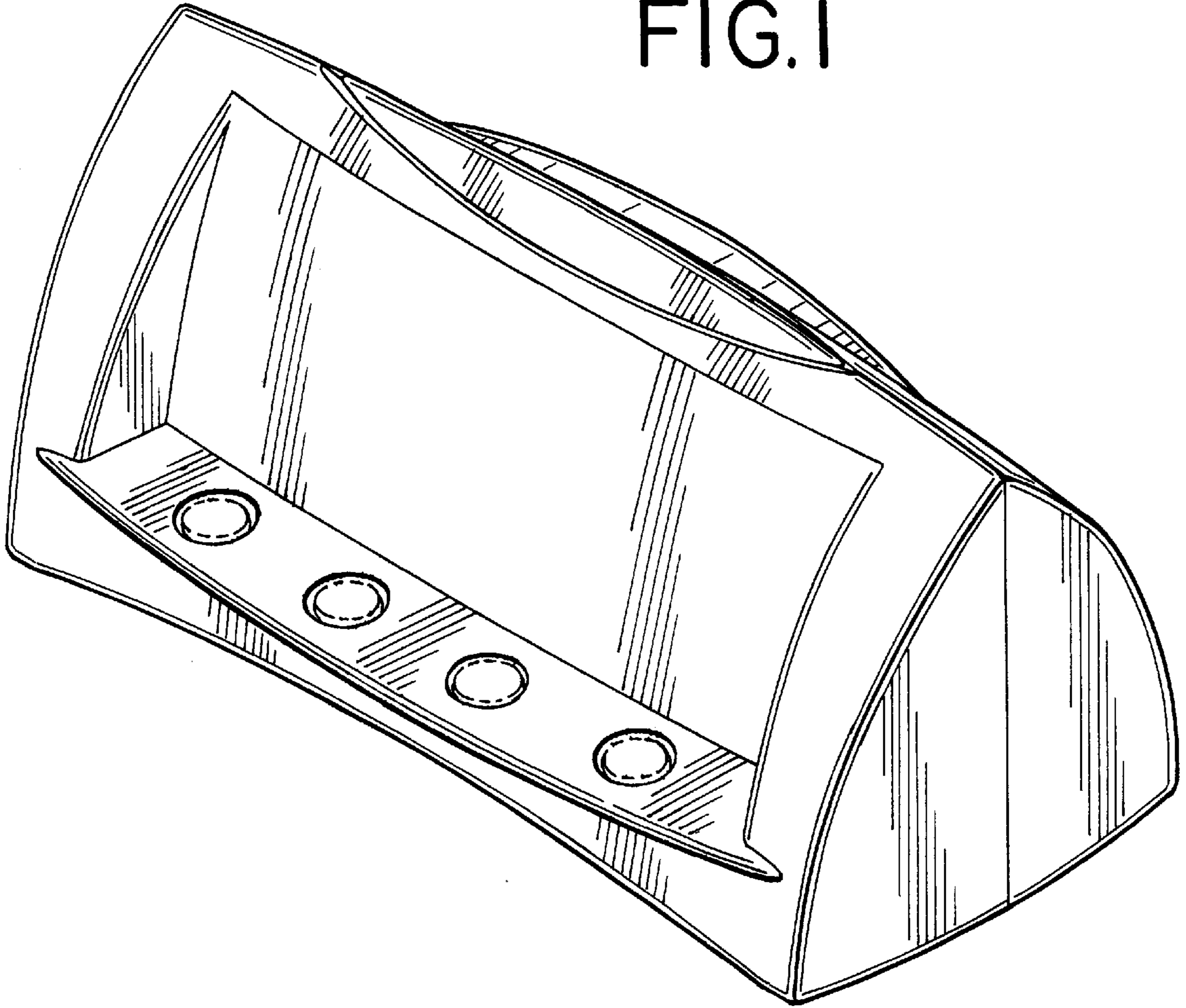


FIG. 5

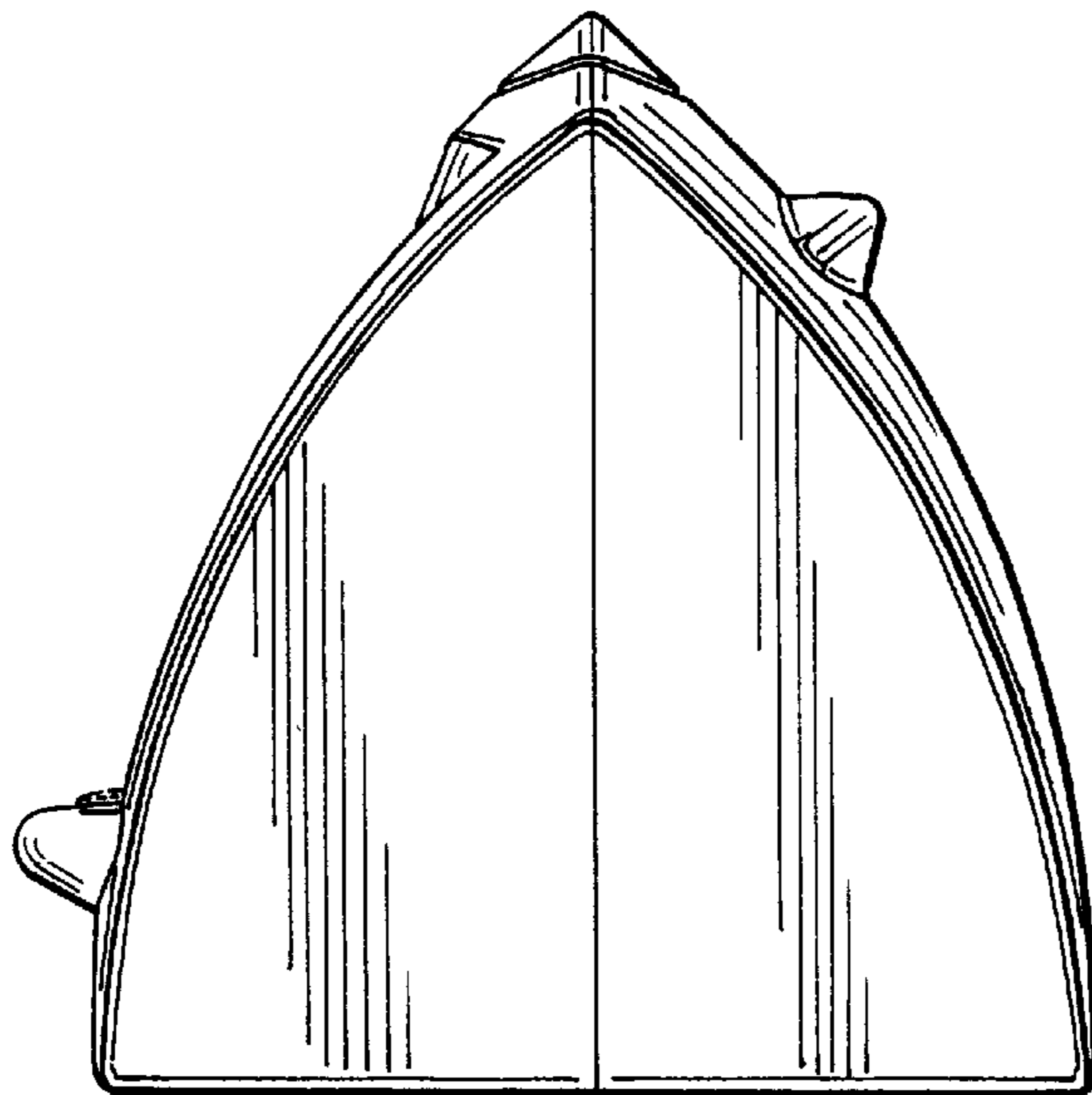


FIG.2

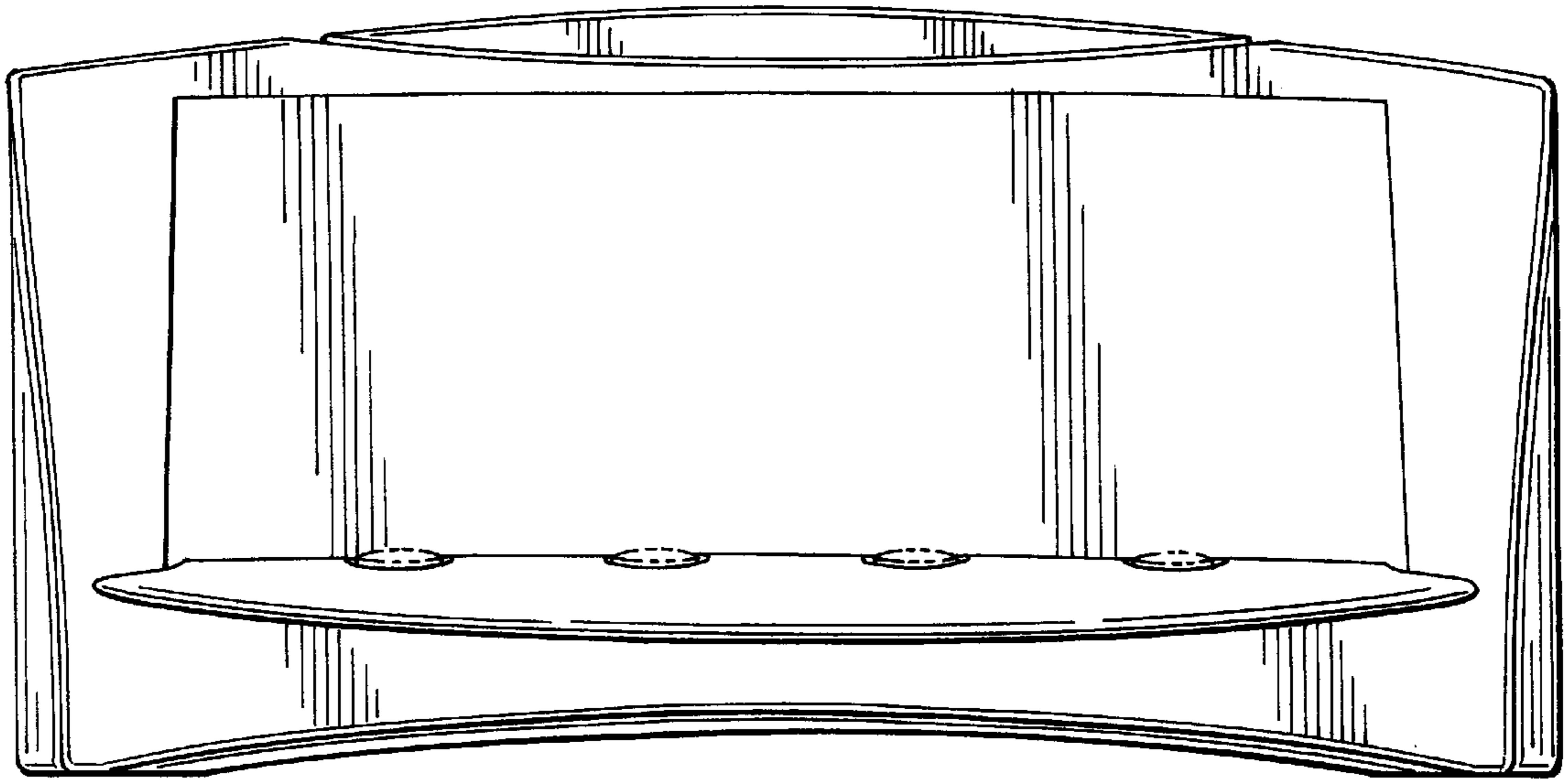


FIG.3

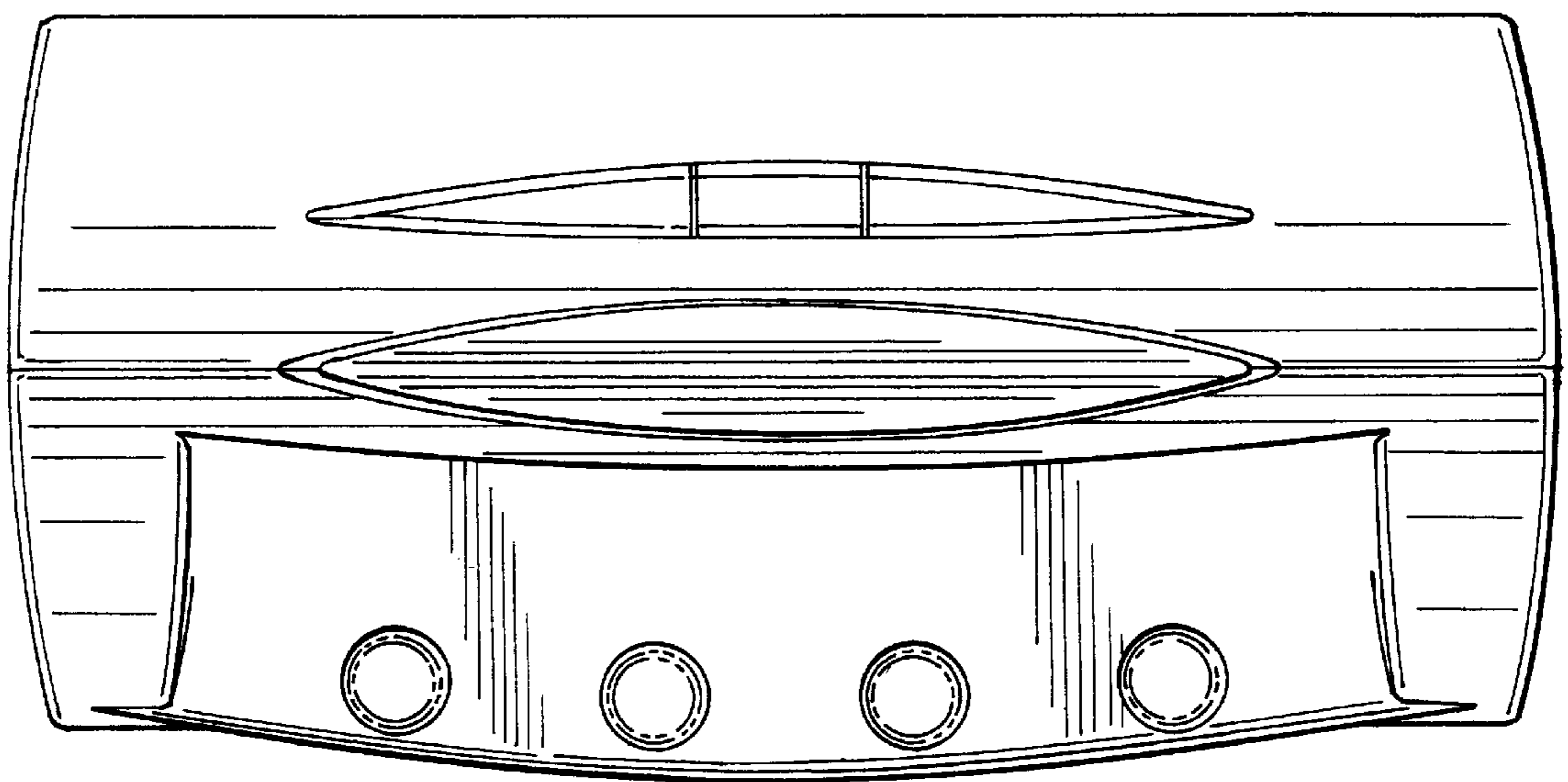


FIG.4

