



US00D409499S

United States Patent [19] Hargrove, III

[11] **Patent Number: Des. 409,499**

[45] **Date of Patent: ** May 11, 1999**

[54] **CLOCK**

[75] **Inventor: Walter Edward Hargrove, III, Athens, Ga.**

[73] **Assignee: GTC Properties, Inc., Wilmington, Del.**

[**] **Term: 14 Years**

[21] **Appl. No.: 29/084,486**

[22] **Filed: Mar. 3, 1998**

[51] **LOC (6) Cl. 10-01**

[52] **U.S. Cl. D10/15; D10/1; D10/2**

[58] **Field of Search D10/1-40, 122-132; D14/171; 368/223, 228-229, 232, 276-277, 280-282, 285, 28-30, 41-44, 239-242, 10**

D. 187,037 1/1960 Kitts .
D. 242,029 10/1976 Terada D10/15
D. 378,495 3/1997 Gillespie D10/1

Primary Examiner—Nelson C. Holtje
Attorney, Agent, or Firm—Jones, Day, Reavis & Pogue

[57] **CLAIM**

The ornamental design for a clock, as shown and described.

DESCRIPTION

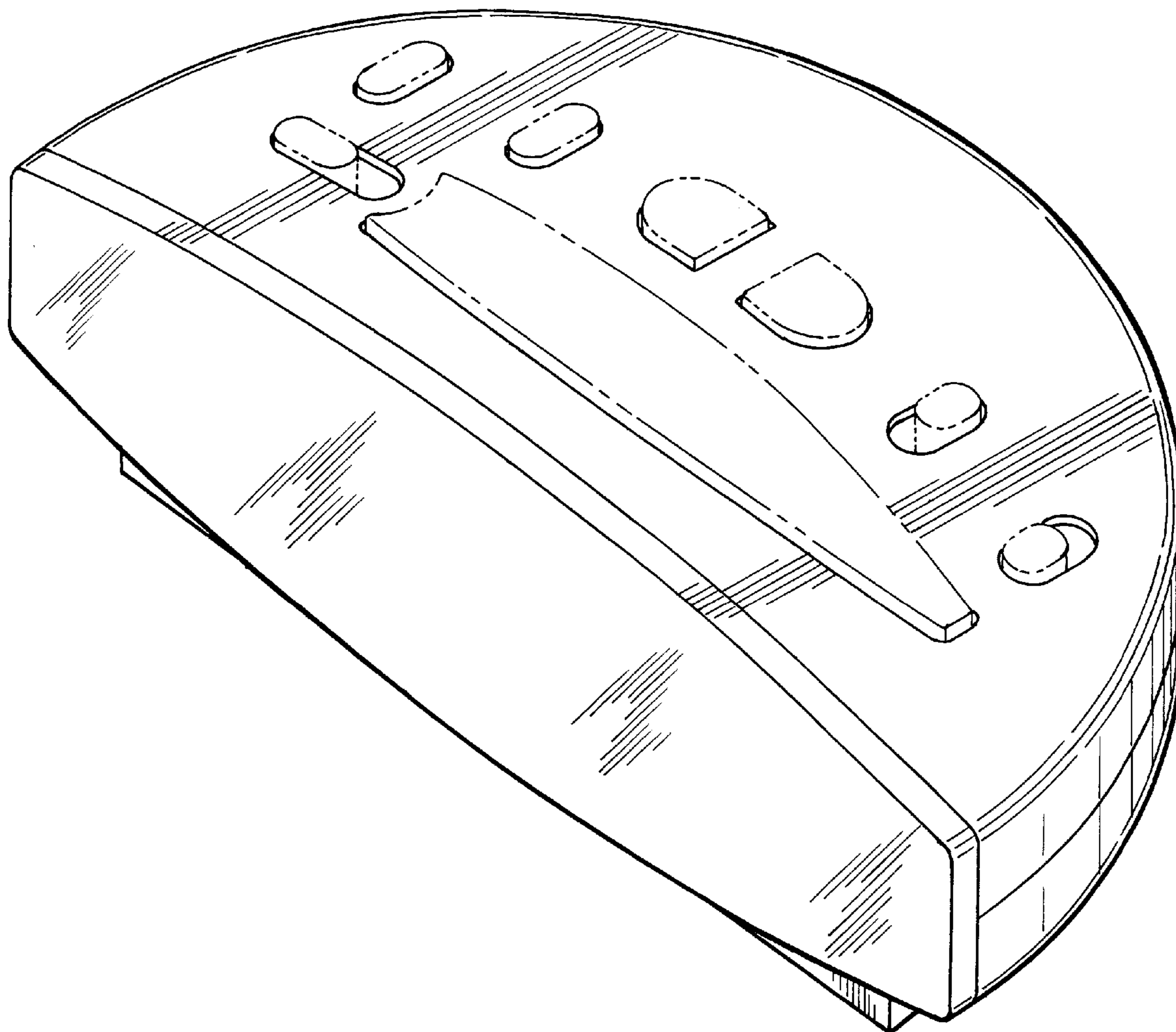
FIG. 1 is a perspective view of the clock of the present invention;
FIG. 2 is a front elevational view of the clock of FIG. 1;
FIG. 3 is a top plan view of the clock of FIG. 1;
FIG. 4 is a bottom plan view of the clock of FIG. 1; and,
FIG. 5 is a right side elevational view of the clock of FIG. 1, the left side view being a mirror image thereof.
The broken line showing of “buttons”, “dial hands”, “mounting plate” and “electrical cord” in all figures is for environmental purposes only and forms no part of the claimed design.

[56] **References Cited**

U.S. PATENT DOCUMENTS

D. 186,949 12/1959 Daher .

1 Claim, 2 Drawing Sheets



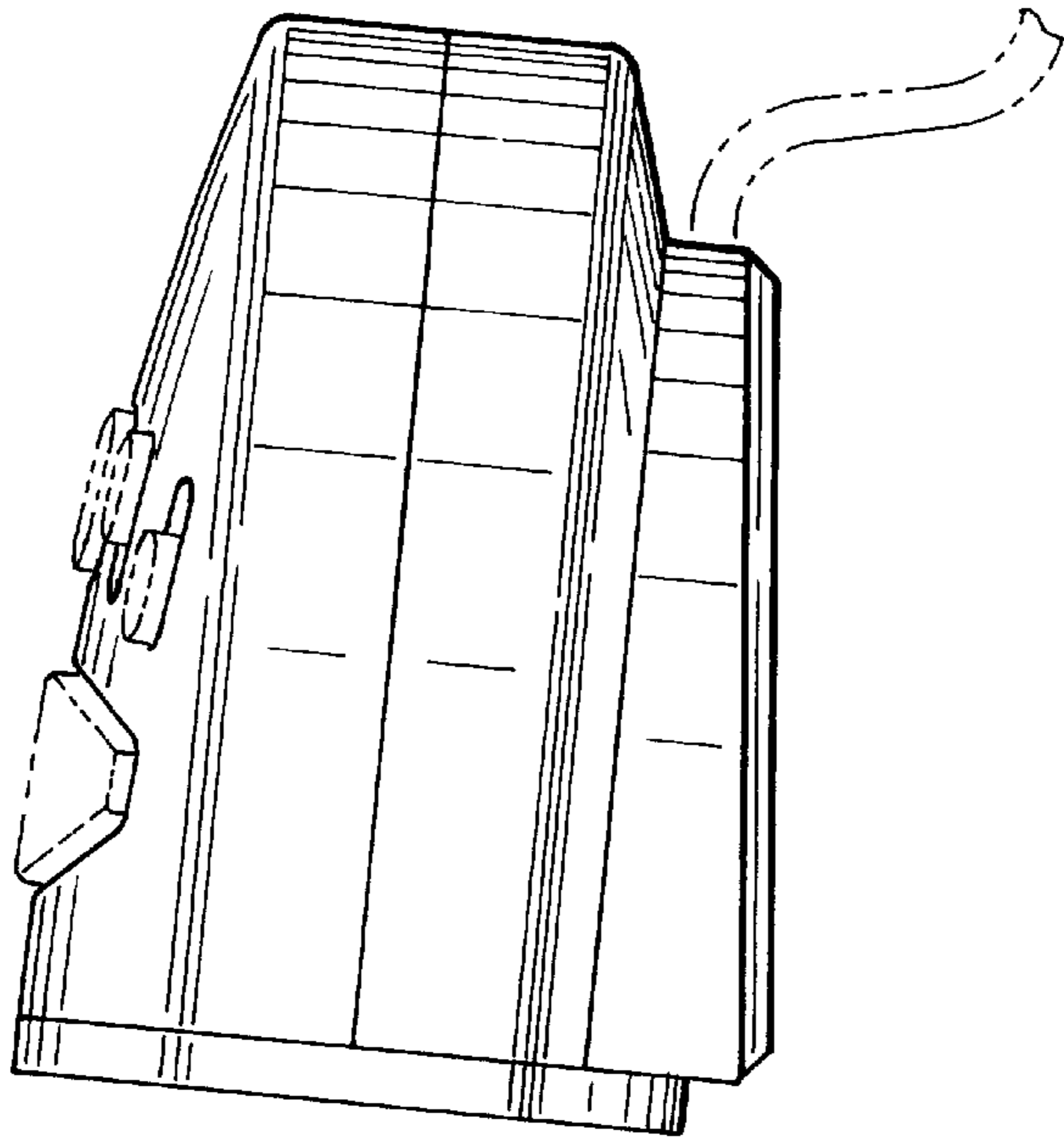


FIG. 5

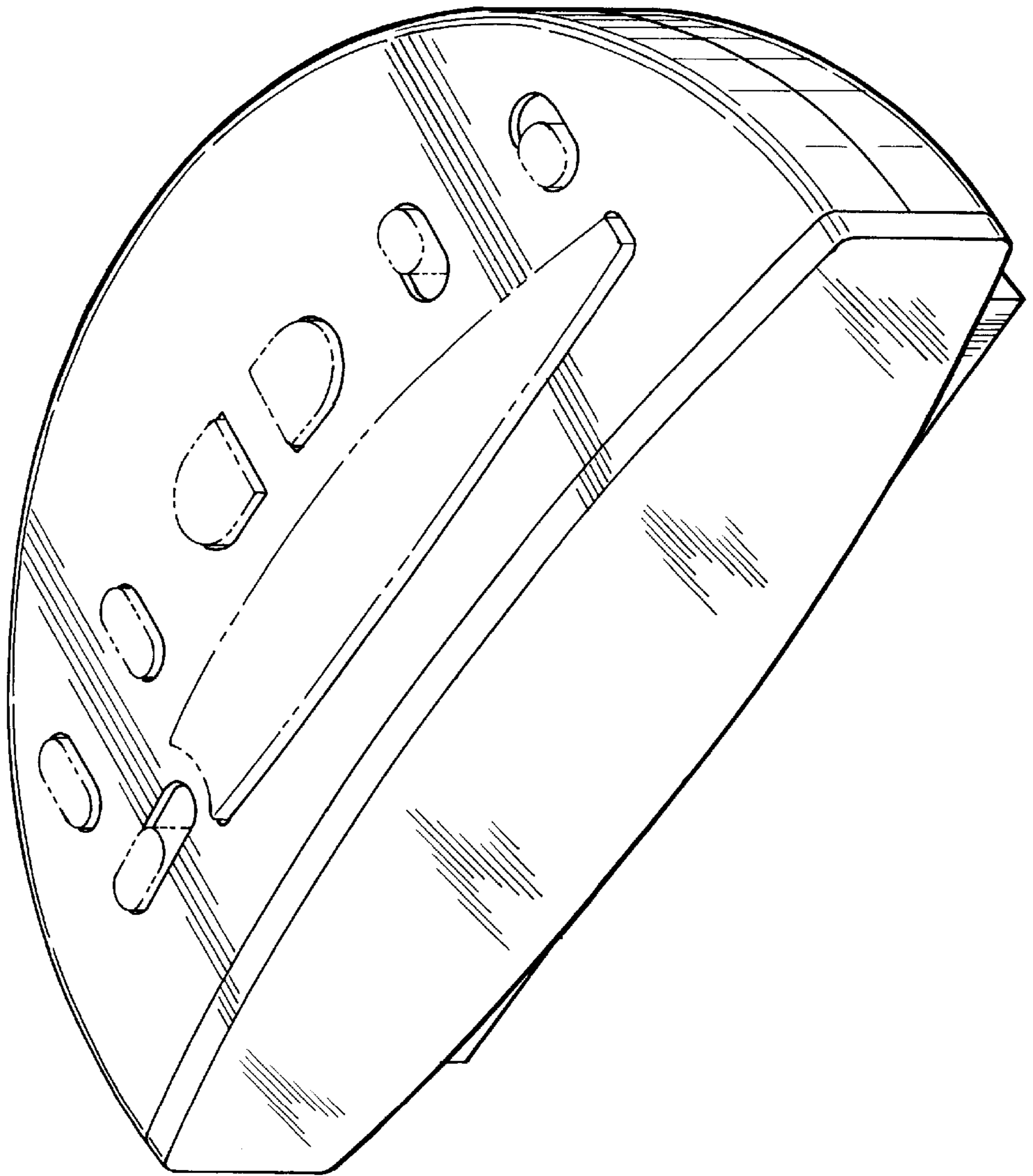


FIG. 1

FIG.2

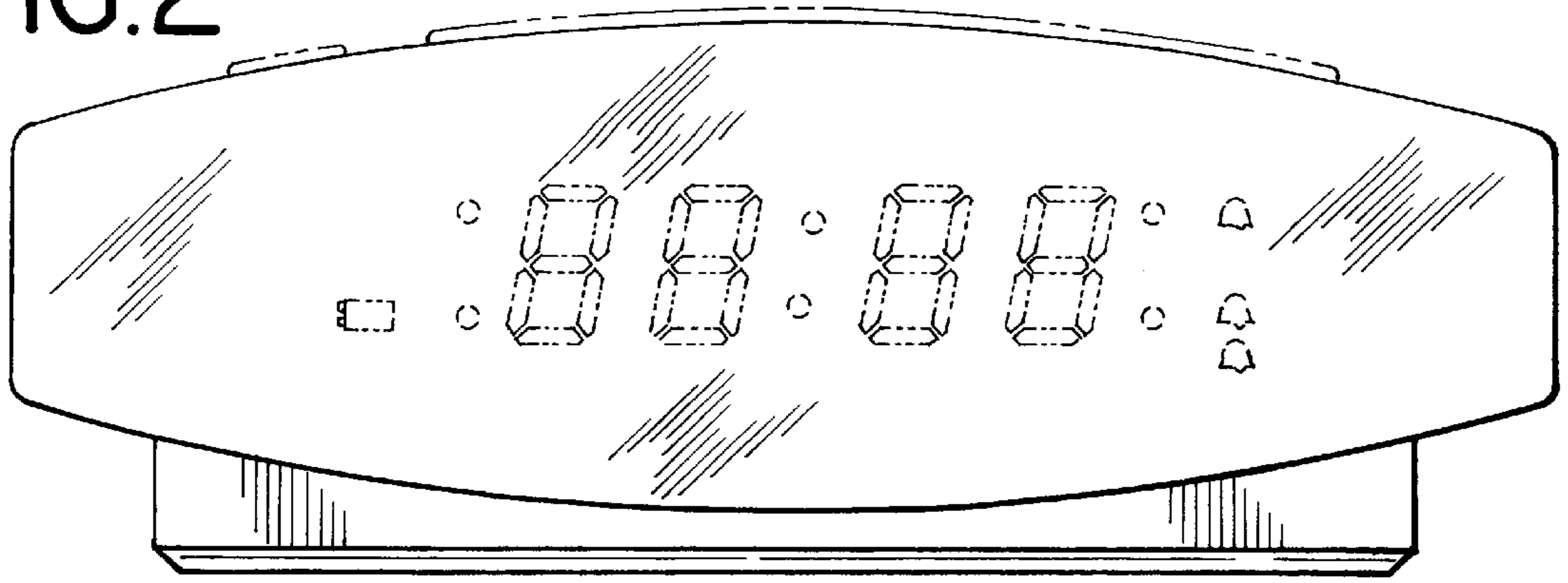


FIG.3

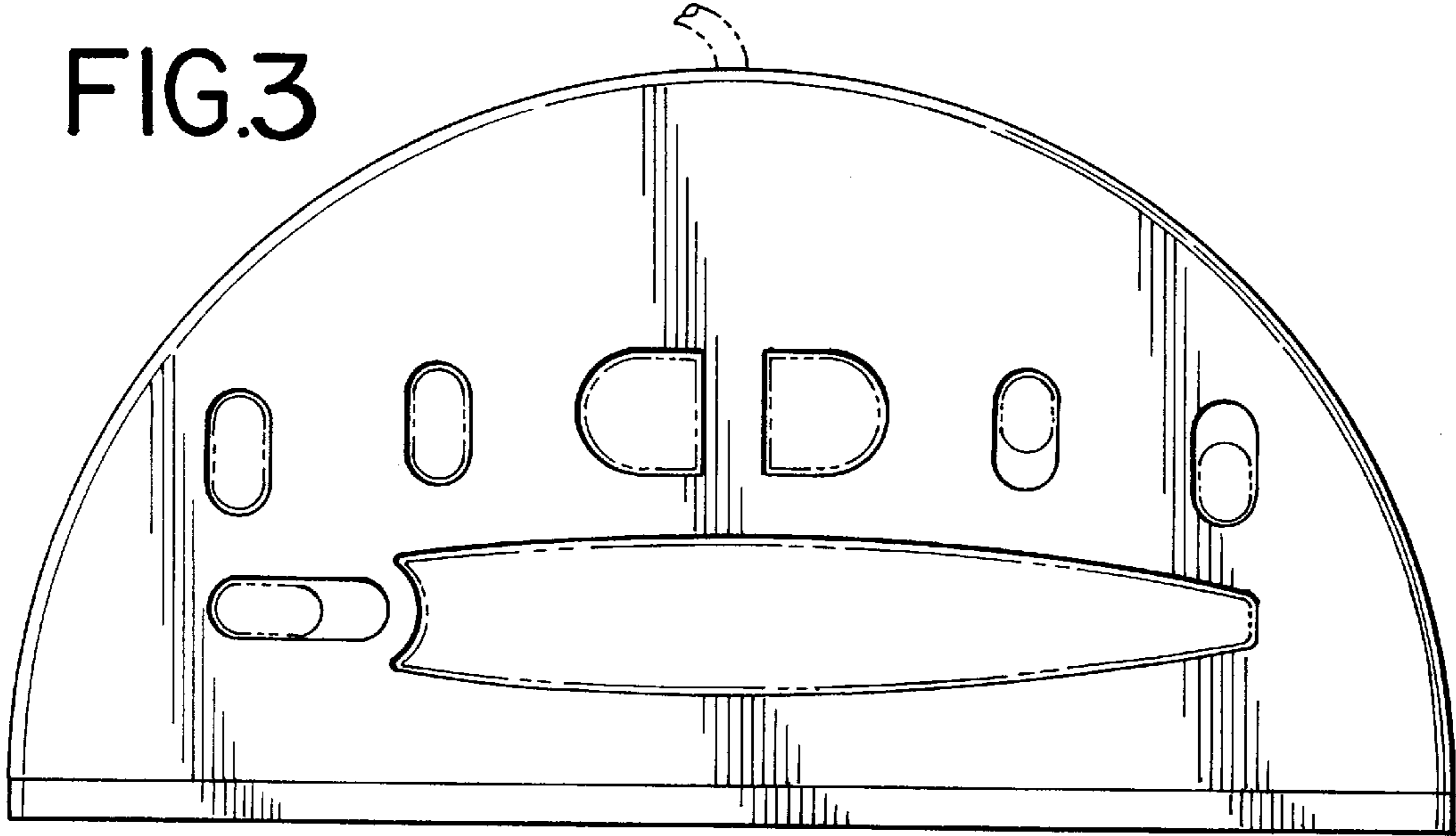


FIG.4

