



US00D409490S

United States Patent [19]

[11] **Patent Number: Des. 409,490**

Page

[45] **Date of Patent: ** May 11, 1999**

[54] **CONTAINER LID**

FOREIGN PATENT DOCUMENTS

[76] Inventor: **Christopher I. Page**, 144 Irving Ave.,
Hyannis Port, Mass. 02647

94-1547 3/1995 Sweden .

[**] Term: **14 Years**

Primary Examiner—James Gandy
Assistant Examiner—Cathron B. Matta

[21] Appl. No.: **29/087,017**

[22] Filed: **Apr. 24, 1998**

[57] **CLAIM**

The ornamental design for a container lid, as shown and described.

[51] **LOC (6) Cl.** **09-07**

DESCRIPTION

[52] **U.S. Cl.** **D9/452; D9/454**

FIG. 1 is a perspective view of the container lid;

[58] **Field of Search** D9/435, 443, 452,
D9/454; 215/DIG. 1; 220/284, 315, 324

FIG. 2 is a top view thereof;

FIG. 3 is a bottom view thereof;

[56] **References Cited**

U.S. PATENT DOCUMENTS

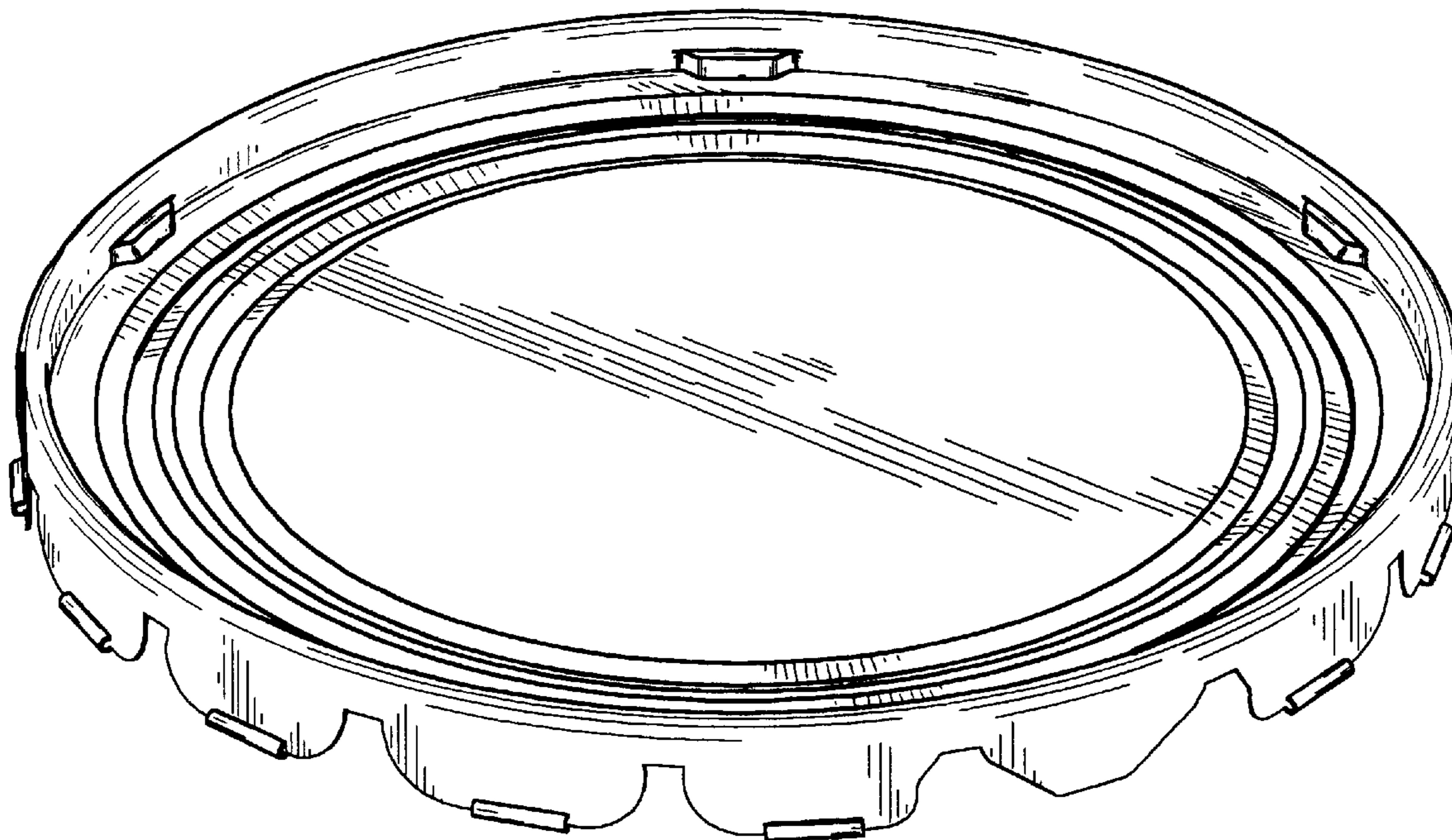
D. 200,820	4/1965	Blakslee	D9/443
D. 361,512	8/1995	Dalmaz	D9/443 X
D. 365,519	12/1995	Welch et al.	D9/454
3,532,244	10/1970	Yates, Jr.	215/DIG. 1 X
3,670,951	6/1972	Smith	220/315 X

FIG. 4 is a side elevational view of the container lid in the direction 4—4 as shown in FIG. 3.

FIG. 5 is a side elevational view of the container lid in the direction 5—5 as shown in FIG. 3; and,

FIG. 6 is a side elevational view of the container lid in the direction 6—6 as shown in FIG. 3, the opposite side view being substantially a mirror image thereof.

1 Claim, 3 Drawing Sheets



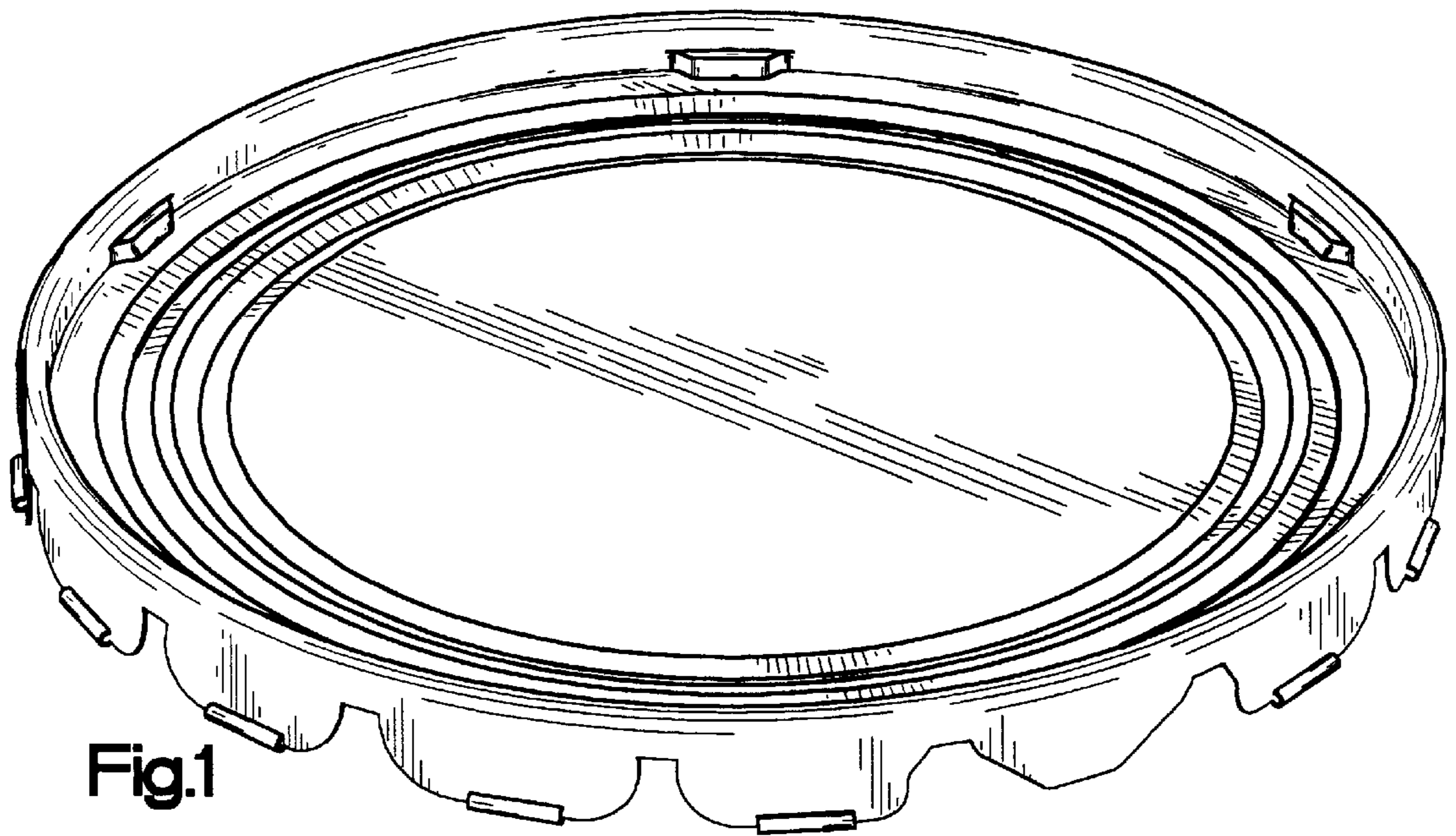


Fig.1

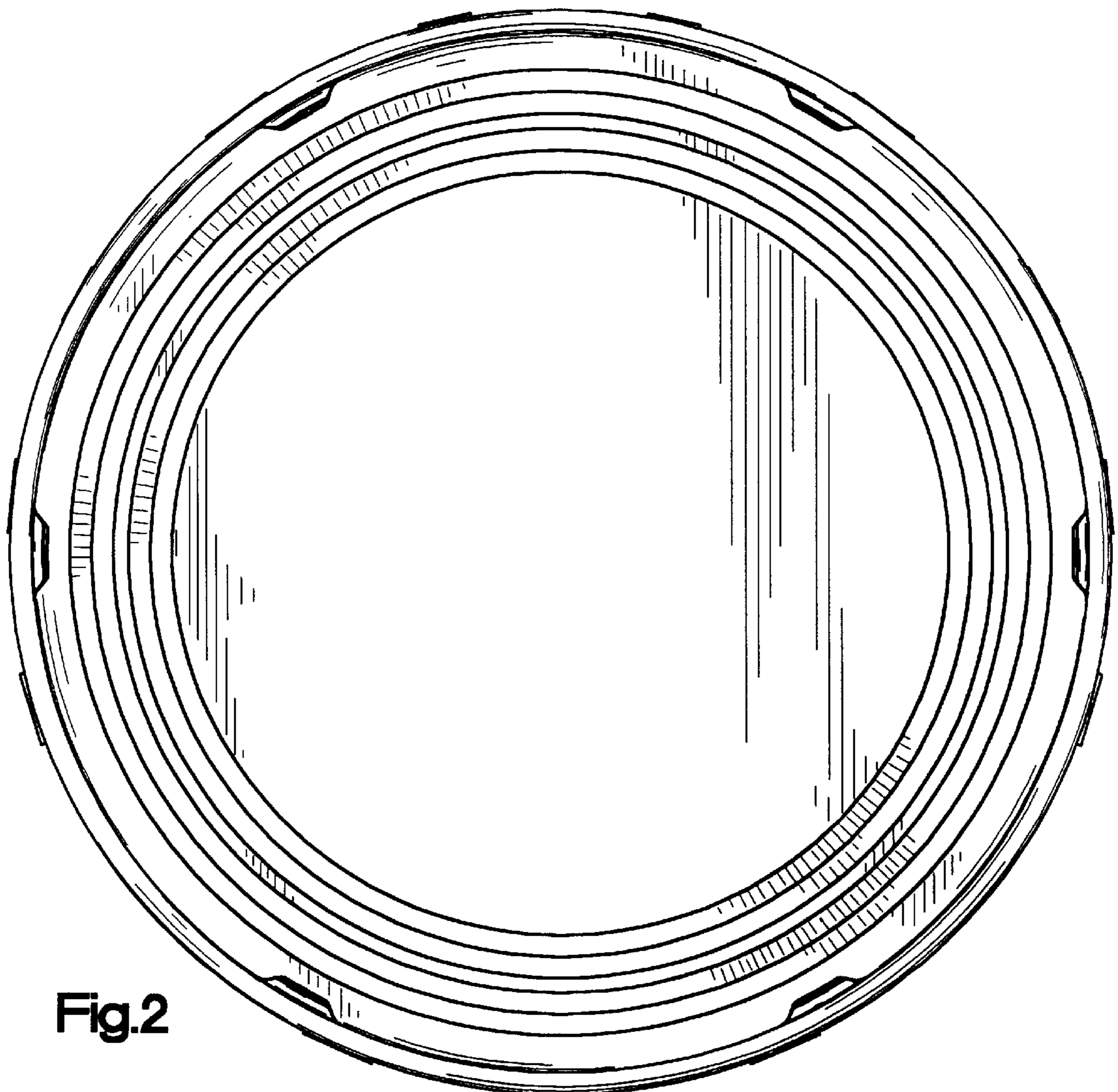


Fig.2

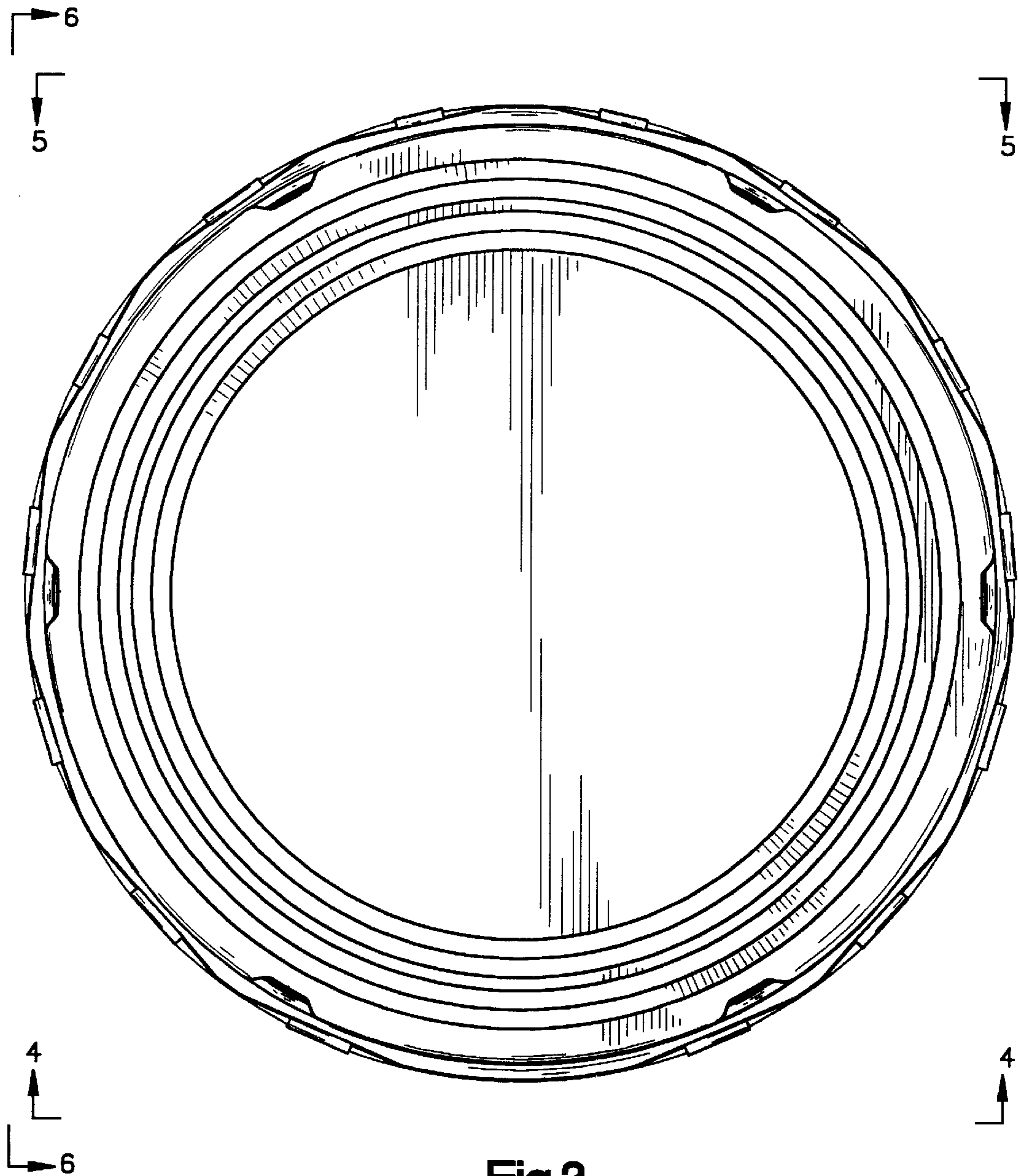


Fig.3



Fig.4

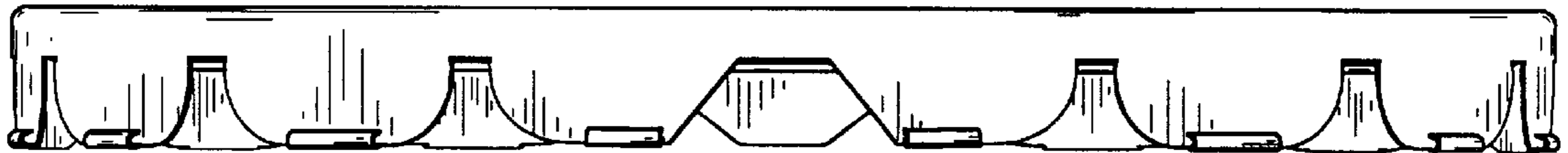


Fig.5



Fig.6