



US00D409484S

United States Patent [19] Tasker

[11] Patent Number: Des. 409,484

[45] Date of Patent: ** May 11, 1999

[54] CONTAINER WITH LID

[76] Inventor: Peter John Tasker, 83 Wheturangi Road, Greenlane, Auckland, New Zealand

[**] Term: 14 Years

[21] Appl. No.: 29/073,059

[22] Filed: Jun. 18, 1997

[51] LOC (6) Cl. 09-07

[52] U.S. Cl. D9/423; D9/432

[58] Field of Search D9/420-425, 432, D9/337, 414, 435, 443; D7/601, 629; 206/508, 216, 6.1; 220/334, 337, 339, 254, 376, 675; 229/406

[56] References Cited

U.S. PATENT DOCUMENTS

D. 245,579	8/1977	Jewell	D29/423	X
D. 330,996	11/1992	Smith et al.	D9/425	X
D. 363,663	10/1995	Plater	D9/425	
D. 363,669	10/1995	Pennoyer, Jr.	D9/423	
D. 369,970	5/1996	Cain	D9/423	
3,968,921	7/1976	Jewell	220/337	X
5,036,997	8/1991	May et al.	220/337	X
5,076,460	12/1991	Hussell	220/337	X
5,145,088	9/1992	Goujon	20/254	X
5,277,329	1/1994	Romroy et al.	229/406	X

Primary Examiner—Prabhakar G. Deshmukh
Attorney, Agent, or Firm—Jacobson, Price, Holman & Stern, PLLC

[57] CLAIM

The ornamental design for a container with lid, as shown and described.

DESCRIPTION

FIG. 1 is a top plan view of a container with lid showing my new design;
 FIG. 2 is a front elevational view thereof;
 FIG. 3 is a left side elevational view thereof;
 FIG. 4 is a right side elevational view thereof;
 FIG. 5 is a bottom plan view thereof;
 FIG. 6 is a front perspective view thereof, shown in an open position;
 FIG. 7 is a left side elevational view of FIG. 6;
 FIG. 8 is a rear perspective view of FIG. 6;
 FIG. 9 is a front and top side perspective view thereof, shown in closed position;
 FIG. 10 is a rear and bottom side perspective view of FIG. 9;
 FIG. 11 is a front elevational view of a lid assembly, shown separately for clarity;
 FIG. 12 is a left side elevational view of FIG. 11;
 FIG. 13 is a right side elevational view of FIG. 11;
 FIG. 14 is a bottom plan view of FIG. 11;
 FIG. 15 is a side elevational view of a lid assembly, shown separately for clarity and in an open position;
 FIG. 16 is a front perspective view of FIG. 15;
 FIG. 17 is a rear perspective view of FIG. 15;
 FIG. 18 is a top perspective view of a lid assembly, shown separately for clarity and in a closed position; and,
 FIG. 19 is a rear and bottom side perspective view of FIG. 18.

1 Claim, 11 Drawing Sheets

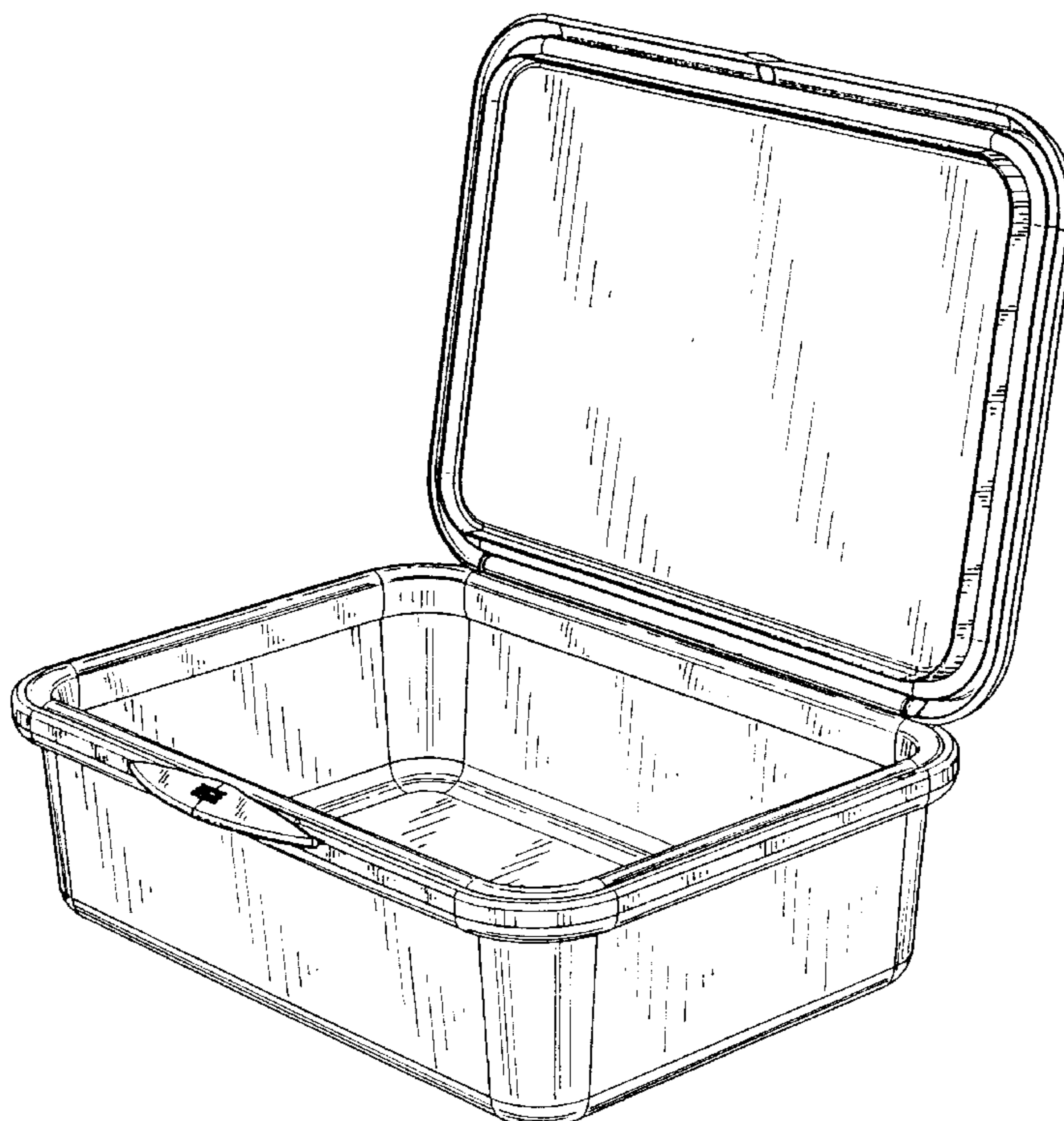


FIGURE 1

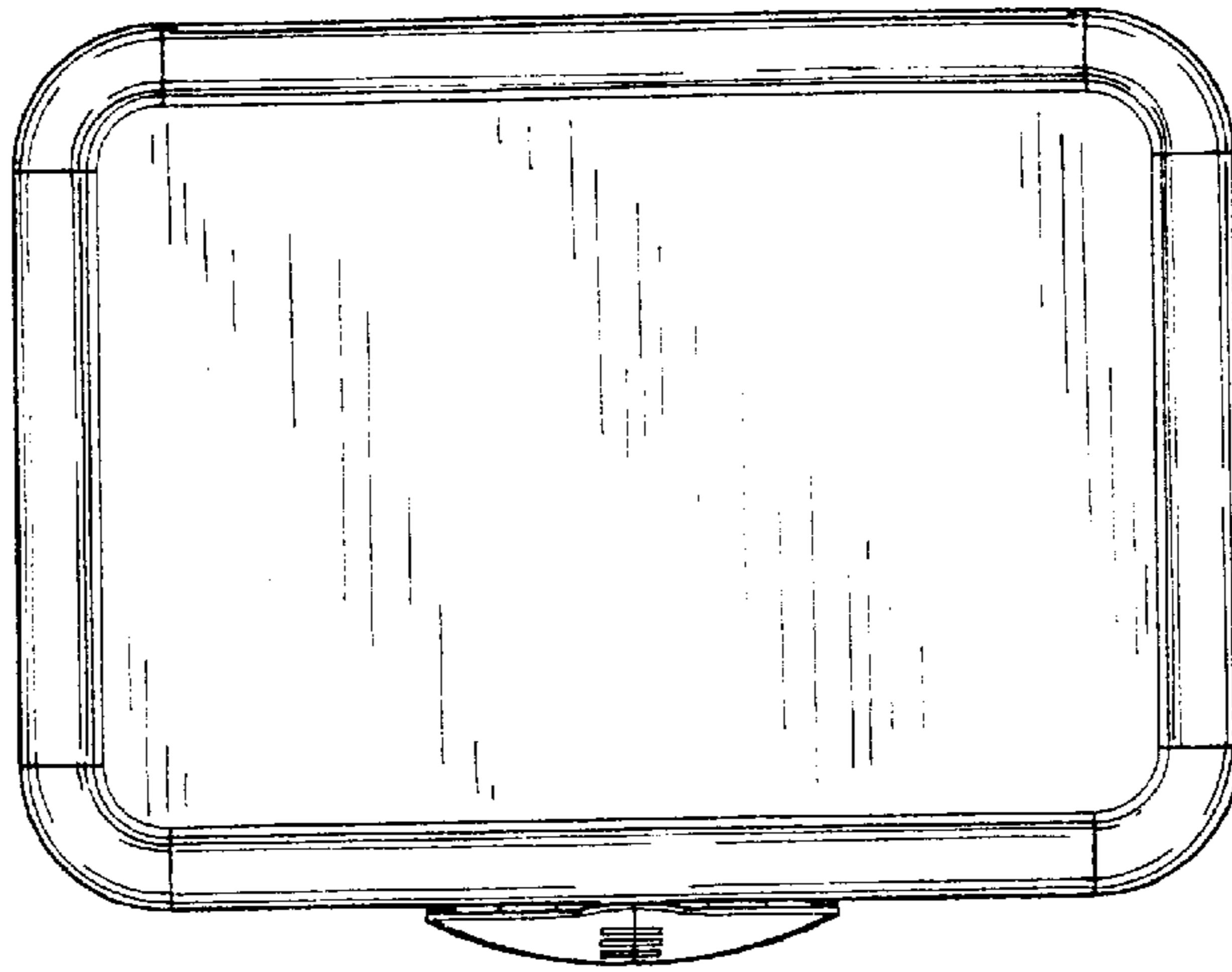


FIGURE 2

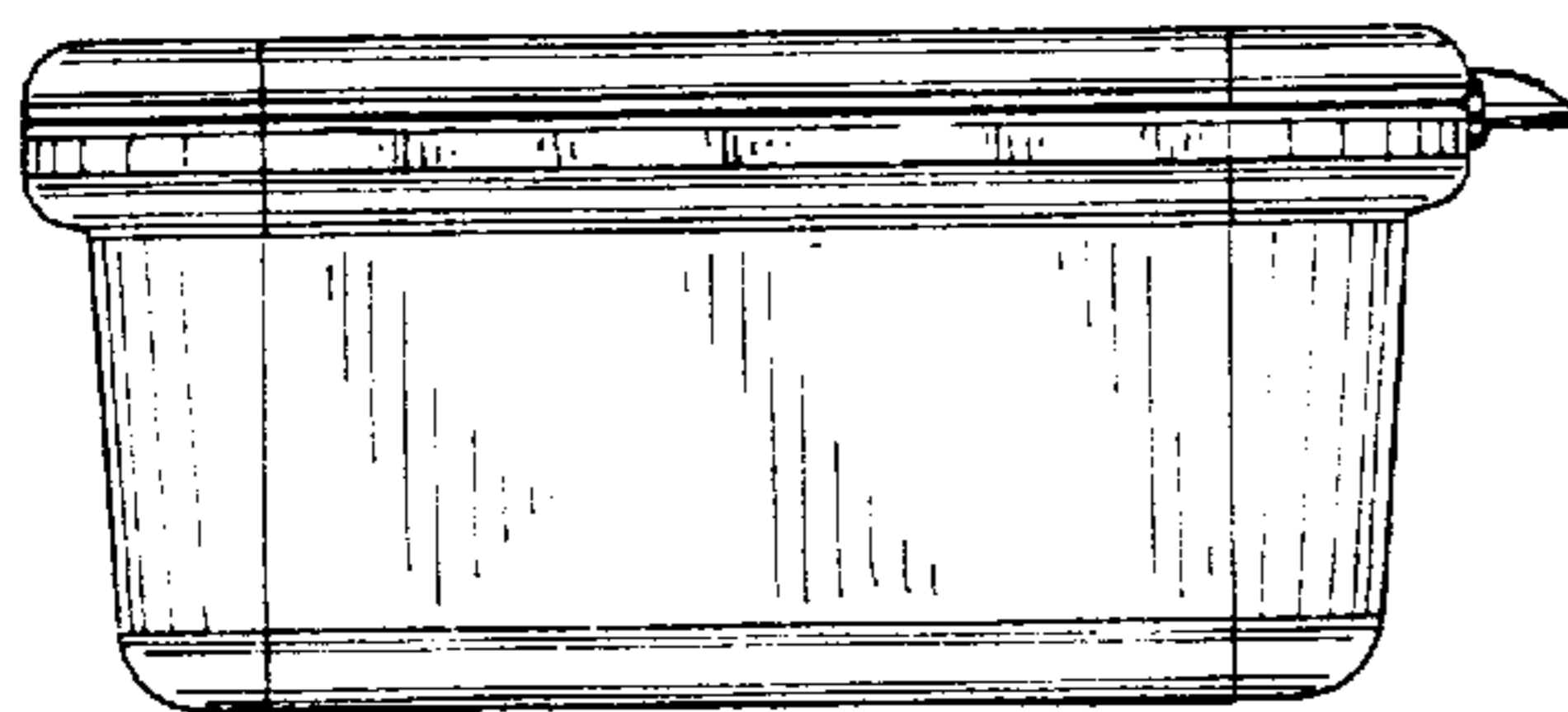
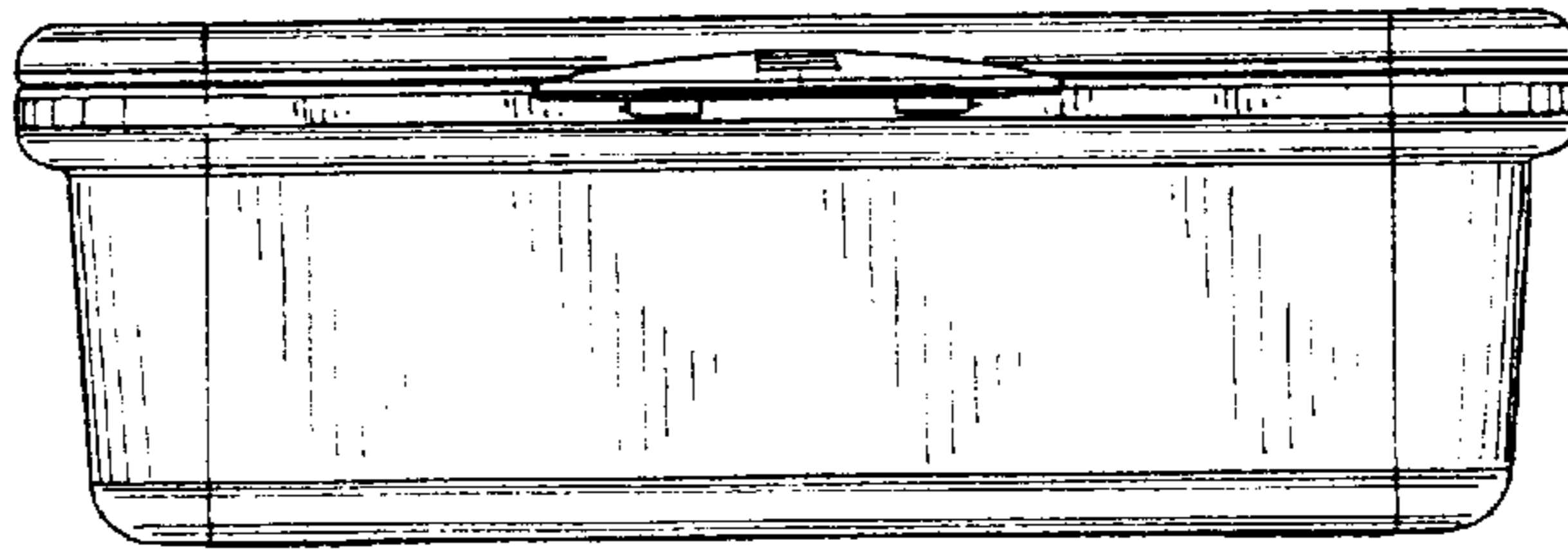


FIGURE 3

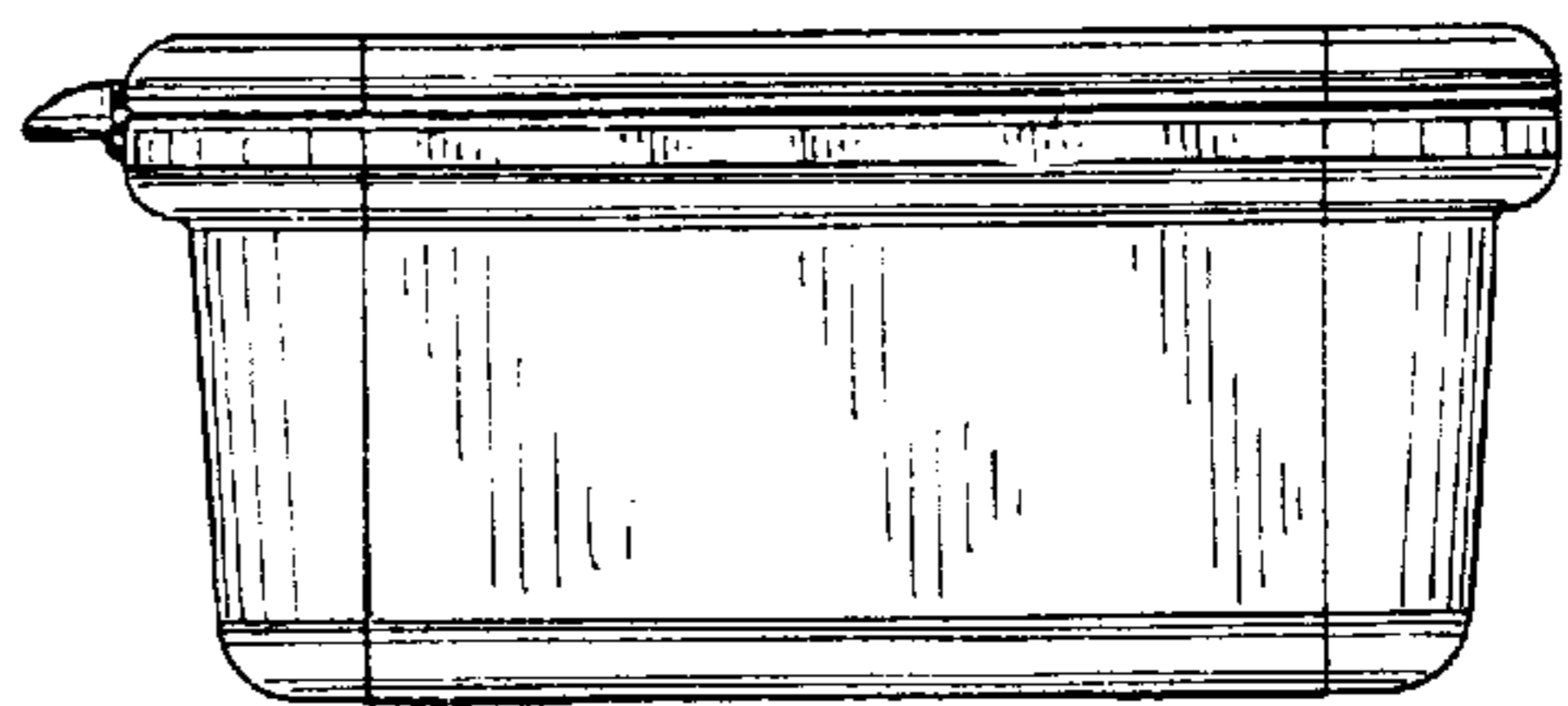


FIGURE 4

FIGURE 5

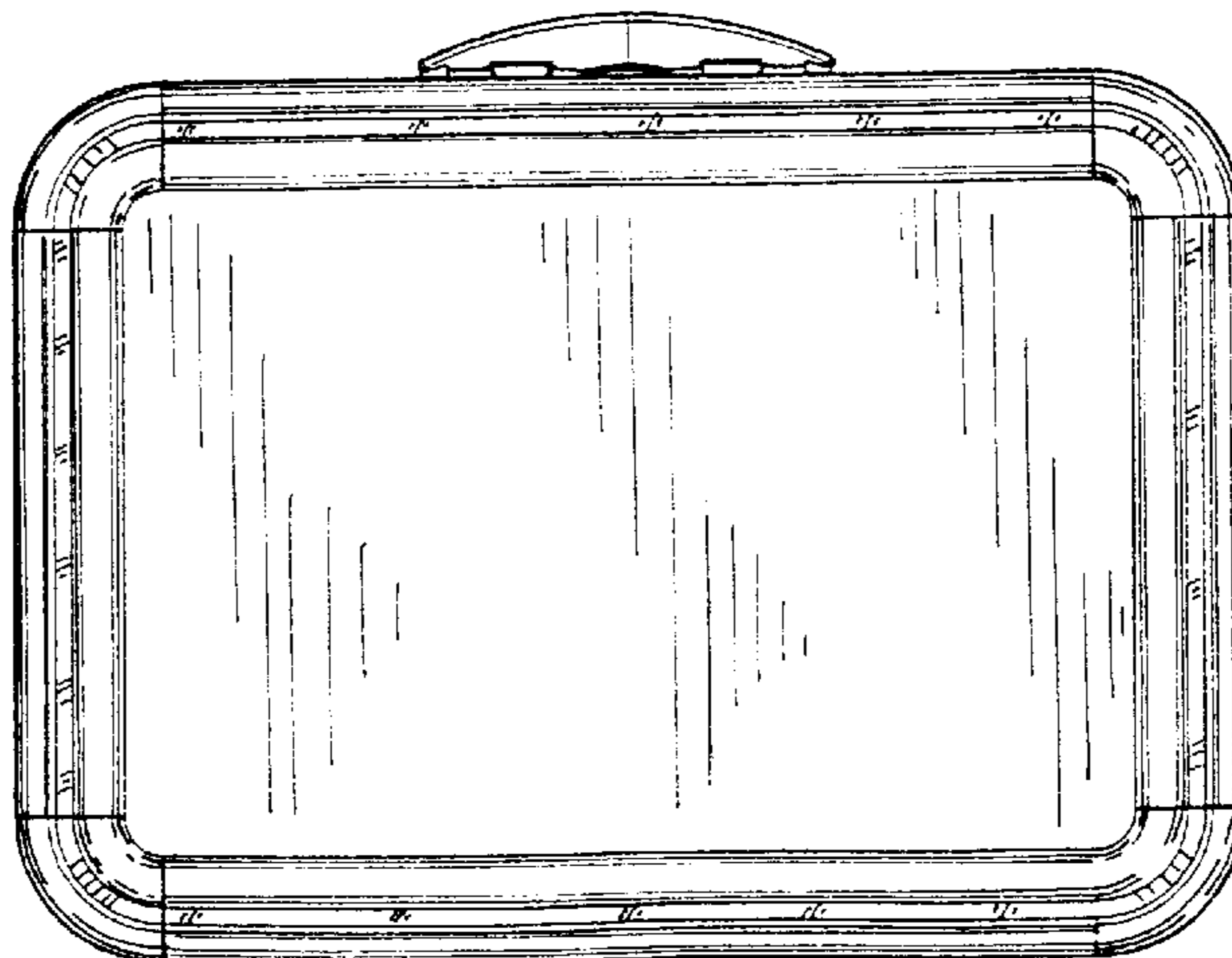


FIGURE 6

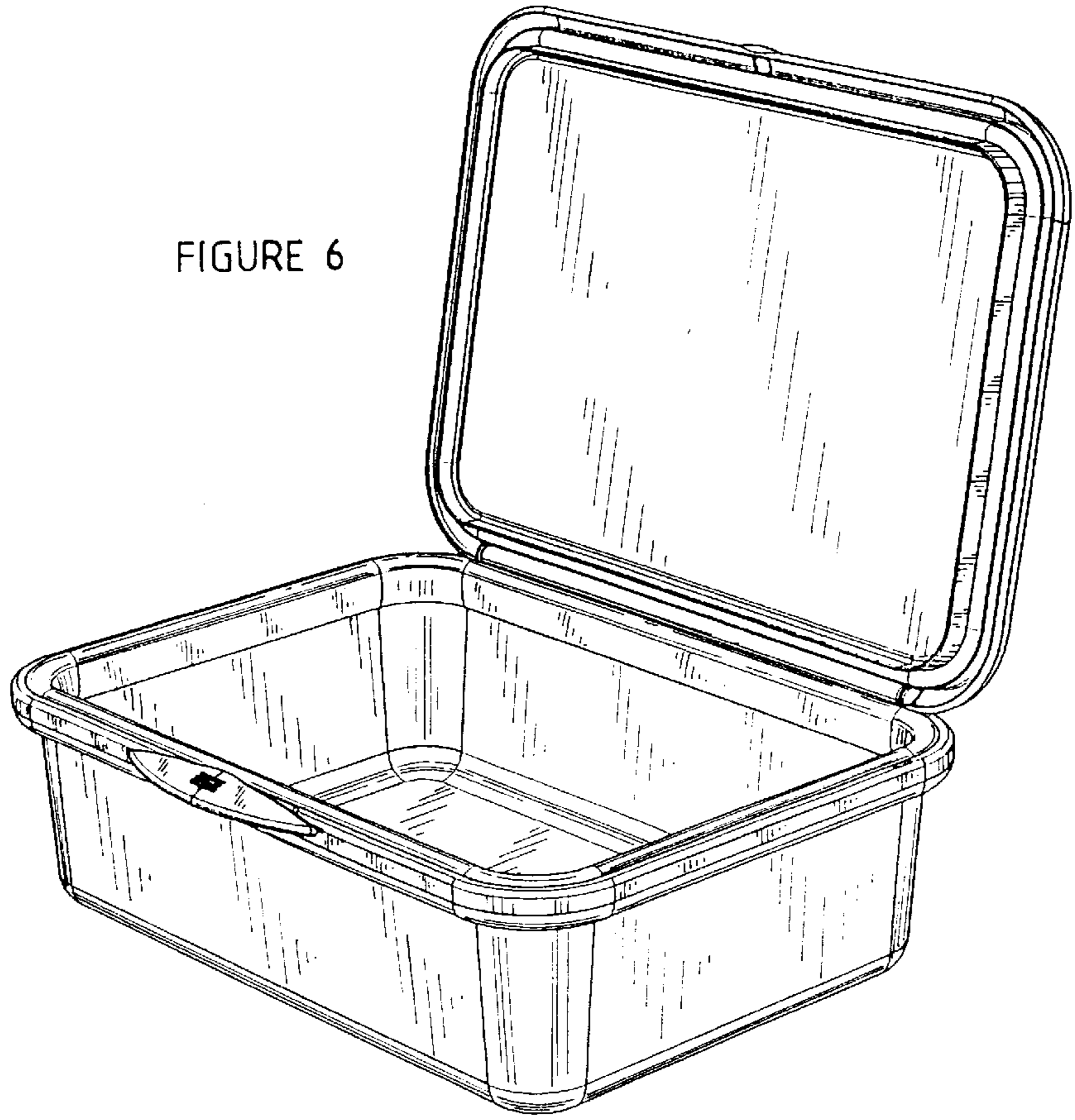
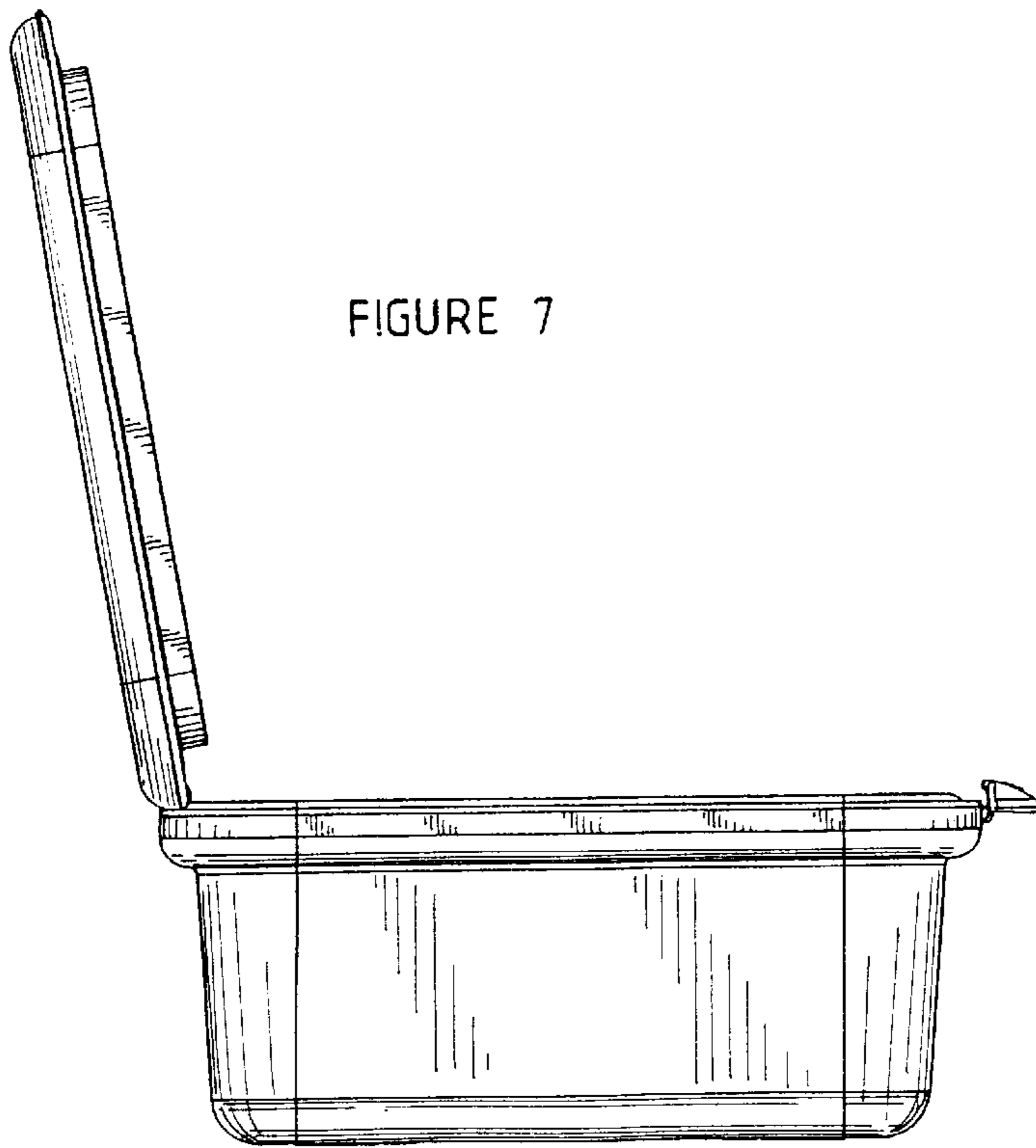


FIGURE 7



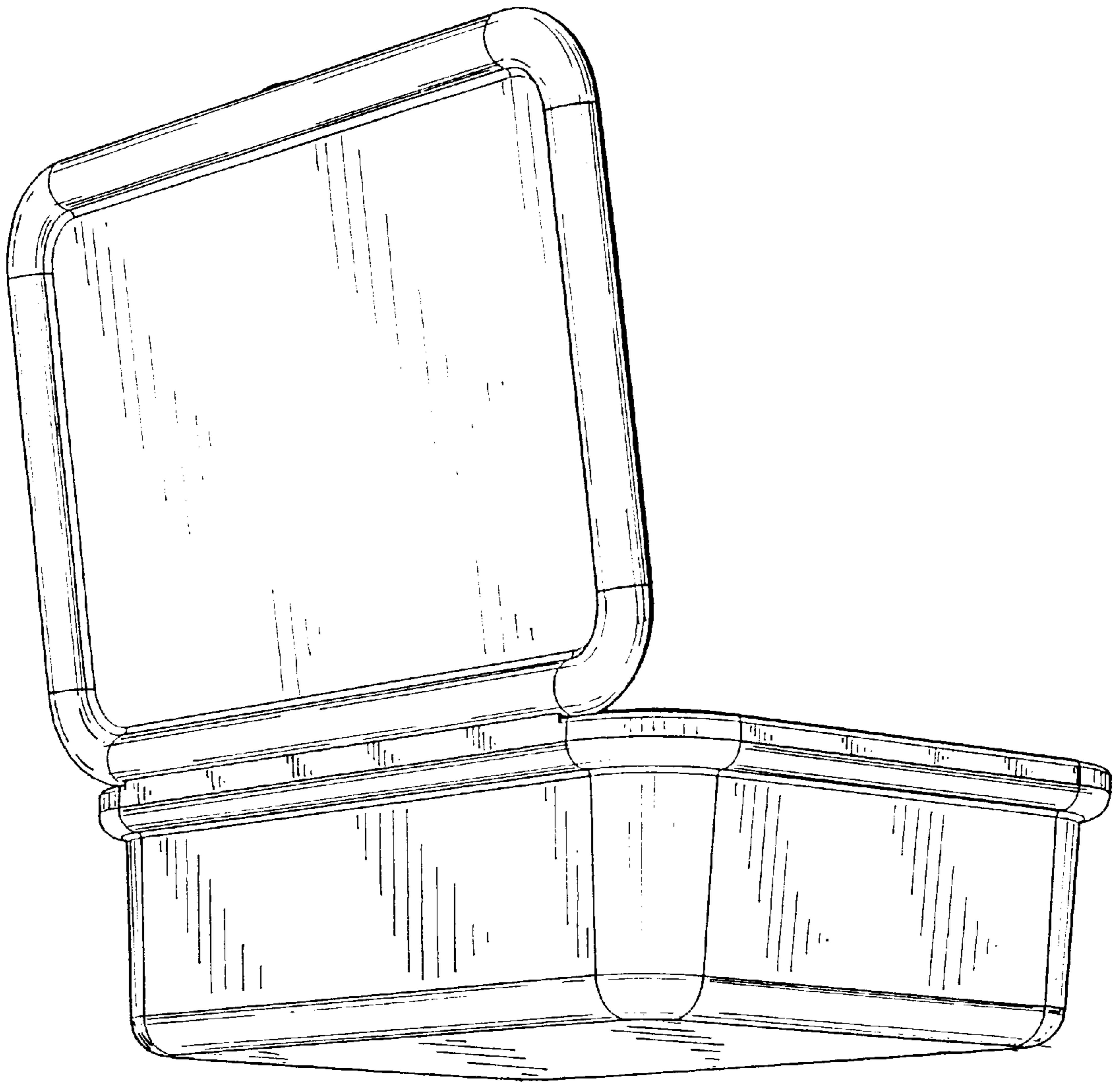


FIGURE 8

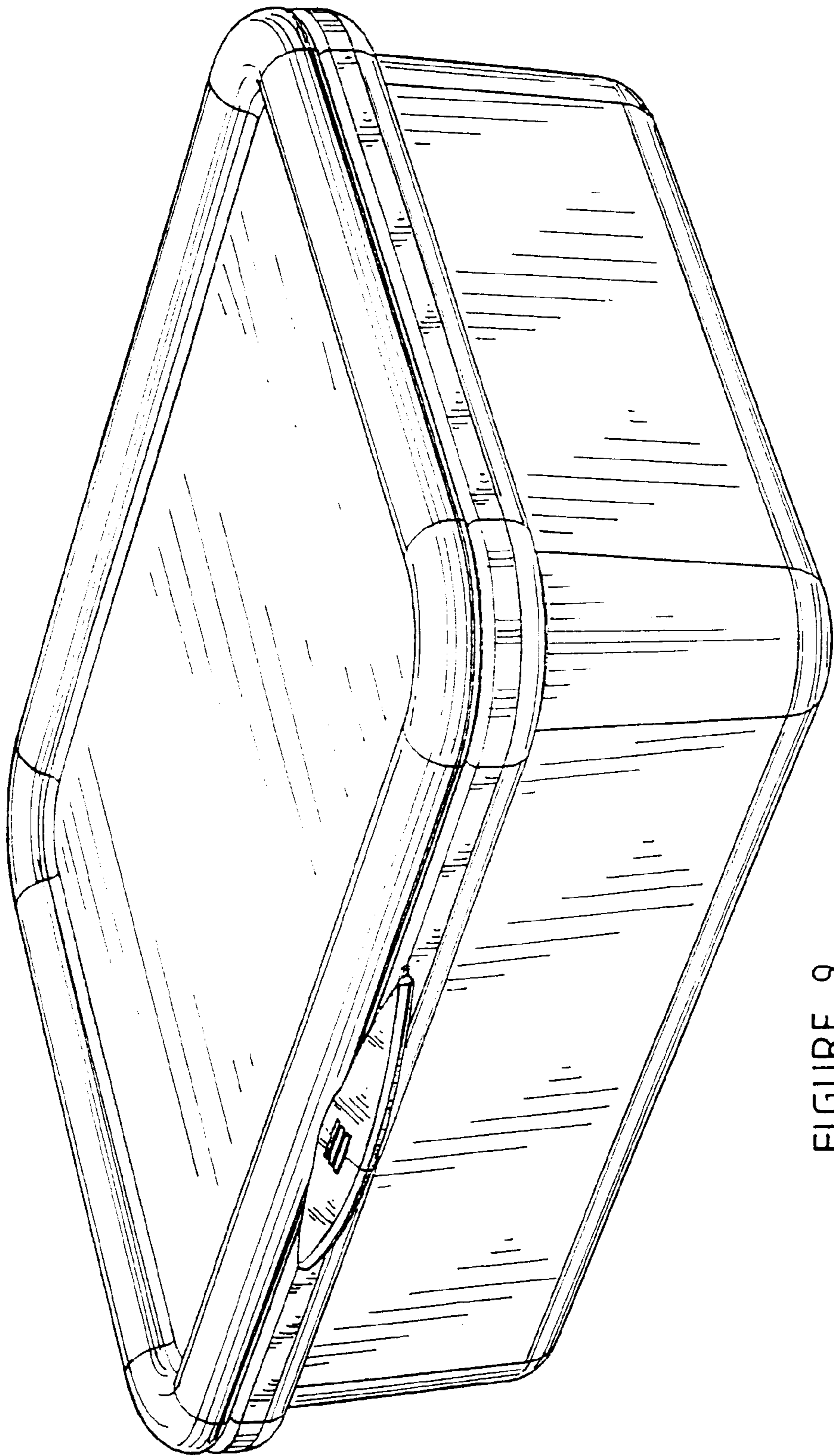


FIGURE 9

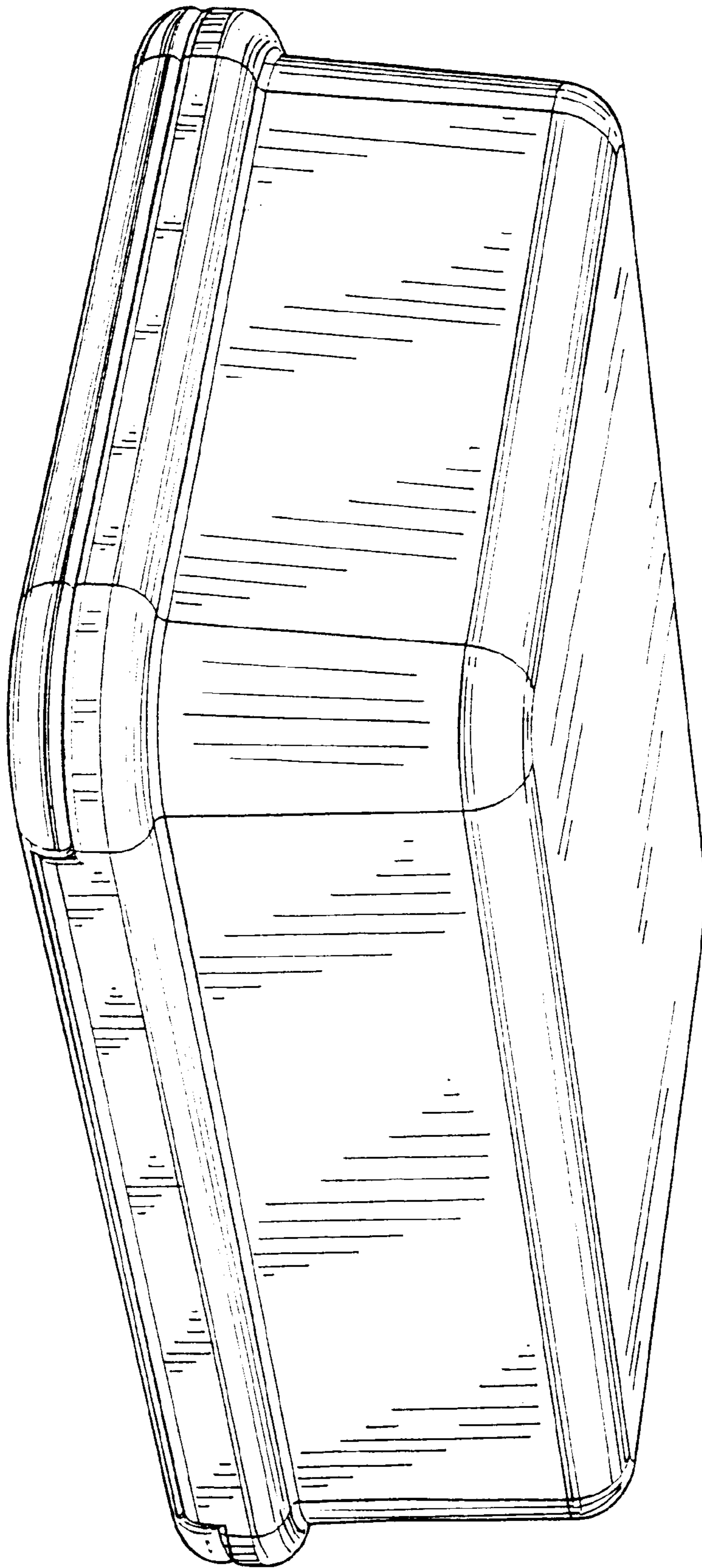


FIGURE 10

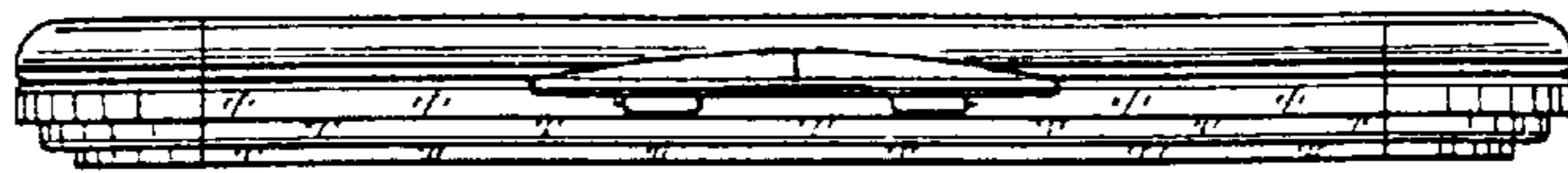


FIGURE 11

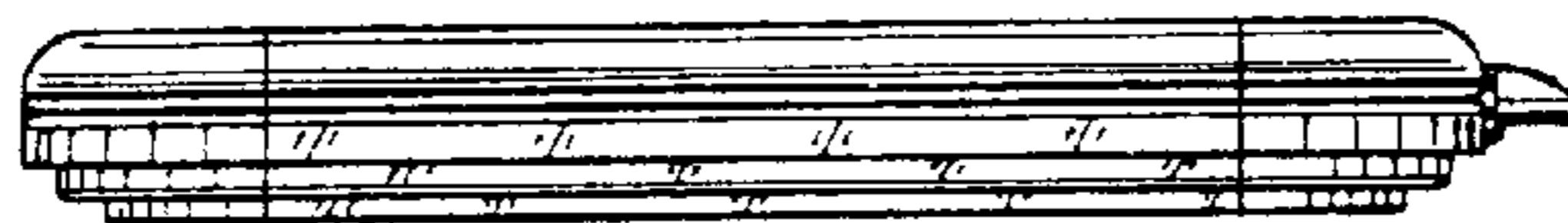


FIGURE 12

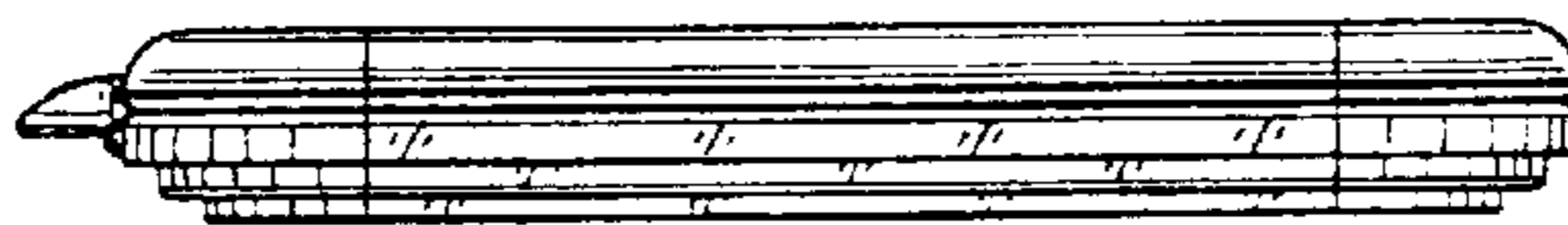
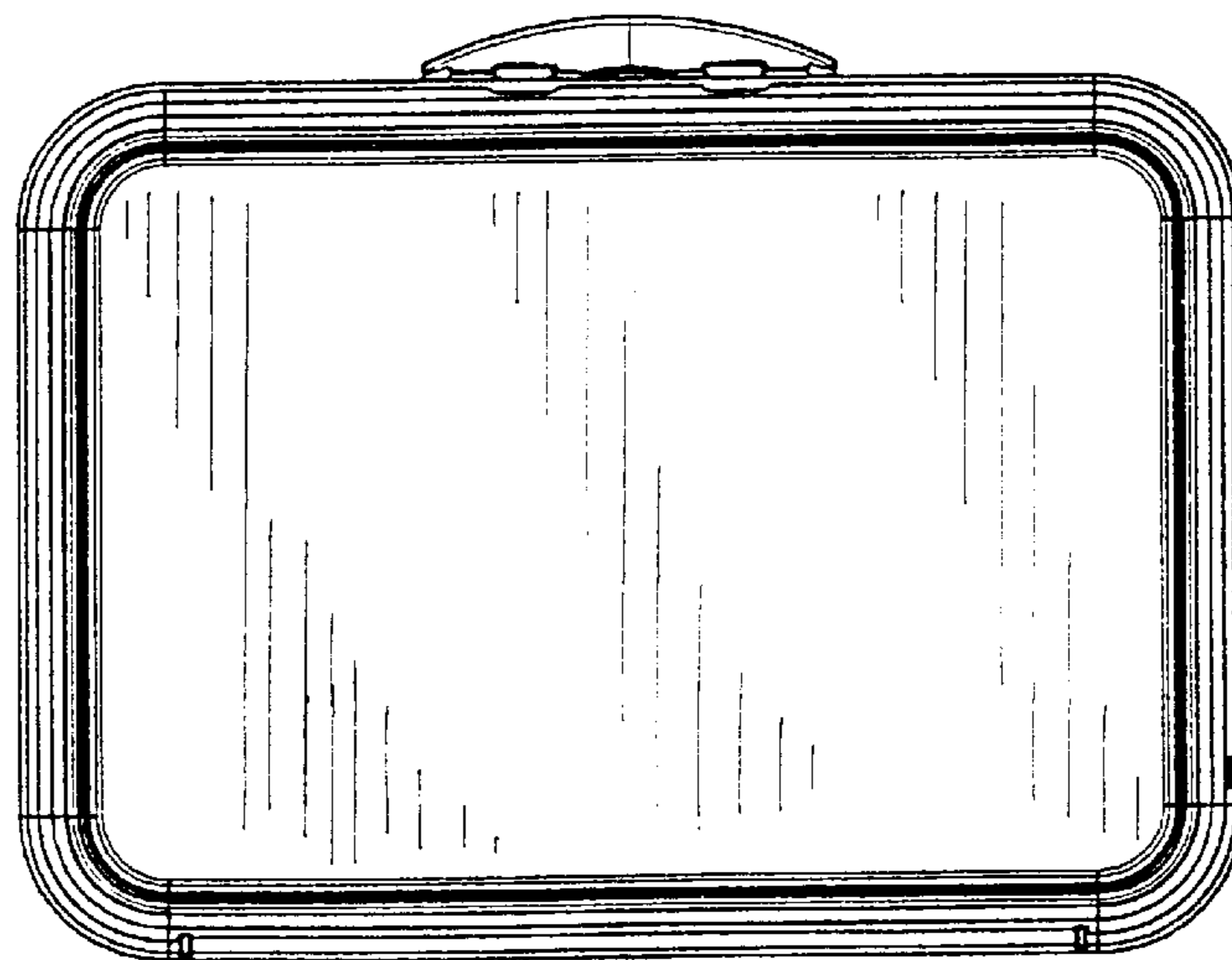


FIGURE 13

FIGURE 14



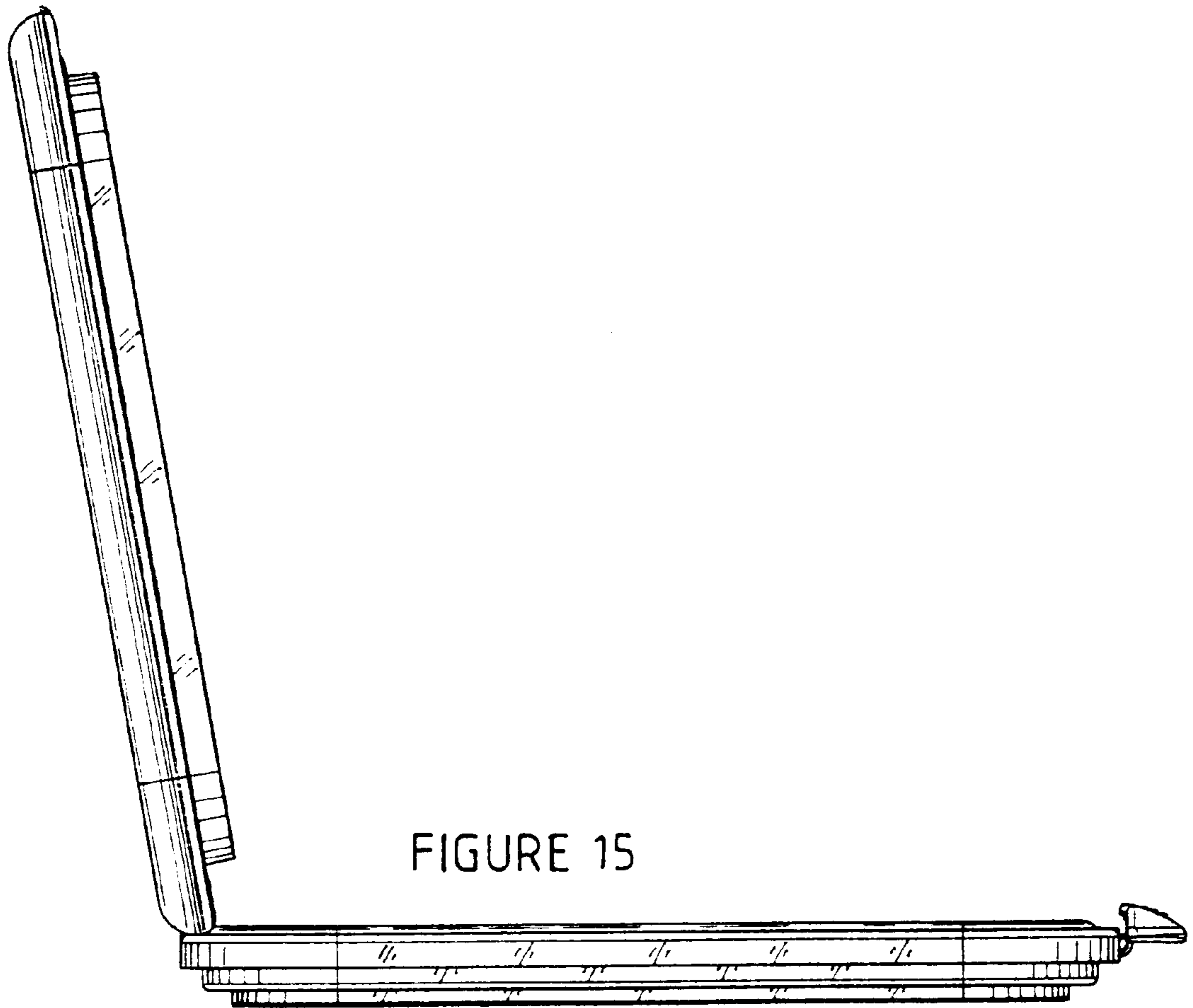
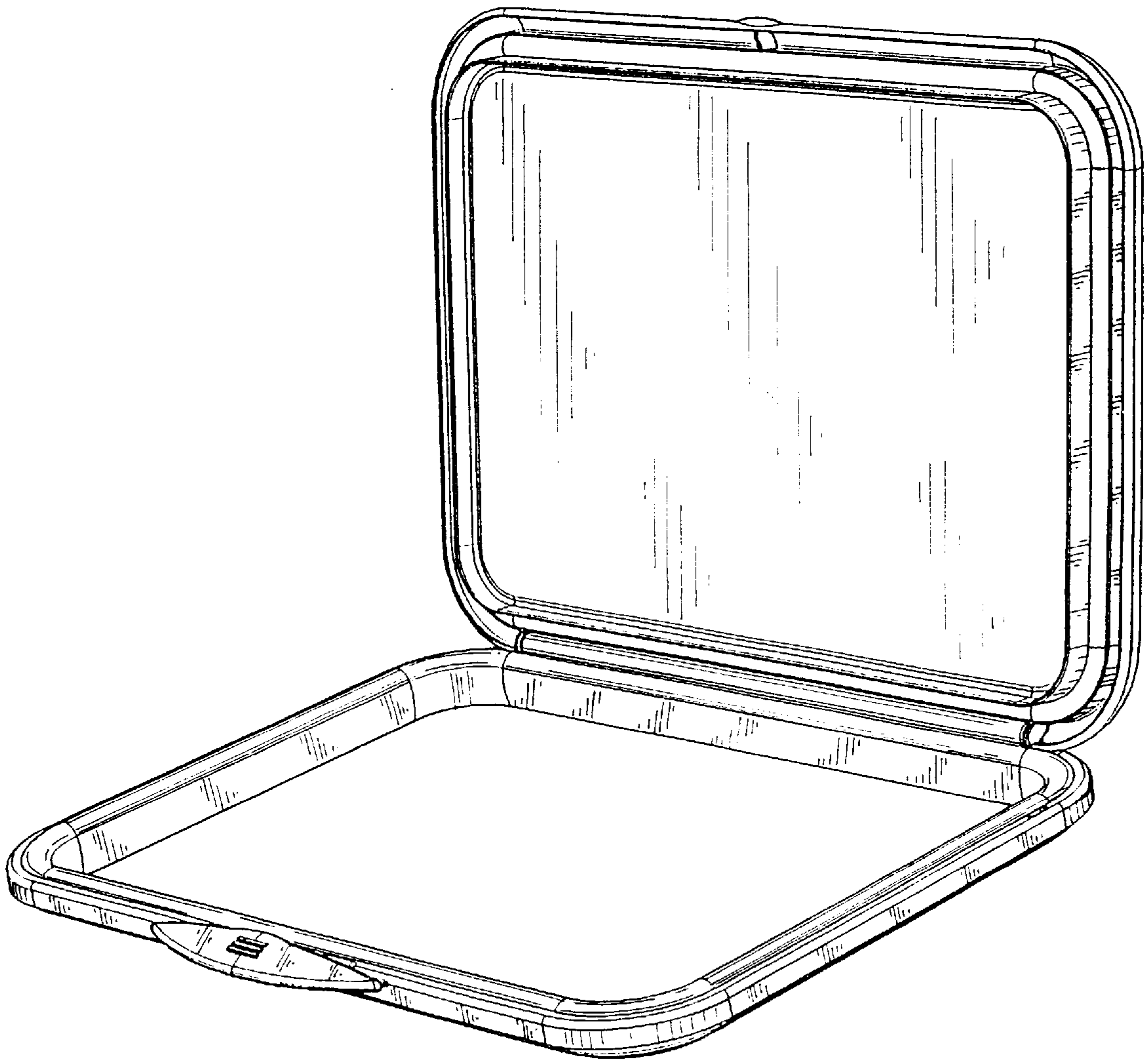


FIGURE 15

FIGURE 16



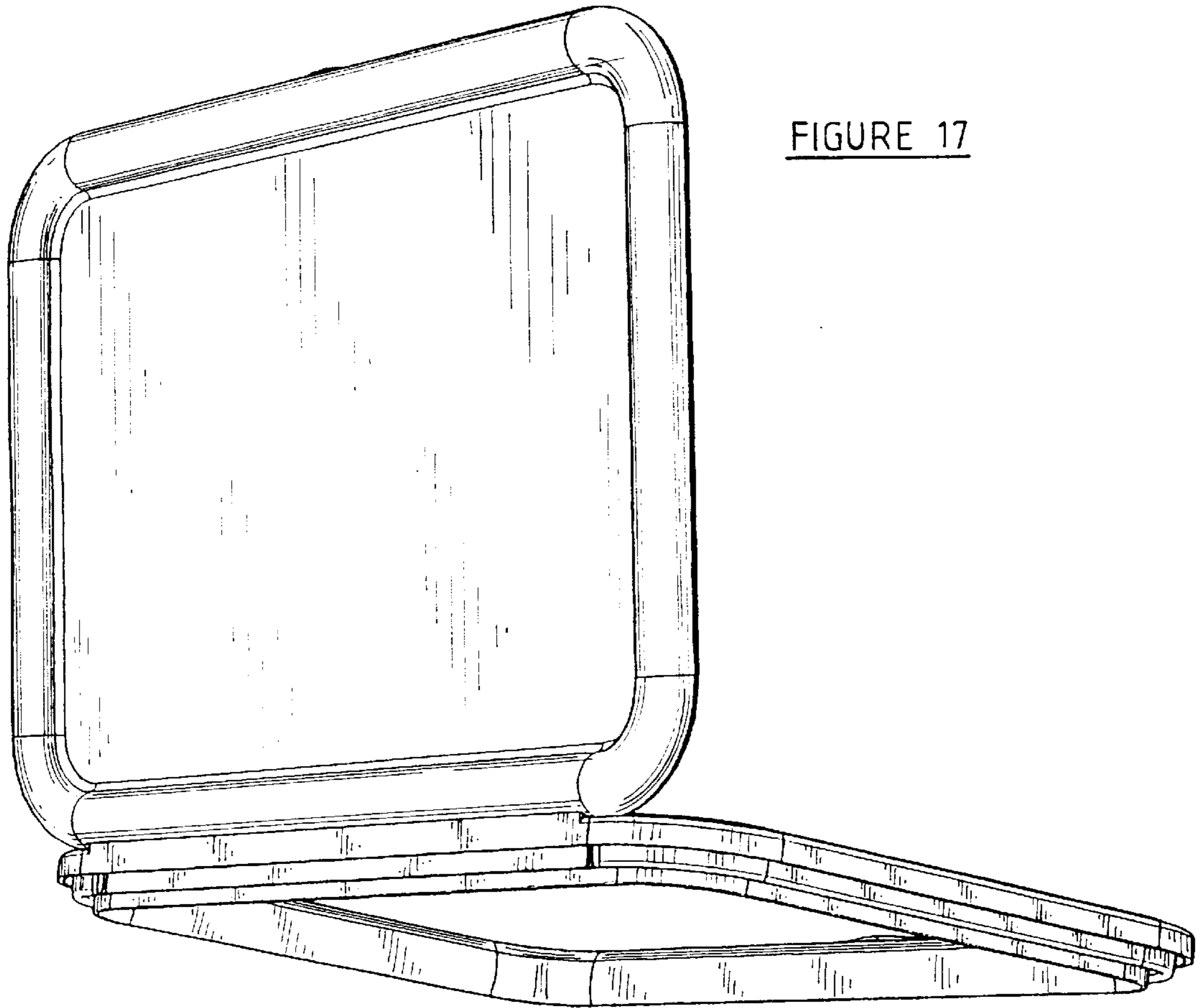


FIGURE 17

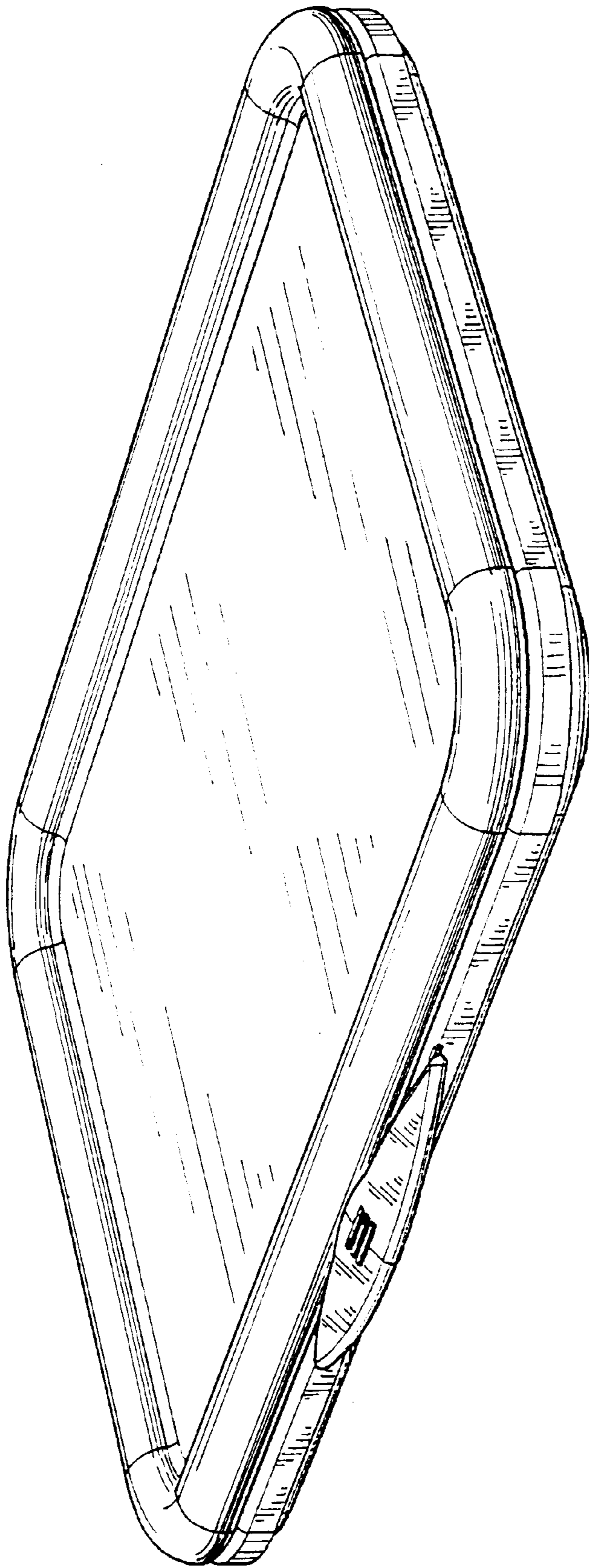


FIGURE 18

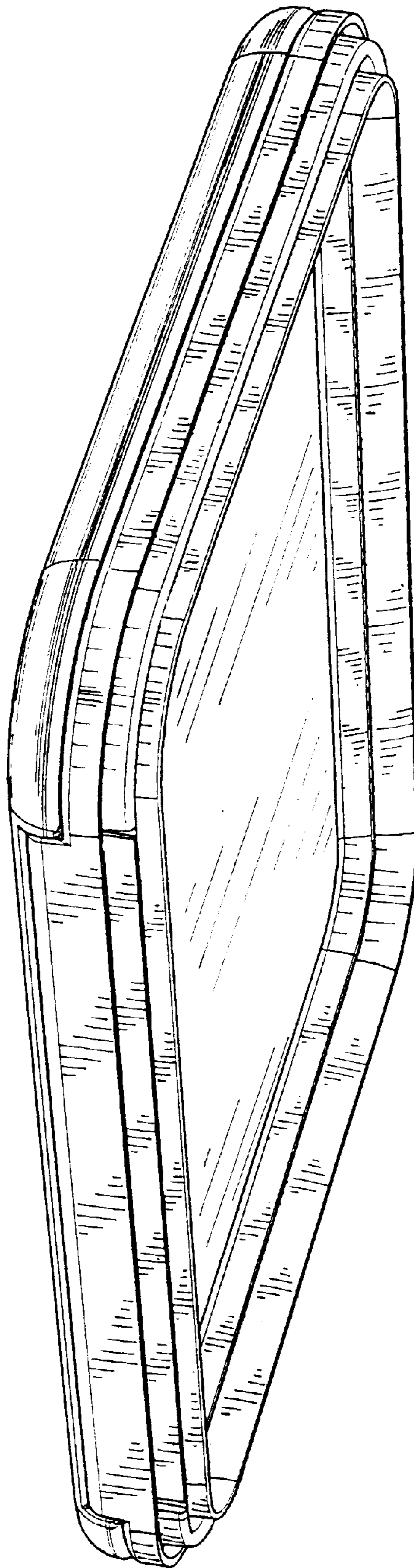


FIGURE 19