



US00D409483S

United States Patent [19]

[11] Patent Number: Des. 409,483

Herbruck

[45] Date of Patent: ** May 11, 1999

[54] **EGG CARTON FOR EGGS AND OTHER INGREDIENTS**

[75] Inventor: **Stephen H. Herbruck**, Saranac, Mich.

[73] Assignee: **Herbruck's Poultry Ranch**, Saranac, Mich.

[**] Term: **14 Years**

[21] Appl. No.: **29/088,828**

[22] Filed: **Jun. 1, 1998**

Related U.S. Application Data

[62] Division of application No. 29/082,173, Jan. 16, 1998, Pat. No. Des. 403,956.

[51] **LOC (6) Cl.** **09-03**

[52] **U.S. Cl.** **D9/341**

[58] **Field of Search** D9/341, 345, 347, D9/348; 206/521, 521.1, 521.15, 521.7, 521.8; 220/508

[56] References Cited

U.S. PATENT DOCUMENTS

D. 165,856	2/1952	Mytinger	D58/13
D. 222,828	1/1972	Giraudet et al.	D9/341
D. 240,712	7/1976	Moller	D9/341
D. 262,355	12/1981	Oakley	D9/345
D. 306,263	2/1990	Kerr et al.	D9/428
D. 349,456	8/1994	Wilson	D9/347
D. 363,021	10/1995	Lombard	D9/415
2,569,681	10/1951	Lennon	206/521.8
2,668,652	2/1954	Russell	206/521.1
2,843,304	7/1958	Reifers	206/521.1
2,909,304	10/1959	Powell	222/130
3,131,346	4/1964	Whiteford	229/2.5
3,430,838	3/1969	Bessett	206/521.8

3,531,044	9/1970	Baker	229/44
3,547,658	12/1970	Melnick	99/113
3,569,914	3/1971	Ahlmeyer	229/44
3,655,110	4/1972	Eisenbach	229/2.5
3,779,370	12/1973	Snow et al.	206/45.31
3,905,506	9/1975	Florian	220/23.8
4,693,205	9/1987	Thill	118/13
4,899,881	2/1990	Girard et al.	206/457
5,308,630	5/1994	Nordahl	426/270
5,312,634	5/1994	Griesbach et al.	426/106
5,674,546	10/1997	Barnes et al.	426/120

FOREIGN PATENT DOCUMENTS

2580602	10/1986	France .
2623781	6/1989	France .
3324462	1/1985	Germany .
3512022	2/1986	Germany .

Primary Examiner—Raphael Barkai
Assistant Examiner—Nanda Bondade
Attorney, Agent, or Firm—Price, Heneveld, Cooper, DeWitt & Litton

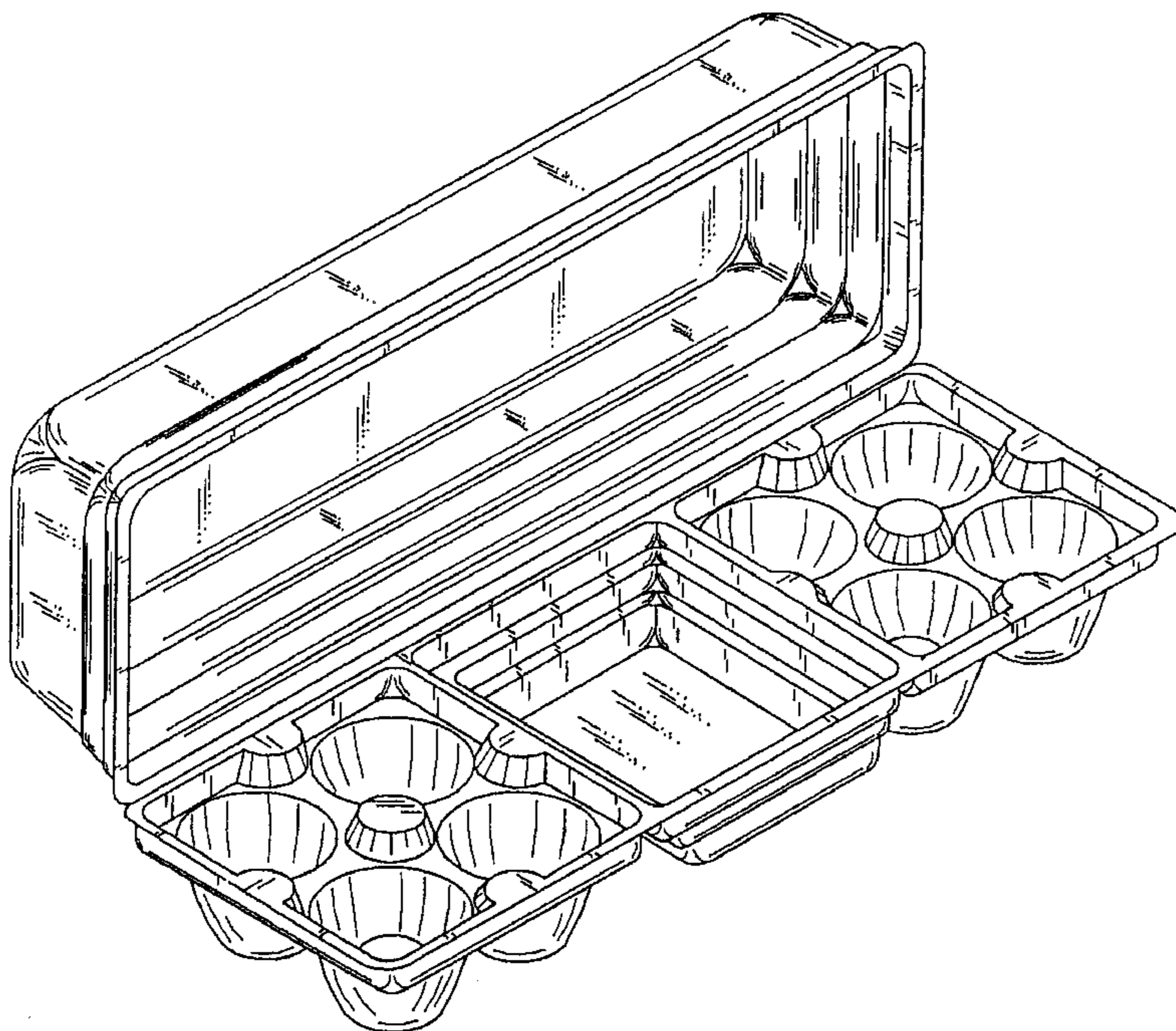
[57] CLAIM

The ornamental design for a an egg carton for eggs and other ingredients, as shown and described.

DESCRIPTION

FIG. 1 is a perspective view of an egg carton for eggs and other ingredients showing my new design;
FIG. 2 is a top plan view thereof, with the cover in a closed position;
FIG. 3 is a front side elevational view thereof;
FIG. 4 is a rear side elevational view thereof;
FIG. 5 is a bottom plan view thereof; and,
FIG. 6 is an end elevational view thereof, the opposite end being a mirror image thereof.

1 Claim, 2 Drawing Sheets



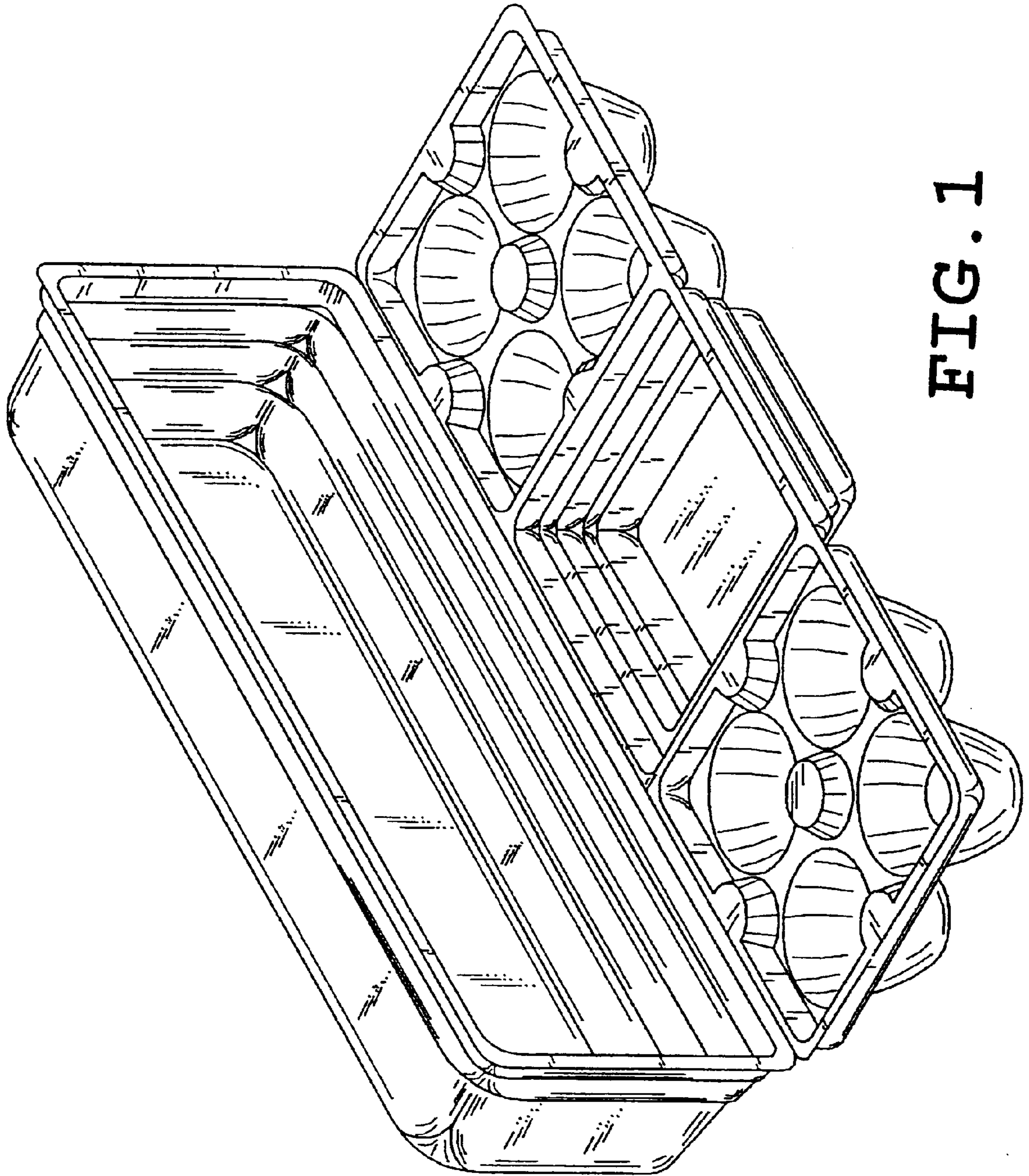


FIG. 1

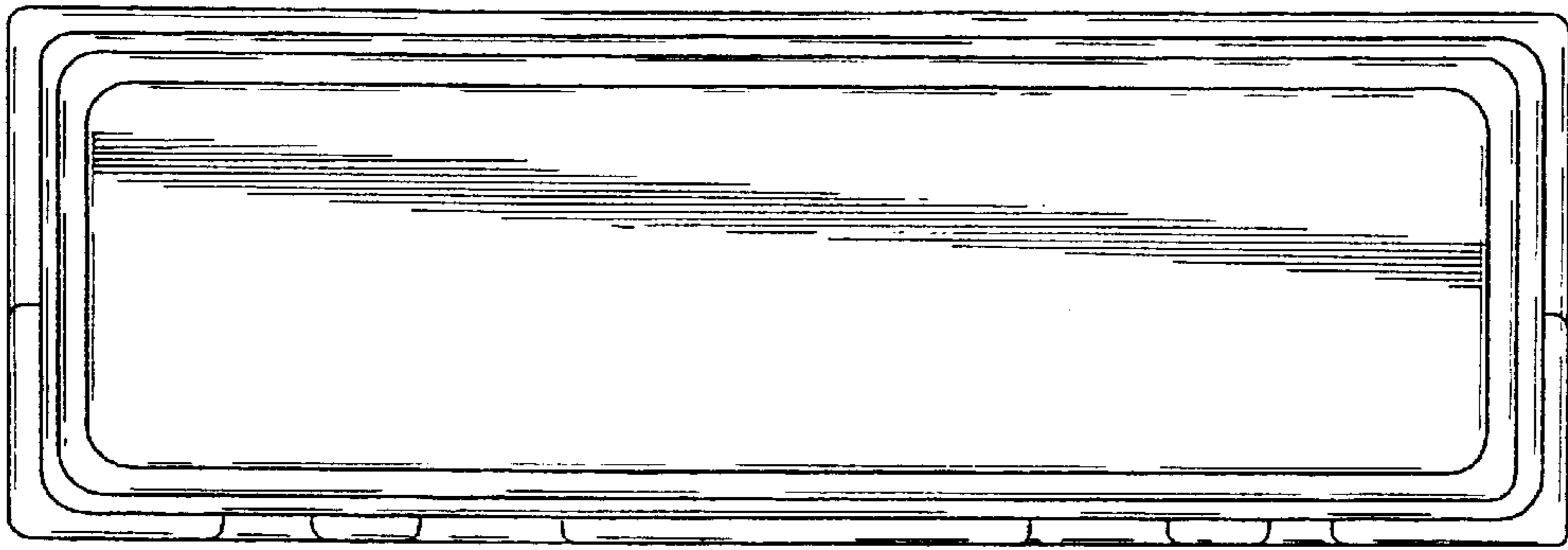


FIG. 2

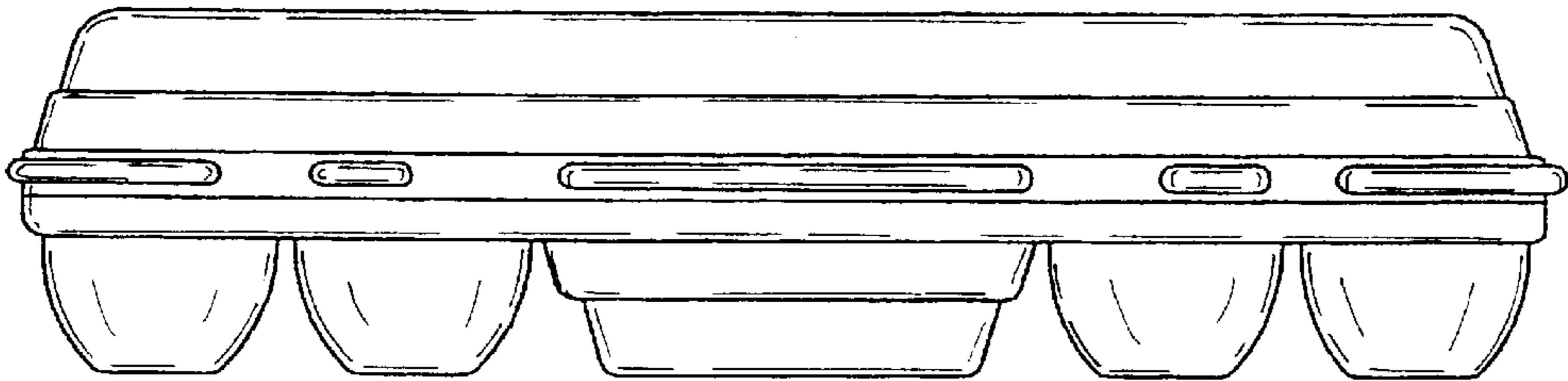


FIG. 3

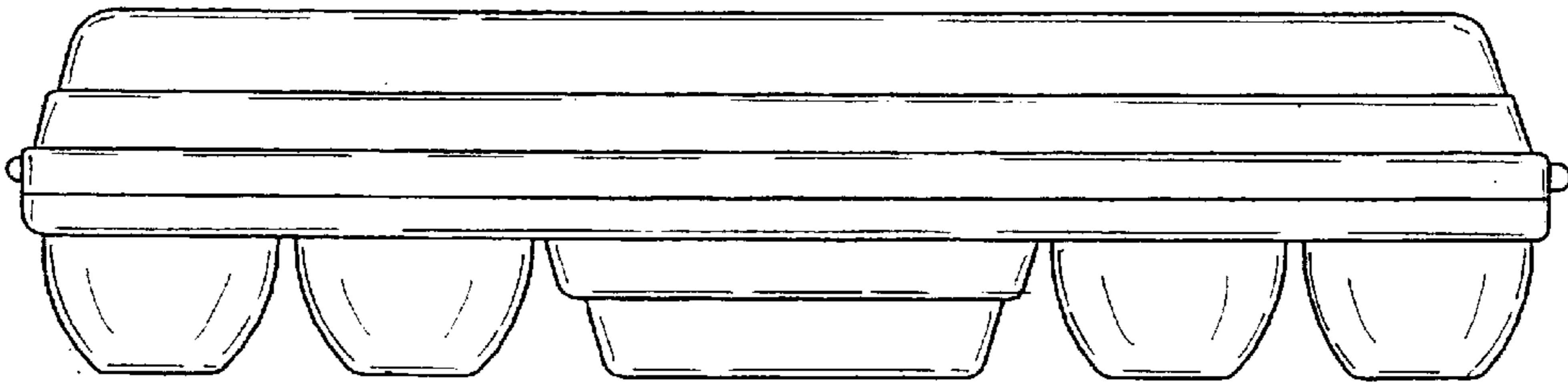


FIG. 4

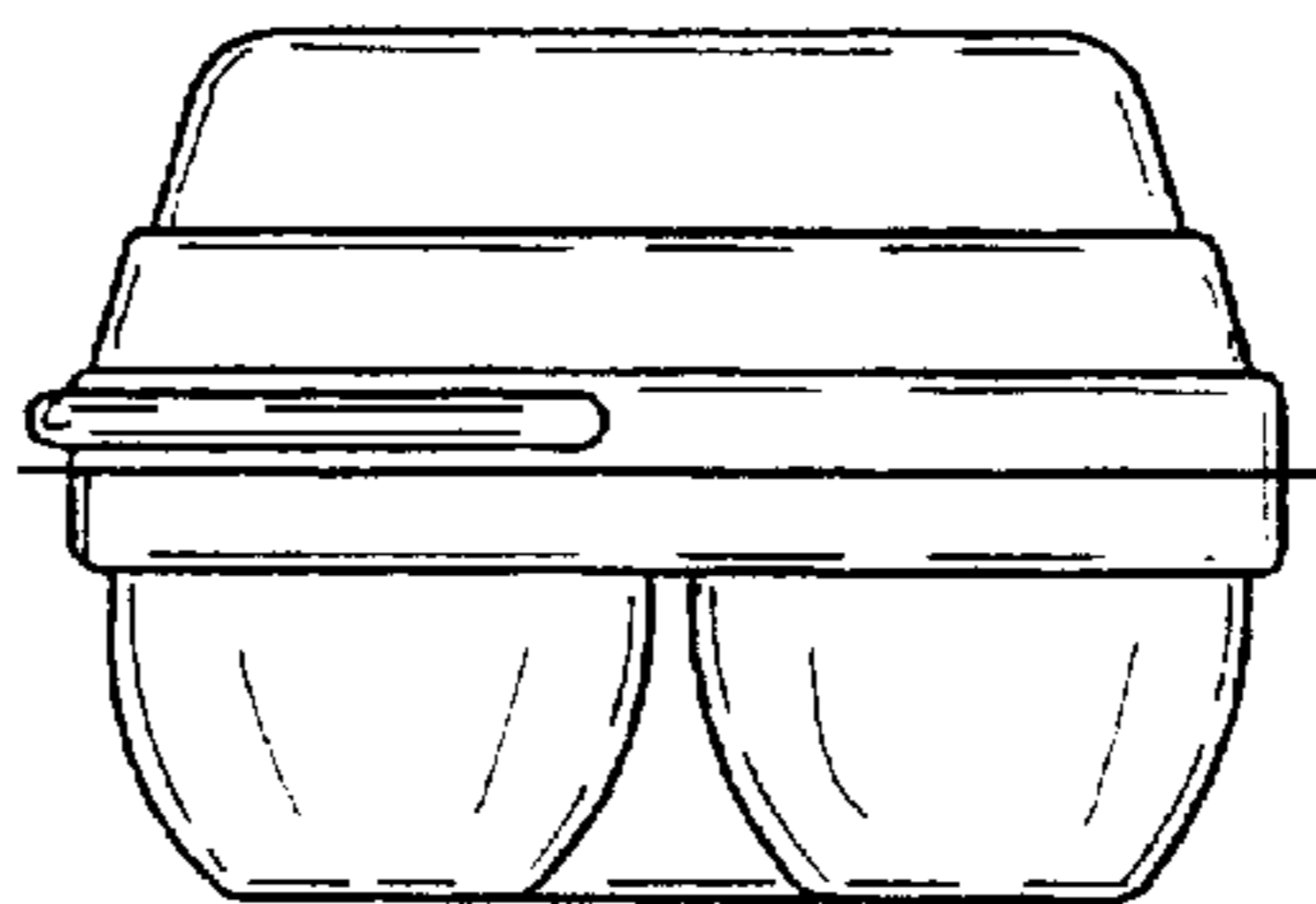


FIG. 5

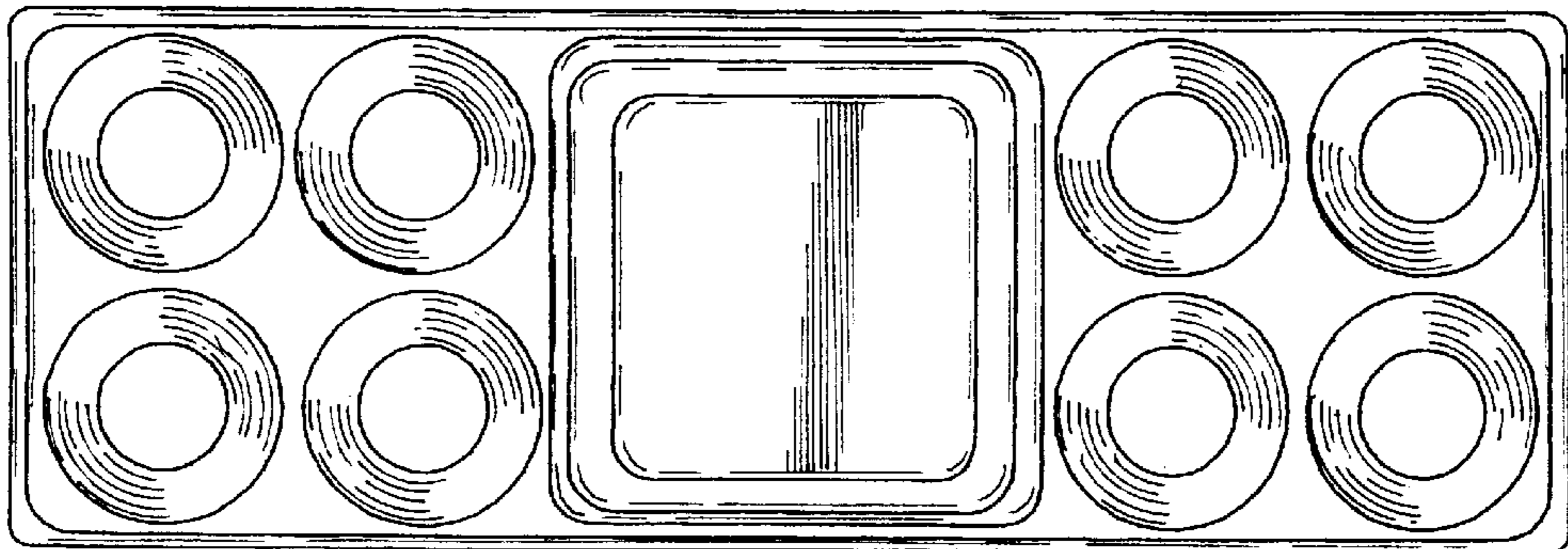


FIG. 6