



US00D409482S

United States Patent [19] Jacobs

[11] **Patent Number: Des. 409,482**

[45] **Date of Patent: ** May 11, 1999**

[54] **BOTTLE**

[75] Inventor: **Jim Jacobs**, Dallas, Tex.

[73] Assignee: **United Gourmet L.P.**, El Paso, Tex.

[**] Term: **14 Years**

[21] Appl. No.: **29/089,870**

[22] Filed: **May 19, 1998**

[51] **LOC (6) Cl.** **09-05**

[52] **U.S. Cl.** **D9/310**

[58] **Field of Search** D9/307, 310, 516,
D9/549, 500, 503, 505, 552, 565; 206/457;
215/379, 382

[56] **References Cited**

U.S. PATENT DOCUMENTS

D. 26,065 9/1896 Jenkins D9/500
D. 39,362 6/1908 Johnston D9/310
D. 39,856 3/1909 Perrault D9/310

D. 68,195 9/1925 Soria D9/310
D. 81,520 7/1930 Bromiley D9/500
D. 88,504 12/1932 Delaize D9/552
D. 193,032 6/1962 Waser D9/500
D. 277,075 1/1985 Blais et al. D9/310

Primary Examiner—Dominic Simone
Attorney, Agent, or Firm—Jacobson, Price, Holman &
Stern, PLLC

[57] **CLAIM**

The ornamental design for a bottle, as shown and described.

DESCRIPTION

FIG. 1 is a front view showing my new design for a bottle,
FIG. 2 is a rear view thereof;
FIG. 3 is a top view thereof;
FIG. 4 is a bottom view thereof;
FIG. 5 is a left side view thereof; and,
FIG. 6 is a right side view thereof.

1 Claim, 2 Drawing Sheets

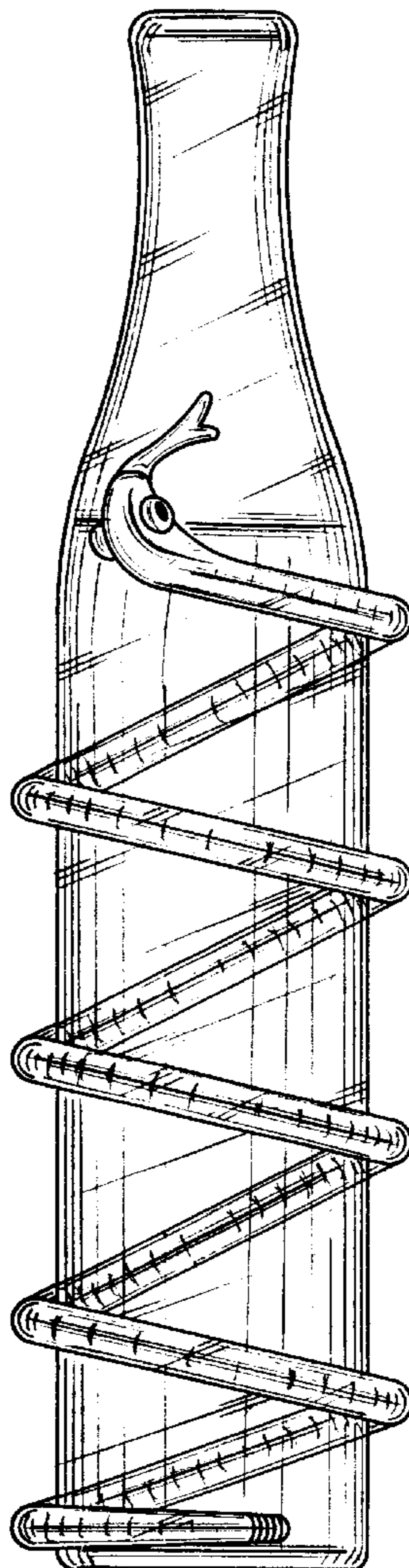


FIG. 1

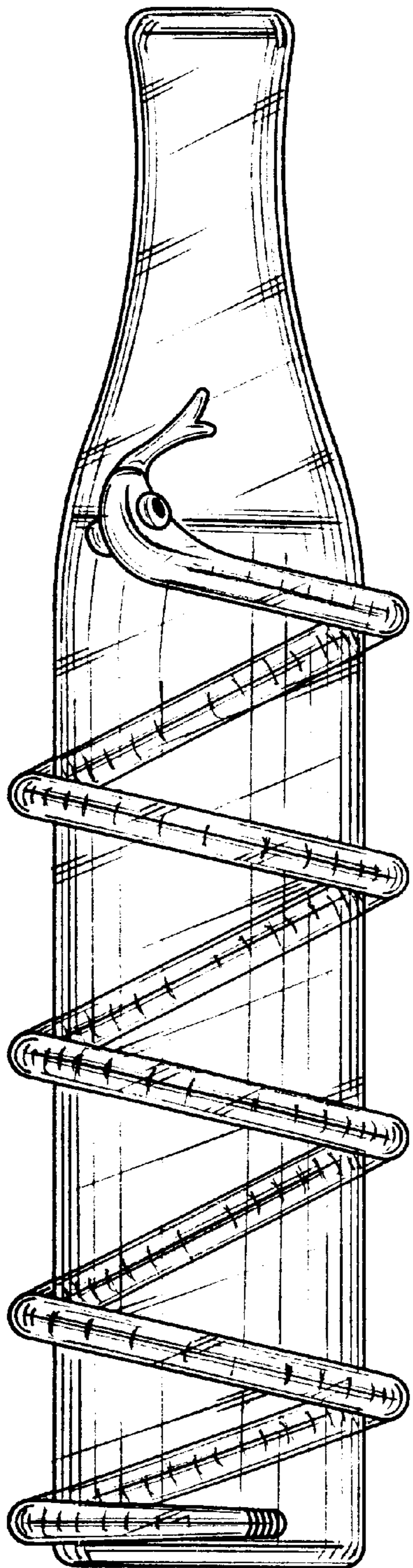


FIG. 2

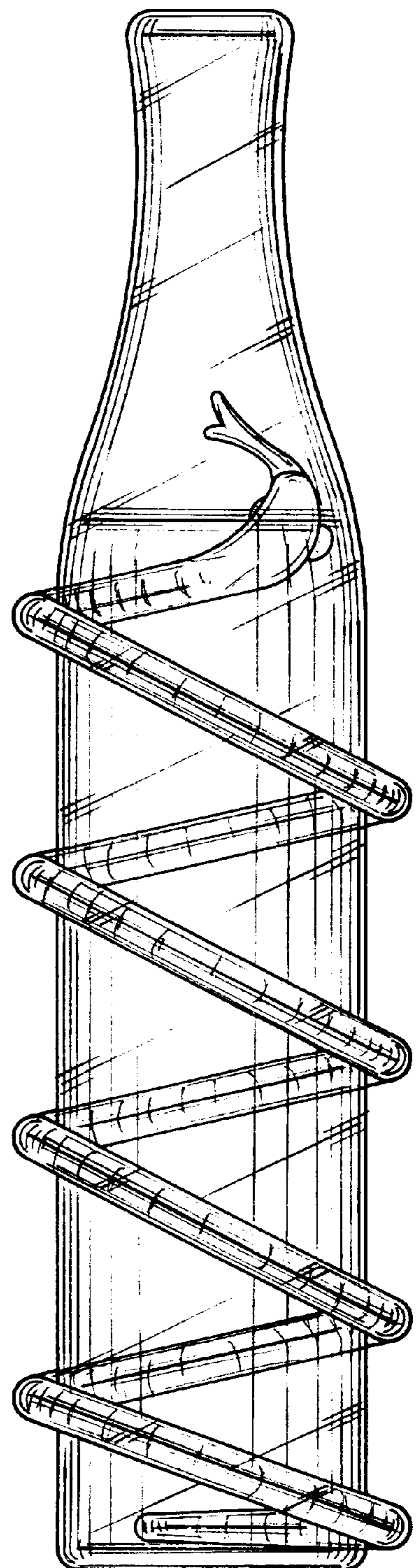


FIG. 3

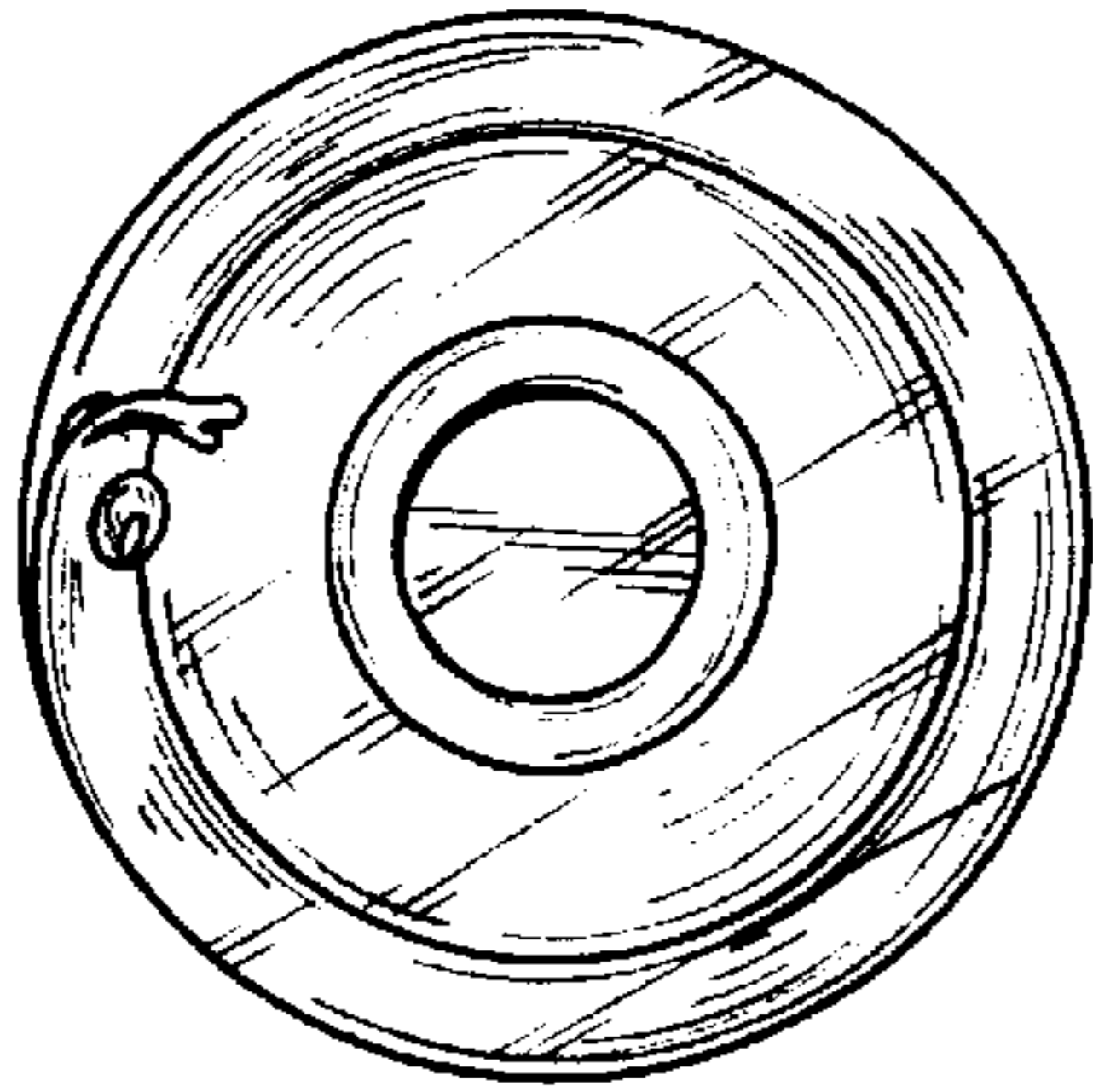


FIG. 4

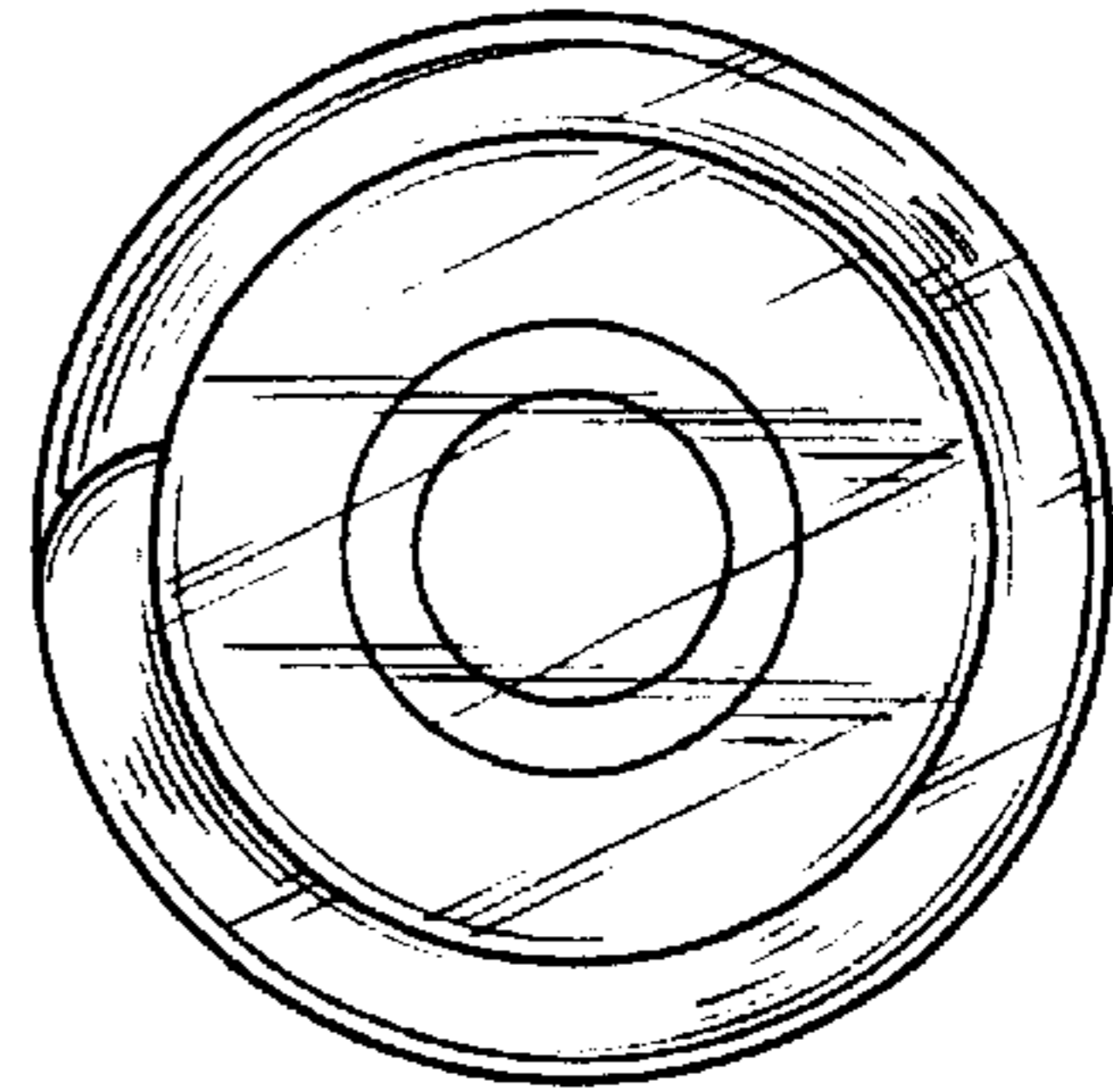


FIG. 5

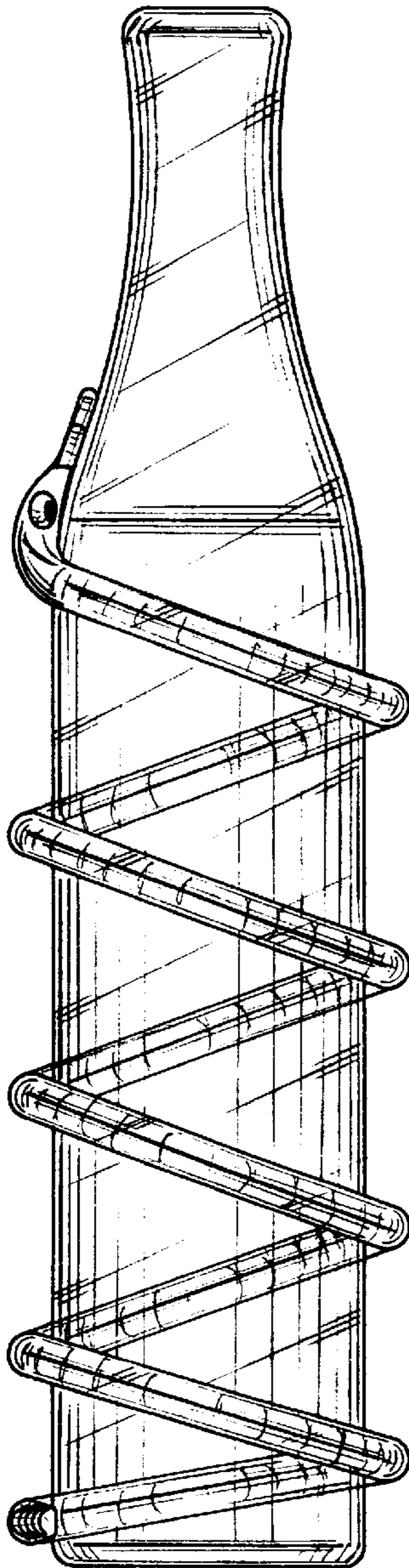


FIG. 6

