



US00D409480S

United States Patent [19]

Zadro

[11] **Patent Number: Des. 409,480**

[45] **Date of Patent: ** May 11, 1999**

[54] **MULTIPLE LIQUID DISPENSER**

[76] **Inventor: Zlatko Zadro, 16742 Wanderer La.,
Huntington Beach, Calif. 92649**

[**] **Term: 14 Years**

[21] **Appl. No.: 29/083,976**

[22] **Filed: Feb. 21, 1998**

[51] **LOC (6) Cl. 09-01**

[52] **U.S. Cl. D9/300; D6/544**

[58] **Field of Search D9/300, 341, 524,
D9/448; D6/542, 544; 222/321.7, 478, 481**

[56] **References Cited**

U.S. PATENT DOCUMENTS

- D. 250,622 12/1978 Hunter D6/544
- D. 267,454 1/1983 Fine D6/542
- D. 279,062 6/1985 Kanfer D6/542 X
- D. 317,717 6/1991 Carol D6/341

- D. 341,742 11/1993 Ornatowski D6/544 X
- D. 351,752 10/1994 Adamson D6/544
- D. 367,005 2/1996 Warrilow D9/300 X

Primary Examiner—James Gandy
Assistant Examiner—Cathron B. Matta
Attorney, Agent, or Firm—William L. Chapin

[57] **CLAIM**

The ornamental design for a multiple liquid dispenser, as shown and described.

DESCRIPTION

FIG. 1 is a left-side elevation view of a multiple liquid dispenser according to the present invention, the right side elevation view being a mirror image thereof.

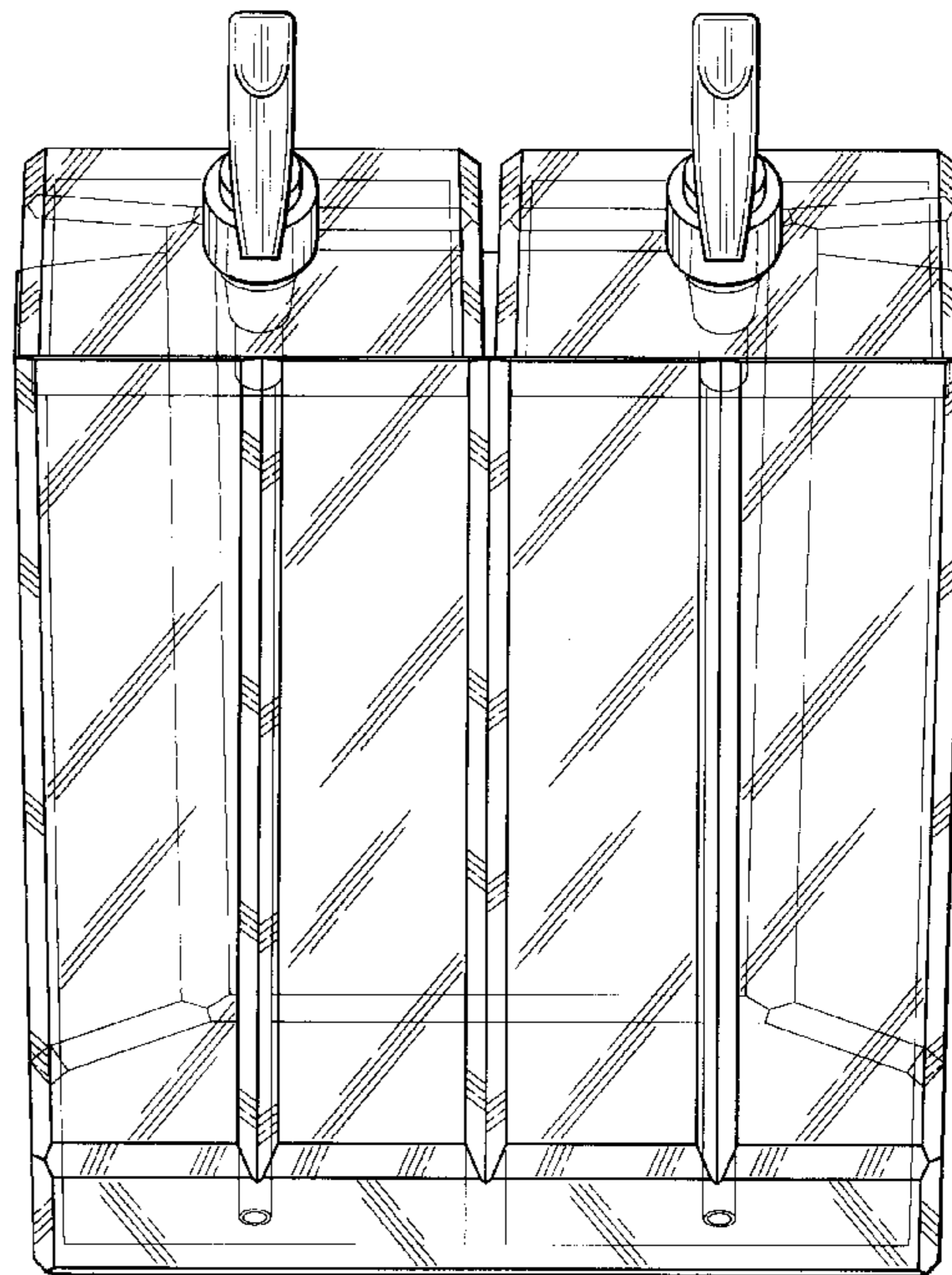
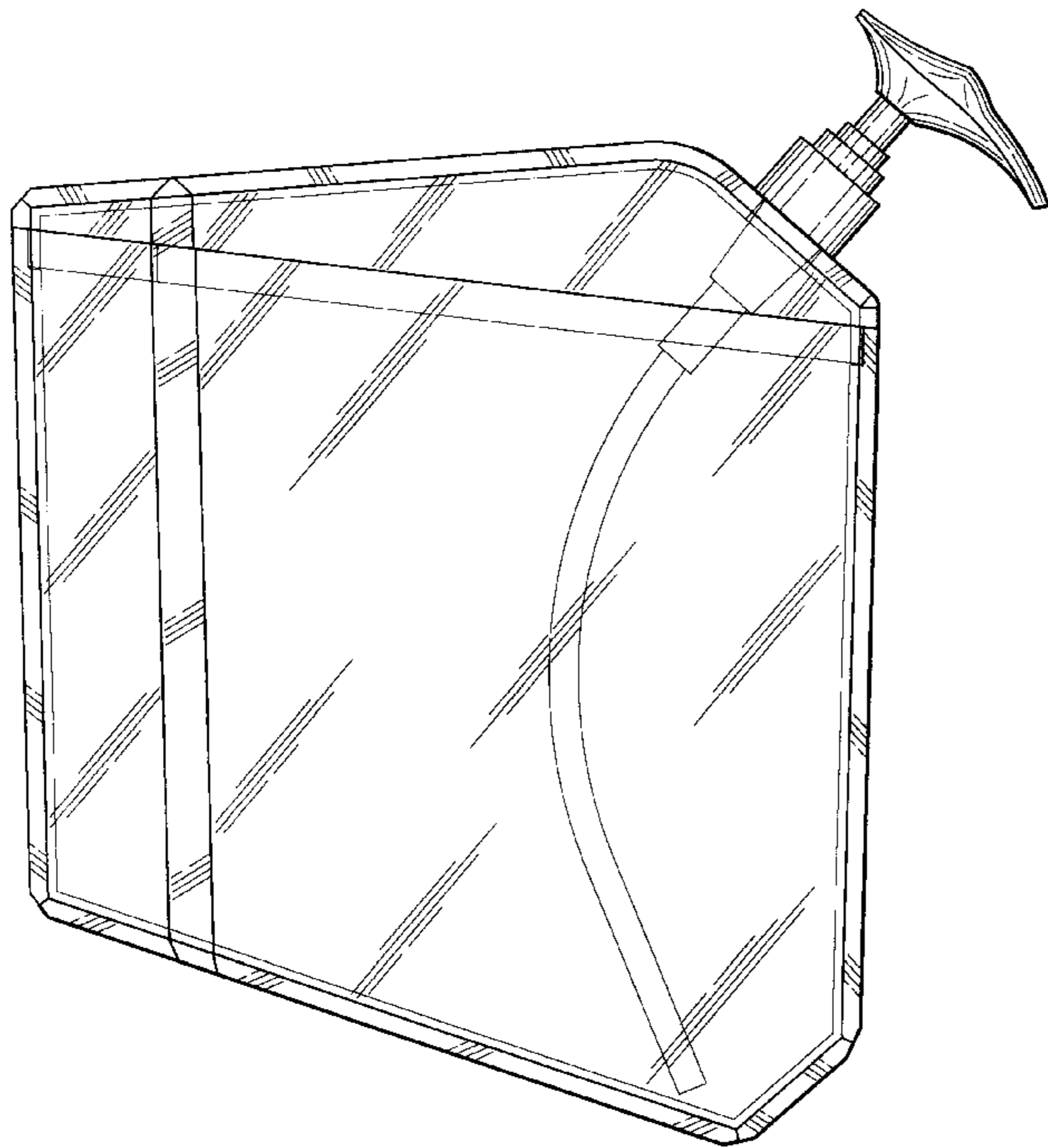
FIG. 2 is a front elevation view thereof.

FIG. 3 is a rear elevation view thereof.

FIG. 4 is an upper plan view thereof; and,

FIG. 5 is a lower plan view thereof.

1 Claim, 3 Drawing Sheets



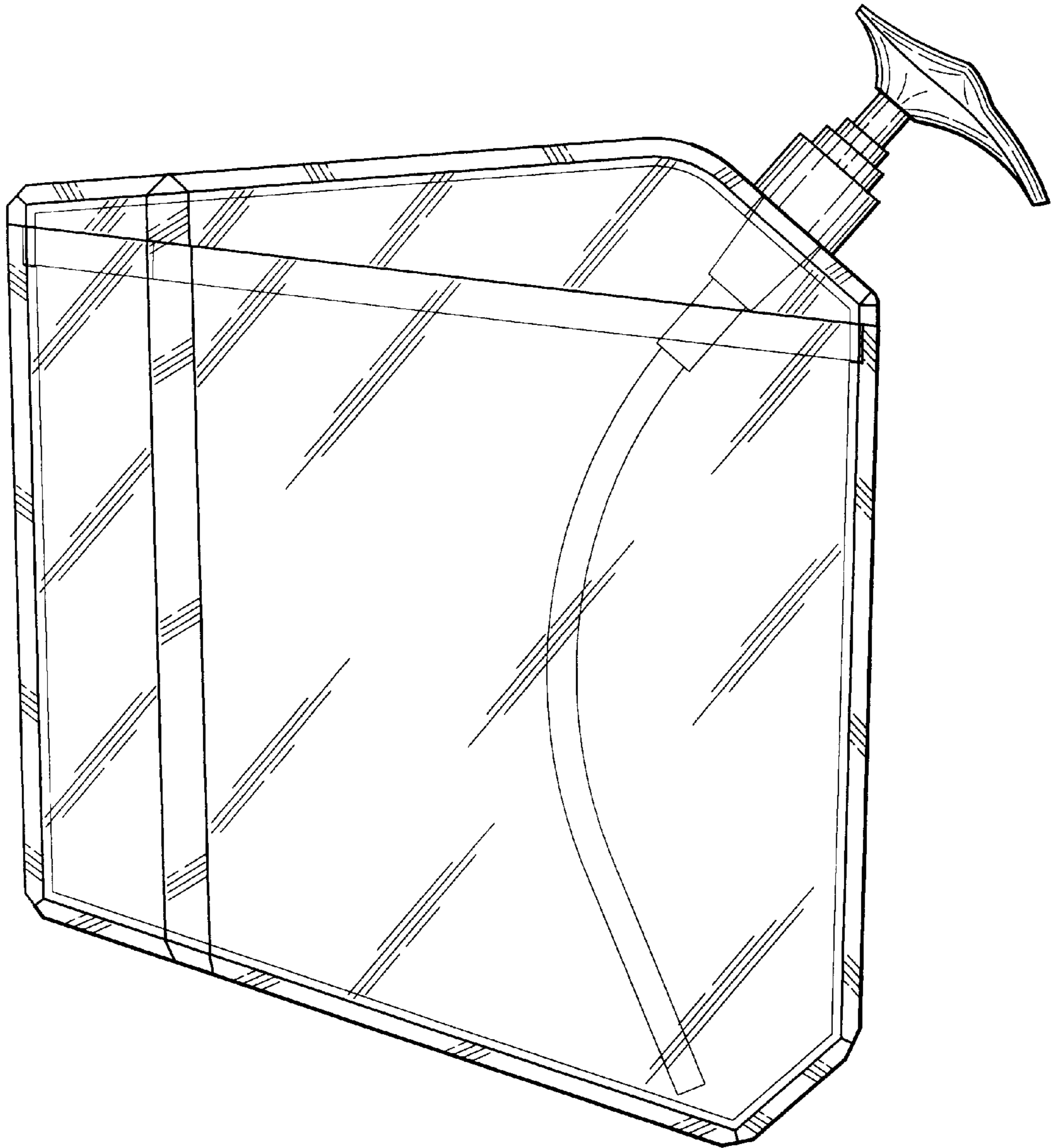


Fig. 1

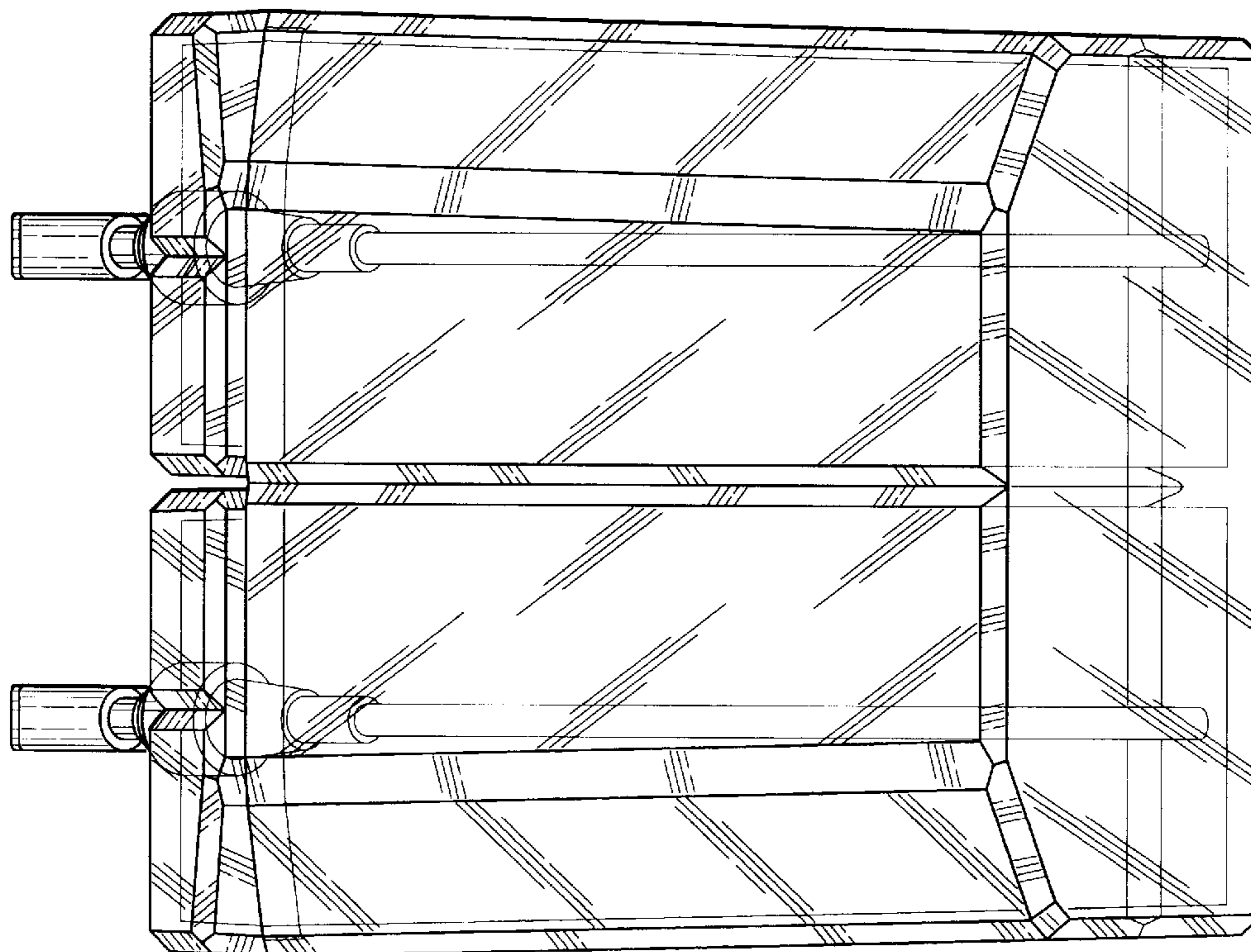


Fig. 3

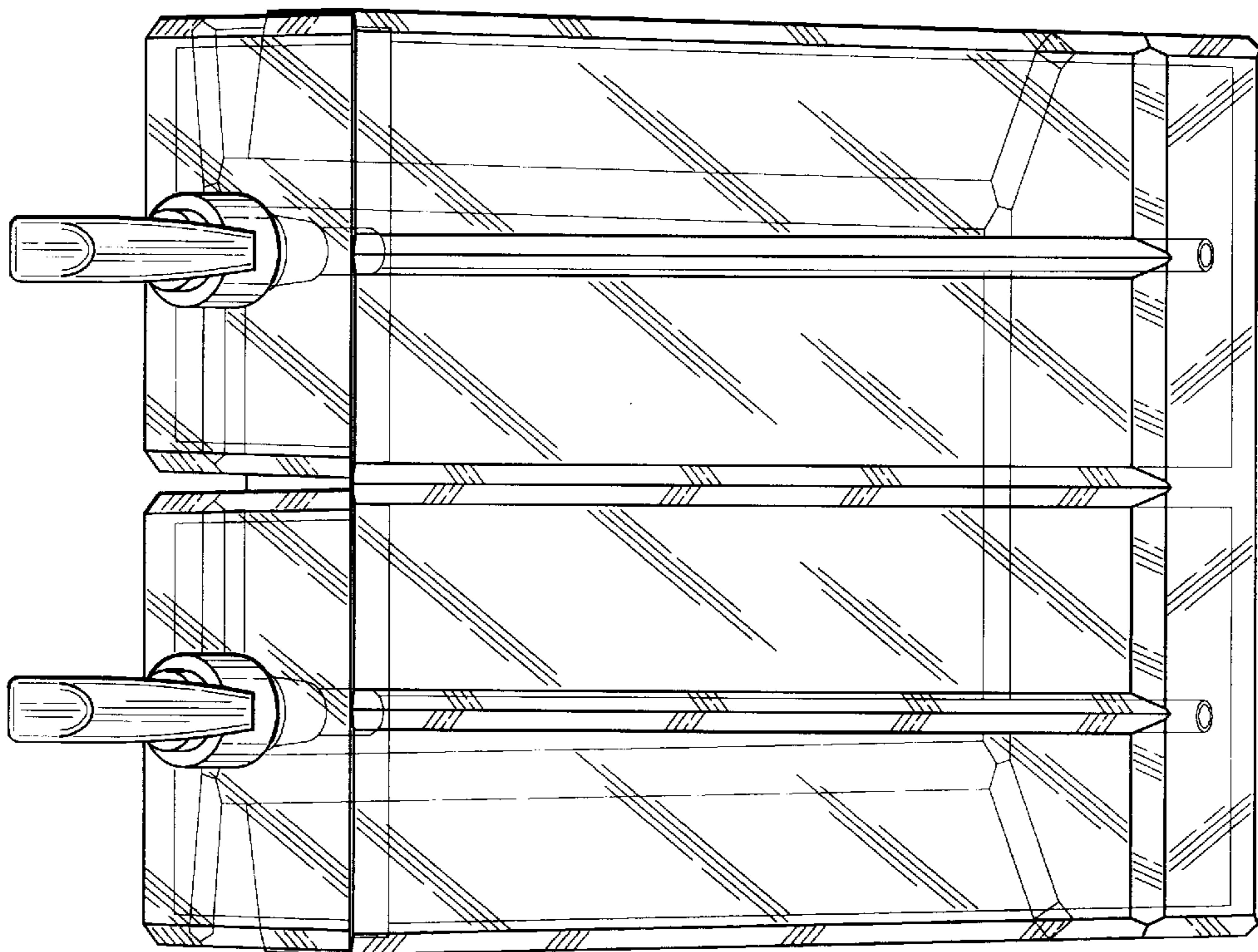


Fig. 2

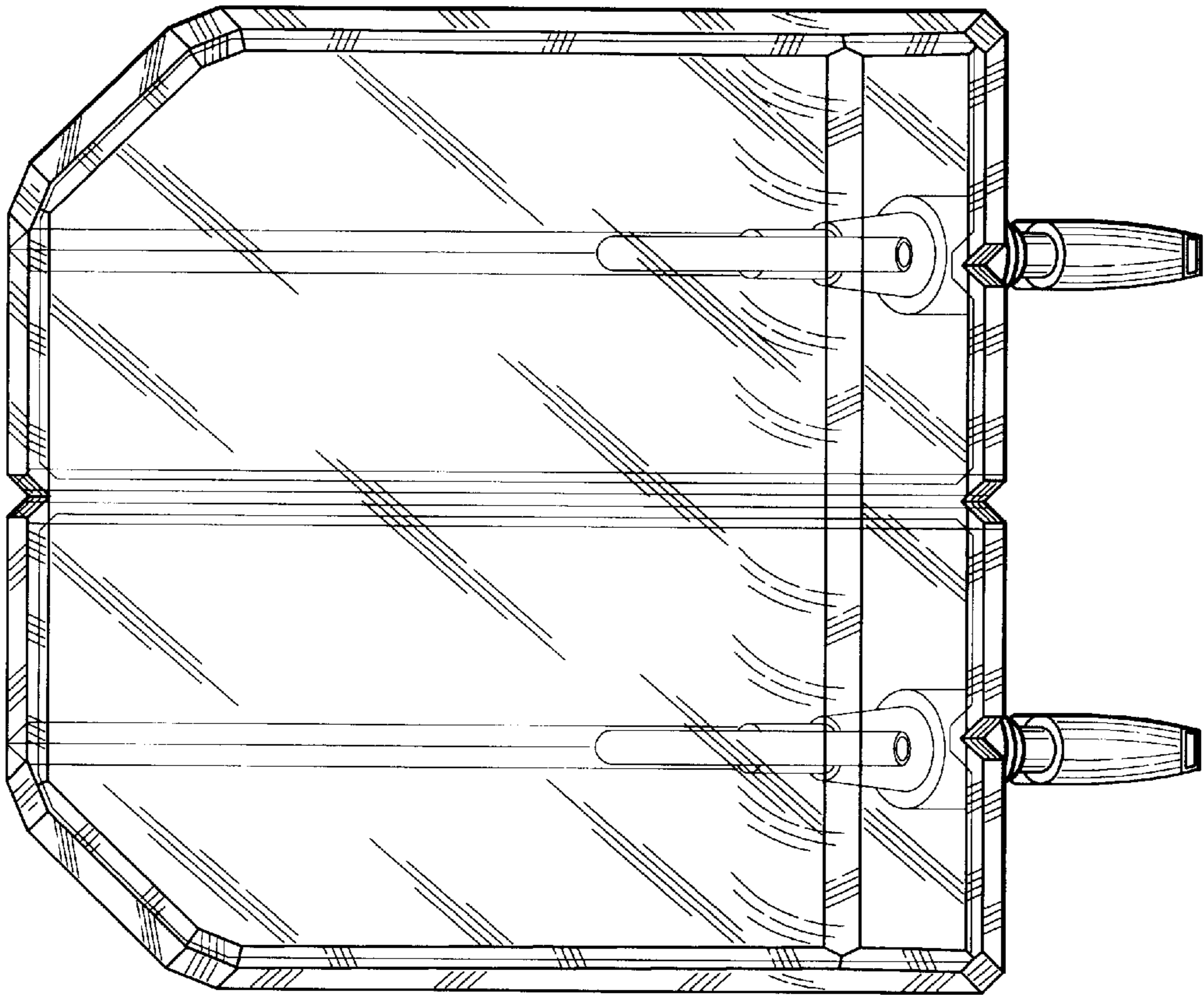


Fig. 5

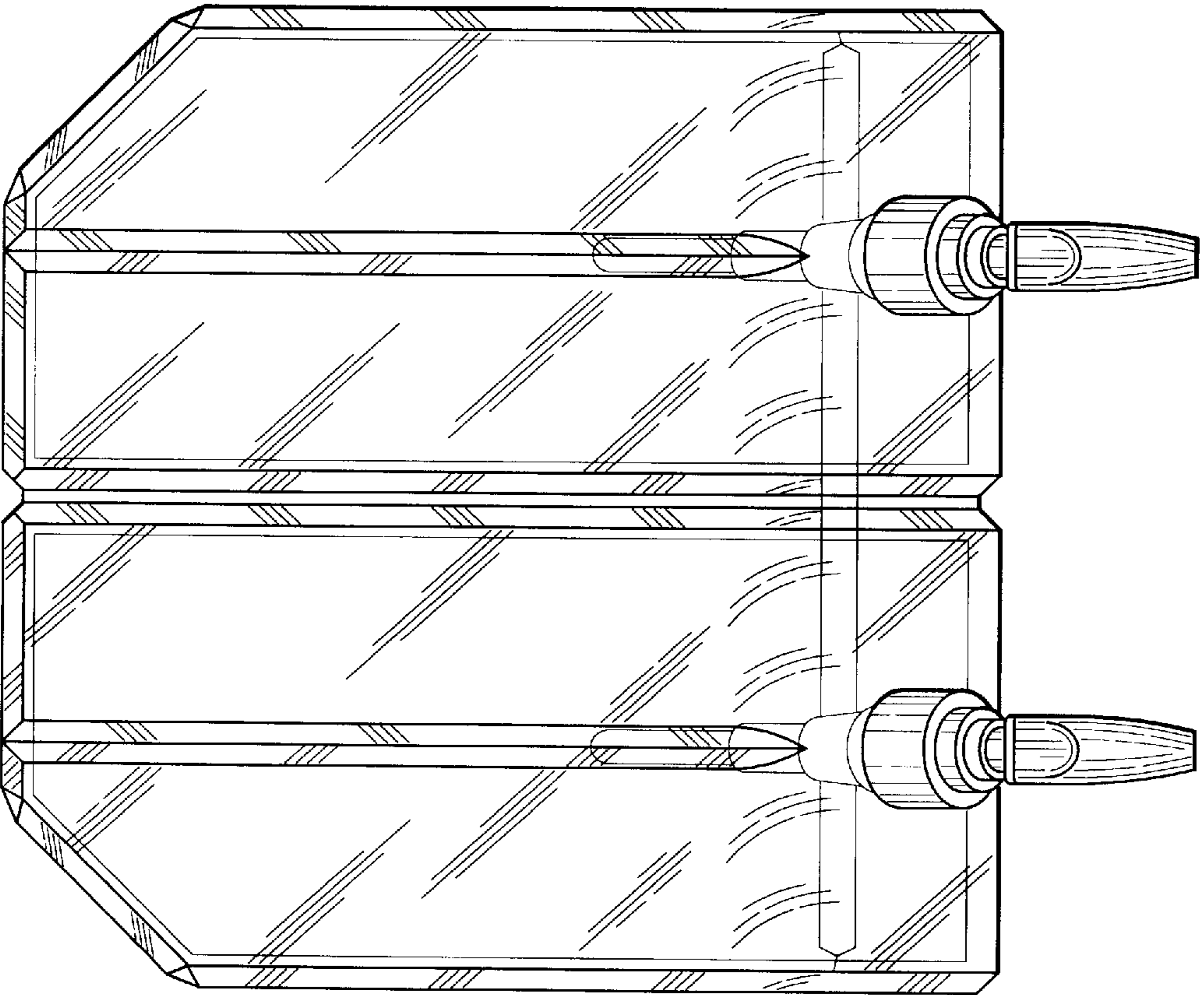


Fig. 4