



US00D409477S

United States Patent [19] Royster

[11] Patent Number: Des. 409,477

[45] Date of Patent: ** May 11, 1999

[54] SHOCK ABSORBING CASTER

[75] Inventor: James E. Royster, Northville, Mich.

[73] Assignee: R. T. Laird, Inc., Plymouth, Mich.

[**] Term: 14 Years

[21] Appl. No.: 29/086,161

[22] Filed: Apr. 7, 1998

[51] LOC (6) Cl. 08-05

[52] U.S. Cl. D8/375

[58] Field of Search D8/375; 16/18 R,
16/18 CG, 29, 39, 45

3,747,950 7/1973 Hager .

4,002,352 1/1977 Hager 280/408

4,200,195 4/1980 Hager 211/24

4,254,532 3/1981 Hager 16/20

4,351,636 9/1982 Hager 474/135

4,549,746 10/1985 Hager .

4,685,174 8/1987 Hager 16/44

4,923,346 5/1990 Hager 410/19

Primary Examiner—Holly Baynham
Attorney, Agent, or Firm—Young & Basile, P.C.

[57] CLAIM

The ornamental design for a shock absorbing caster, as shown and described.

DESCRIPTION

FIG. 1 is a shock absorbing caster embodying the ornamental design constituting my invention;

FIG. 2 is a rear view thereof;

FIG. 3 is a top plan view thereof;

FIG. 4 is a left-side elevational view of FIG. 1, which is identical to the right-side elevational view; and,

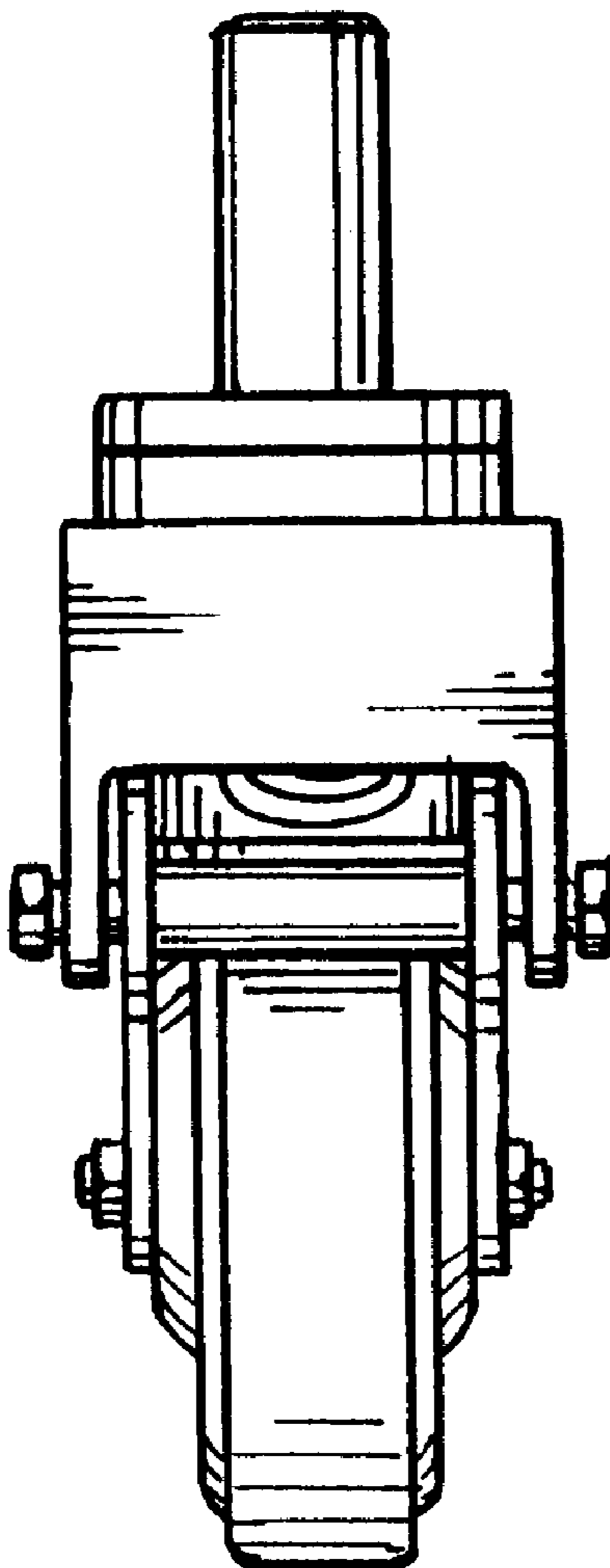
FIG. 5 is a bottom plan view thereof.

[56] **References Cited**

U.S. PATENT DOCUMENTS

D. 274,788	7/1984	Simonsen	D8/375
D. 282,905	3/1986	Black	D8/375
D. 319,384	8/1991	Lange	D8/375
D. 326,221	5/1992	Brule	D8/375
D. 378,657	4/1997	Screen	D8/375
3,066,950	12/1962	Olson et al.	.	
3,518,714	7/1970	Hager	.	

1 Claim, 1 Drawing Sheet



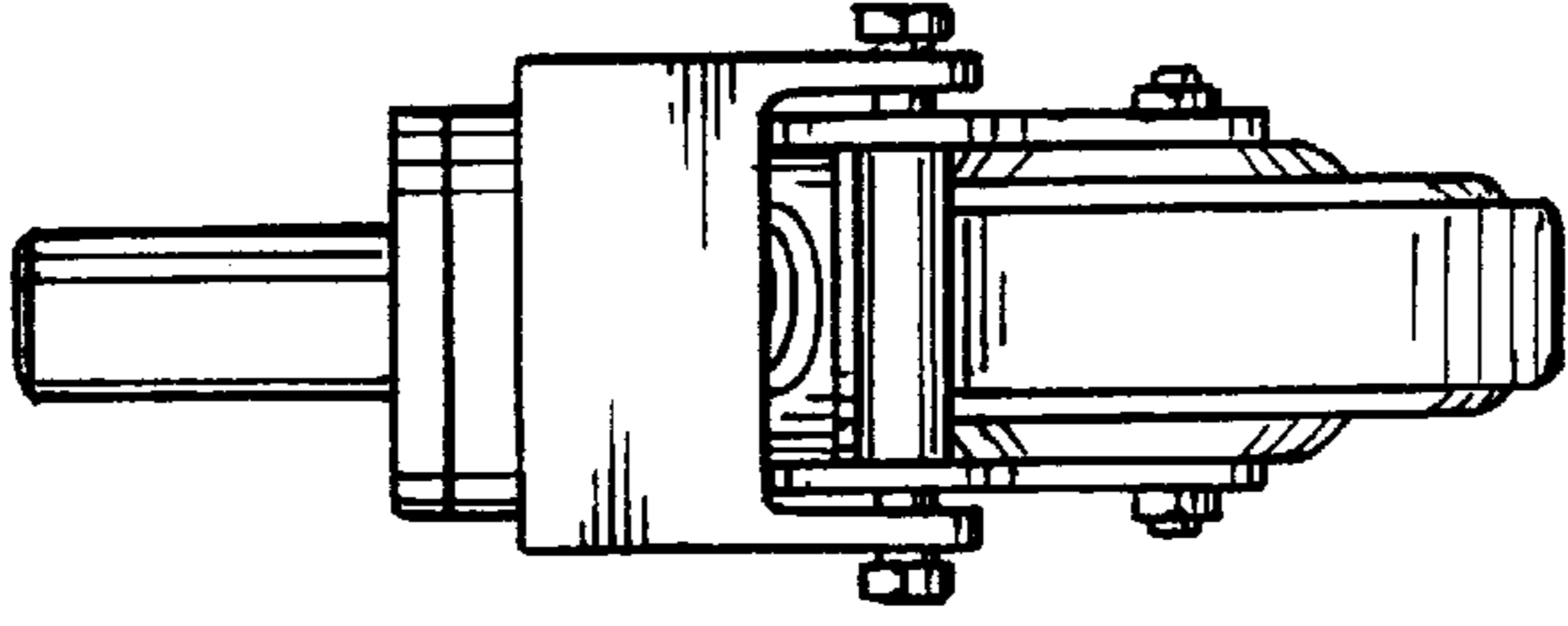


FIG-1

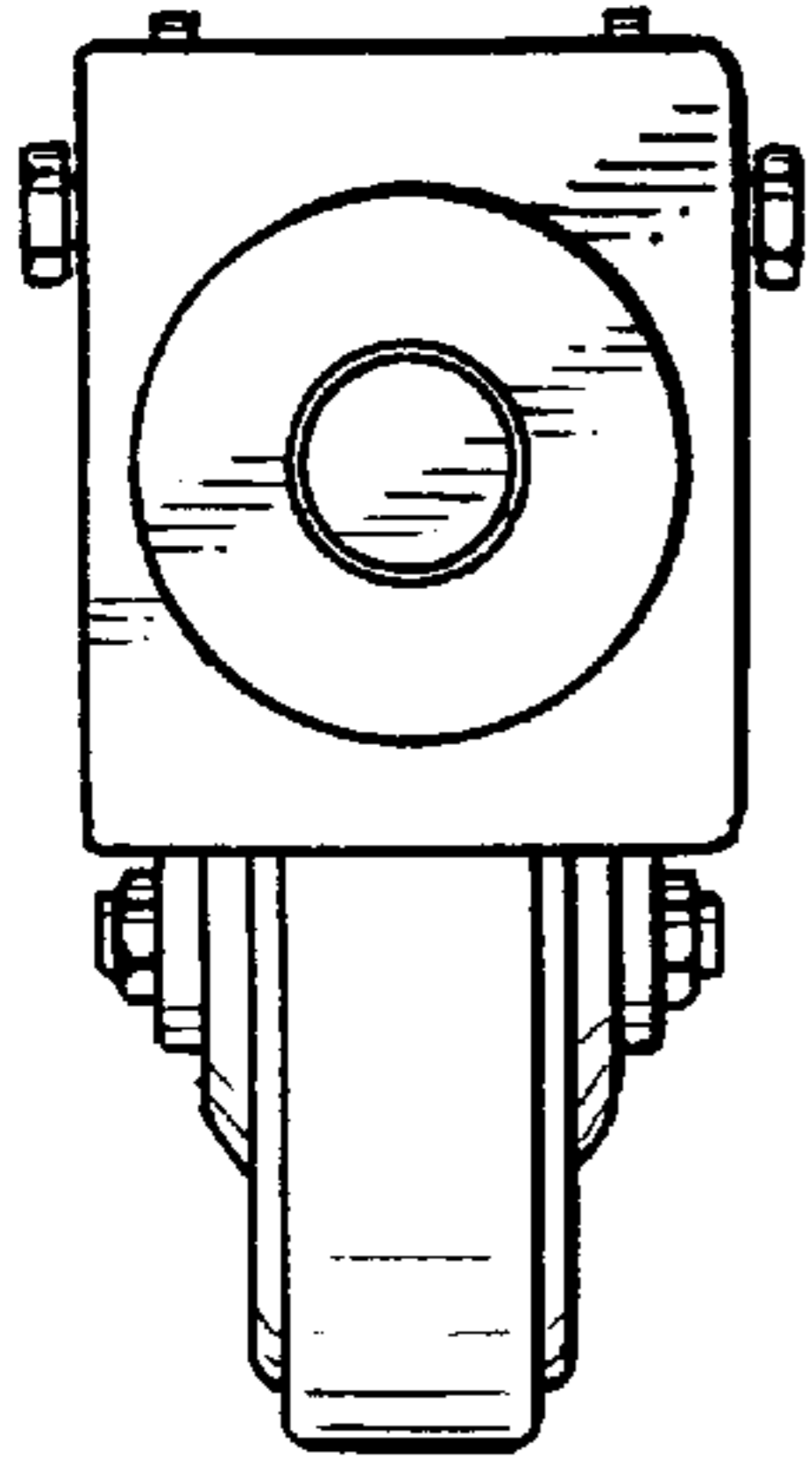


FIG-3

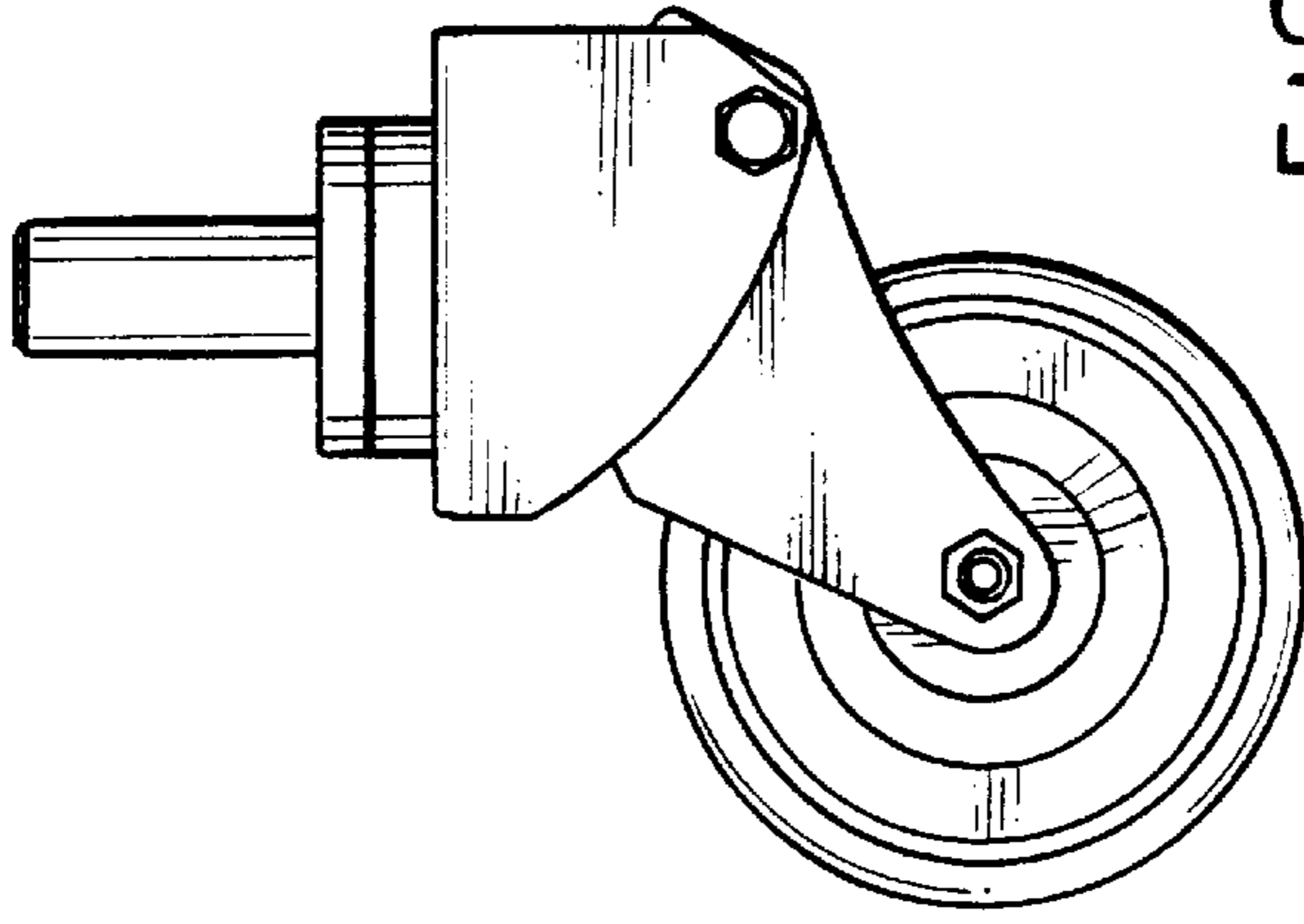


FIG-4

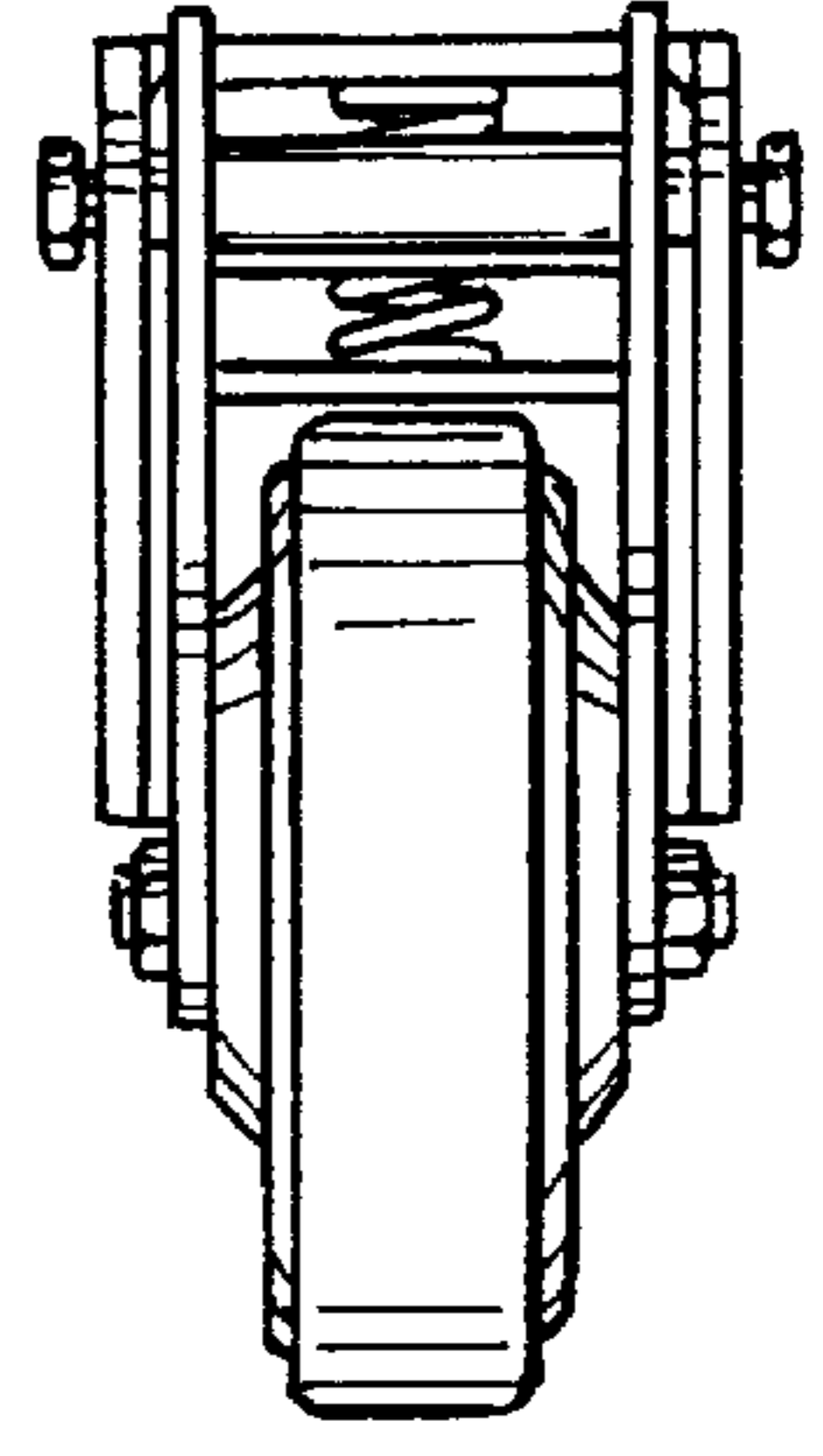


FIG-5

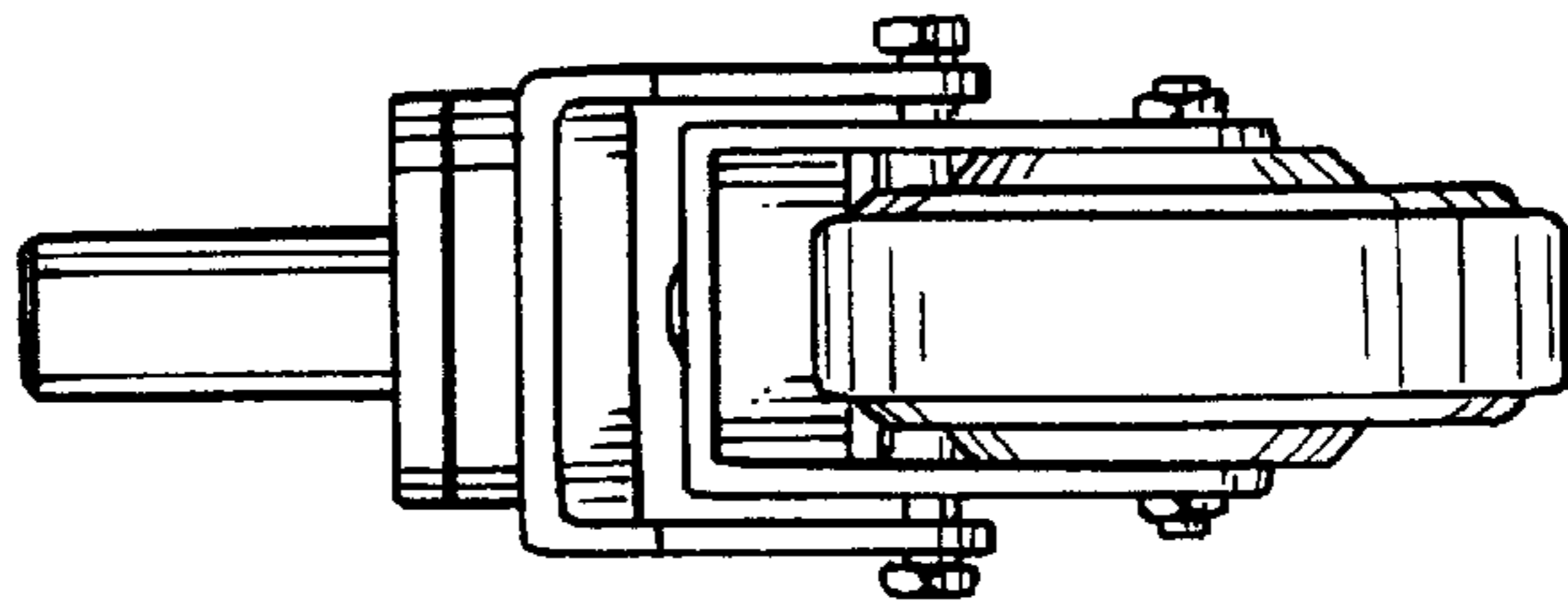


FIG-2