



US00D409476S

United States Patent [19]
Kusakari

[11] **Patent Number: Des. 409,476**

[45] **Date of Patent: ** May 11, 1999**

[54] **BOBBIN FOR WIRE BINDER**

D. 359,440 6/1995 Stewart D8/359
5,515,887 5/1996 Hanagasaki et al. 140/119

[75] Inventor: **Ichiro Kusakari**, Tokyo, Japan

[73] Assignee: **Max Co., Ltd.**, Tokuo, Japan

[**] Term: **14 Years**

Primary Examiner—Holly Baynham
Attorney, Agent, or Firm—Morgan, Lewis & Bockius LLP

[21] Appl. No.: **29/092,651**

[22] Filed: **Aug. 24, 1998**

[57] **CLAIM**

The ornamental design for a bobbin for wire binder, as shown and described.

[30] **Foreign Application Priority Data**

Feb. 26, 1998 [JP] Japan 10-5658

DESCRIPTION

[51] **LOC (6) Cl.** **08-05**

[52] **U.S. Cl.** **D8/358**

[58] **Field of Search** D8/358; D3/24;
242/118.4, 129, 129.5, 129.51, 405.1

FIG. 1 is a perspective view of the top, front and left side of a bobbin for wire binder showing my new design;
FIG. 2 is a front elevational view thereof;
FIG. 3 is a top plan view thereof;
FIG. 4 is left side elevational view thereof;
FIG. 5 is a right side elevational view thereof;
FIG. 6 is a rear elevational view thereof; and,
FIG. 7 is a bottom plan view thereof.

[56] **References Cited**

U.S. PATENT DOCUMENTS

D. 300,405 3/1989 Kuntze et al. D8/358

1 Claim, 3 Drawing Sheets

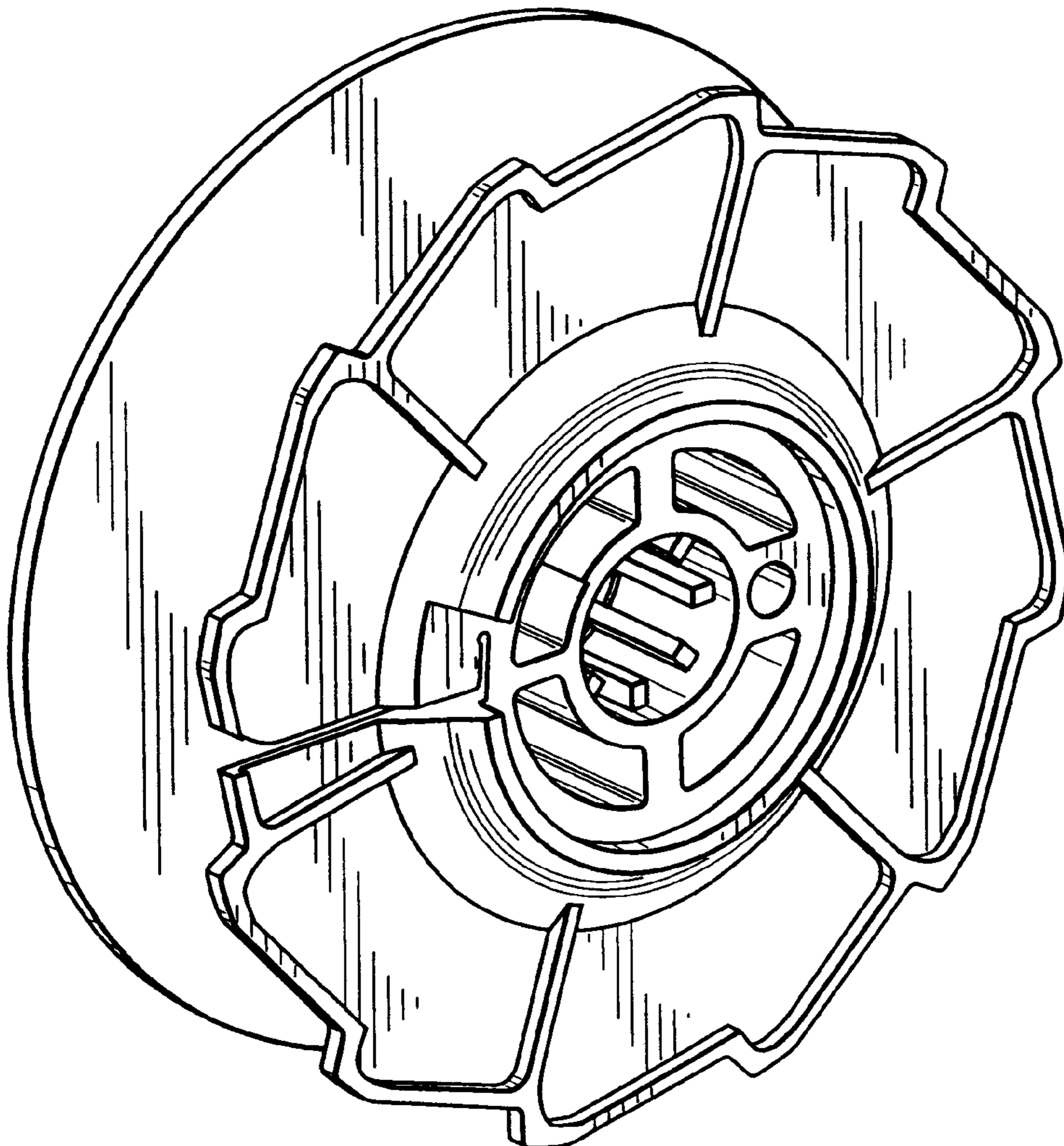


FIG. 1

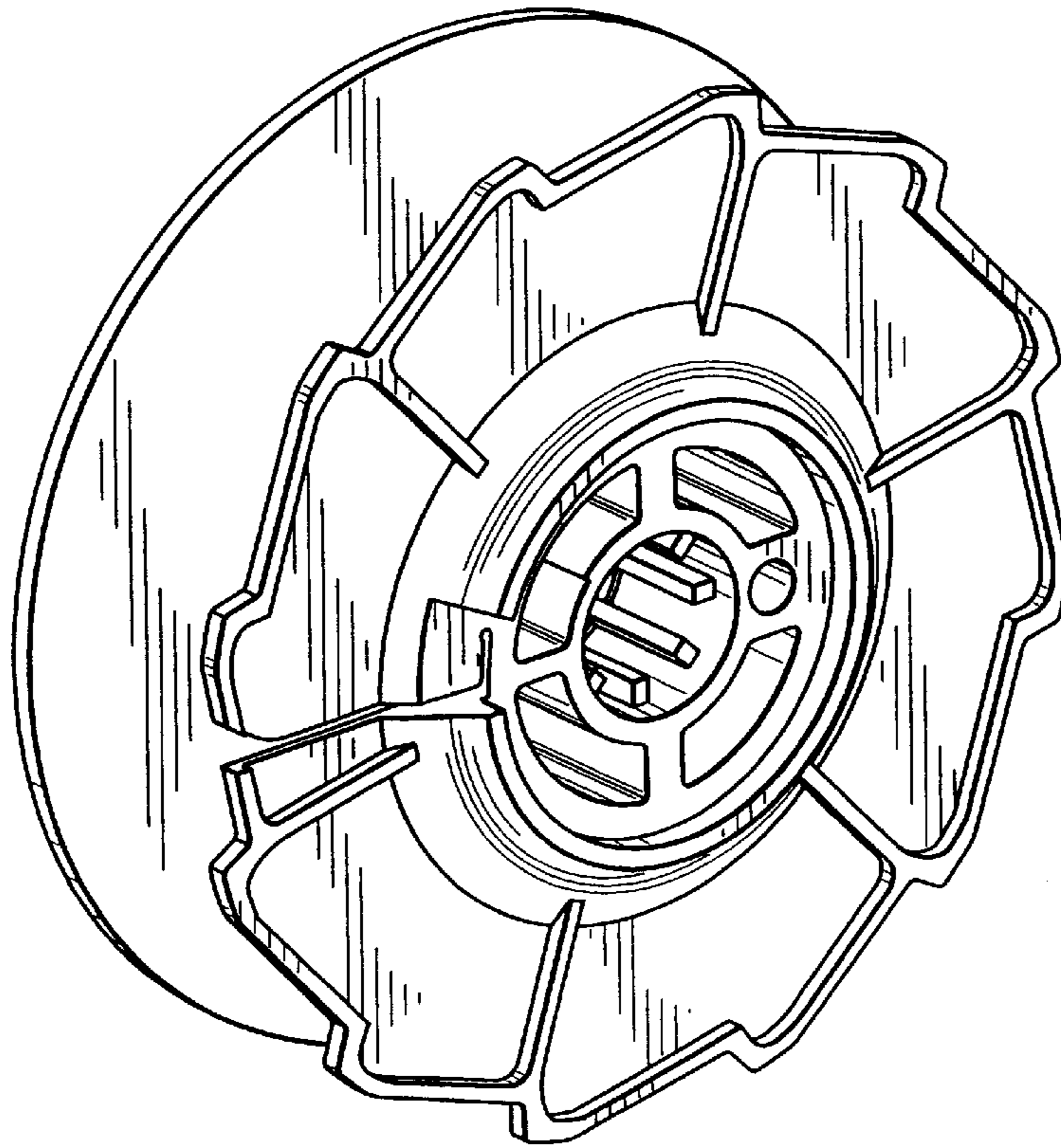


FIG. 2

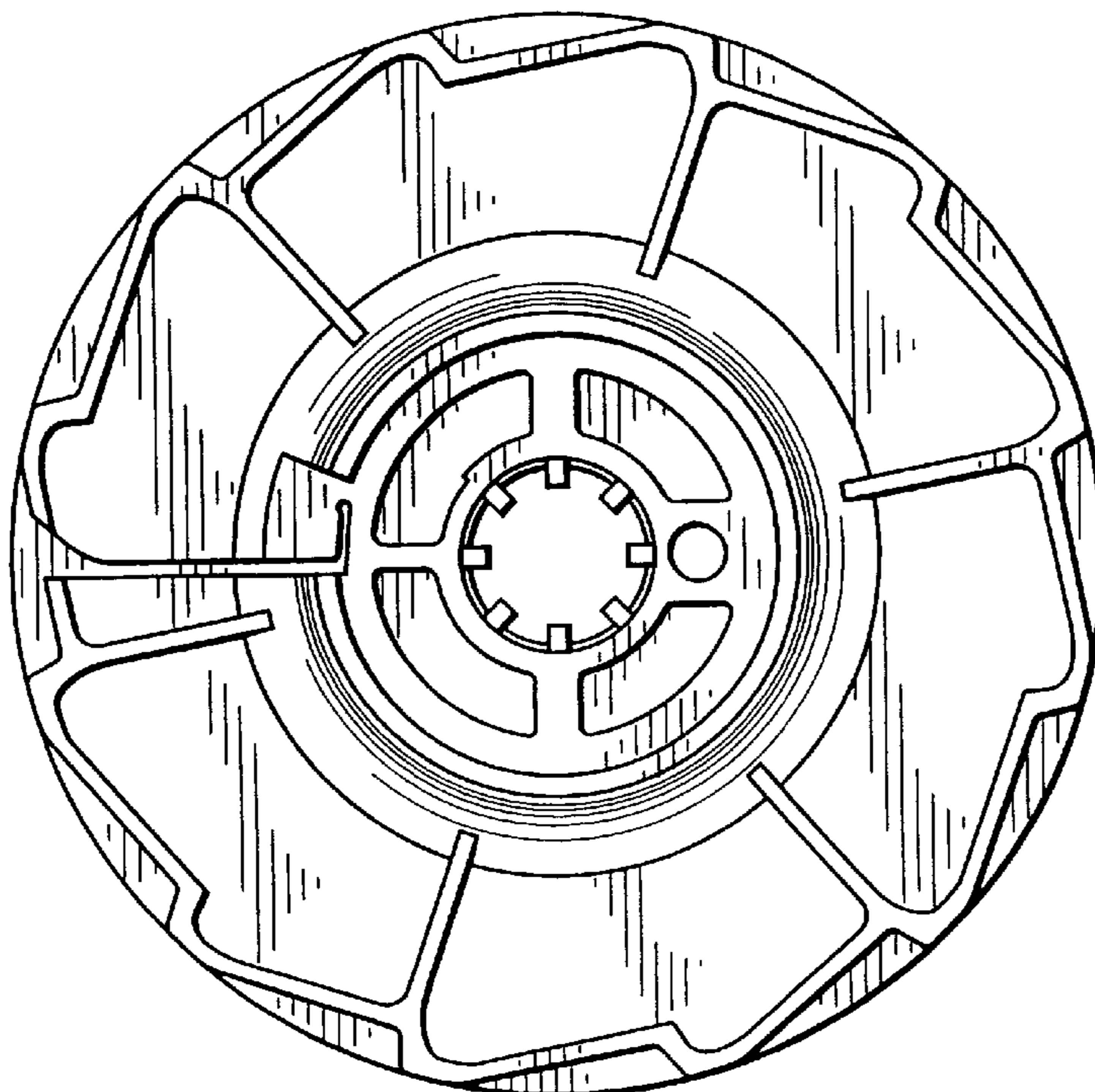


FIG. 3

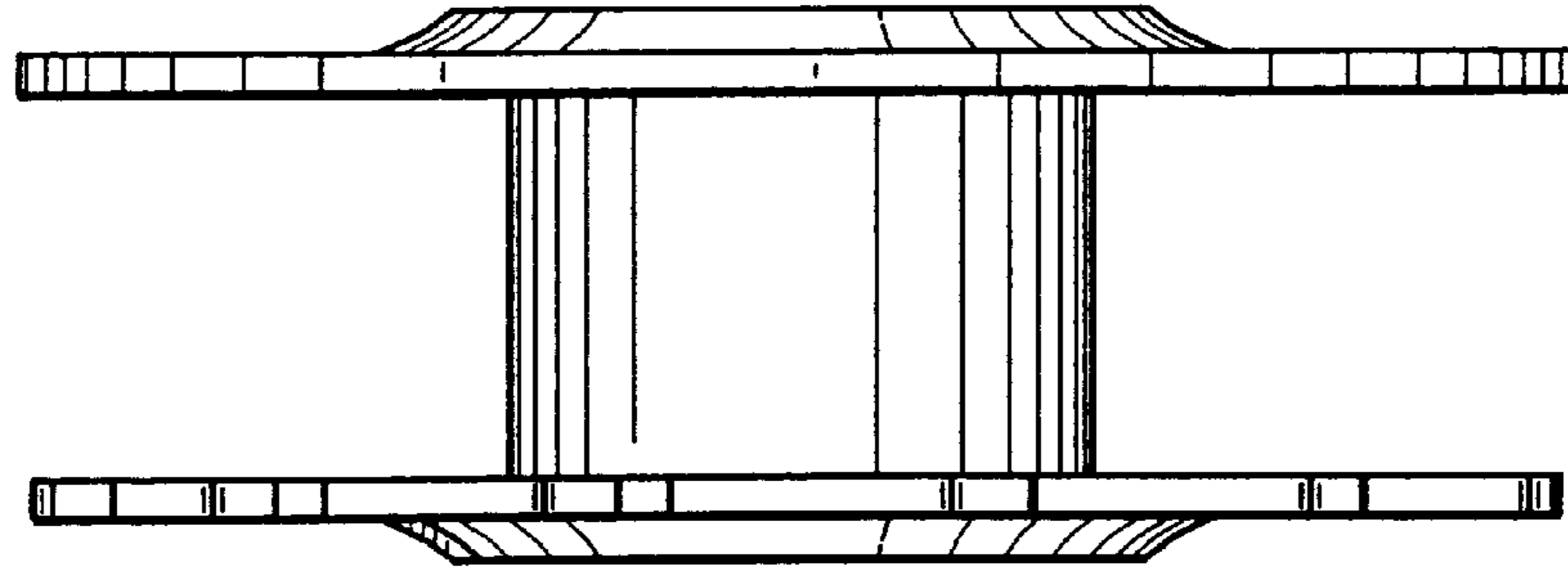


FIG. 4

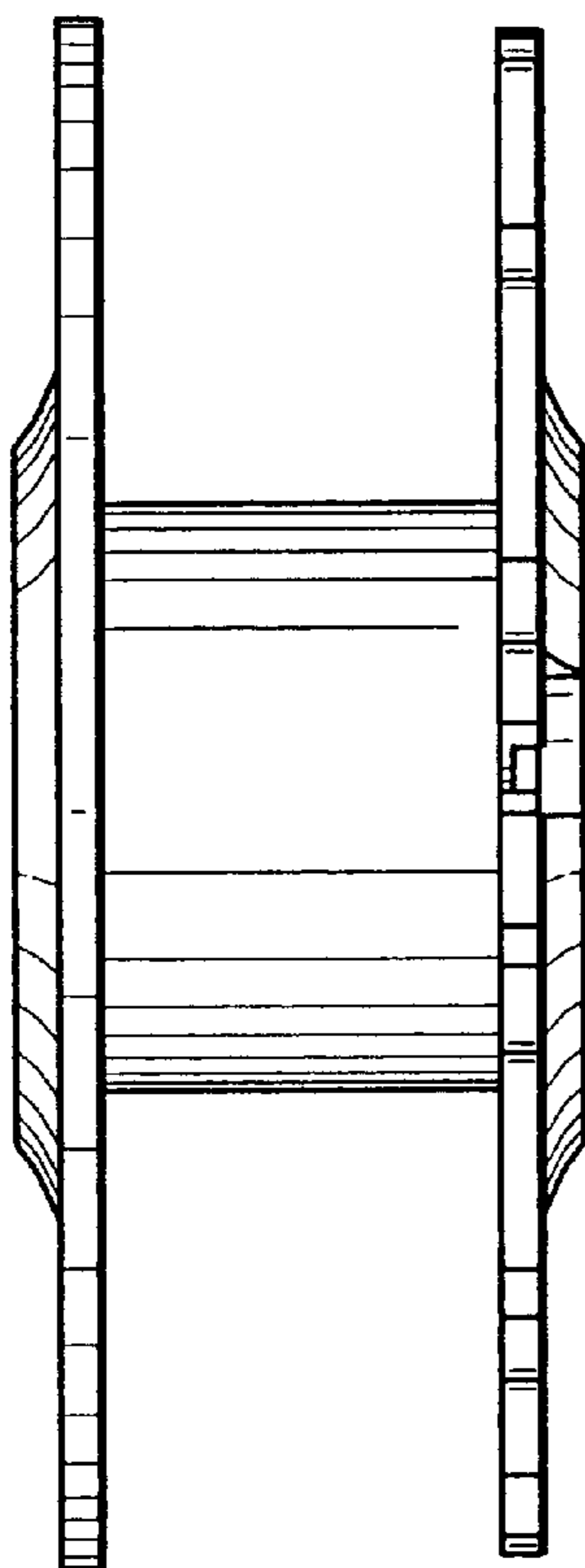


FIG. 5

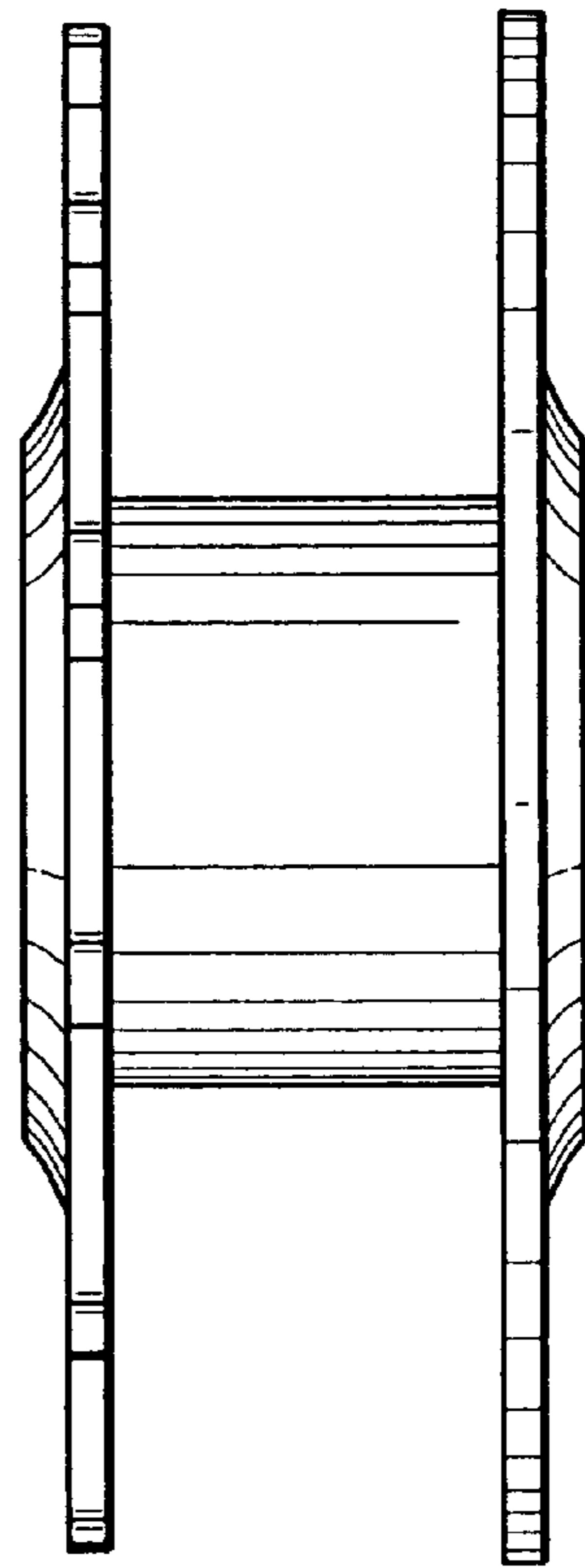


FIG. 6

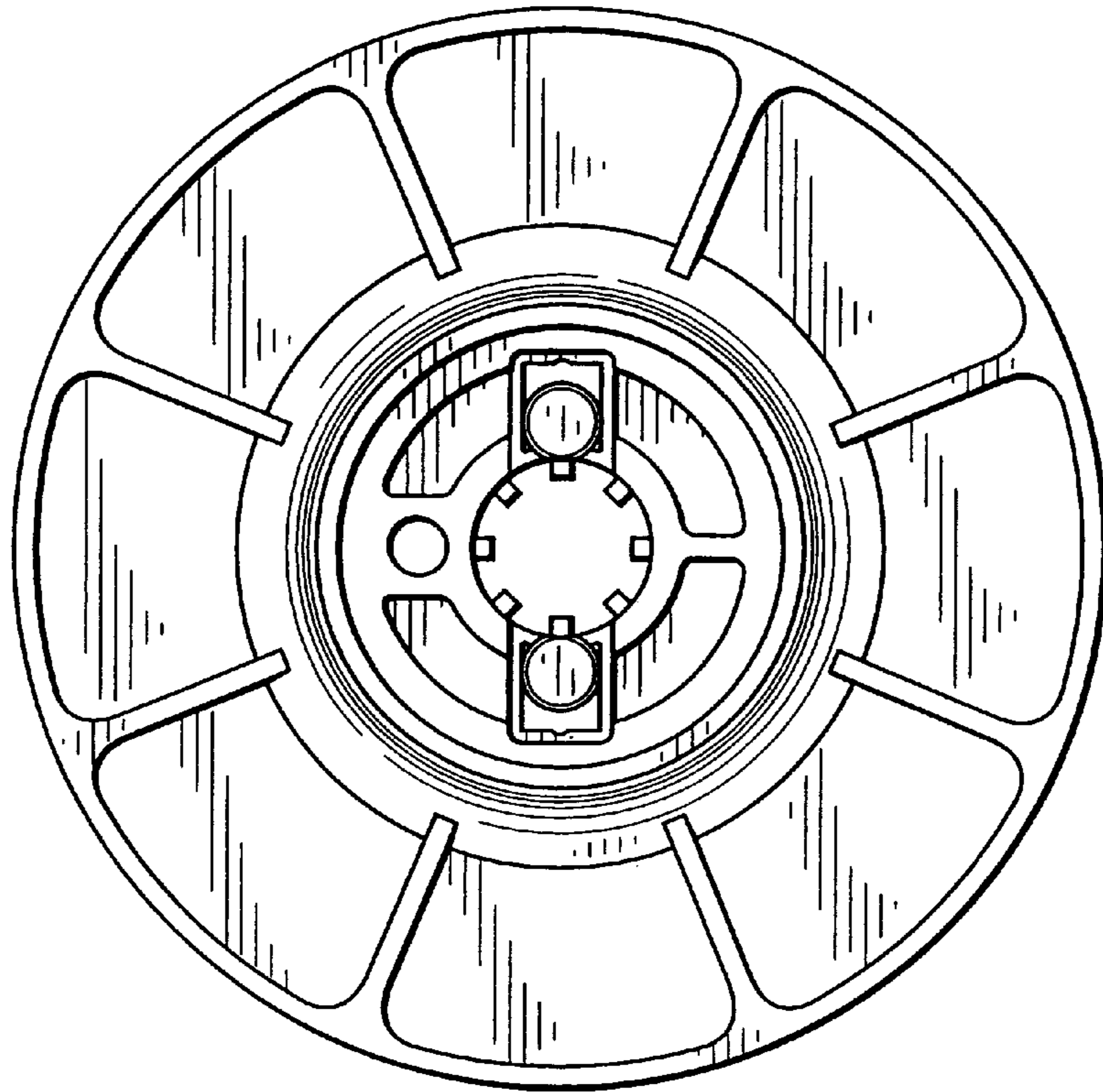


FIG. 7

