



US00D409475S

United States Patent [19]
Byrne

[11] **Patent Number: Des. 409,475**

[45] **Date of Patent: ** May 11, 1999**

[54] **IN-LINE GROMMET FOR LIFT-UP DEVICES**

[76] Inventor: **Norman R. Byrne**, 2736 Honey Creek, NE., Ada, Mich. 49301

[**] Term: **14 Years**

[21] Appl. No.: **29/086,043**

[22] Filed: **Apr. 3, 1998**

Related U.S. Application Data

[63] Continuation of application No. 29/071,662, Jun. 5, 1997, abandoned.

[51] **LOC (6) Cl.** **08-05**

[52] **U.S. Cl.** **D8/356**

[58] **Field of Search** D8/356; 16/2; 248/56; 174/153 G, 48

[56] **References Cited**

U.S. PATENT DOCUMENTS

- D. 296,761 7/1988 Mockett .
- D. 317,559 6/1991 Simonton .
- D. 361,711 8/1995 Plumley .

- D. 370,622 6/1996 Byrne D8/356
- 676,622 6/1901 Gochnauer .
- 2,811,574 10/1957 Guerrero .
- 2,861,857 11/1958 Lee et al. .
- 4,059,321 11/1977 Rassmussen et al. .
- 4,272,643 6/1981 Carroll et al. .
- 4,556,190 12/1985 Smith .
- 4,747,788 5/1988 Byrne .
- 4,959,509 9/1990 Takeuchi et al. .

Primary Examiner—Holly Baynham
Attorney, Agent, or Firm—Varnum, Riddering, Schmidt & Howlett llp

[57] **CLAIM**

The ornamental design for in-line grommet for lift-up devices, as shown and described.

DESCRIPTION

FIG. 1 is a perspective view of an in-line grommet for lift-up devices according to my design; FIG. 2 is a top plan view thereof; FIG. 3 is a side elevational view thereof; and, FIG. 4 is an end elevational view thereof.

1 Claim, 1 Drawing Sheet

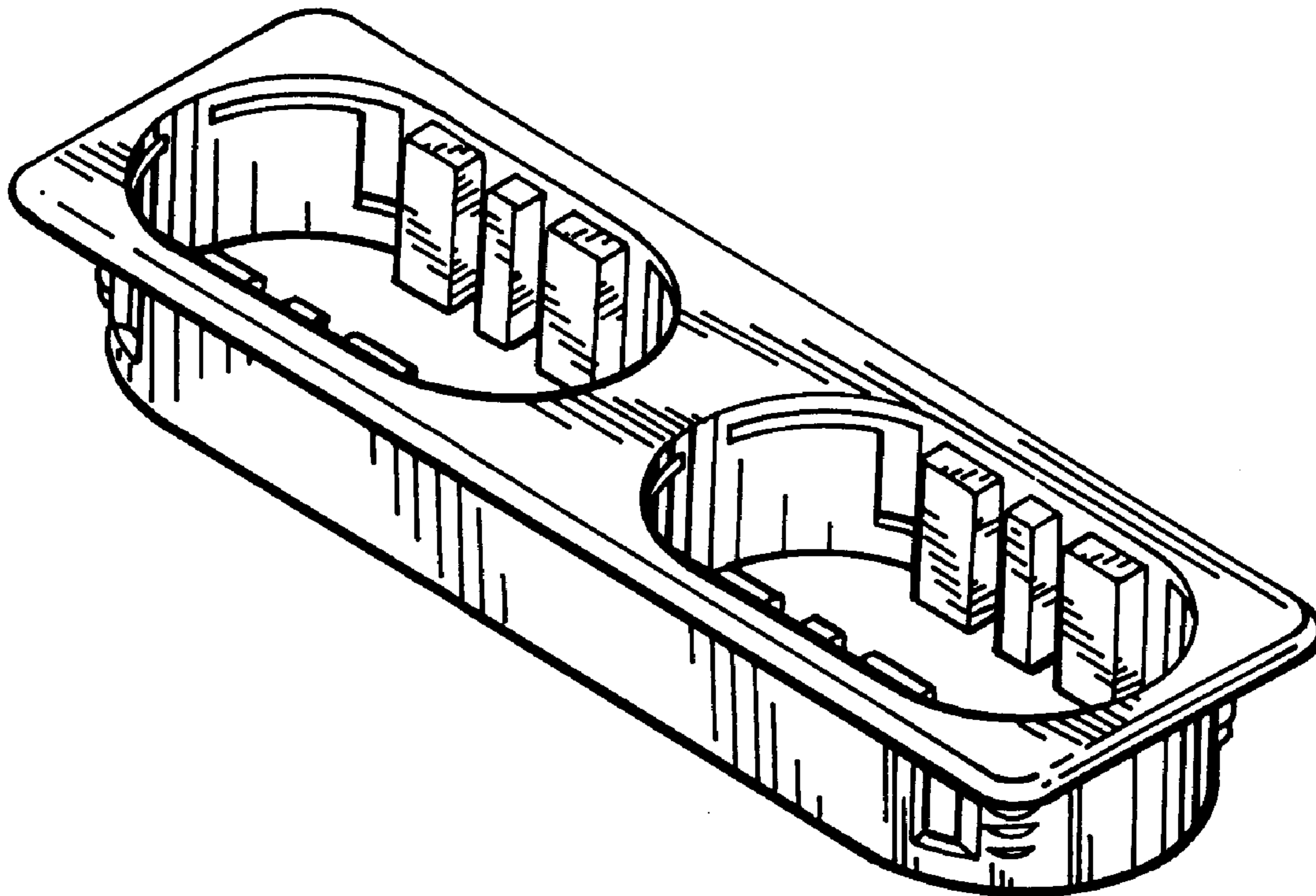




Fig. 3

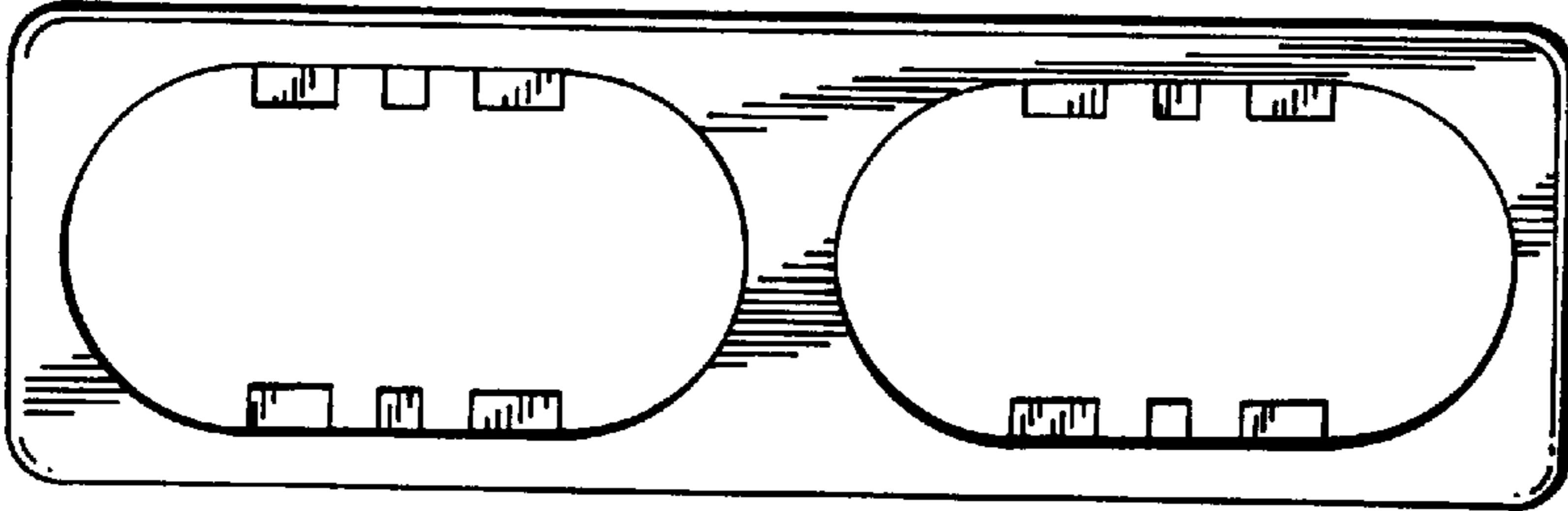


Fig. 2

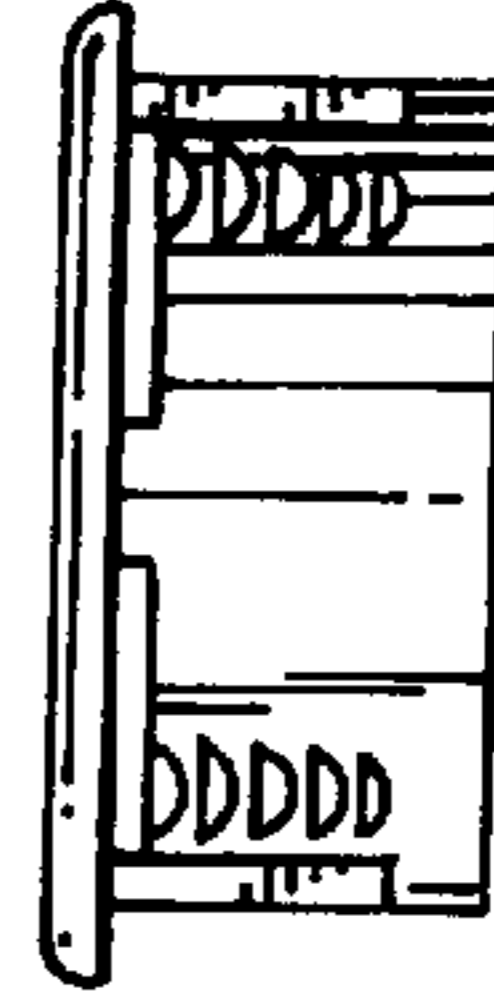


Fig. 4

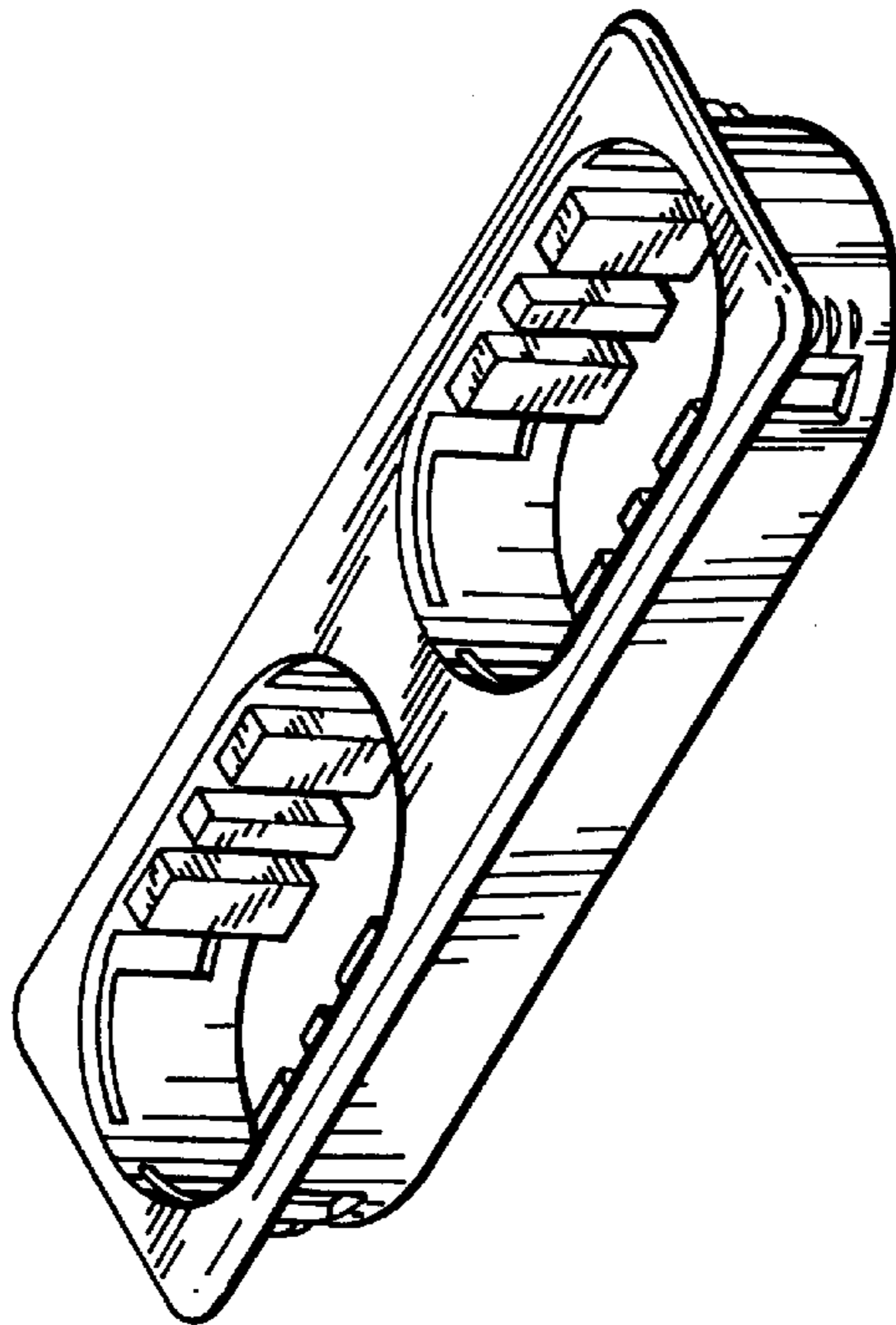


Fig. 1