



US00D409474S

**United States Patent** [19]  
**Chou**

[11] **Patent Number: Des. 409,474**

[45] **Date of Patent: \*\* May 11, 1999**

[54] **BRACKET**

[76] Inventor: **Tser-Wen Chou**, 19464 Via Del  
Caballo, Yorba Linda, Calif. 92686

[\*\*] Term: **14 Years**

[21] Appl. No.: **29/091,878**

[22] Filed: **Aug. 7, 1998**

[51] **LOC (6) Cl.** ..... **08-05**

[52] **U.S. Cl.** ..... **D8/354**

[58] **Field of Search** ..... D8/349, 354, 366,  
D8/380; 248/300, 200, 229.1, 27.1, 317

[56] **References Cited**

U.S. PATENT DOCUMENTS

2,915,274 12/1959 Gustitus ..... 24/115 X

*Primary Examiner*—Holly Baynham  
*Attorney, Agent, or Firm*—Curtis L. Harrington

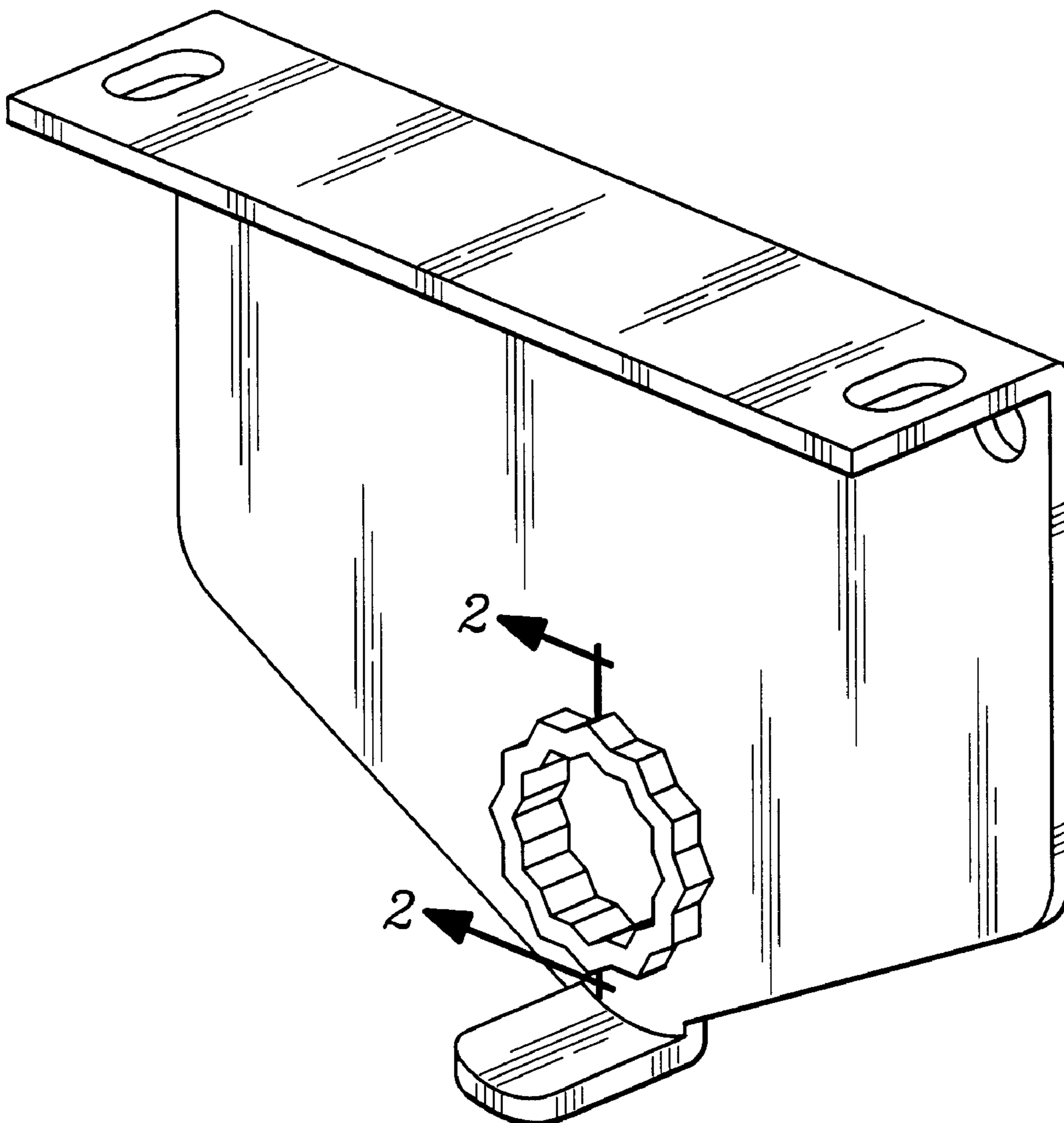
[57] **CLAIM**

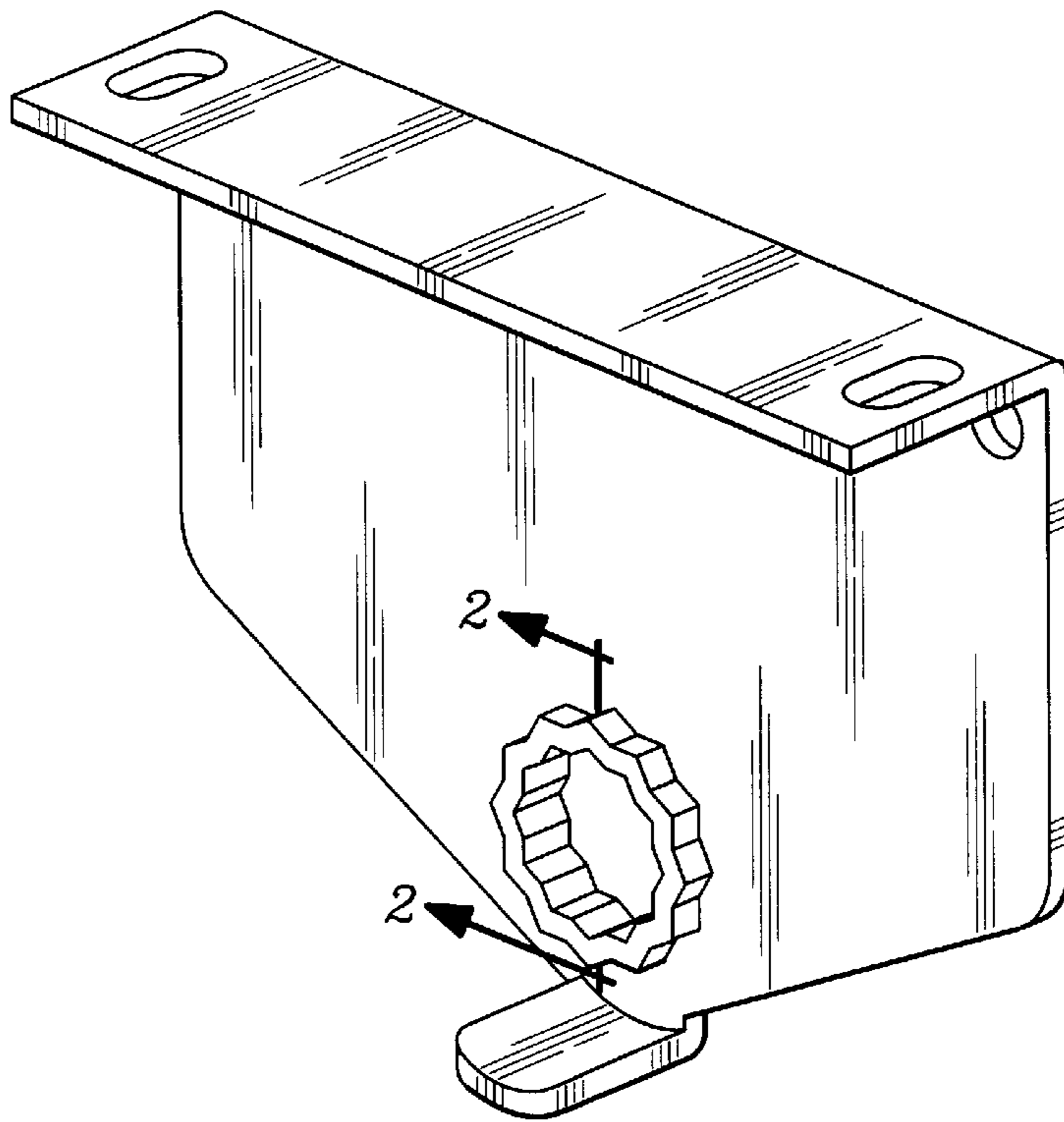
The ornamental design for a bracket, as shown and described.

**DESCRIPTION**

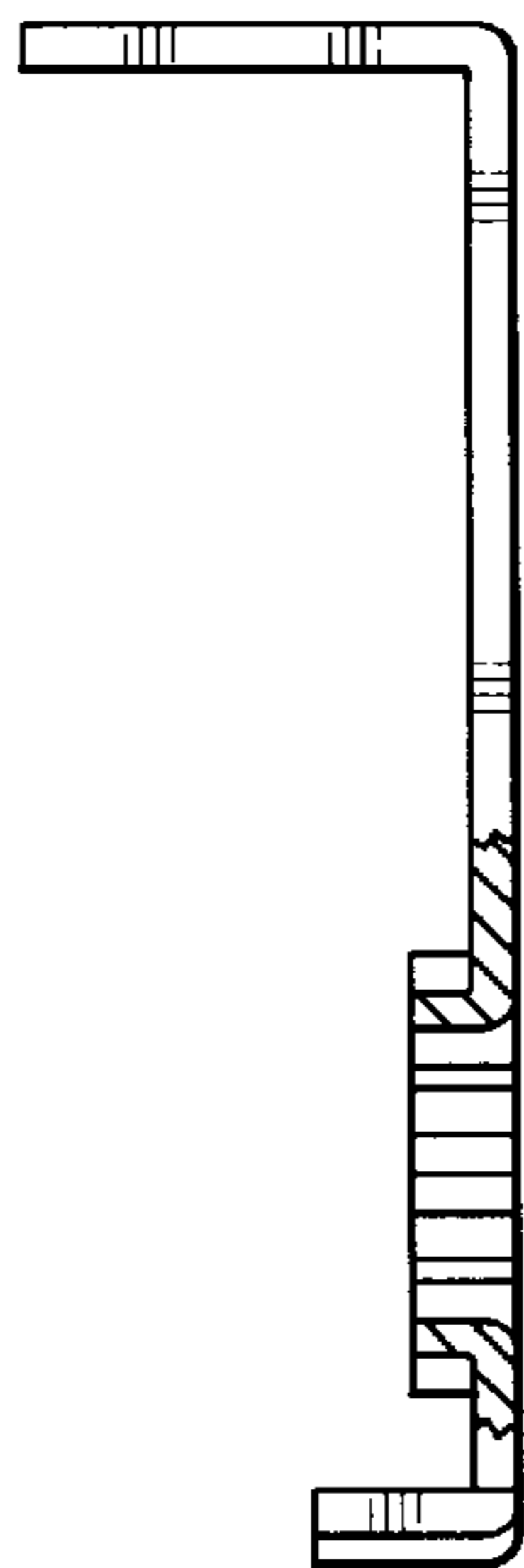
FIG. 1 is a perspective view of the bracket, showing my new design;  
FIG. 2 is a side and partial sectional view necessary to show the side surface of a main aperture;  
FIG. 3 is a front view;  
FIG. 4 is a rear view;  
FIG. 5 is a top view; and,  
FIG. 6 is a bottom view.

**1 Claim, 2 Drawing Sheets**

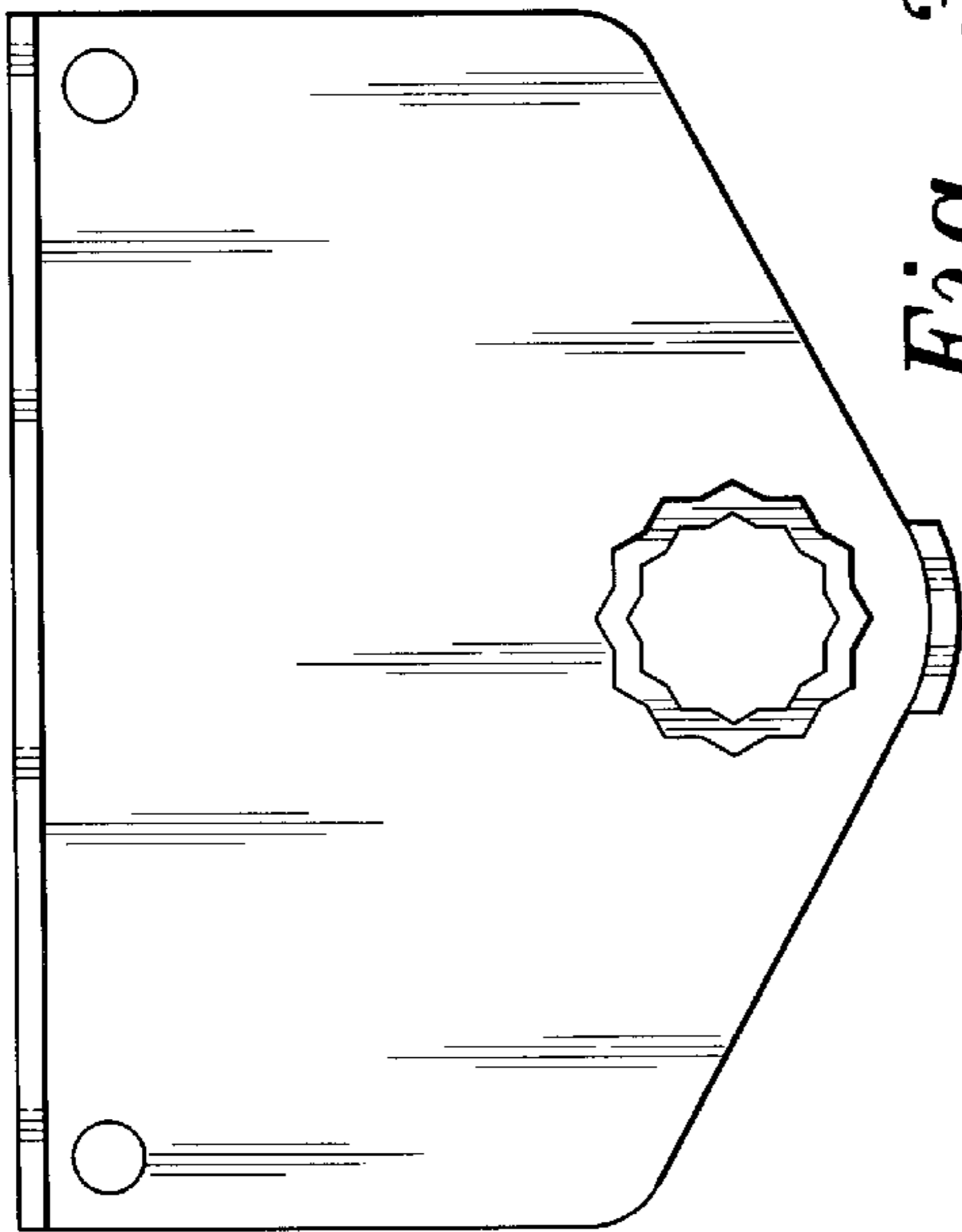




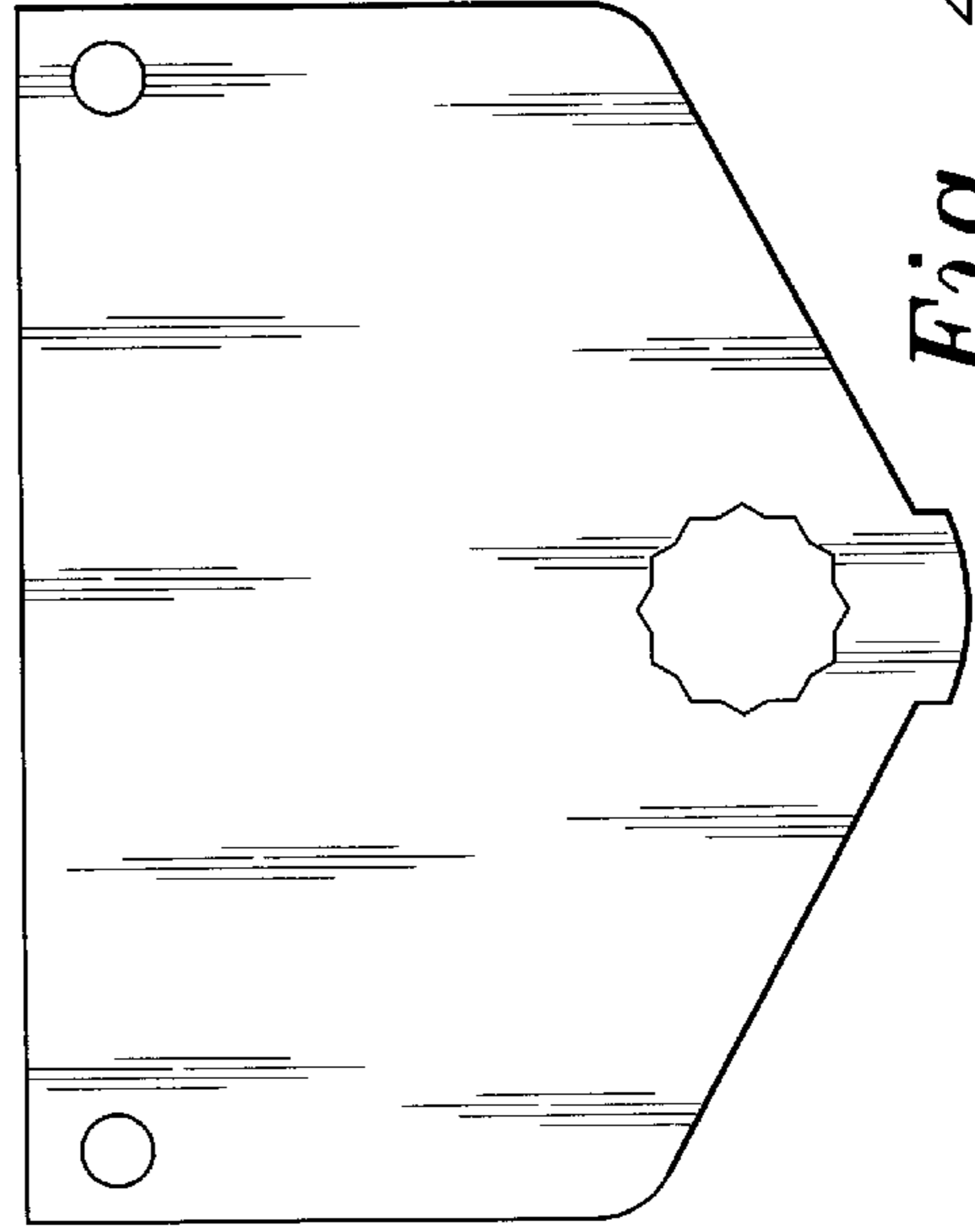
*Fig. 1*



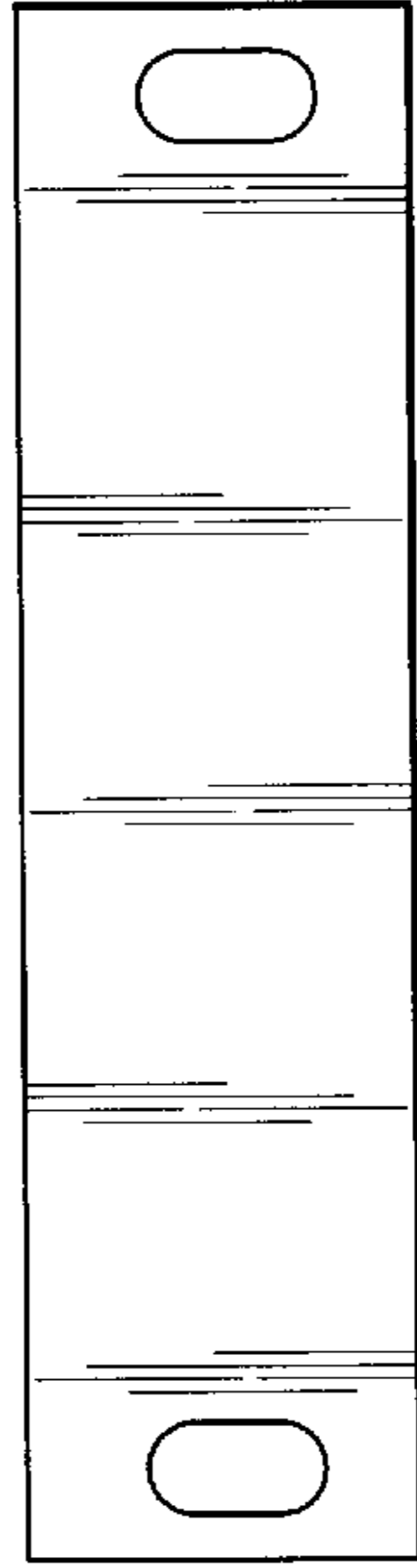
*Fig. 2*



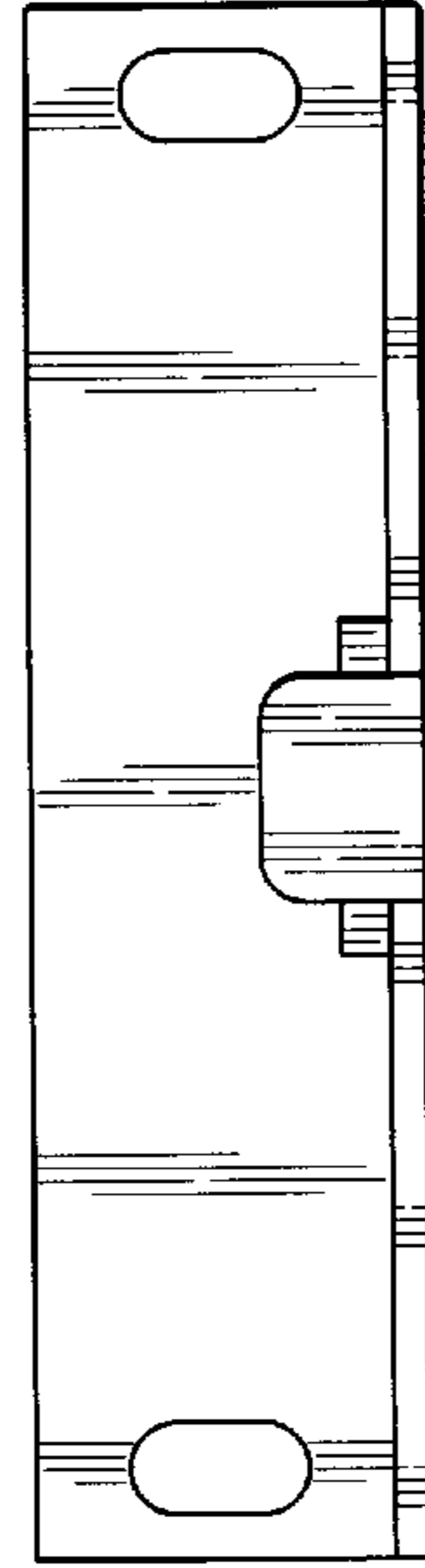
*Fig. 3*



*Fig. 4*



*Fig. 5*



*Fig. 6*