



US00D409470S

United States Patent [19] Barry

[11] Patent Number: **Des. 409,470**

[45] Date of Patent: **** May 11, 1999**

[54] **ELECTRIC CABLE INSULATION REMOVAL TOOL**

[75] Inventor: **William E. Barry**, Brookfield, Wis.

[73] Assignee: **Speed Systems, Inc.**, Brookfield, Wis.

[**] Term: **14 Years**

[21] Appl. No.: **29/071,190**

[22] Filed: **May 22, 1997**

[51] **LOC (6) Cl.** **08-05**

[52] **U.S. Cl.** **D8/98; D8/14**

[58] **Field of Search** **D8/14, 98, 99; 30/90.1, 90.4, 90.6-90.9, 91.1, 91.2; 81/9.4, 9.41, 9.44**

[56] **References Cited**

U.S. PATENT DOCUMENTS

D. 196,677	10/1963	Johnson	D8/98
D. 297,910	10/1988	Mathews	D8/98
4,179,804	12/1979	Maytham	30/90.7
4,271,729	6/1981	Perrino	30/90.1
4,392,398	7/1983	Hoffman	81/9.51
4,449,298	5/1984	Kersbach	30/90.1
4,656,893	4/1987	Hudson	81/9.51
4,665,616	5/1987	Orecchio	30/90.4
4,979,299	12/1990	Bieganski	30/90.1

5,009,005	4/1991	Bieganski	30/90.6
5,050,302	9/1991	Mills	30/90.8
5,093,992	3/1992	Temple	30/90.8
5,265,339	11/1993	Nilsson	30/91.1
5,377,410	1/1995	Welch	30/90.1
5,381,601	1/1995	Danter et al.	30/90.1
5,471,744	12/1995	Simmering	30/90.6
5,581,885	12/1996	Dalton	30/90.1

Primary Examiner—Philip S. Hyder
Assistant Examiner—Richelle Shelton
Attorney, Agent, or Firm—Robert T. Johnson

[57] **CLAIM**

I claim the ornamental design for an electric cable insulation removal tool, as shown and described.

DESCRIPTION

FIG. 1 perspective view of a new and ornamental design for electric cable insulation removal tool, showing my new design.

FIG. 2 top plan view thereof and;

FIG. 3 is a bottom plan view thereof;

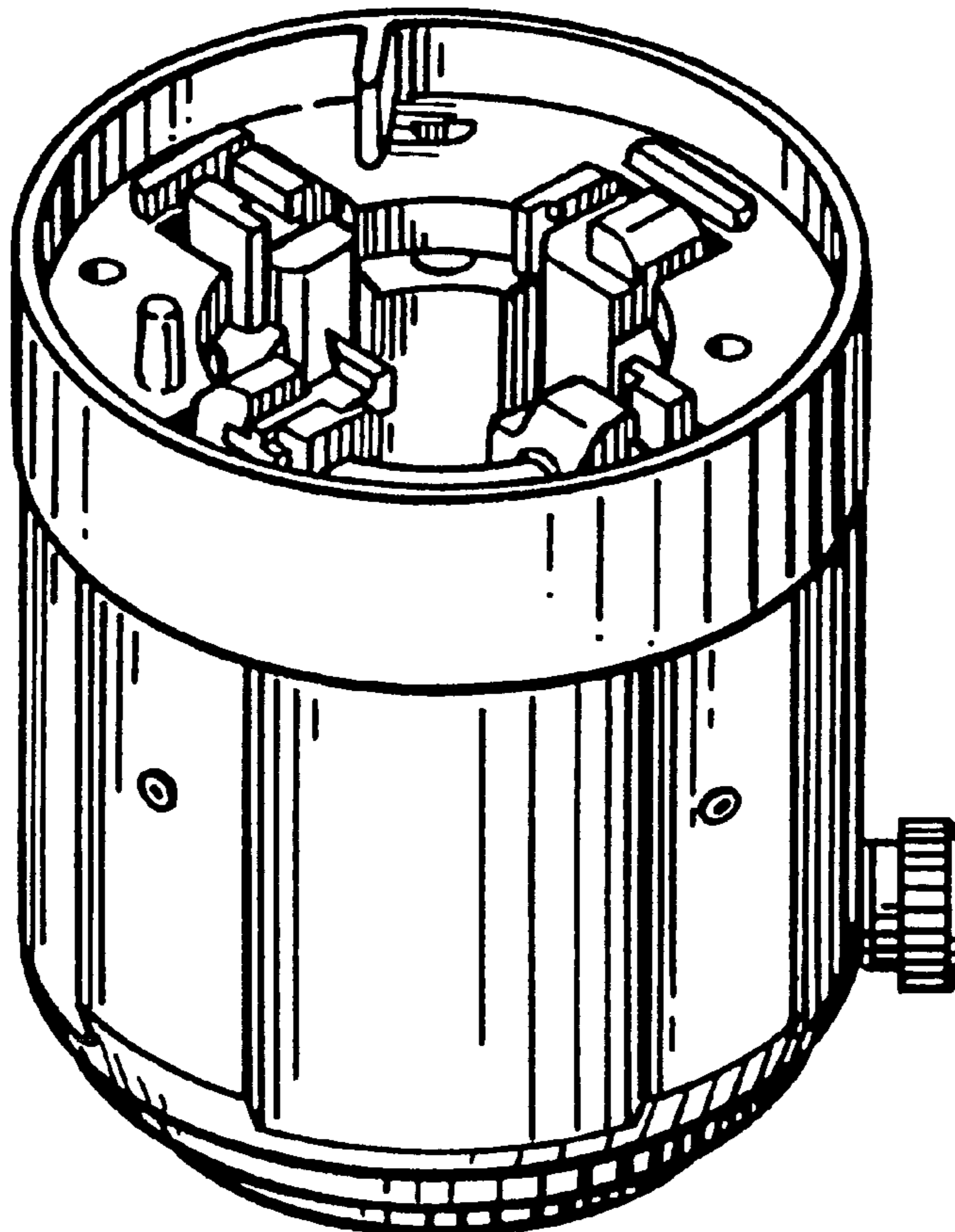
FIG. 4 is a front side elevational view thereof;

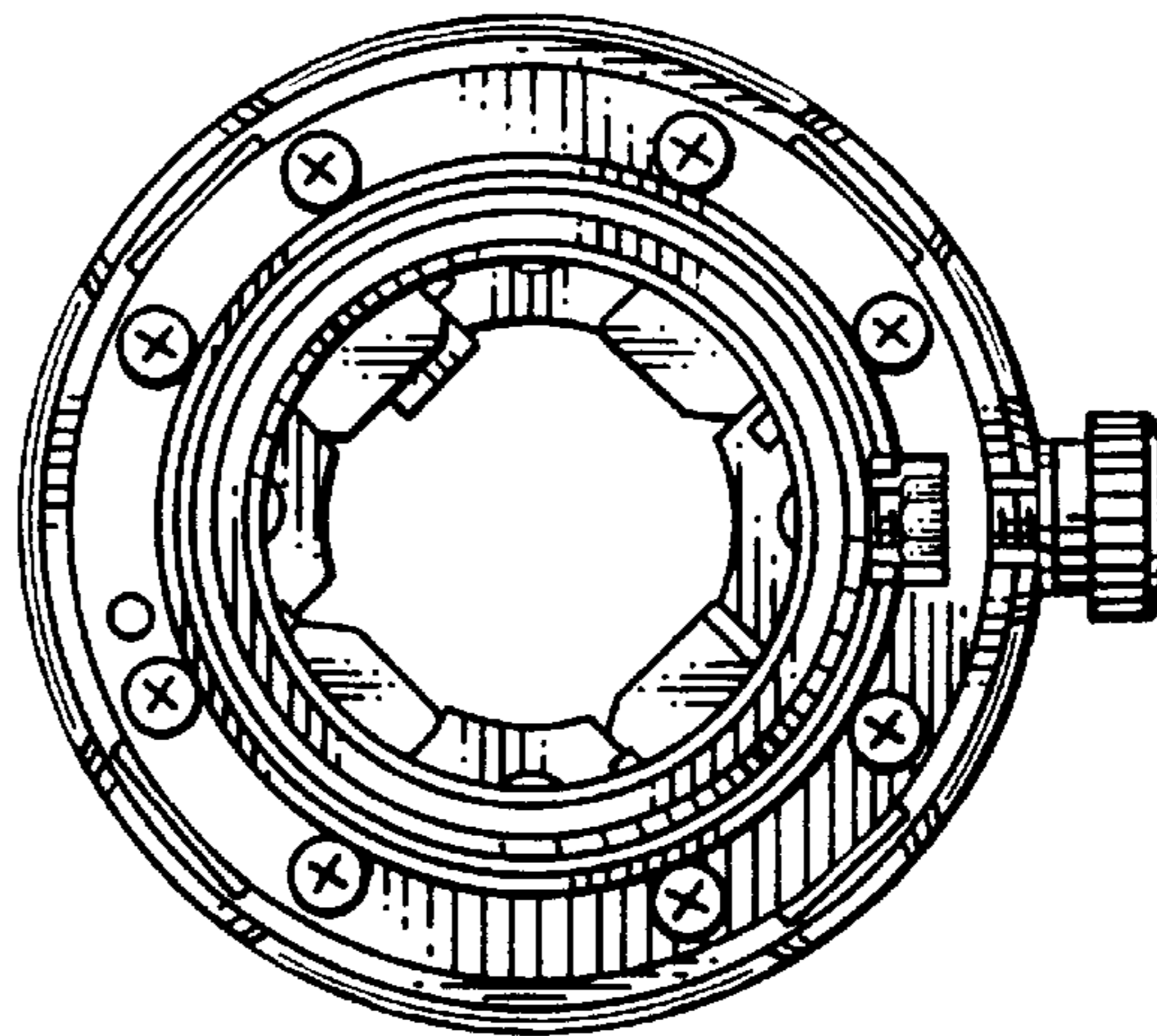
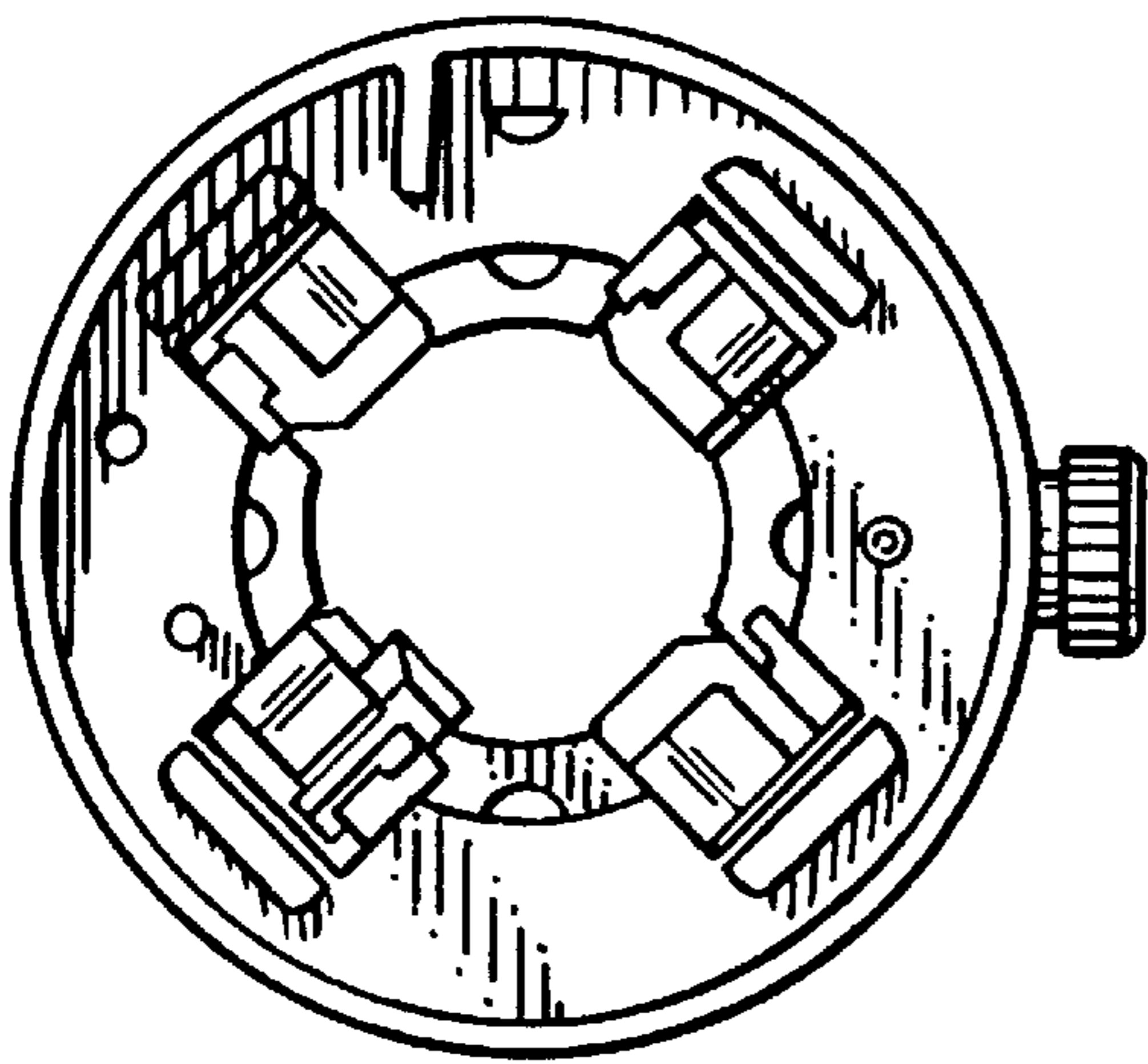
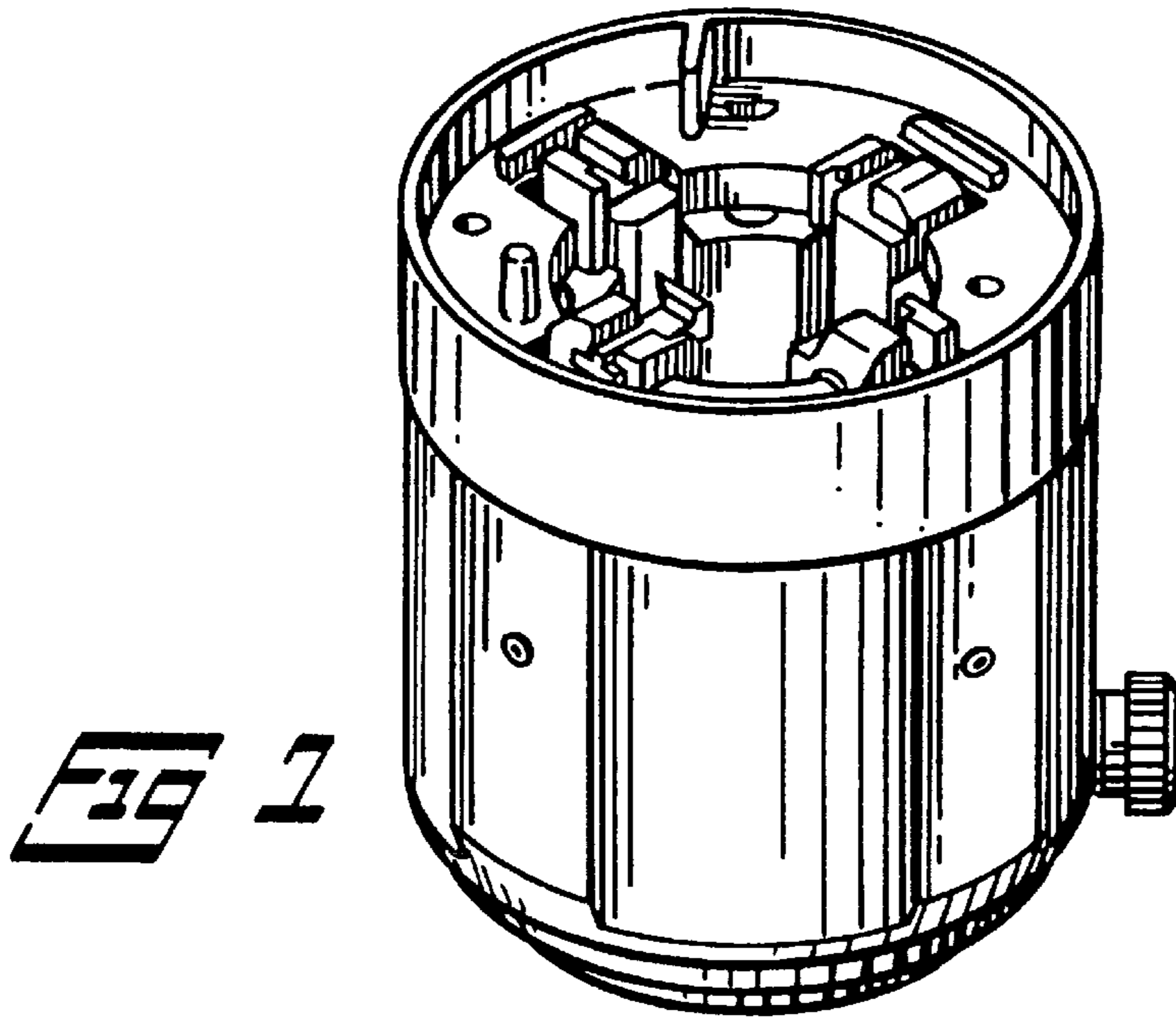
FIG. 5 is a right side elevational view thereof;

FIG. 6 is a rear side elevational view thereof; and,

FIG. 7 is a left side elevational view of the ornamental design for electric cable insulation removal tool.

1 Claim, 2 Drawing Sheets





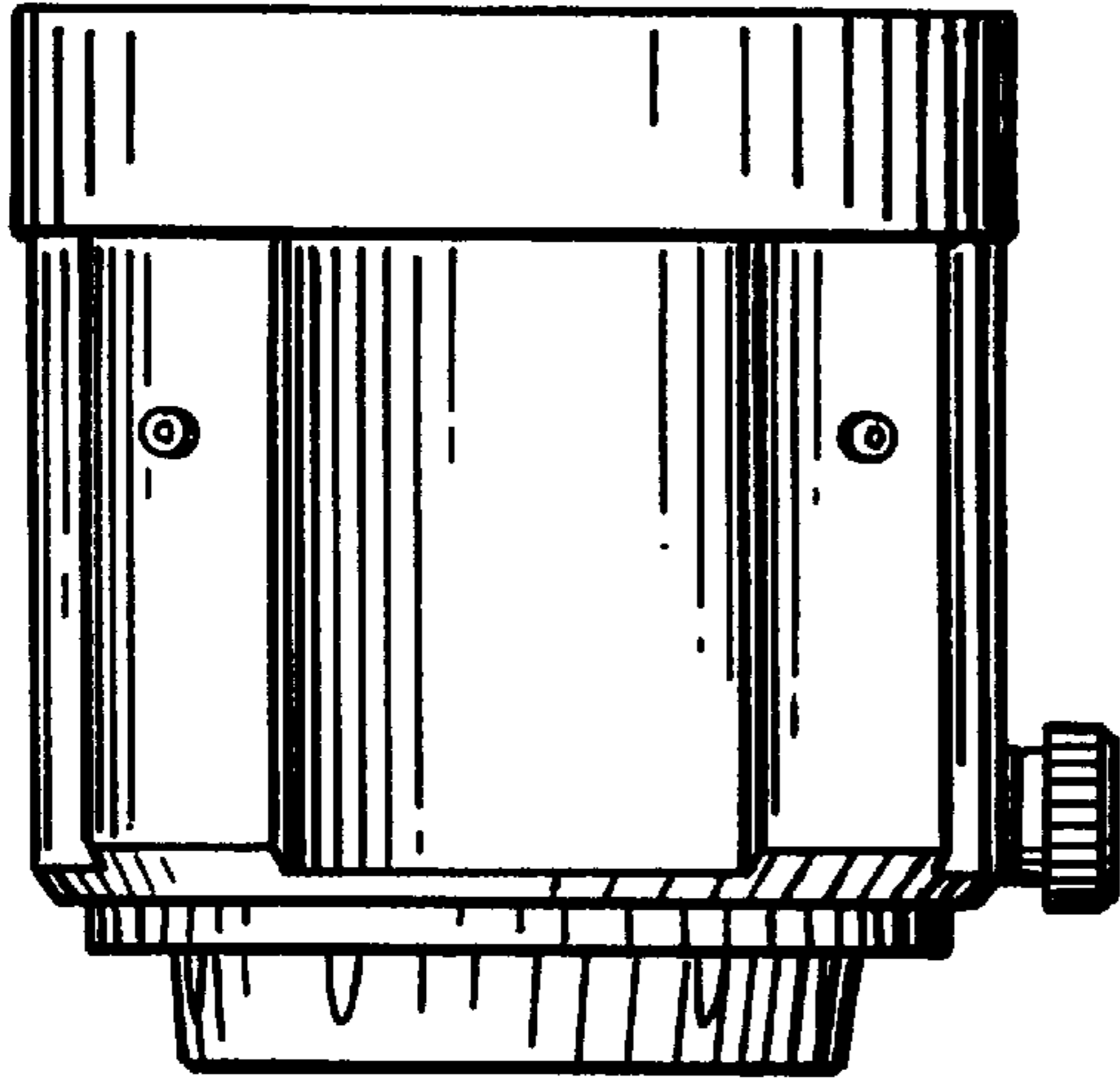


FIG 4

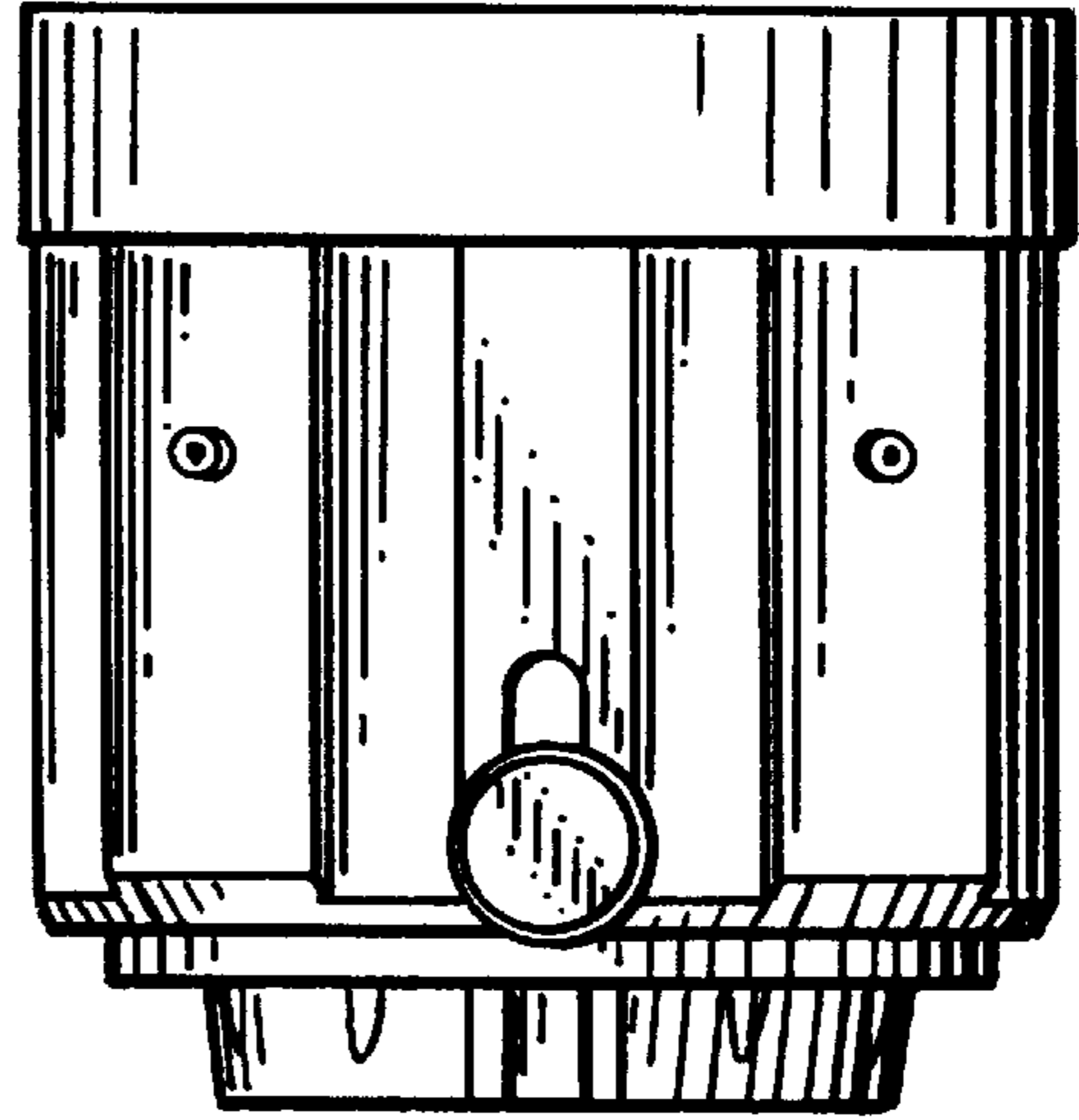


FIG 5

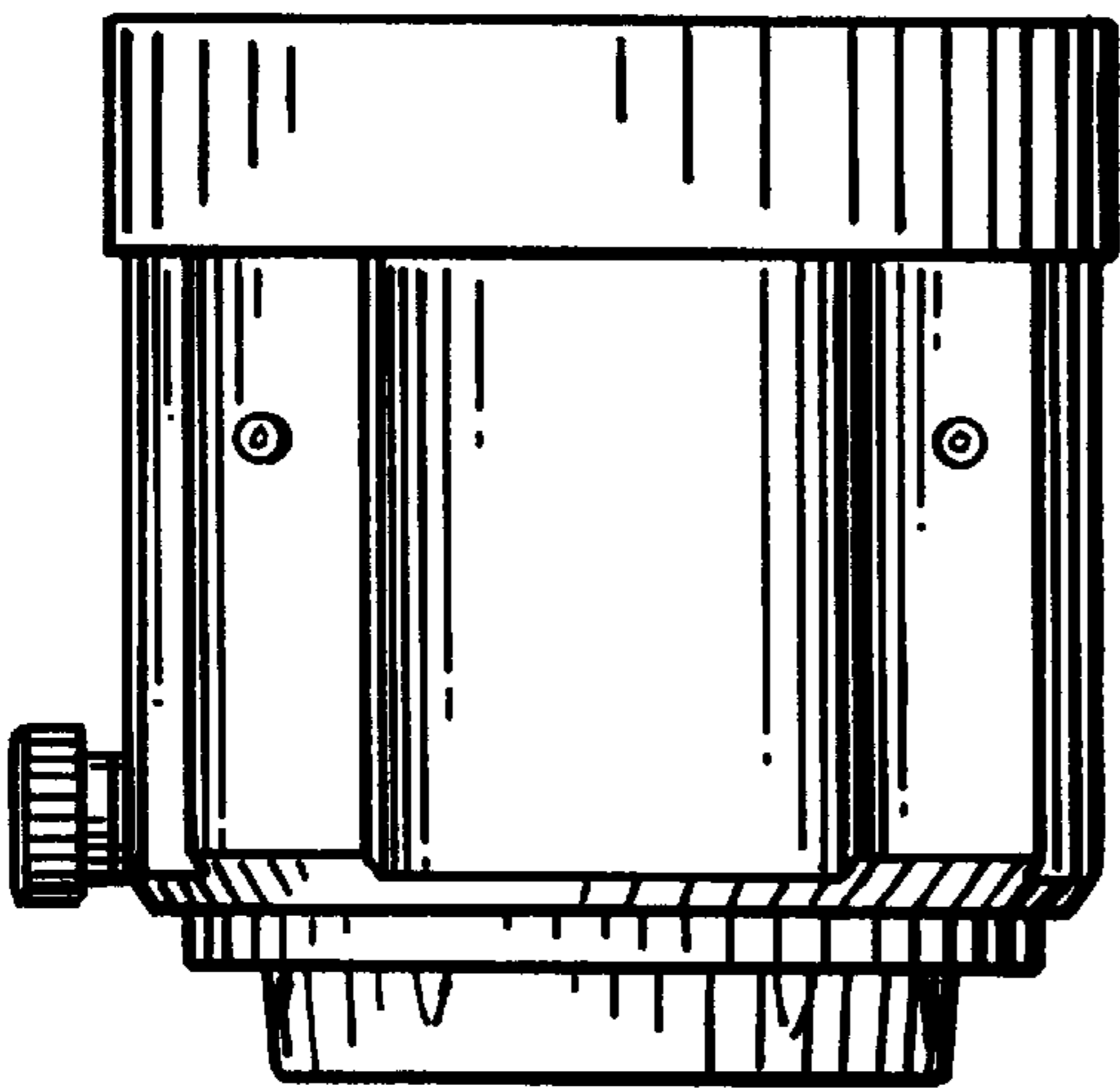


FIG 6

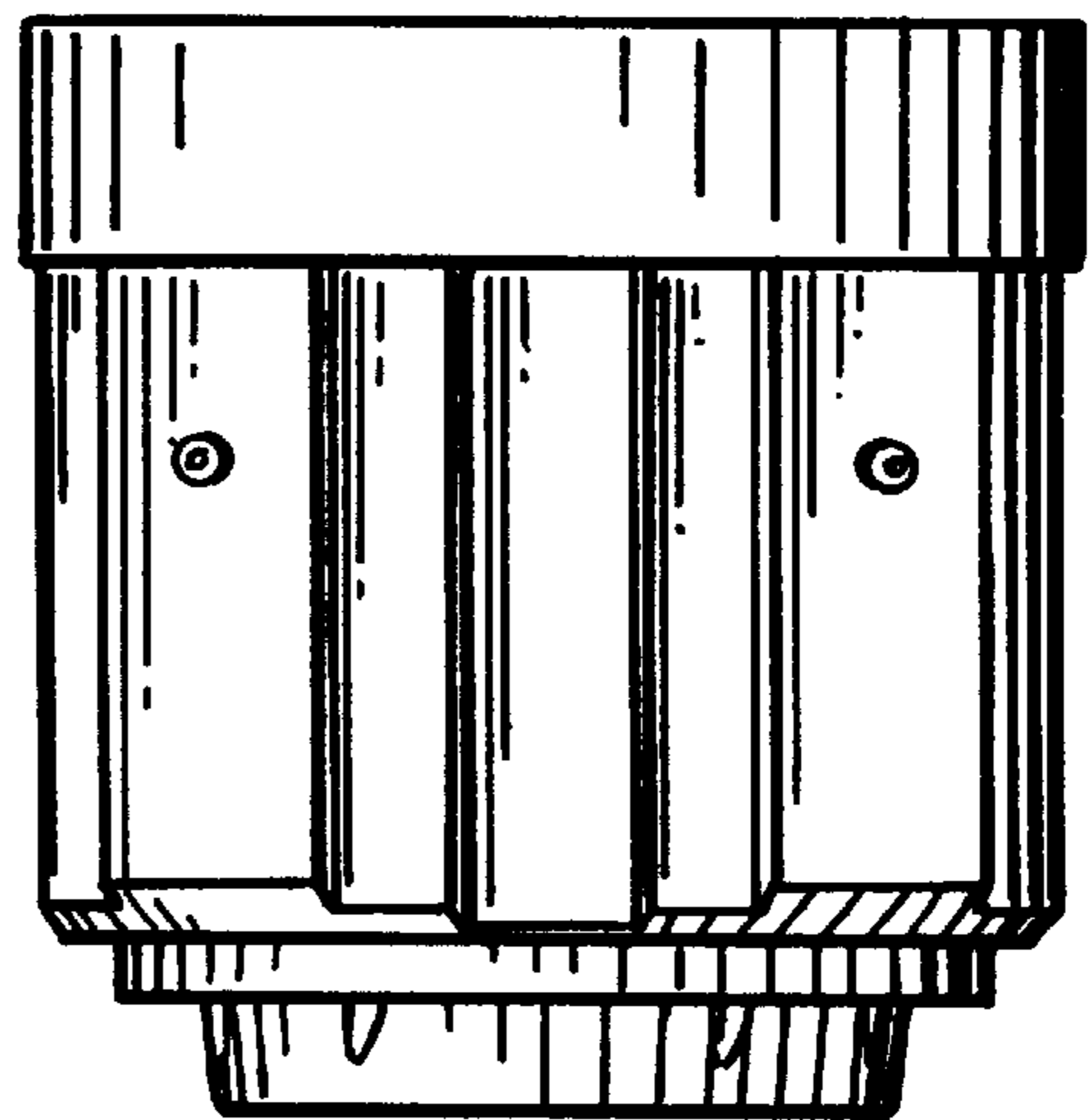


FIG 7

UNITED STATES PATENT AND TRADEMARK OFFICE
CERTIFICATE OF CORRECTION

PATENT NO. : Des. 409,470
DATED : May 11, 1999
INVENTOR(S) : Barry

It is certified that error appears in the above-identified patent and that said Letters Patent is hereby corrected as shown below:

Item [75] Inventor, insert the following: -- Robert A. Bilbrey, Orinda, Ca. --

Signed and Sealed this
Fifth Day of October, 1999

Attest:



Q. TODD DICKINSON

Attesting Officer

Acting Commissioner of Patents and Trademarks