



US00D409467S

**United States Patent** [19]  
**Chung**

[11] **Patent Number: Des. 409,467**

[45] **Date of Patent: \*\* May 11, 1999**

[54] **ELECTRIC DRILL**

D. 396,177 7/1998 Schultz ..... D8/68

[76] Inventor: **Lee Hsin-Chih Chung**, No. 21-8,  
Shang San Cho Woo, WuChang-Li,  
ChungLi City, TaoYuan Hsien, Taiwan

*Primary Examiner*—Antoine Duval Davis

[\*\*] Term: **14 Years**

[57] **CLAIM**

The ornamental design for electric drill, as shown and described.

[21] Appl. No.: **29/087,239**

**DESCRIPTION**

[22] Filed: **Apr. 29, 1998**

FIG. 1 is a perspective view of electric drill showing my new design;

[51] **LOC (6) Cl.** ..... **08-02**

FIG. 2 is a front elevation view thereof;

[52] **U.S. Cl.** ..... **D8/68**

FIG. 3 is a rear elevation view thereof;

[58] **Field of Search** ..... D8/68, 61; 74/371;  
81/57.11, 57.13, 57.14, 57.43, 177.6, 436,  
438; 178/178, 217

FIG. 4 is a left elevation view thereof;

FIG. 5 is a right elevation view thereof;

FIG. 6 is a top elevation view thereof;

FIG. 7 is a bottom elevation view thereof; and,

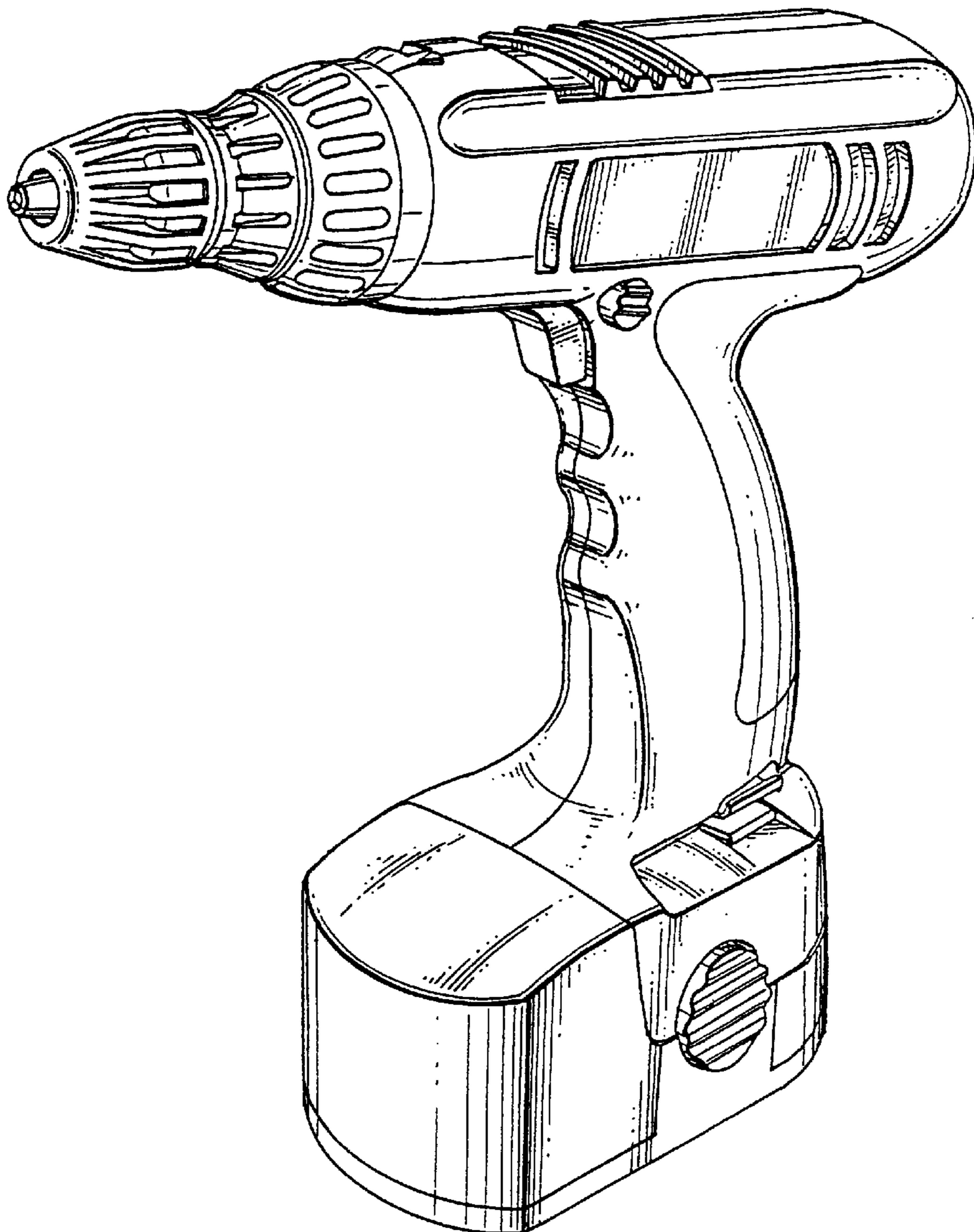
FIG. 8 is a perspective view of electric drill thereof.

[56] **References Cited**

**U.S. PATENT DOCUMENTS**

D. 382,457 8/1997 Ghode et al. .... D8/68

**1 Claim, 5 Drawing Sheets**



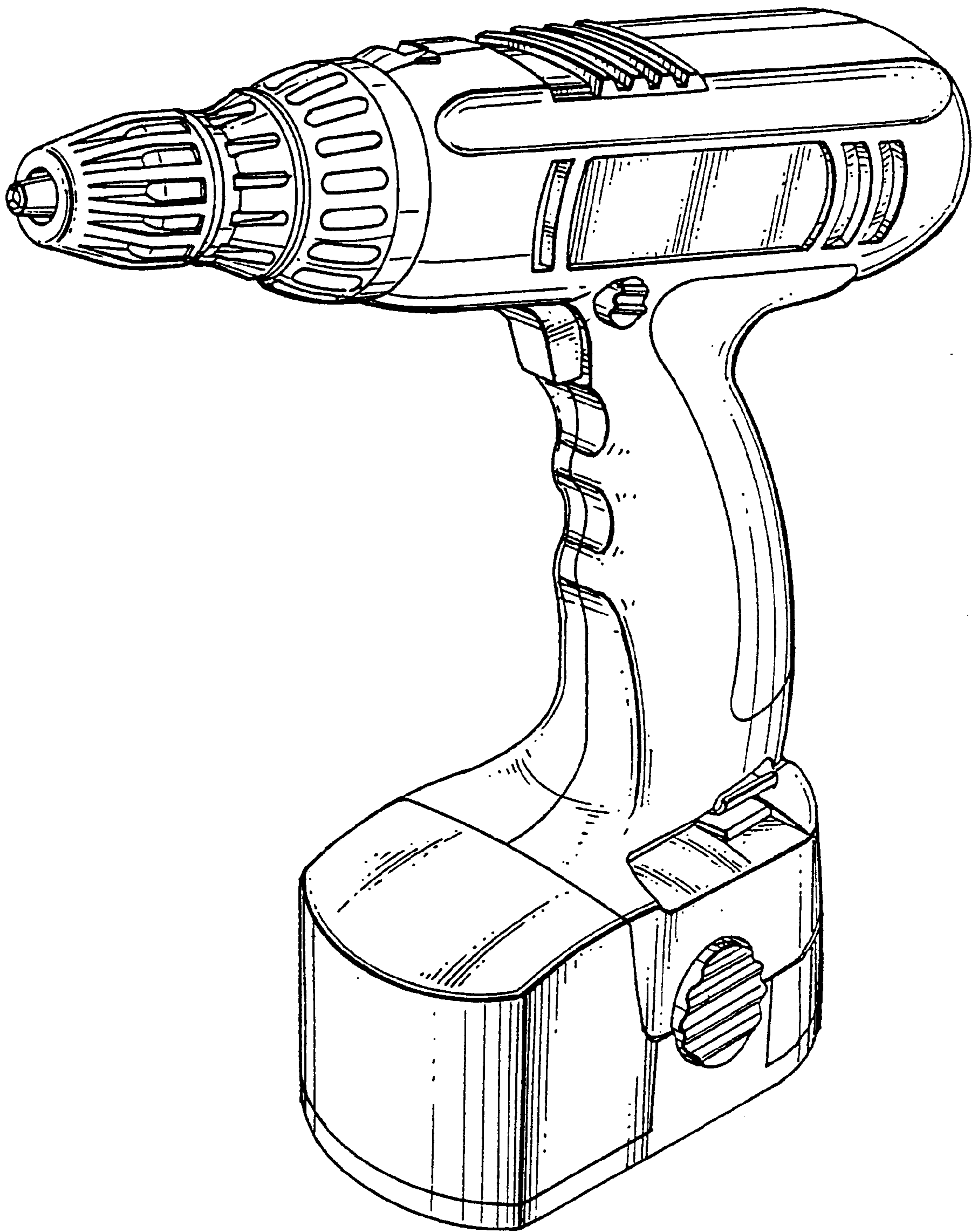


Fig. 1

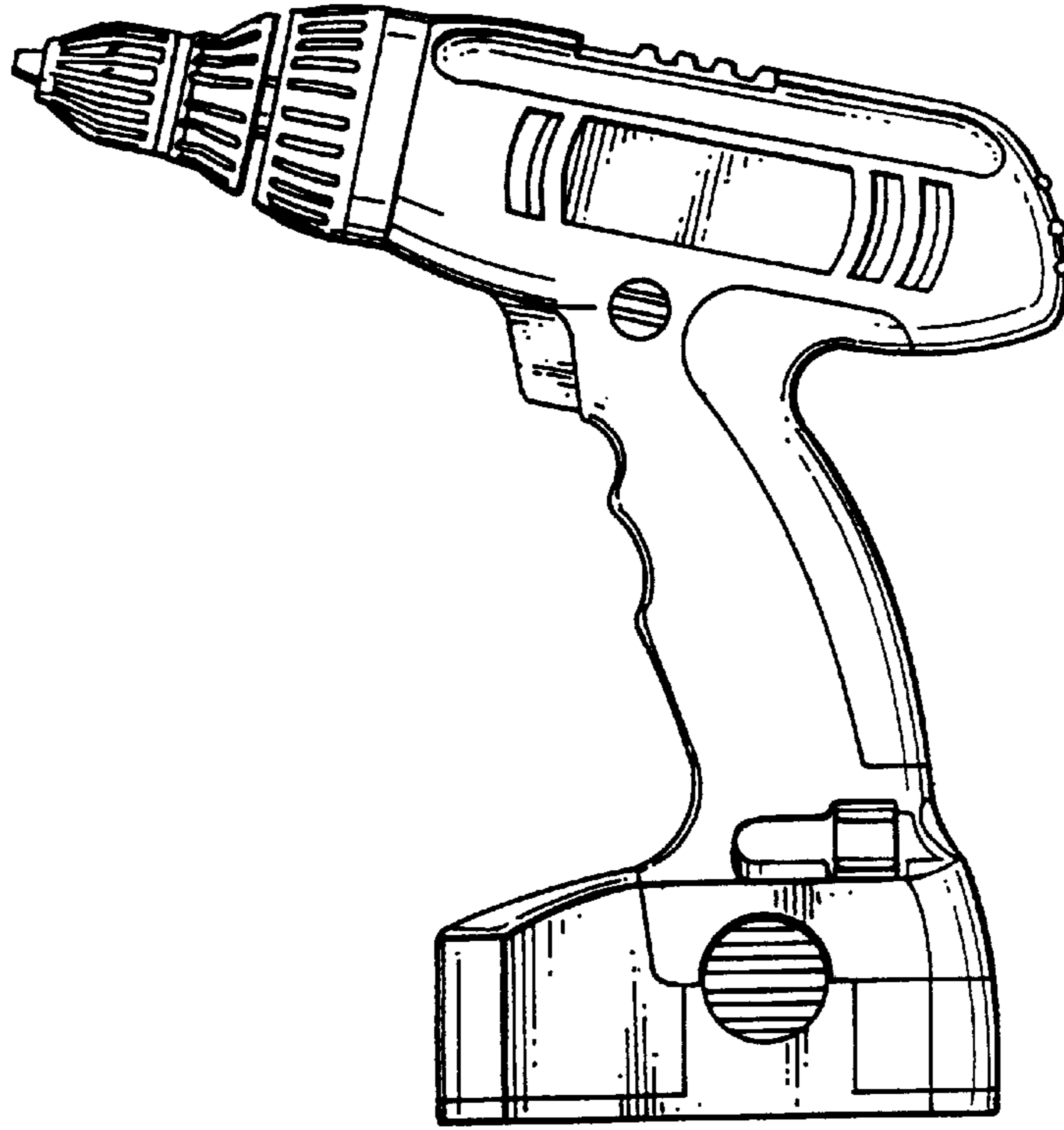


Fig. 2

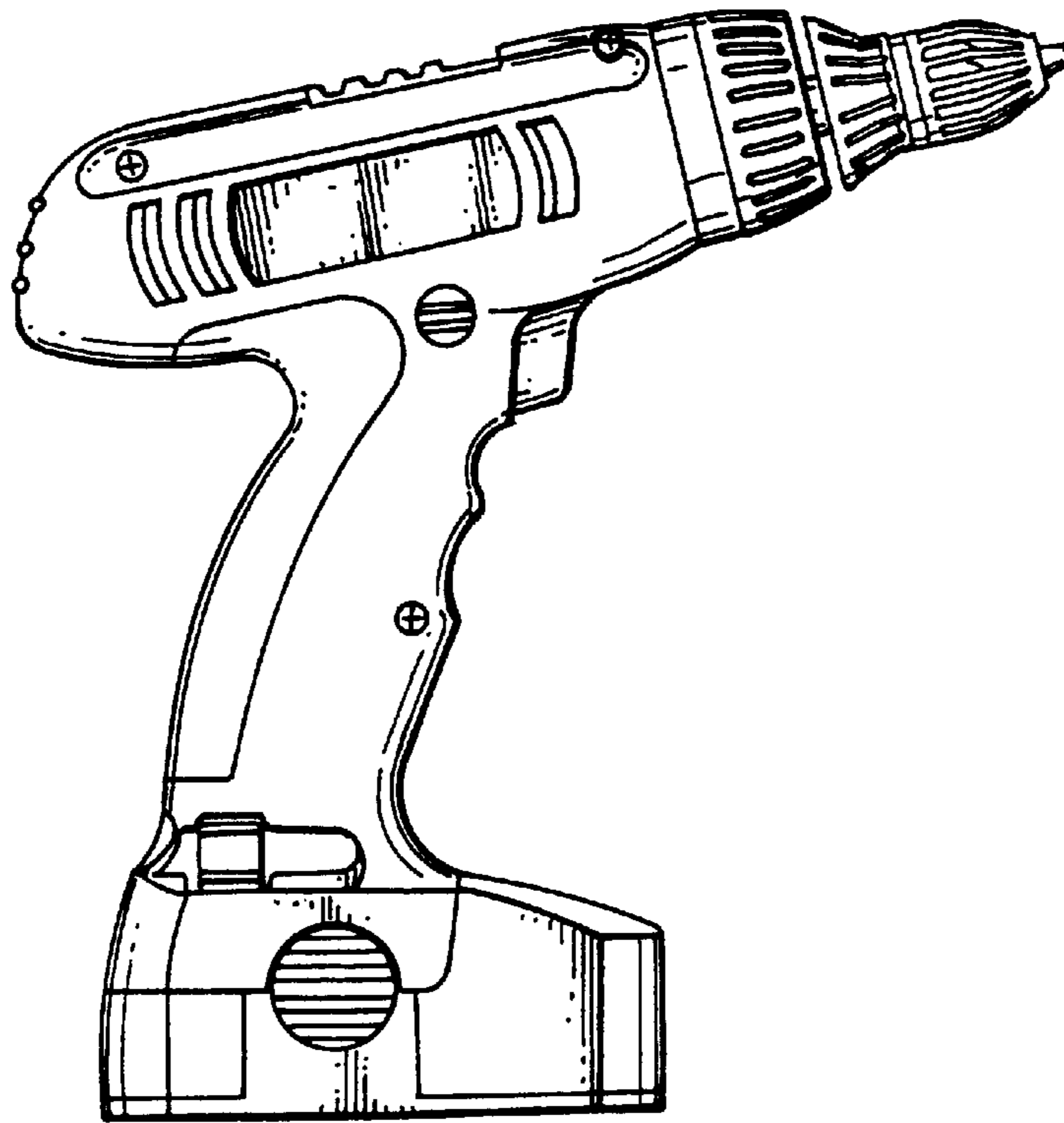


Fig. 3

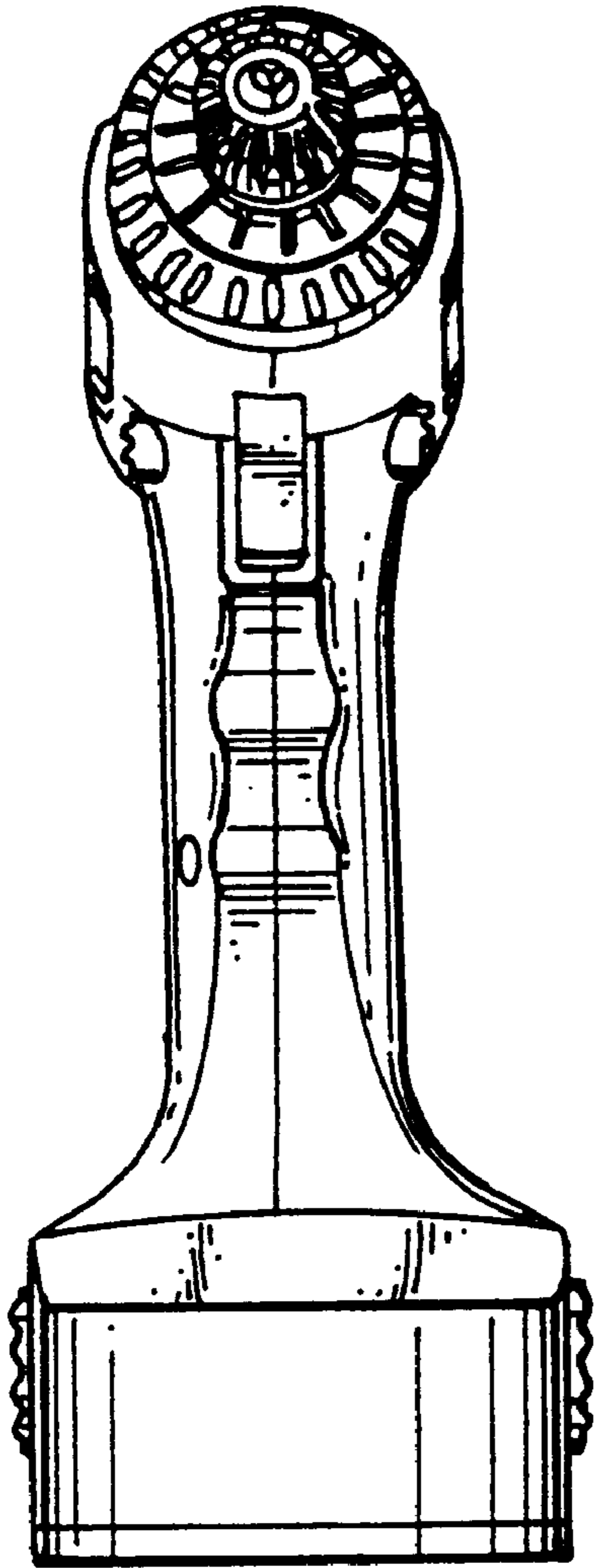


Fig. 4

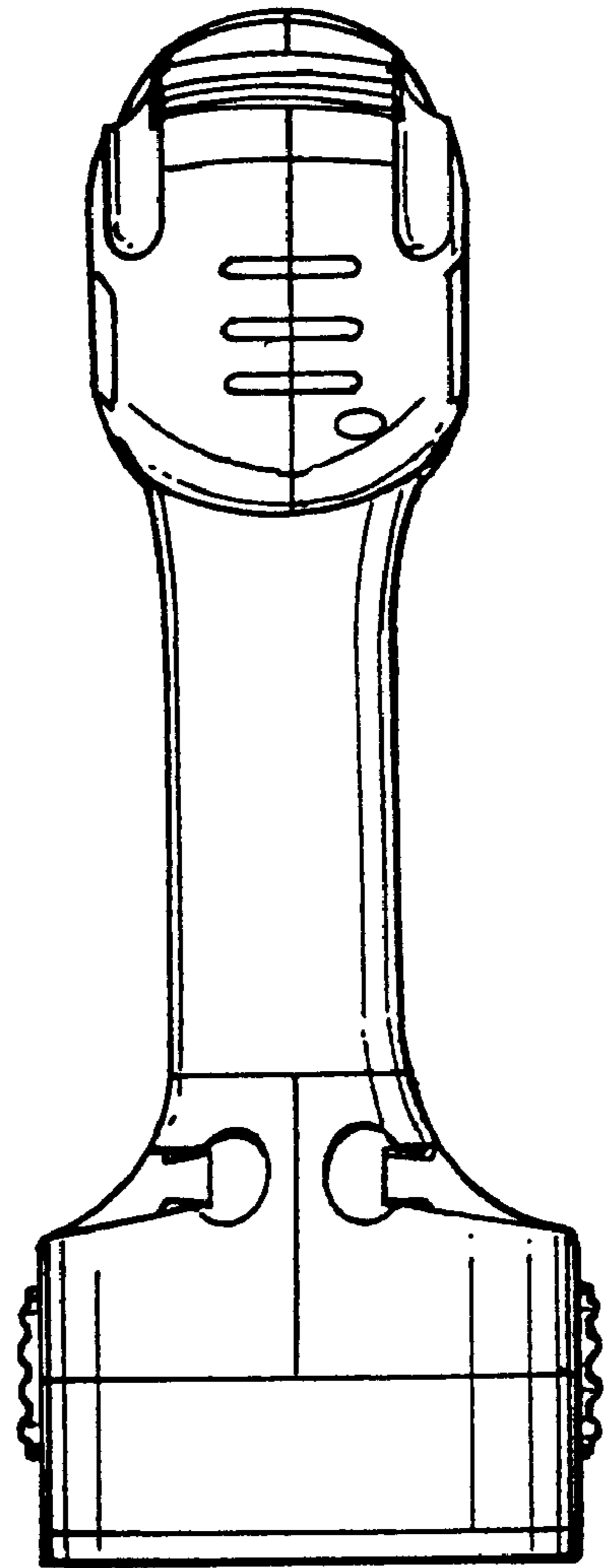


Fig. 5

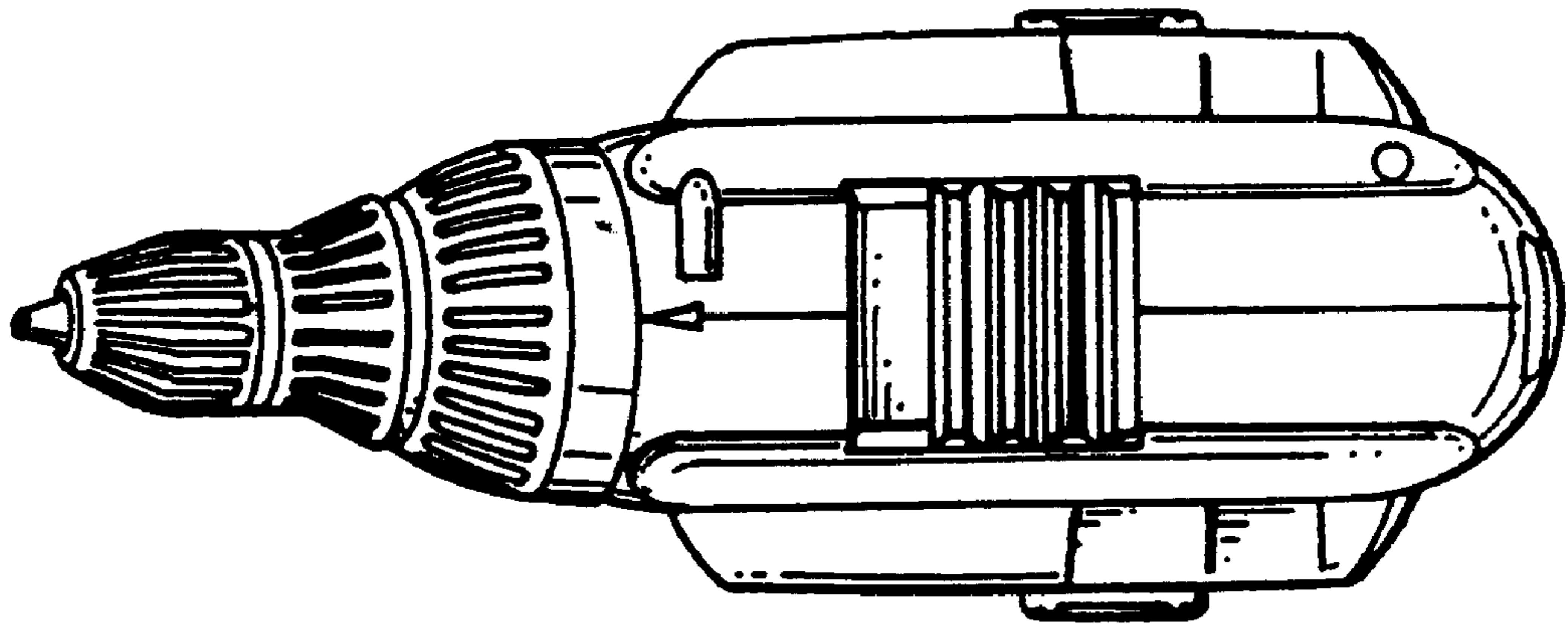


Fig. 6

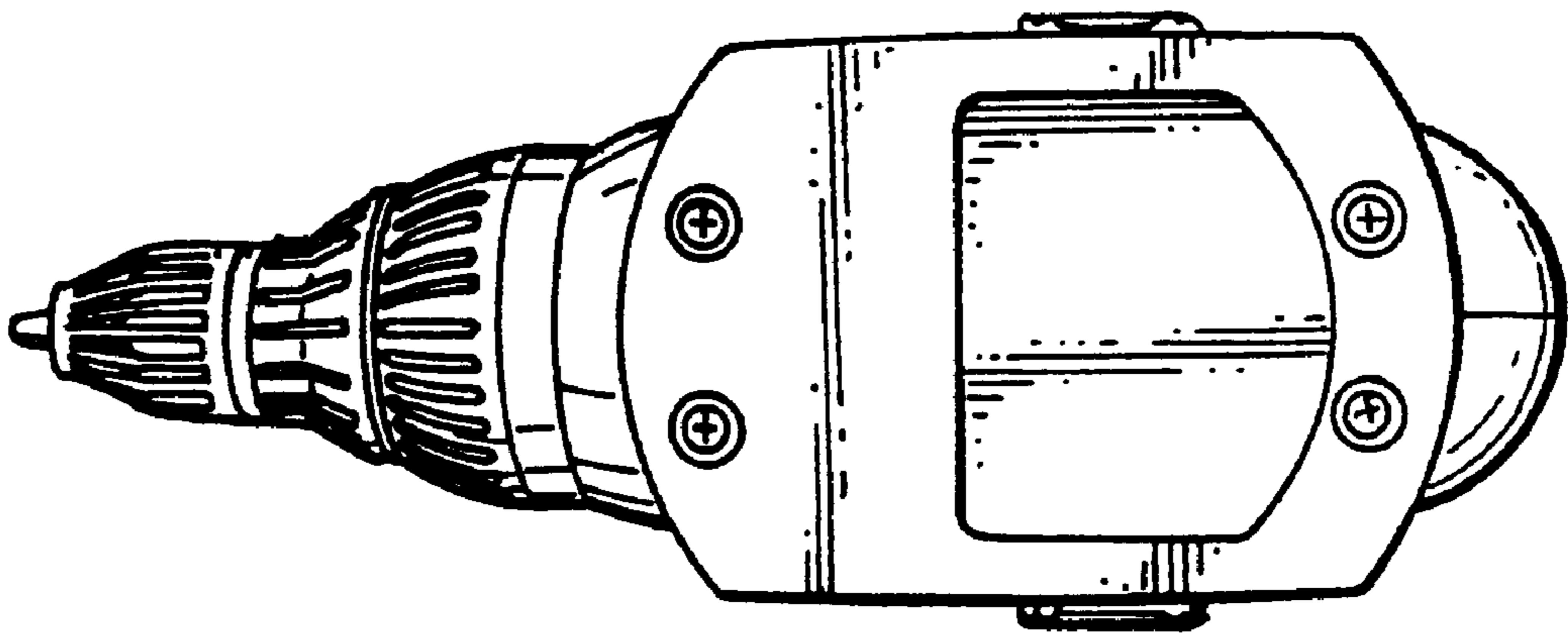


Fig. 7

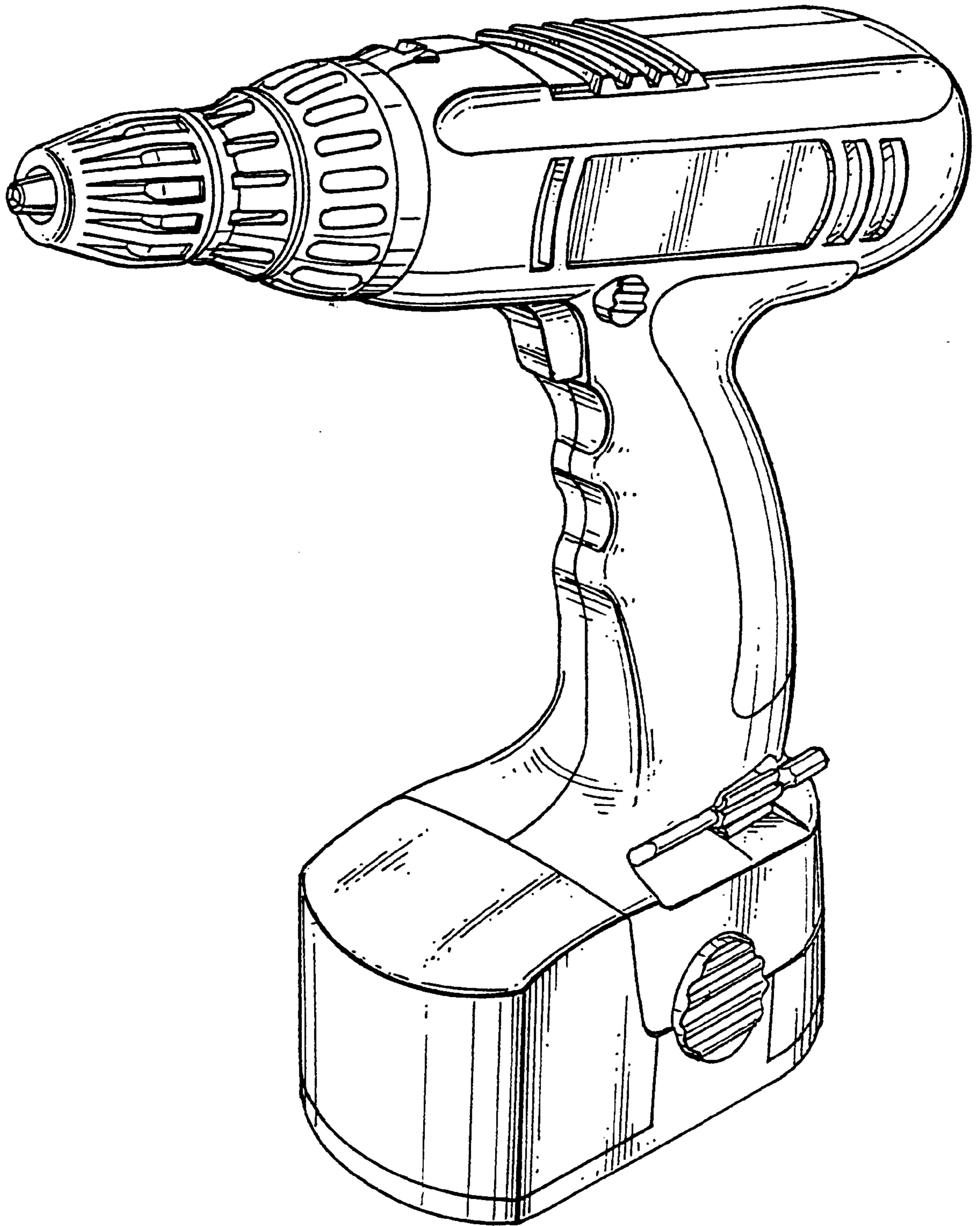


Fig. 8