



US00D409463S

United States Patent [19]
McMullin

[11] **Patent Number: Des. 409,463**

[45] **Date of Patent: ** May 11, 1999**

[54] **GOLF CLEAT WRENCH**

[75] Inventor: **Faris W. McMullin**, Boise, Id.

[73] Assignee: **Softspikes, Inc.**, Gaithersburg, Md.

[**] Term: **14 Years**

[21] Appl. No.: **29/088,986**

[22] Filed: **Jun. 4, 1998**

[51] **LOC (6) Cl.** **08-05**

[52] **U.S. Cl.** **D8/25; D8/21; D8/27**

[58] **Field of Search** **D8/21, 25, 27,**
D8/29; 81/60-63.3, 176.15, 177, 176.1-176.2;
D21/789, 793

[56] **References Cited**

U.S. PATENT DOCUMENTS

D. 343,558	1/1994	Latraverse et al.	D8/21
D. 368,213	3/1996	Marks	D8/61
D. 392,526	3/1998	Nicey	D8/25
D. 393,787	4/1998	Savoie	D8/21
4,488,460	12/1984	Ballone	81/60

OTHER PUBLICATIONS

Edwin Watts Golf Shops—catalog—Summer 1996—p. 51—Racet Spike Wrench. At right center.

Primary Examiner—Nelson C. Holtje

Attorney, Agent, or Firm—Fish & Neave; Jeffrey H. Ingerman

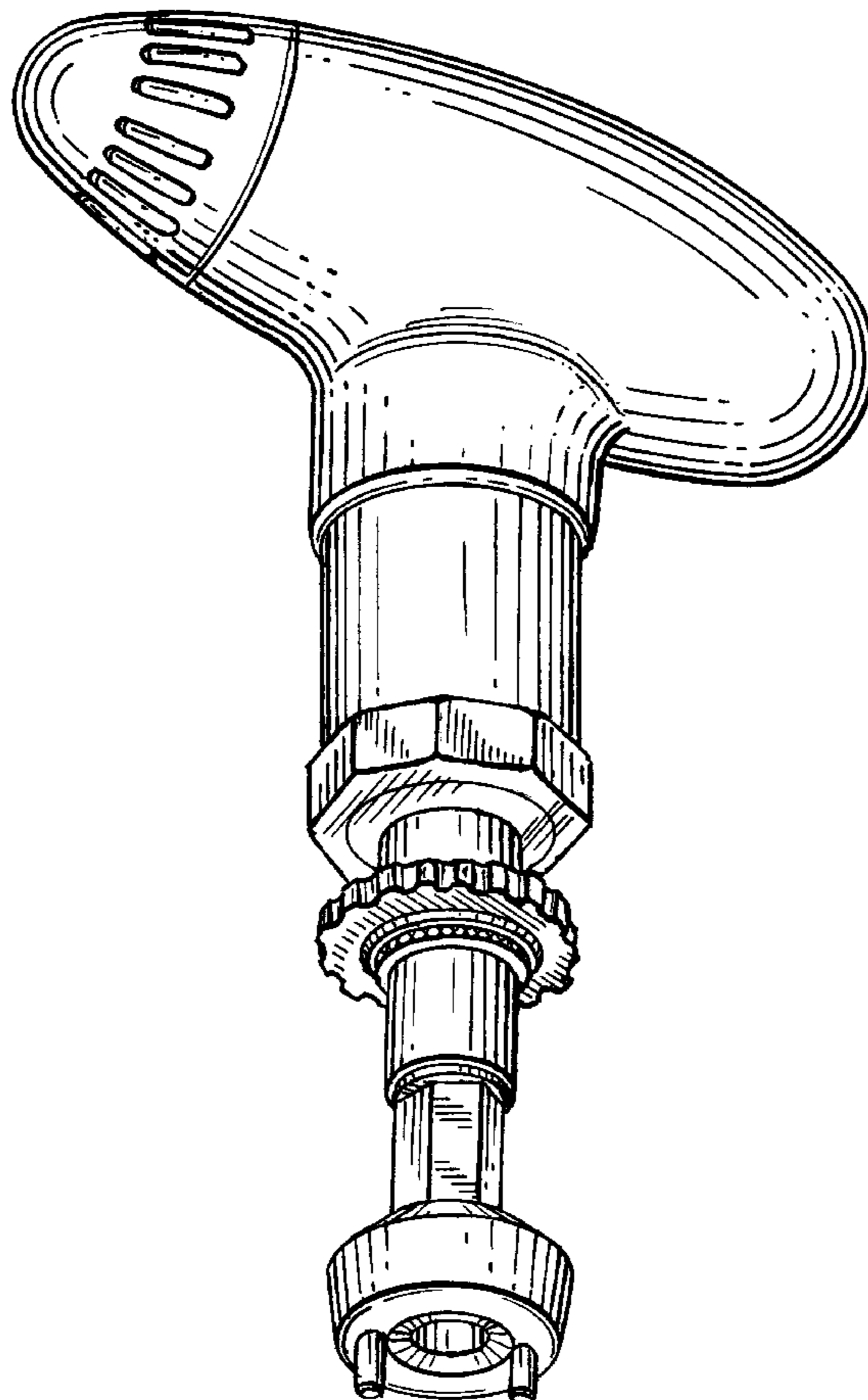
[57] **CLAIM**

The ornamental design for a golf cleat wrench, as shown and described.

DESCRIPTION

FIG. 1 is a front, right side perspective view of a first embodiment of a golf cleat wrench showing my new design; FIG. 2 is a rear elevational view thereof; FIG. 3 is a left side elevational view thereof; FIG. 4 is a bottom plan view thereof; FIG. 5 is a top plan view thereof; FIG. 6 is a front elevational view thereof; FIG. 7 is a front, right side perspective view of a second embodiment of a golf cleat wrench showing my new design; FIG. 8 is a rear elevational view thereof; FIG. 9 is a left side elevational view thereof; FIG. 10 is a bottom plan view thereof; FIG. 11 is a top plan view thereof; and, FIG. 12 is a front elevational view thereof.

1 Claim, 6 Drawing Sheets



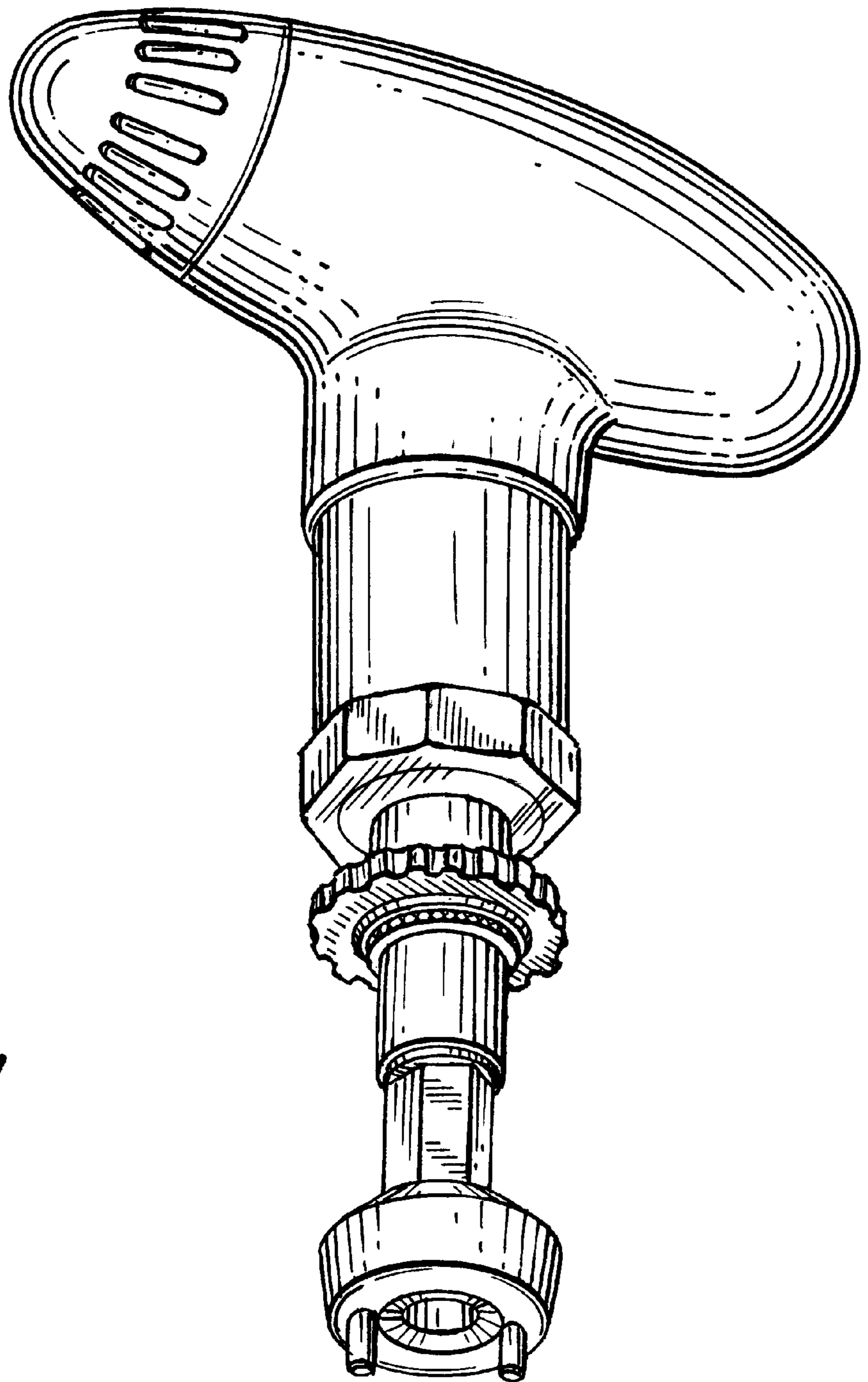


FIG. 1

FIG. 2

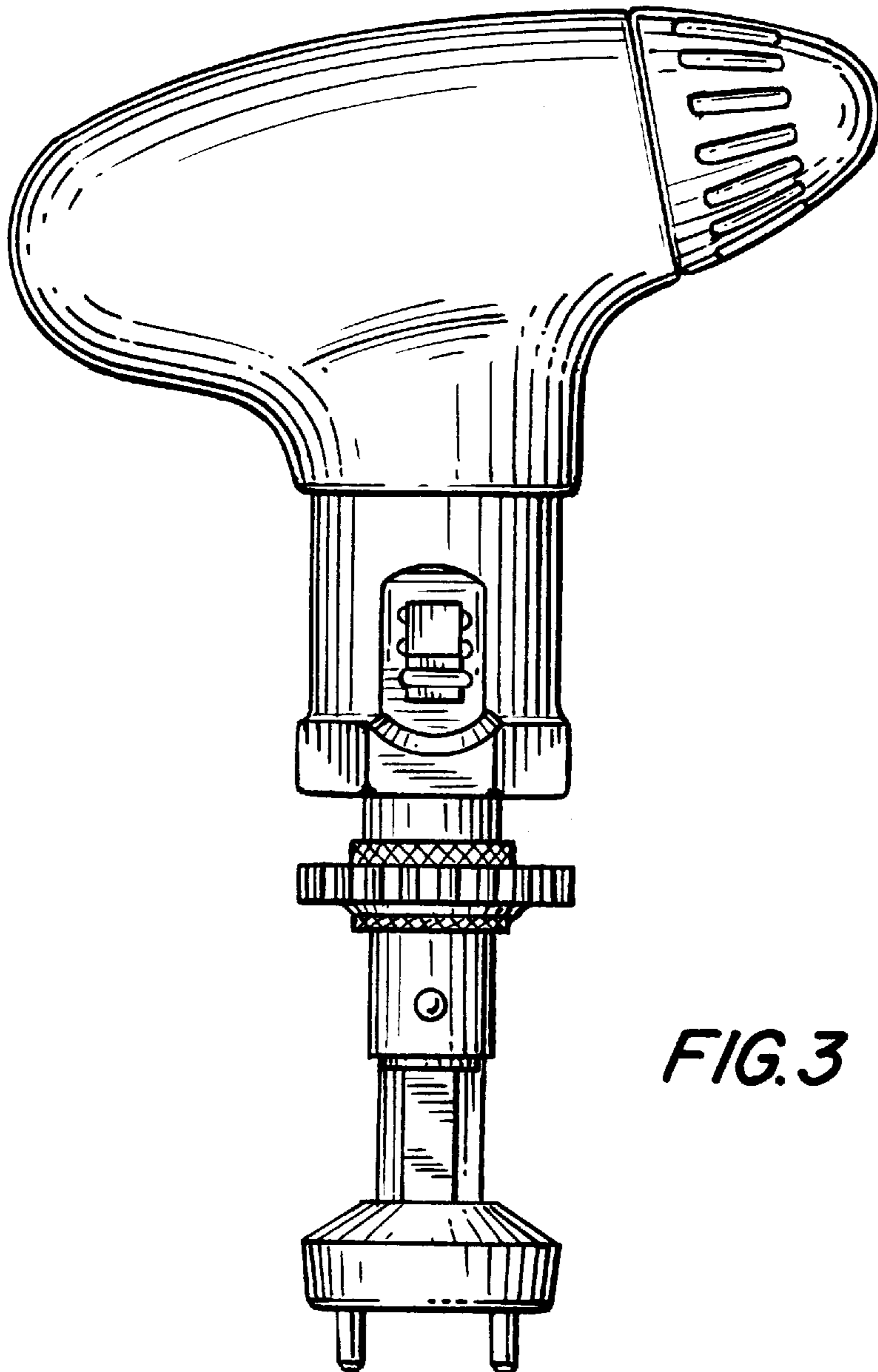
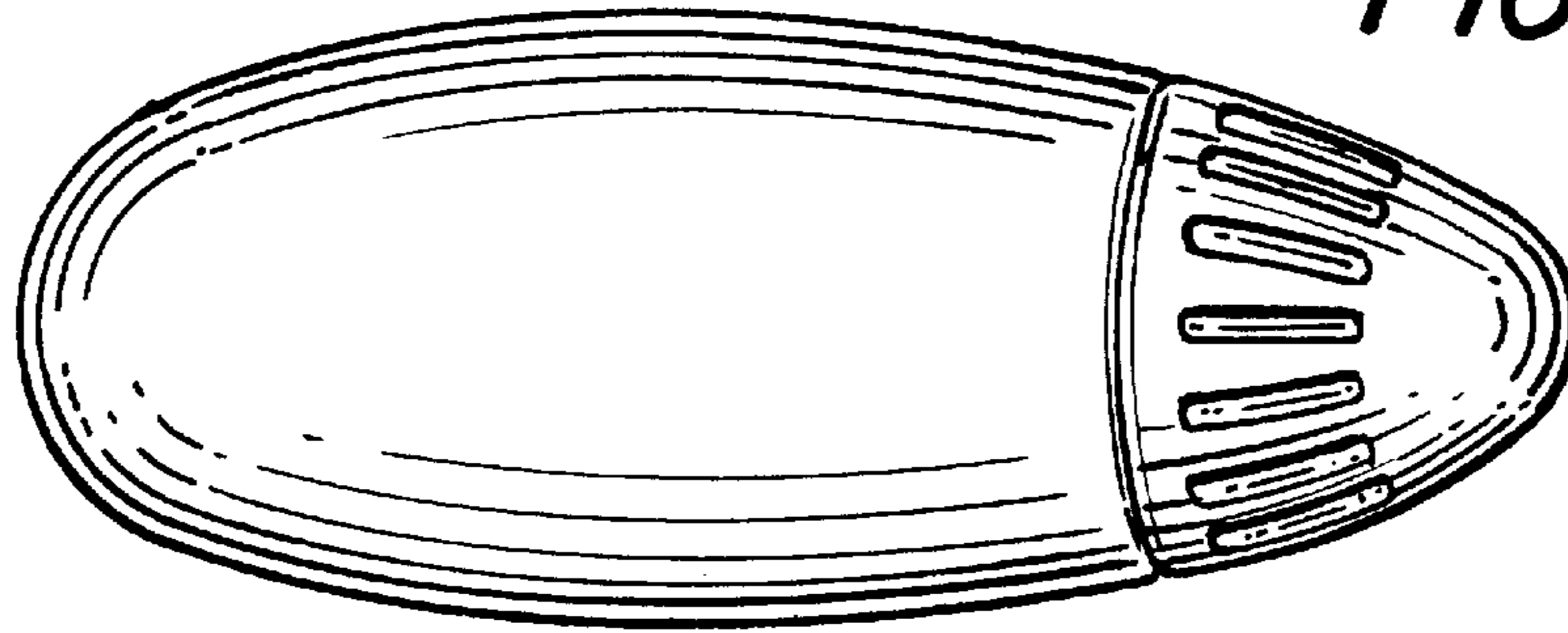


FIG. 3

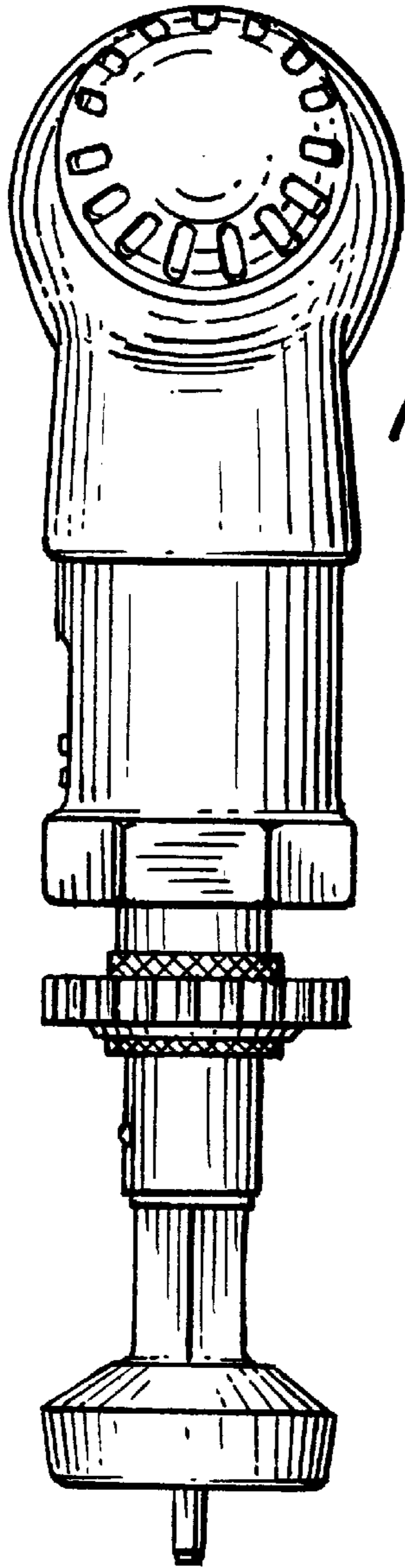


FIG. 4

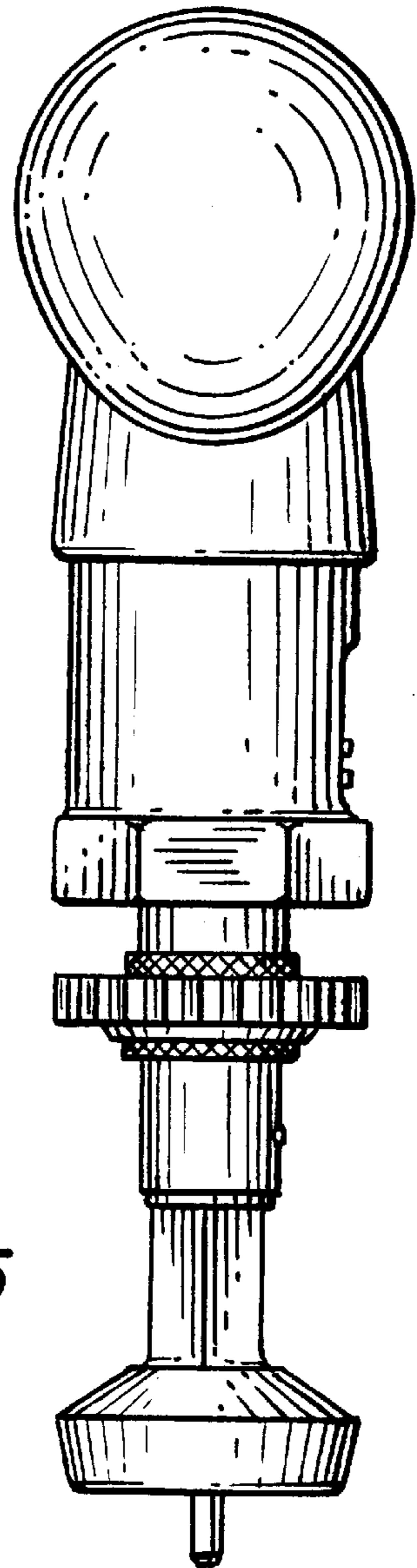


FIG. 5

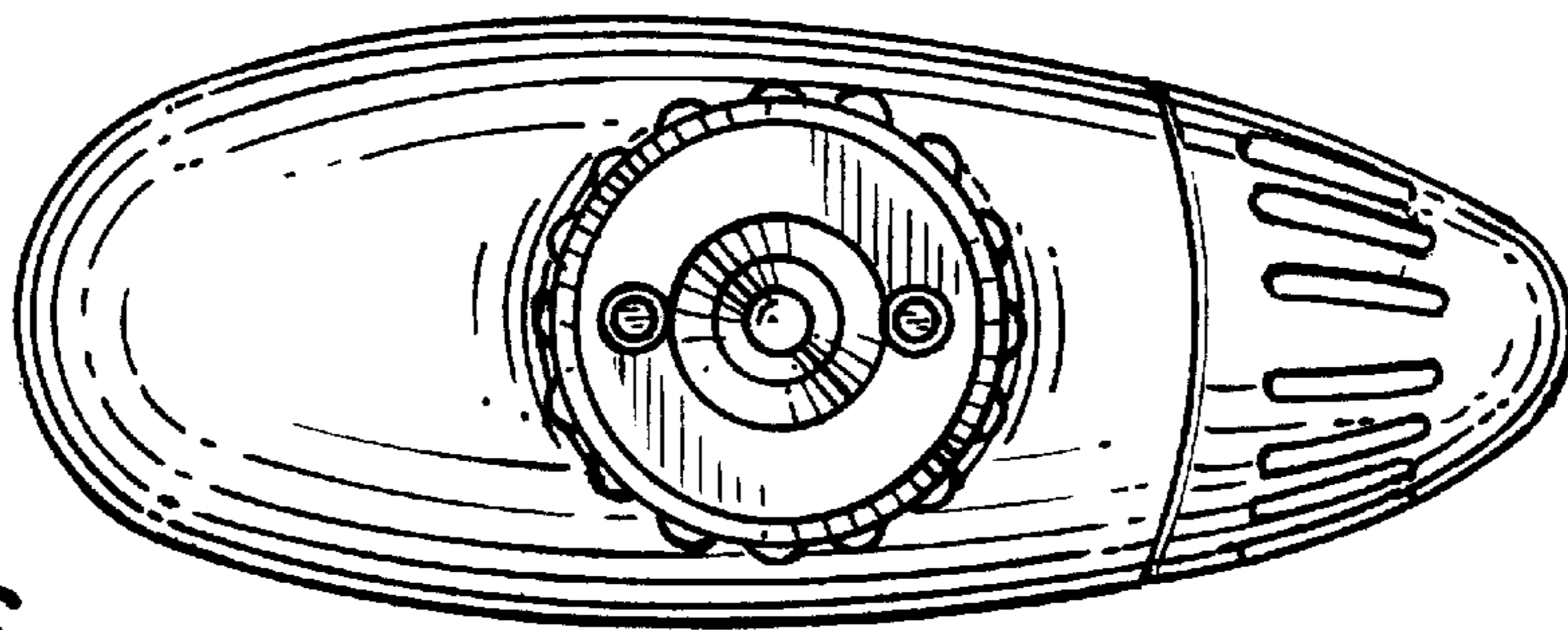


FIG. 6

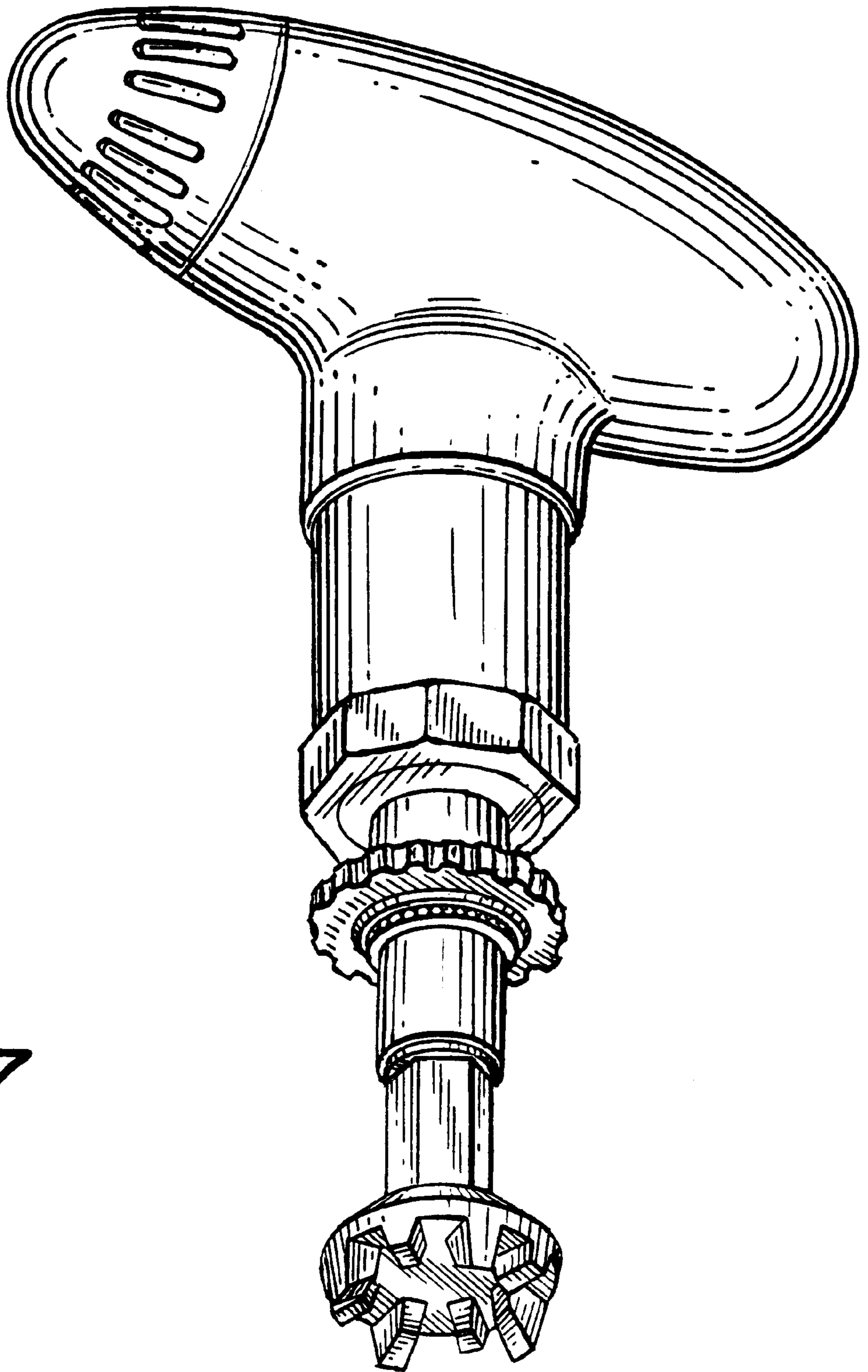


FIG. 7

FIG. 8

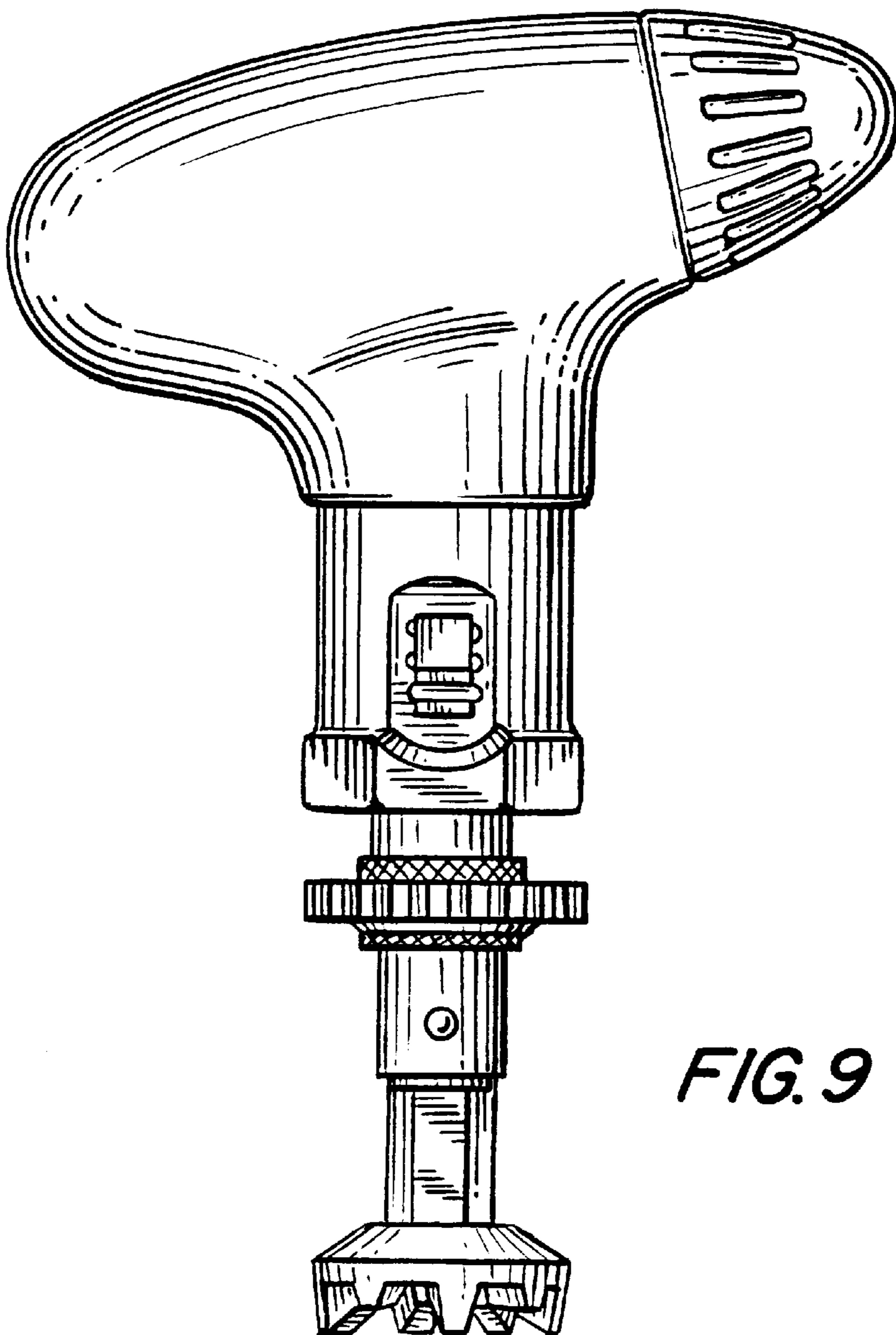
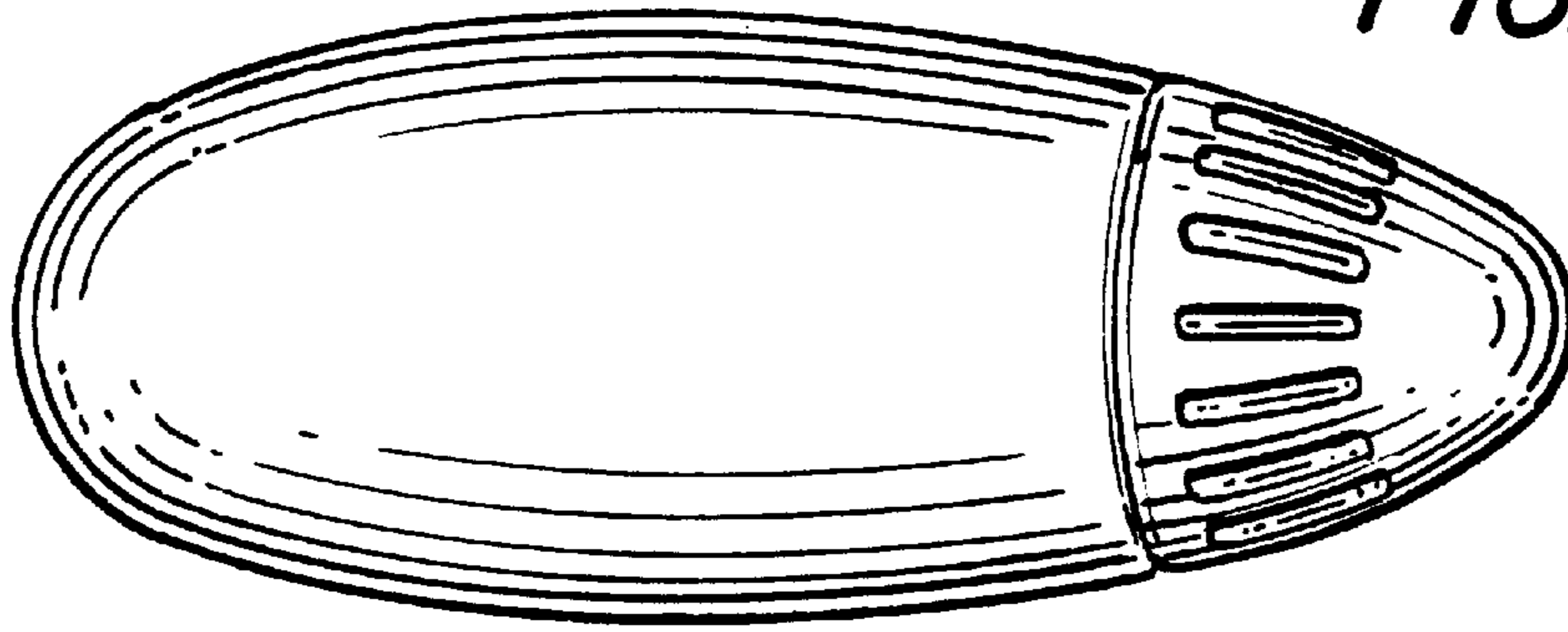


FIG. 9

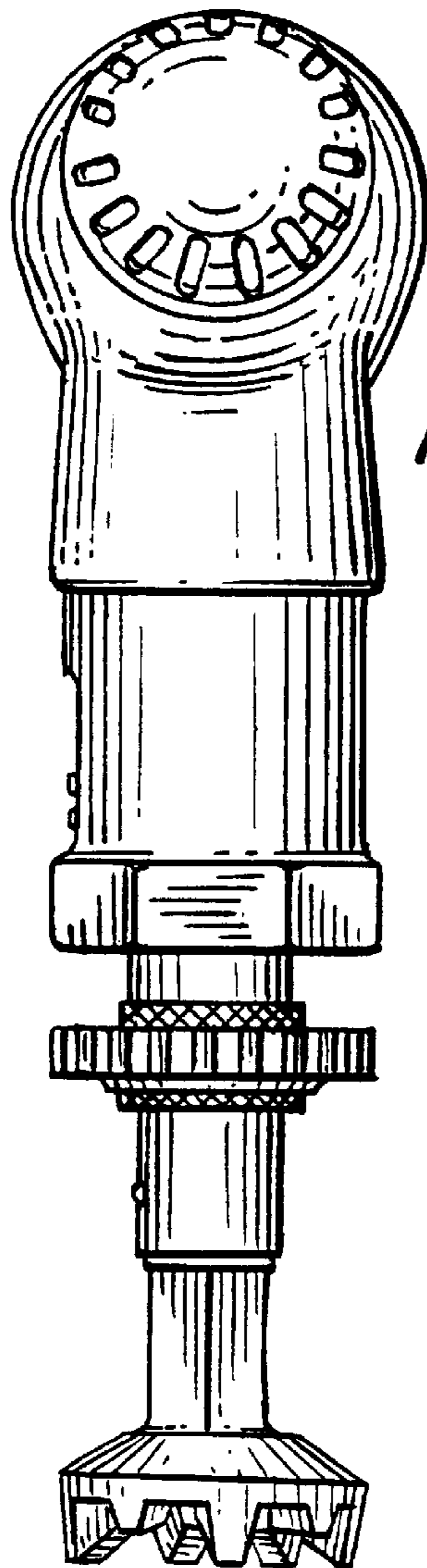


FIG. 10

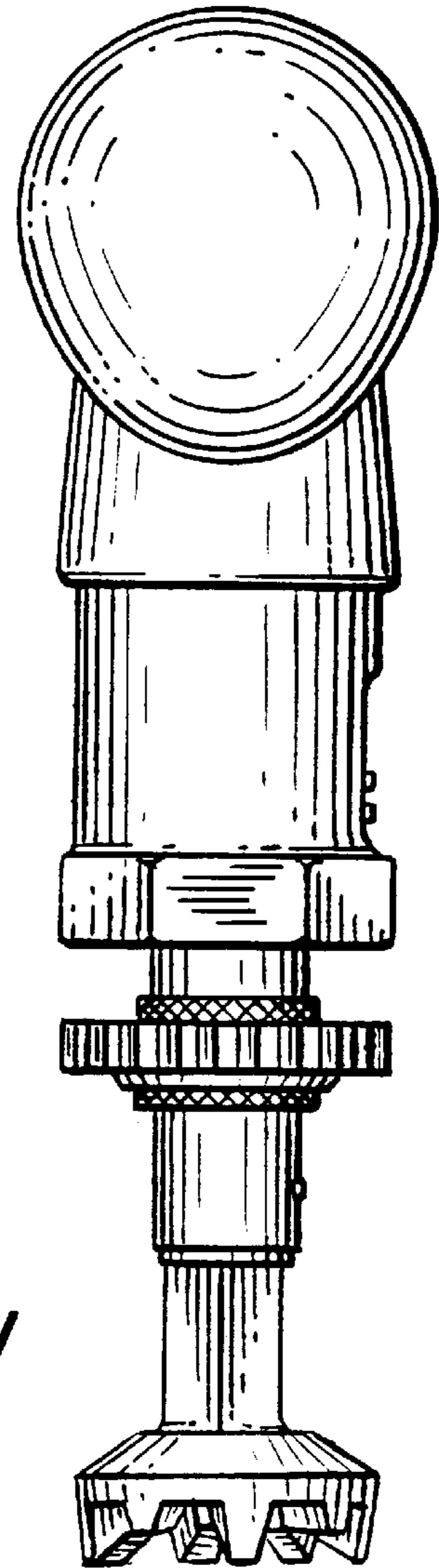


FIG. 11

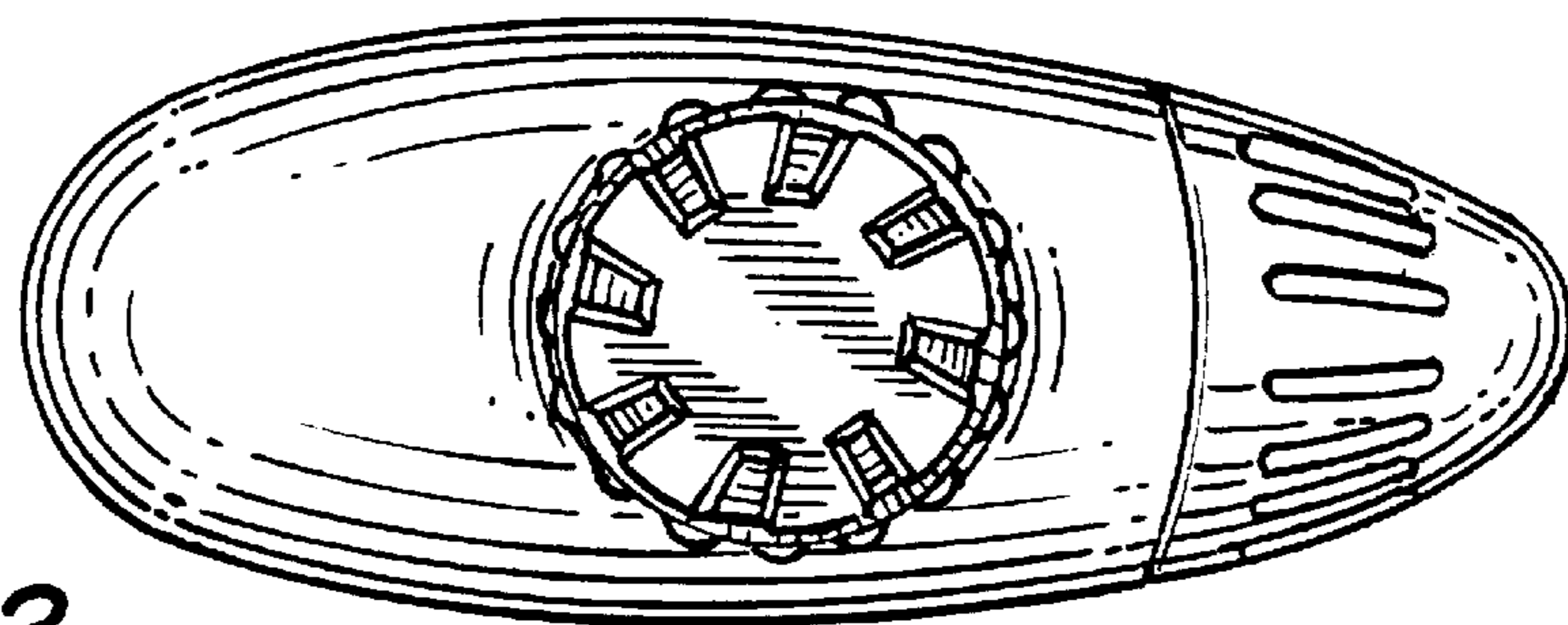


FIG. 12